



Light, a poem of space

Light is a poem that lights up the world.
No matter how dark it is,
When the light goes through the clouds,
We always feel warm and pleasure.
Now! It's time to shine the light into our lives,
Lighting romantic dreams between the nights.
Showing personality and talent in every detail of the space,
Which condenses the rough rhythm into delicate feeling,
Let the poetry in the dream melt into the space close by.
At every moment,
Feel the warmth and beauty of spring under the light.

SOMMAIRE

GALASSIA.....	014
LUNA.....	116
CENTAURO.....	238
LUPO	370
STELLA.....	424
LINEA.....	478
MINILINEA.....	524
PICCOLO.....	558
GRIGLIA.....	584
TITAMIA.....	668
ABBA	830
VENERE illumination	866

THE MORE DELICATE LIGHT MAKES YOU FEEL
A MORE DELICATE WORLD.

V.I.E.W.



We Are Lighting People,
And Light Is Our
Thought.



We are lighting people, have been working on lighting for 20 years.

Striving in manufacturing, every day is a rush, but we insist on details.

What kind of light does a red apple look most attractive?

What kind of light is used for a colorful painting?

How to illuminate the book to make the eyes most comfortable?

The quality of life is hidden in these details.

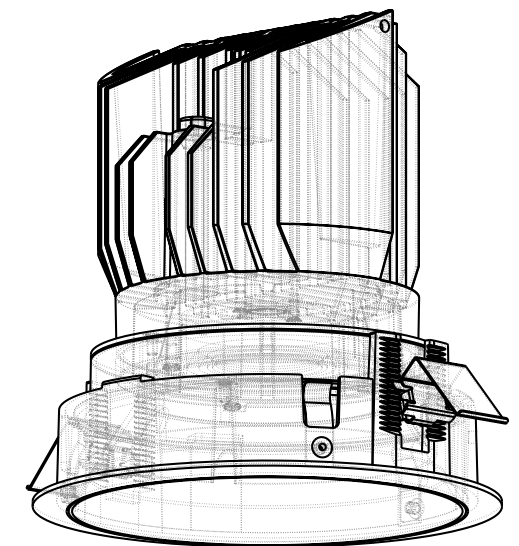
Although we are all busy, please don't let our life be rough.

11164LED
20W, 1421 lm
2700K
CRI > 90

LIGHTING
INSPIRING LIVING



LIGHT FIELD DESIGN EXPERT



Because of the light, we can see this world.
This world is so colorful, red, green, warm, cold,
bright, dark etc. Light is tightly integrated with the
world.
We hope that our lights is more than just lighting, and
deliver the aesthetics of space, so that we can feel the
integrity of the world better.
We consider lighting from multiple dimensions
including vision, aesthetics, architecture, environment,
and humanities. We design to integrate space and
light into a unique whole, and to create the unique
field of each space—the light field.

ENJOY LIGHTING

V.I.E.W.

Vision
Individual aesthetics
Environment
Wholeness


Good lighting is considerate.
With the concept of "Human Centric Lighting",
we have developed the V.I.E.W. Lighting Field
Design Rule by combining the lighting design
with the spatial characteristics and human
behavior and psychological feelings.
V.I.E.W. Lighting Field Design Rules are based
on the four dimensions of vision, individual
aesthetics, environment, and wholeness, and
design lighting according to the behavioral
scenes of different spaces, so that people in
the space have a pleasure lighting experience.



GALASSIA

Track		GR25 & GR25C ... <small>Recessed</small> 027
		GS25 ... <small>Surface mounted</small> 028
		GP25 ... <small>Pendant</small> 029


Linear		G251LED ... <small>Linear spot light</small> 038
		G252LED ... <small>Linear opal light</small> 044
		G253LED ... <small>Wall washer</small> 050

Spot light φ20mm		G201LED ... <small>Square / Single head</small> 066
		G203LED ... <small>Round / Single head</small> 066
		G202LED ... <small>Square / Double heads</small> 070
		G204LED ... <small>Round / Double heads</small> 070
		G205LED ... <small>Square / Triple heads</small> 072
		G206LED ... <small>Round / Triple heads</small> 072

Spot light φ35mm		G351LED ... <small>Single head</small> 076
		G353LED ... <small>Double heads</small> 078
		G358LED & G3510LED 082

Spot light φ50mm		G501LED ... <small>φ50mm</small> 086
---------------------	---	--

Focusing spotlight φ35mm		G352LED ... <small>Single head</small> 092
		G354LED ... <small>Double heads</small> 096
		G357LED & G359LED 100
		G356LED ... <small>Slim shape</small> 102

Pendant light		G355LED ... <small>φ35mm</small> 106
		G503LED ... <small>φ50mm</small> 108

Decorative light		G751LED 114
---------------------	--	-------------------



*Light is such a beautiful thing, that Rembrandt,
almost with this only means, made admirable
pictures.*

*Joseph Joubert
French writer (1754-1824)*



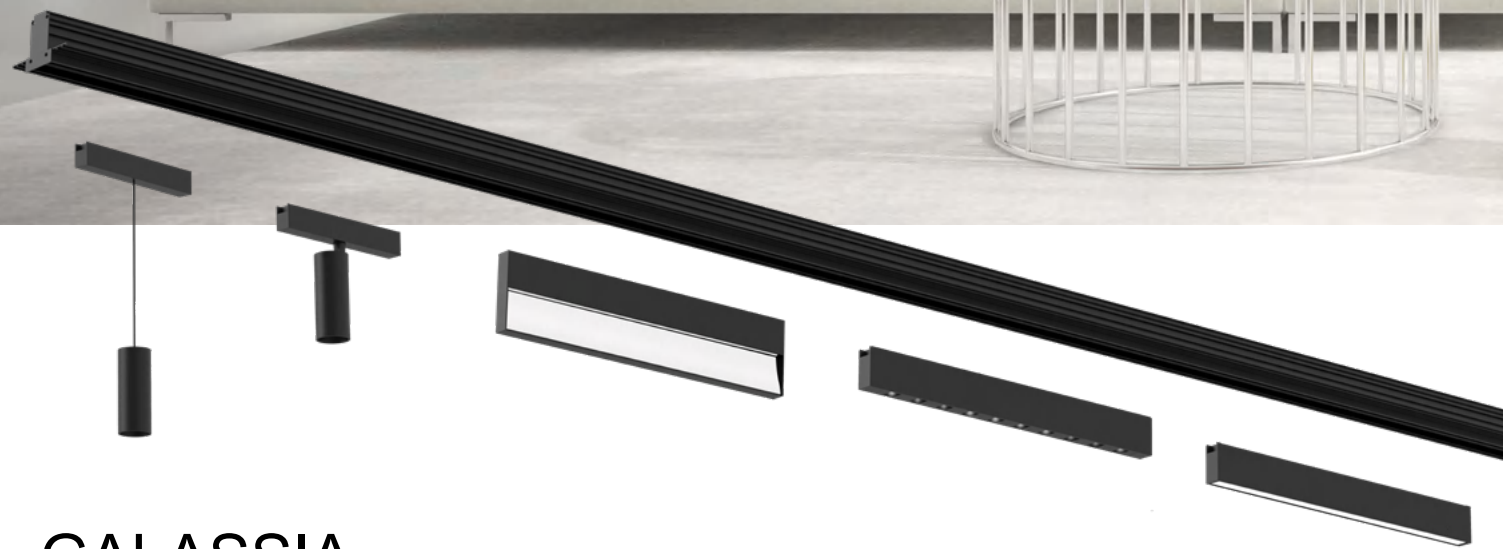


GALASSIA is a full family of extruded aluminium profile system as recessed, surface mounted, and suspended versions, with toolfree installation of various inserts based on the principle of magnetic attraction. Various optical inserts are including spot light, pendant light, linear spot light, linear opal light, wall washer asymmetric light. Different inserts are held in place

by magnetic force along the entire track. When the interior environment is changed, this system allows user to relocate the different inserts flexibly, or slide them to any position by one hand movement to highlight the objects.

GALASSIA trimless profile system with a seamless design offers consistent aesthetics and complete solutions for residen-

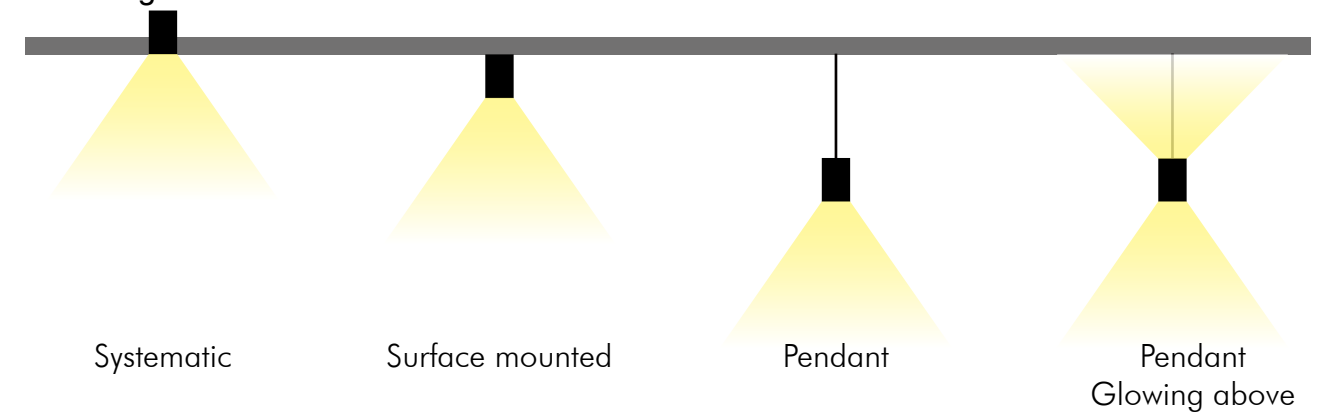
tial, hospitality, retail and commercial applications. The profiles can run across walls and ceilings, creating three-dimensional continuous lines of light emphasizing the geometry of the room and maintaining a minimalist, elegant look. Surface-mounted and pendant versions can be applied with the same flexible system.



GALASSIA



Mounting:

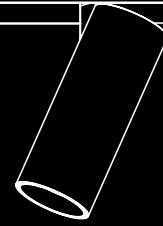


Systematic

Surface mounted

Pendant

Pendant
Glowing above



GALASSIA magnetic track lighting system

Convenient

Based on the principle of magnetic attraction, the structure of magnetic attraction is embedded, and various lamps modules can be installed without tools to increase the sense of scientific and technological experience; different modules can be moved and replaced at any time according to the actual situation of the scene to meet different lighting design requirements, which is simple and convenient to operate.

Exquisite

Aluminum alloy shape lamp body, compact size, good concealment, more concise appearance of the lamps, abandoned the appearance of the previous ordinary track external electrical box, directly in a simple and compact geometry, so that the lamps can be integrated into the elements of space more perfectly.

Diversified

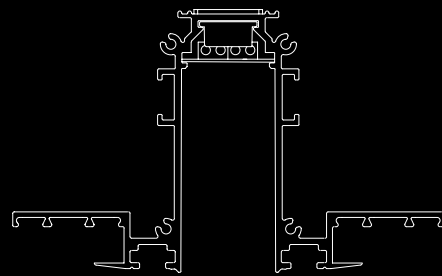
The magnetic track is combined into different shapes by different track groove fittings. These profiles can pass through the walls and ceilings to create three-dimensional continuous light, highlighting the geometry of the room, maintaining a simple, elegant appearance and meeting the overall layout of the space.

Systematic

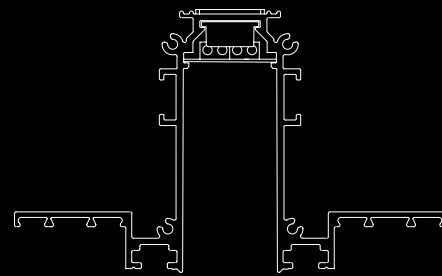
The system uses 48V low-voltage power supply, safe, efficient, energy-saving, conductive substrates using gold deposition technology, covering high conductive black carbon oil, with good effect and excellent performance; each optical module can use BLUETOOTH or DALI signal to carry out independent single-point control switch and dimming, to achieve a more systematic lighting scheme, a space can easily achieve general lighting, accent lighting, wall washer lighting, local lighting, department lighting and so on.



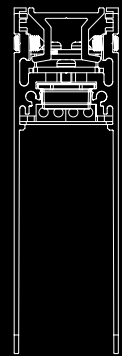
Systematic



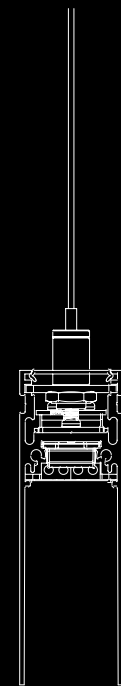
Systematic



DC48V



Surface mounted

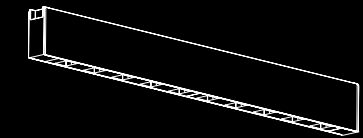


Pendant

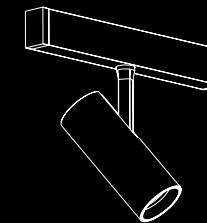
Optical inserts



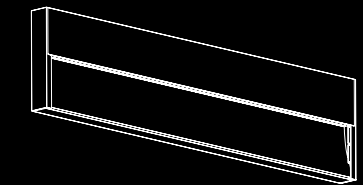
Linear opal light



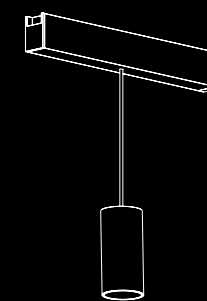
Linear spot light



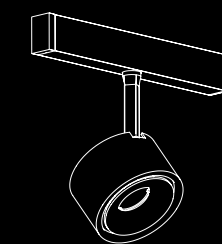
Spot light



Wall washer



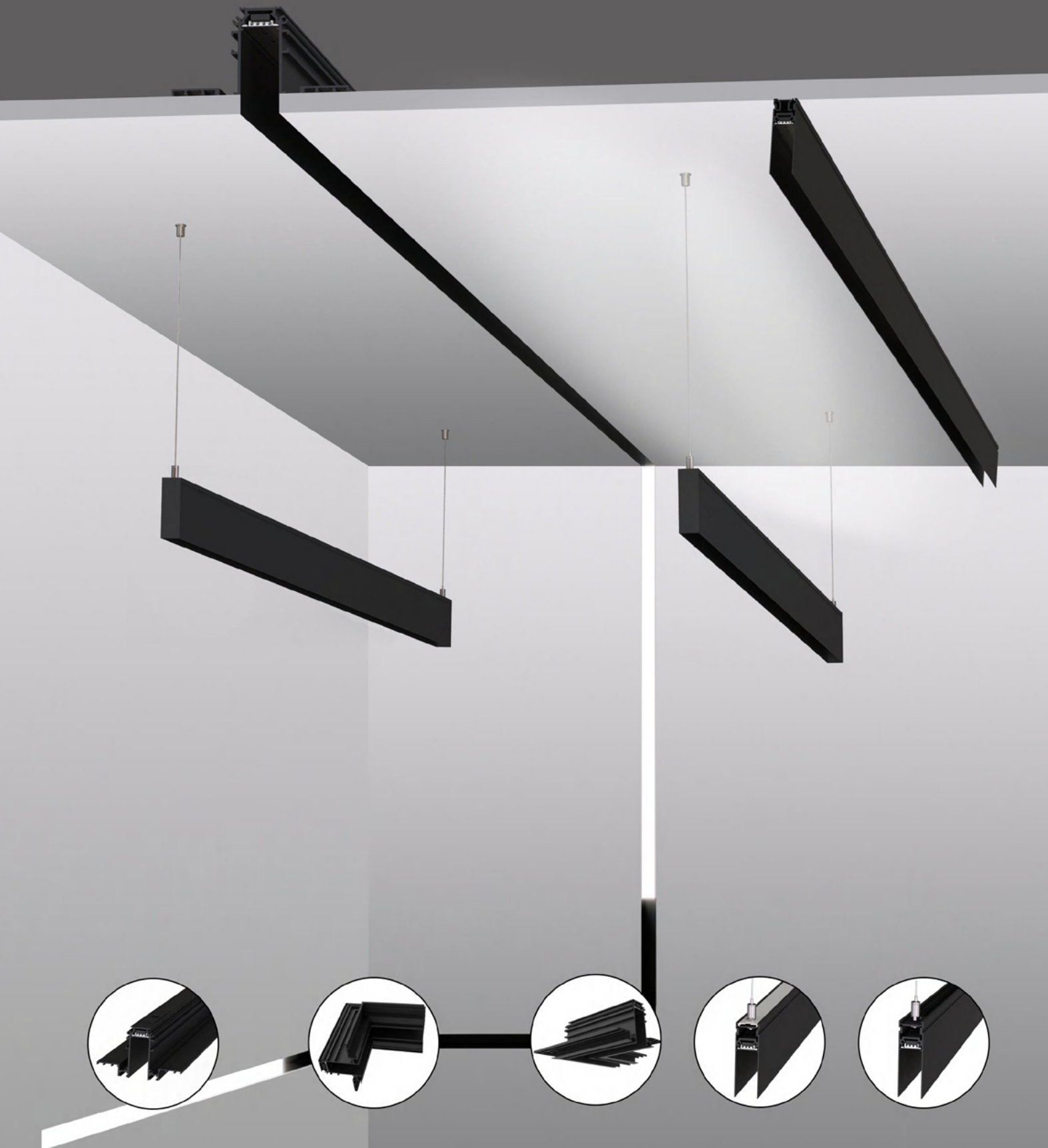
Pendant light



Decorative light

Recessed Version

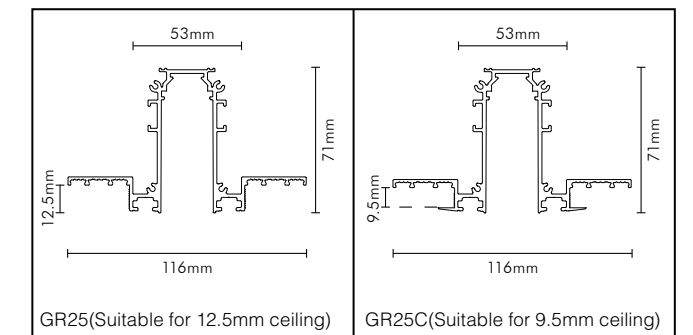
GR25 & GR25C



Track Components

Model No.	Dimension
GR25-500(Power section)	L500*W116*H71mm
GR25-1000(Power section)	L1000*W116*H71mm
GR25-500(Splicing section)	L500*W116*H71mm
GR25-1000(Splicing section)	L1000*W116*H71mm
GR25C-500(Power section)	L500*W116*H71mm
GR25C-1000(Power section)	L1000*W116*H71mm
GR25C-500(Splicing section)	L500*W116*H71mm
GR25C-1000(Splicing section)	L1000*W116*H71mm

Technical drawing



Accessories

<p>Model No.:GR251 Horizontal Corner: 90° corner between the same plane. (Suitable for 12.5mm ceiling)</p>	<p>Model No.:GR252 Vertical Corner: 90° between different planes, such as walls to ceilings.(Suitable for 12.5mm ceiling)</p>	<p>Model No.:GR253 External Corner: 90° corner between different planes, such as the corner of the surface of a square column.(Suitable for 12.5mm ceiling)</p>	<p>Model No.:GR25-01 M-Track Recessed Profile Feed-In Kit.</p>
<p>Model No.:GR251C Horizontal Corner: 90° corner between the same plane. (Suitable for 9.5mm ceiling)</p>	<p>Model No.:GR252C Vertical Corner: 90° between different planes, such as walls to ceilings.(Suitable for 9.5mm ceiling)</p>	<p>Model No.:GR253C External Corner: 90° corner between different planes, such as the corner of the surface of a square column.(Suitable for 9.5mm ceiling)</p>	<p>Model No.:GR25-02 M-Track Recessed Profile End Cap.</p>
			<p>Model No.:GR25-04 Assembly tool-Allen wrench.</p>

Surface mounted Version

GS25



Pendant Version

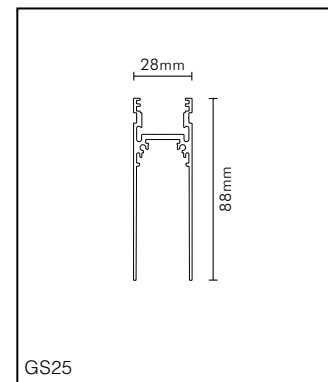
GP25



Track Components

Model No.	Dimension
GS25-1000(Power section)	L1000*W28*H88mm
GS25-2000(Power section)	L2000*W28*H88mm
GS25-500(Splicing section)	L500*W28*H88mm
GS25-1000(Splicing section)	L1000*W28*H88mm
GS25-2000(Splicing section)	L2000*W28*H88mm

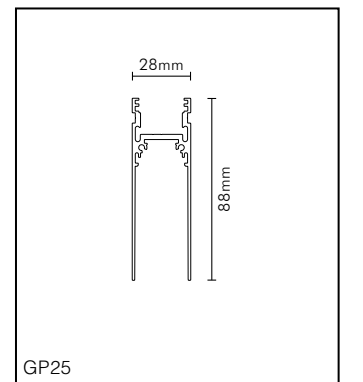
Technical drawing



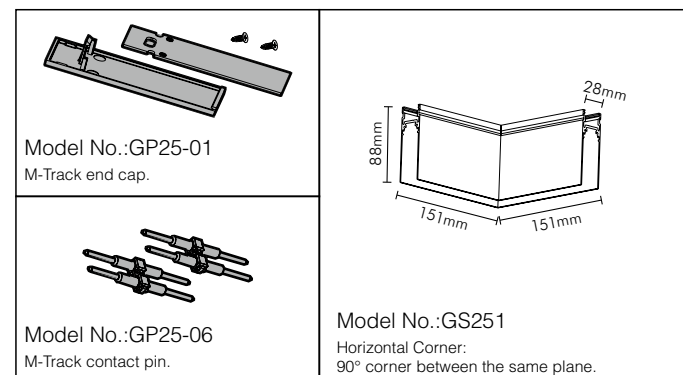
Track Components

Model No.	Dimension
GP25-500(Power section)	L500*W28*H88mm
GP25-1000(Power section)	L1000*W28*H88mm
GP25-2000(Power section)	L2000*W28*H88mm
GP25-2500(Power section)	L2500*W28*H88mm
GP25-500(Splicing section)	L500*W28*H88mm
GP25-1000(Splicing section)	L1000*W28*H88mm
GP25-2000(Splicing section)	L2000*W28*H88mm
GP25-2500(Splicing section)	L2500*W28*H88mm
GP25-2000Glowing above(Power section)	L2000*W28*H88mm
GP25-2500Glowing above(Power section)	L2500*W28*H88mm
GP25-2000Glowing above(Splicing section)	L2000*W28*H88mm
GP25-2500Glowing above(Splicing section)	L2500*W28*H88mm

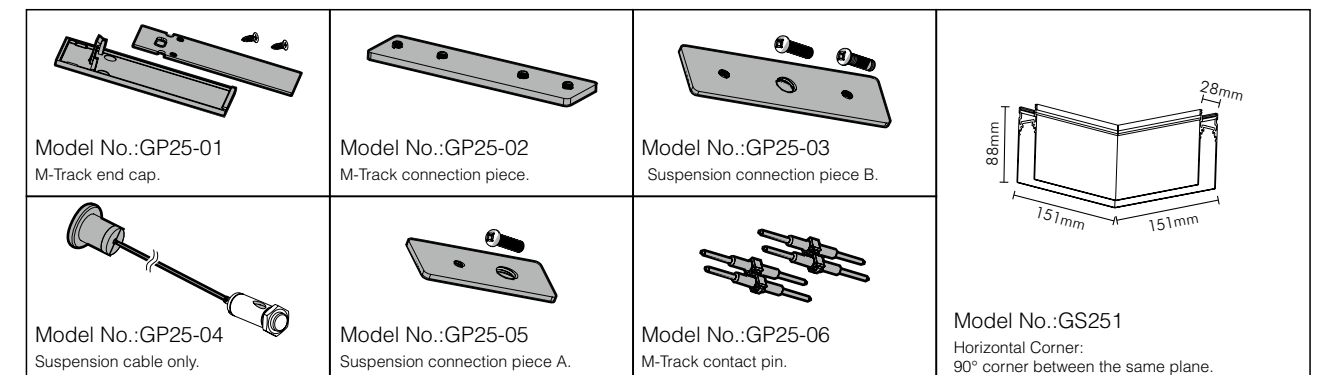
Technical drawing



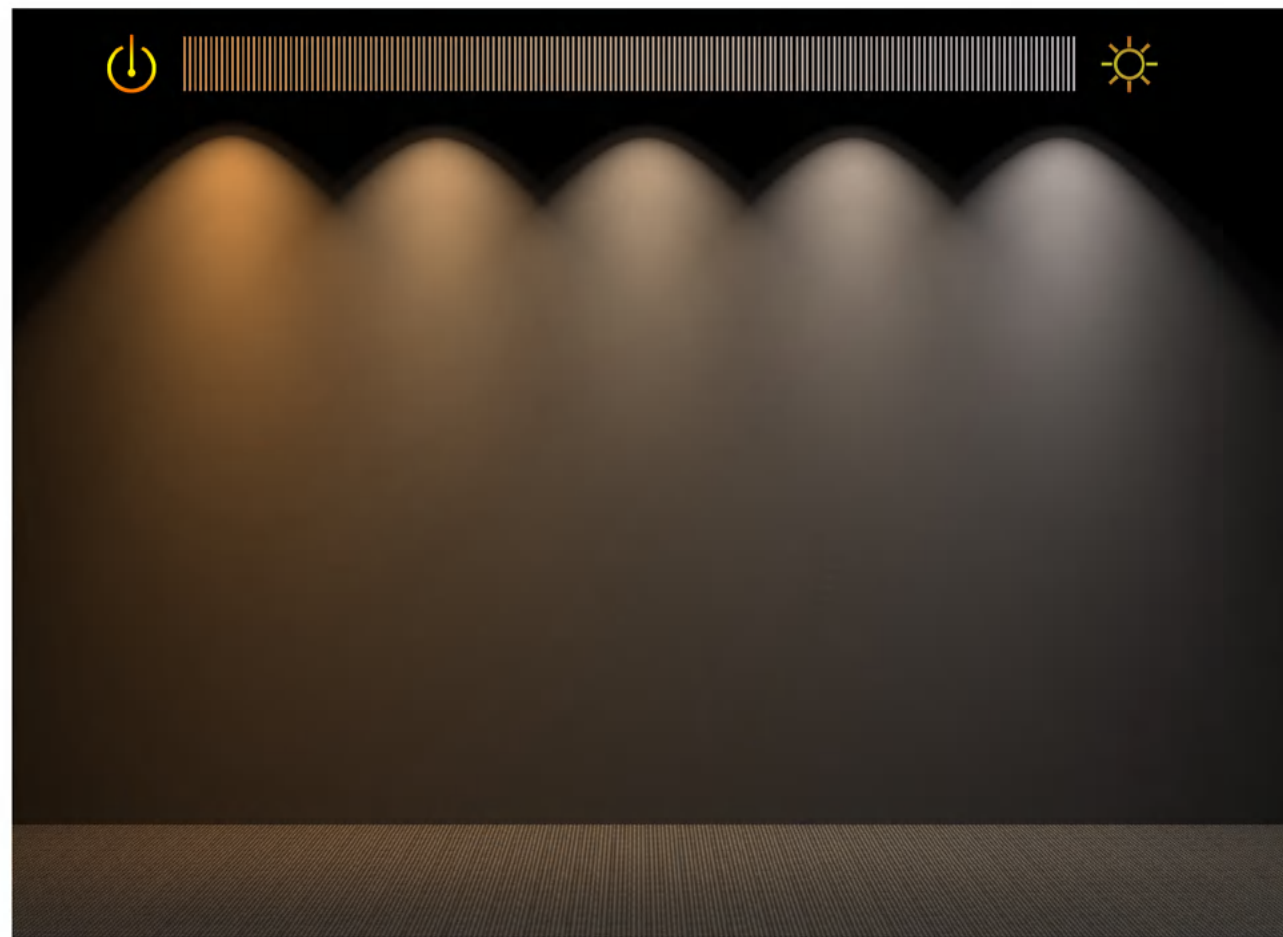
Accessories



Accessories

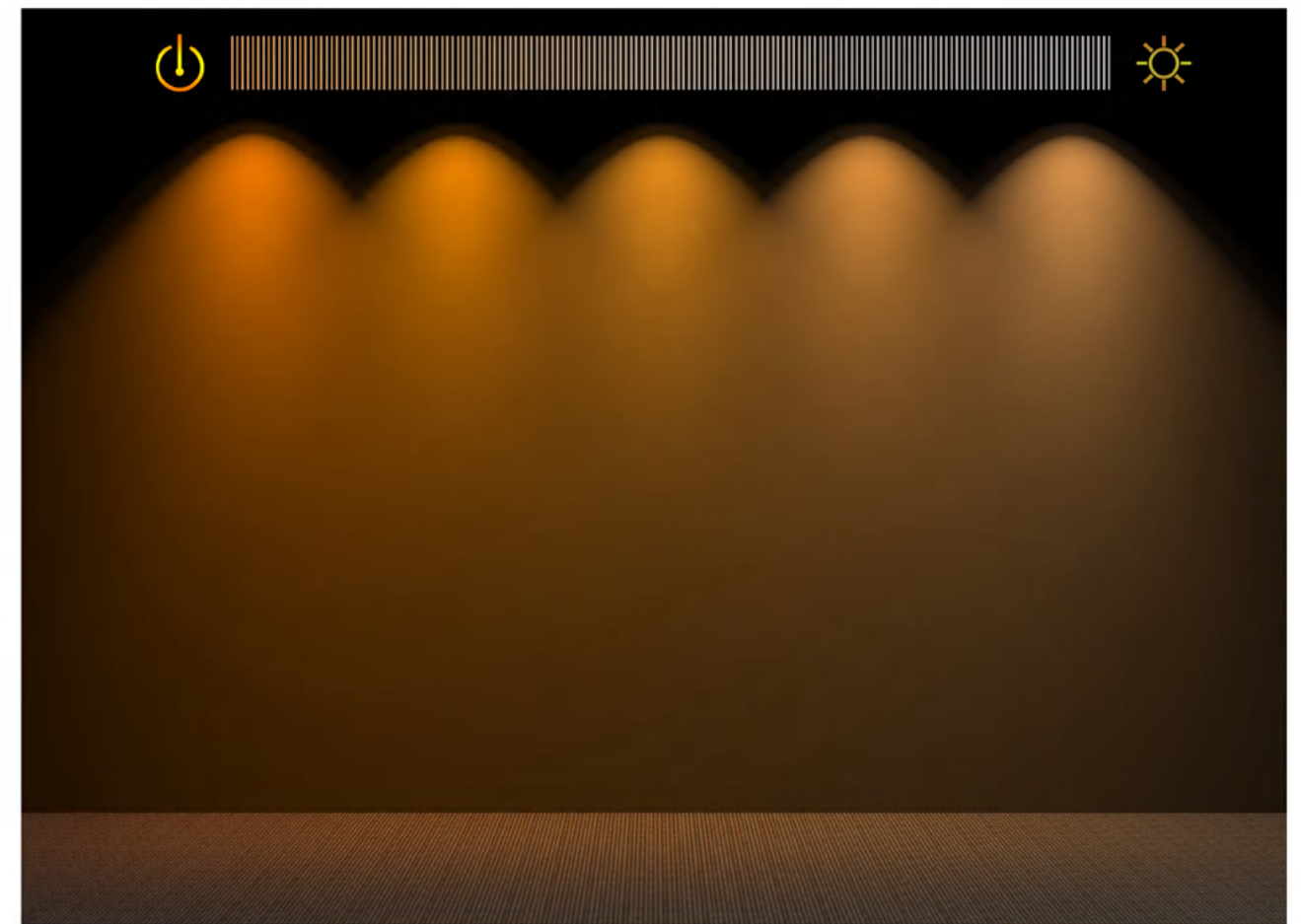






TW - Tunable White

Tunable White is also known as Human Centric Lighting or Dynamic lighting. The lighting system allows the colour temperature to be continuously adjusted from warm light(2700K) to cool light(5700K/6000K/6500K), to achieve "imitate" sunlight during the day, help to support the circadian rhythm and create the best possible conditions both at work and in our homes.



DTW - Dim To Warm

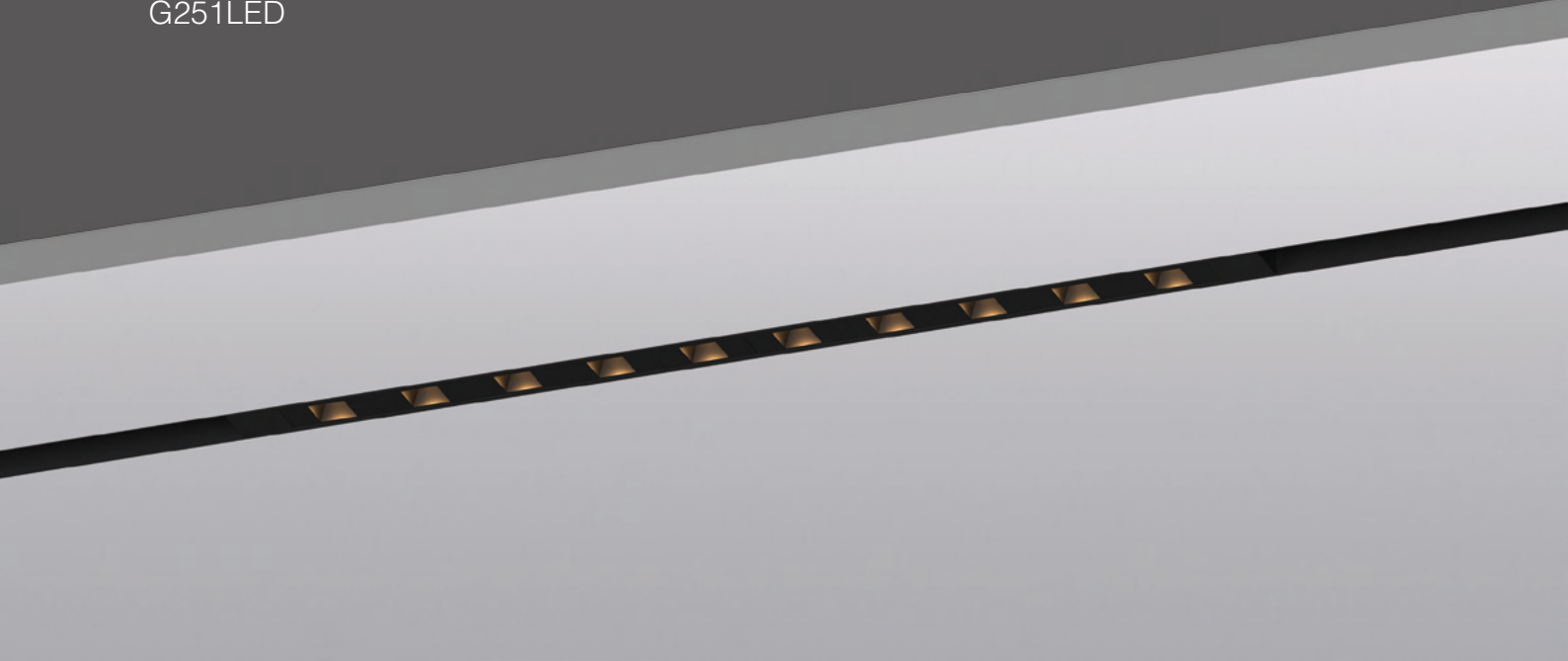
Warm light quality with reduced illuminance. The function supports reduces the light intensity while continuously changing the colour temperature between 2700K and 1800K, which provides perfect, warm comfortable lighting.





GALASSIA

G251LED



Quickinfo

GENERAL

Magnetic
DC 48V
IP20

LED

OSRAM
10x1.2W
2700K, 3000K, 4000K, 5000K, TW
50000h@L80
CRI≥90
SDCM: 5

OPTICAL

Direct illumination
Beam angle 15°/24°/33°/19°x48°
Optical accessories

ELECTRICAL

NON-DIM
1-10V
DALI
BLUETOOTH

PHYSICAL

Aluminum



RoHS



Description

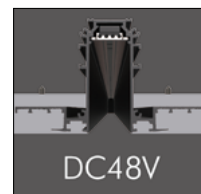
Magnetic suction installation. The grille design of completely hidden lamp makes the light softer, so you will feel more comfortable in the space.

Tunable White allows the colour temperature to be continuously adjusted from warm light to cool light.

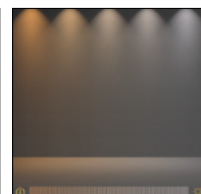
Applications

Showrooms, Restaurants, Star-rated Hotels, Villas, Residential buildings, etc.

Features



DC48V



Standard configuration

COLOUR TEMPERATURE

2700K
3000K

CONTROL

NON-DIM

OPTICAL

15°/24°/33°/19°x48°

COLOUR(housing)

Black

COLOUR(reflector)

Black

Extended configuration

COLOUR TEMPERATURE

4000K
5000K

CONTROL

DALI, 1-10V

Options on request

COLOUR TEMPERATURE

TW(2700K~5700K)

CONTROL

BLUETOOTH

Parameters

POWER	DC INPUT	CCT	LUMINOUS FLUX
10x1.2W	48V	2700K	420~800 lm
		3000K	429~812 lm

Test standards:
OSRAM COB, CRI 90, tolerance range of electrical and optical parameters: ±10%.

Light Distribution

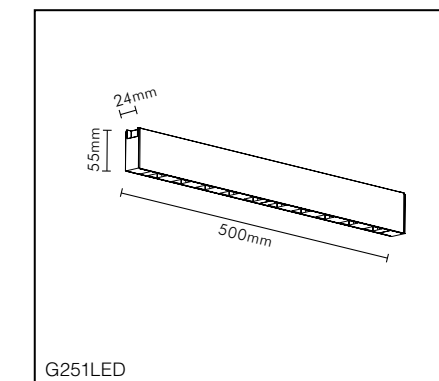
12W 15° 3000K Ra90			12W 24° 3000K Ra90			12W 33° 3000K Ra90			12W 19°x48° 3000K Ra90		
H(m)	E(lx)	D(m)	H(m)	E(lx)	D(m)	H(m)	E(lx)	D(m)	H(m)	E(lx)	D(m)
1	2914	0.29	1	2939	0.40	1	2280	0.51	1	2020	0.32
2	729	0.58	2	735	0.81	2	570	1.01	2	505	0.63
3	324	0.87	3	327	1.21	3	253	1.52	3	225	0.95
4	182	1.16	4	184	1.61	4	143	2.02	4	126	1.26
5	117	1.45	5	118	2.01	5	91	2.53	5	81	1.58

Light effect and planning aid



Emphasis of objects or architectural elements.

Technical drawing



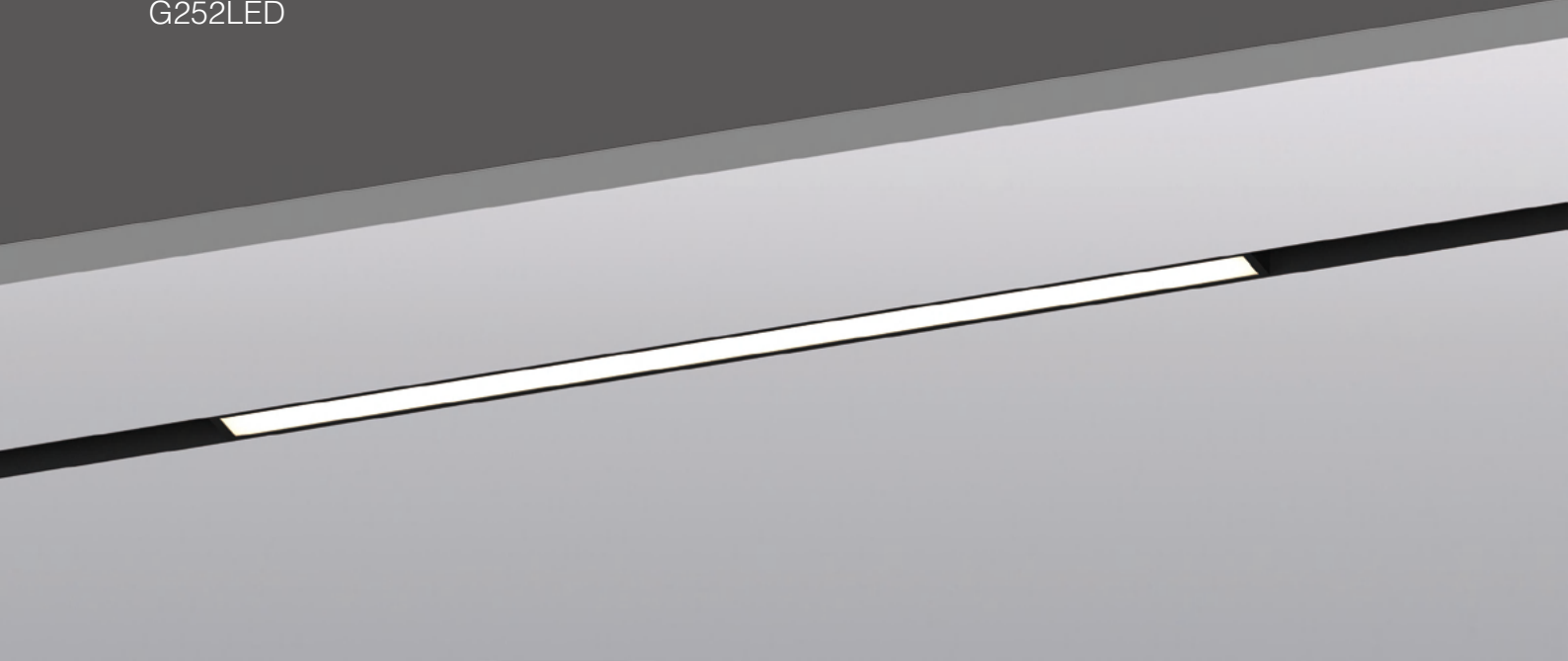
G251LED





GALASSIA

G252LED



Quickinfo

GENERAL

Magnetic
DC 48V
IP20

LED

OSRAM
15W
2700K, 3000K, 4000K, 5000K, TW
50000h@L80
CRI≥90
SDCM: 5

OPTICAL

Direct illumination
Extra wide flood
Optical accessories

ELECTRICAL

NON-DIM
1-10V
DALI
BLUETOOTH

PHYSICAL

Aluminum



RoHS



Description

Magnetic suction installation. Beautiful linear design can outline the space shape and provide you with an atmosphere of sentiment. Tunable White allows the colour temperature to be continuously adjusted from warm light to cool light.

Applications

Showrooms, Restaurants, Star-rated Hotels, Villas, Residential buildings, etc.

Features



Standard configuration

COLOUR TEMPERATURE

2700K
3000K

CONTROL

NON-DIM

OPTICAL

Extra wide flood

COLOUR(housing)

Black

COLOUR(reflector)

Black

Extended configuration

COLOUR TEMPERATURE

4000K
5000K

CONTROL

DALI, 1-10V

Options on request

COLOUR TEMPERATURE

TW(2700K~6500K)

CONTROL

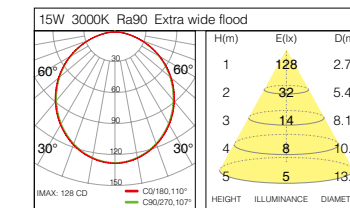
BLUETOOTH

Parameters

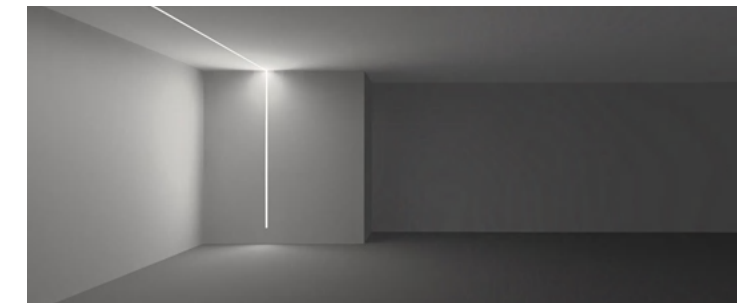
POWER	DC INPUT	CCT	LUMINOUS FLUX
15W	48V	2700K	325 lm
		3000K	350 lm

Test standards:
OSRAM COB, CRI 90, tolerance range of electrical and optical parameters: ±10%.

Light Distribution

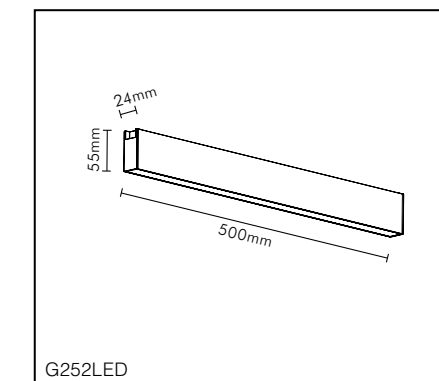


Light effect and planning aid



Emphasis of objects or architectural elements.

Technical drawing



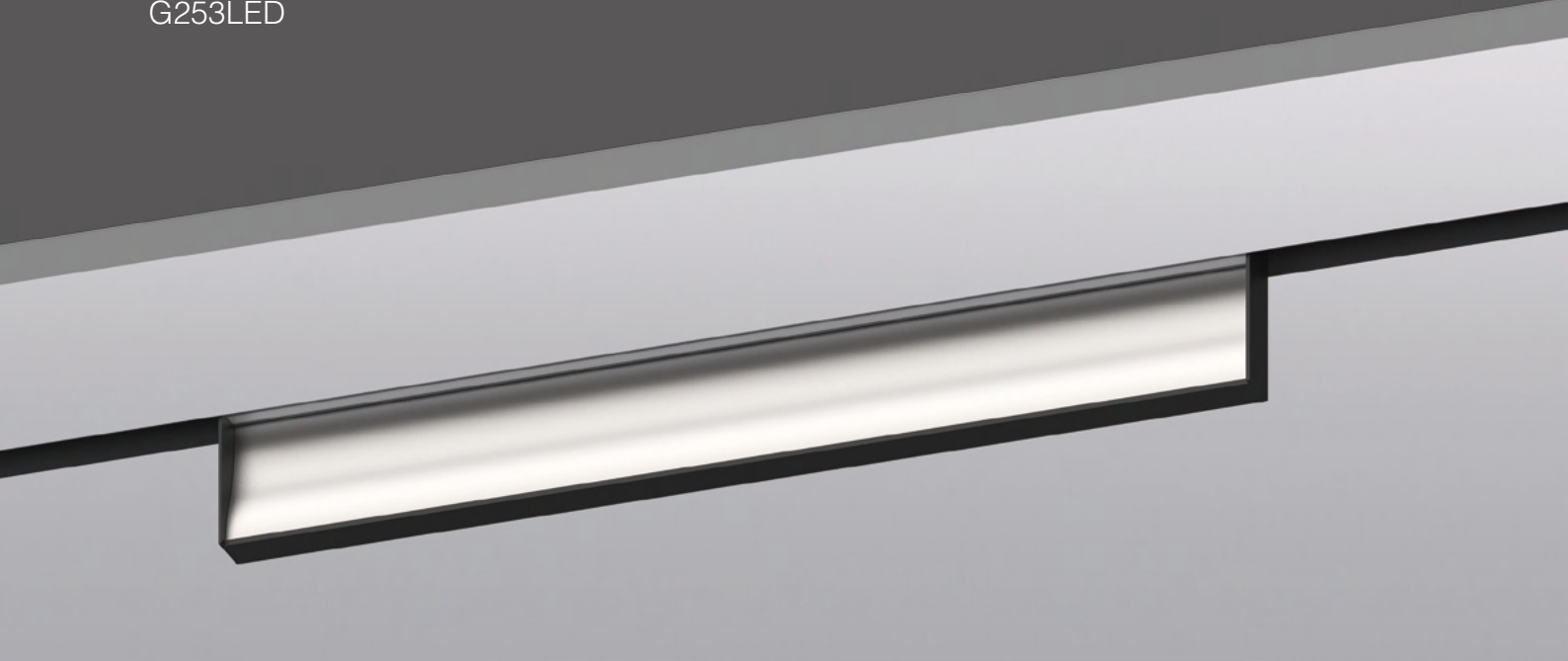
G252LED





GALASSIA

G253LED



Quickinfo

GENERAL
Magnetic
DC 48V
IP20

LED
OSRAM
15W
2700K, 3000K, 4000K, 5000K
50000h@L80
CRI≥90
SDCM: 5

OPTICAL
Optical Tilt 45°(Beam angle 45°x140°)

ELECTRICAL
NON-DIM,
1-10V,
DALI,
BLUETOOTH

PHYSICAL
Aluminum



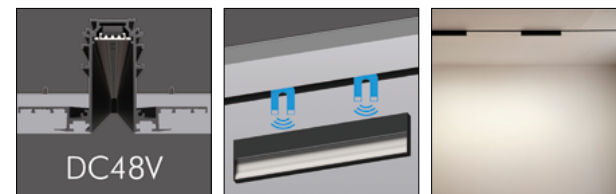
Description

Magnetic suction installation. The rough appearance conforms to its unique wall washing personality, which can provide you with a large area of soft wall washing effect.

Applications

Showrooms, Restaurants, Star-rated Hotels, Villas, Residential buildings, etc.

Features



Standard configuration

COLOUR TEMPERATURE
2700K
3000K

CONTROL
NON-DIM

OPTICAL
Optical Tilt 45°(Beam angle 45°x140°)

COLOUR(housing)
Black

COLOUR(reflector)
Silver

Extended configuration

COLOUR TEMPERATURE
4000K
5000K

CONTROL
DALI, 1-10V

Options on request

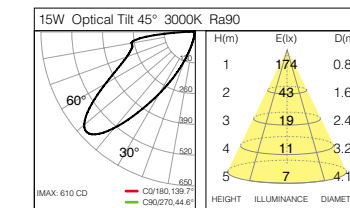
CONTROL
BLUETOOTH

Parameters

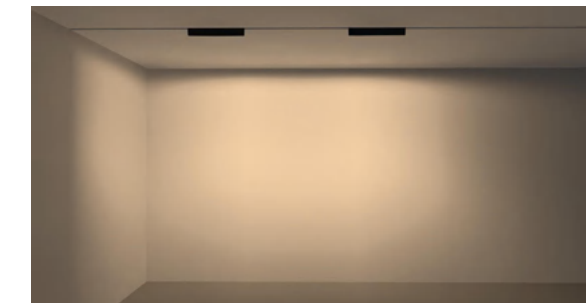
POWER	DC INPUT	CCT	LUMINOUS FLUX
15W	48V	2700K	590 lm
		3000K	598 lm

Test standards:
OSRAM COB, CRI 90, tolerance range of electrical and optical parameters: ±10%.

Light Distribution

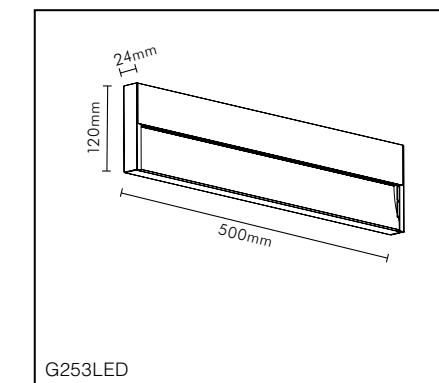


Light effect and planning aid

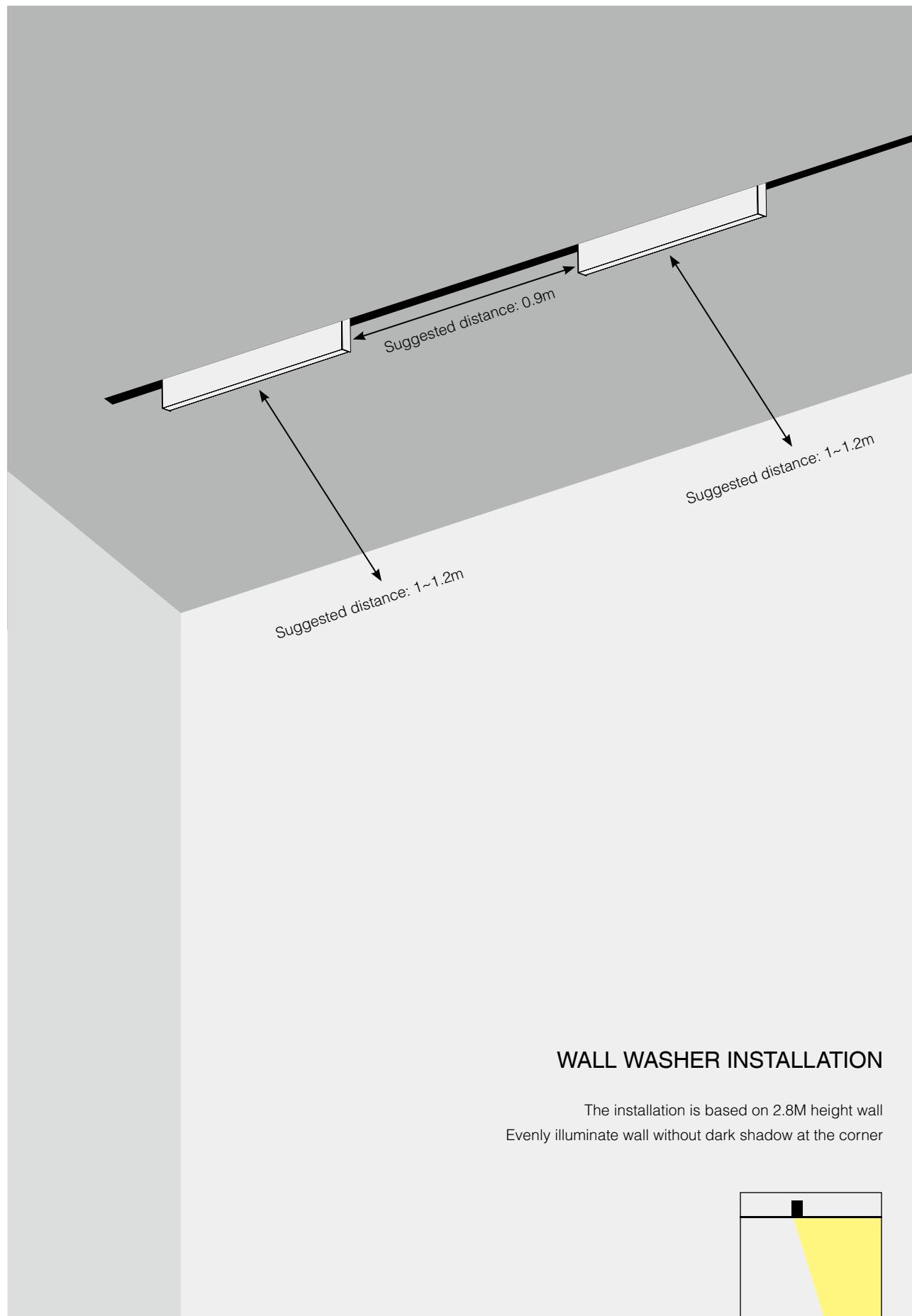


Emphasis of objects or architectural elements.

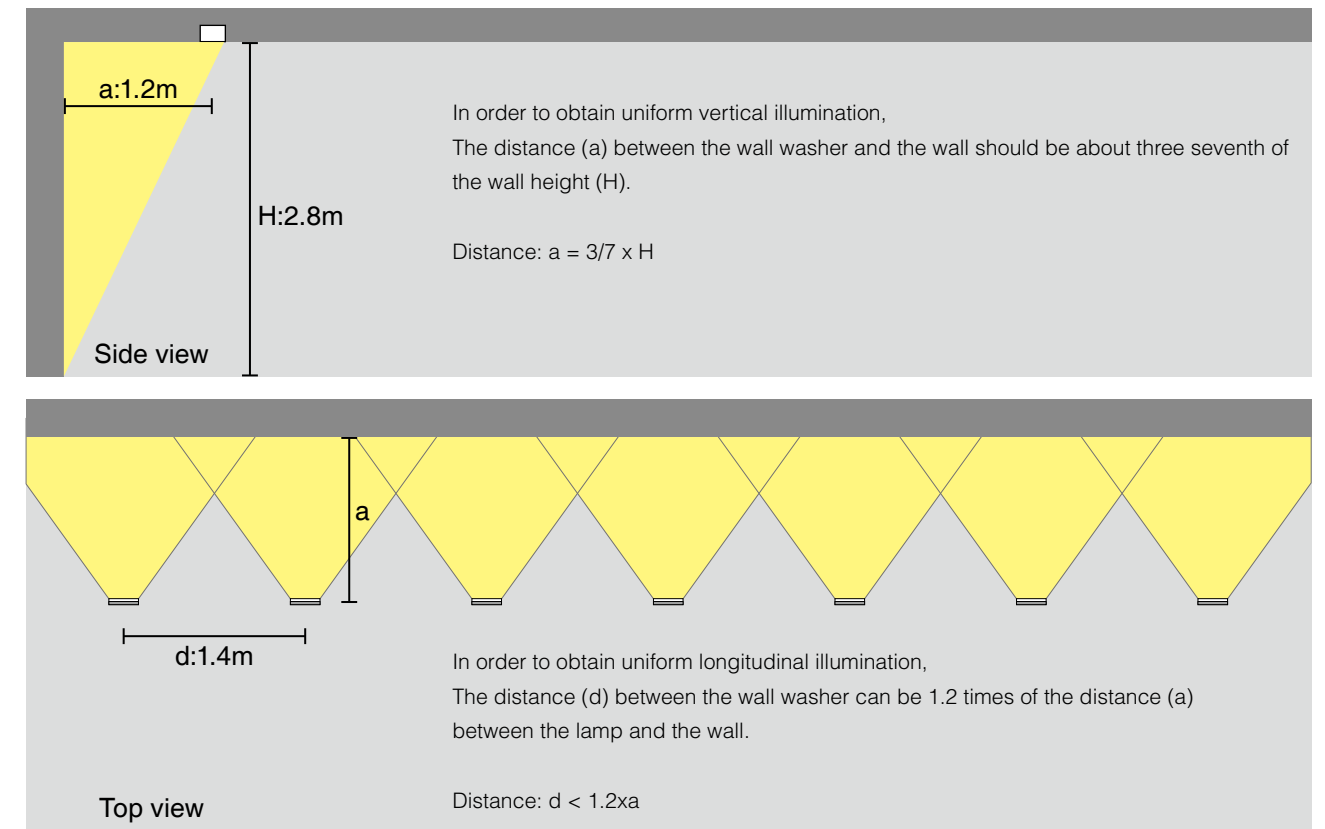
Technical drawing

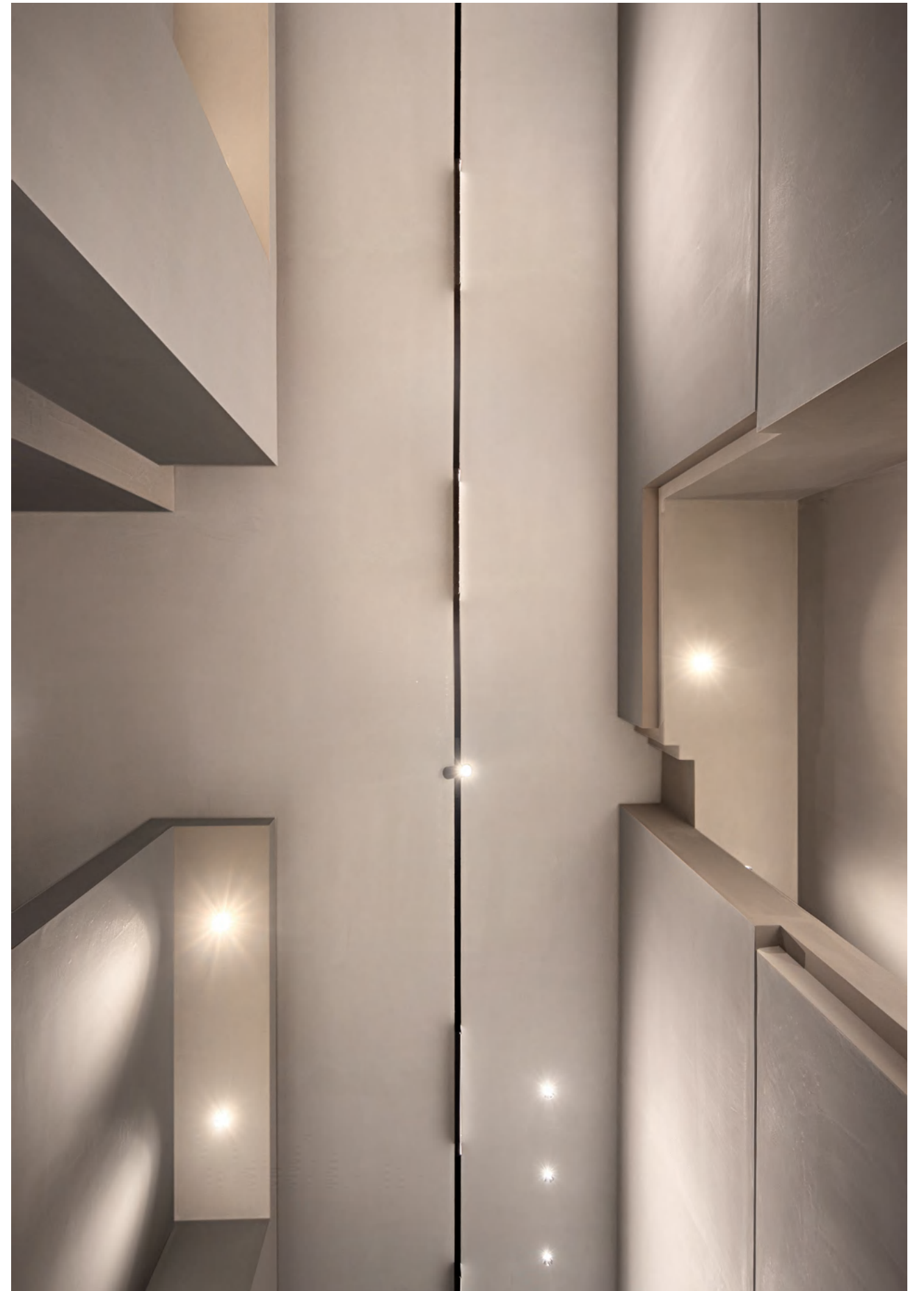


G253LED



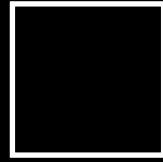
Installation specifications



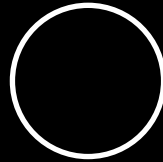




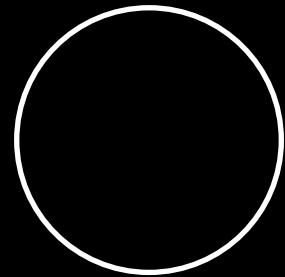
Size



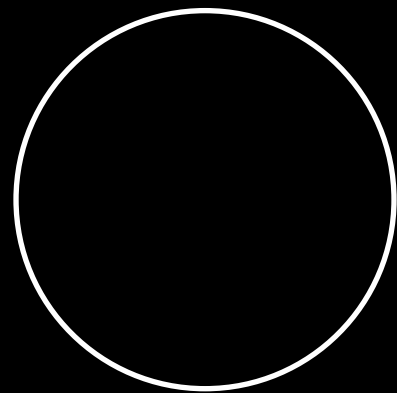
square
20mm



round
20mm

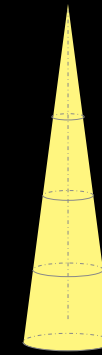


round
35mm

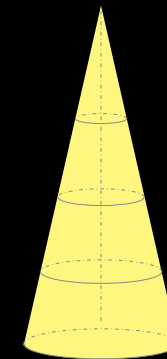


round
50mm

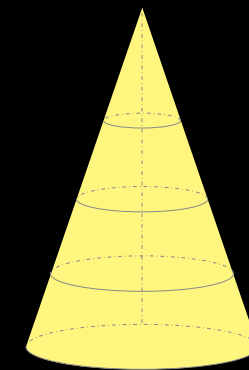
Optical



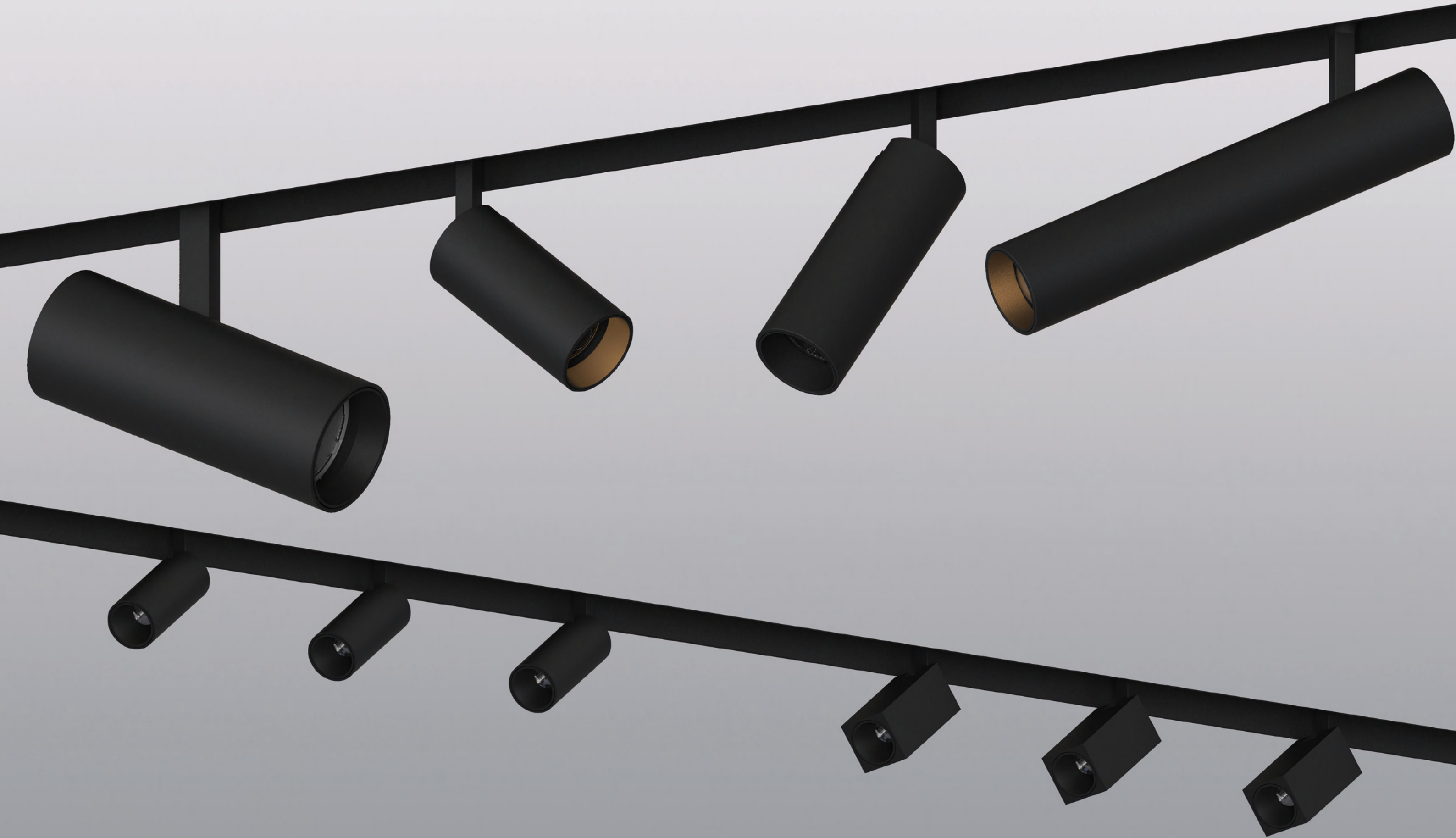
spot



med.



flood

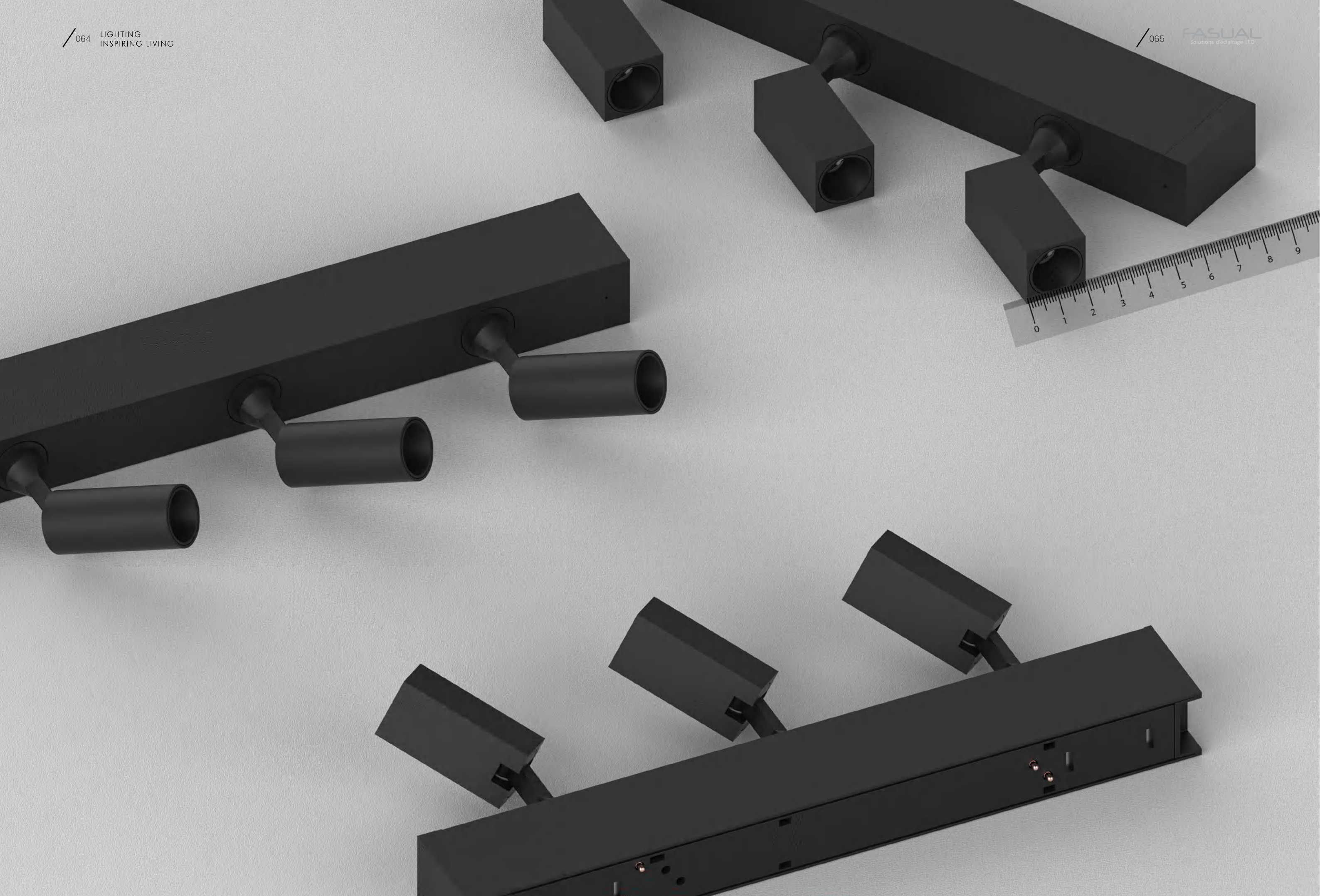




Magnetic S-Spotlight

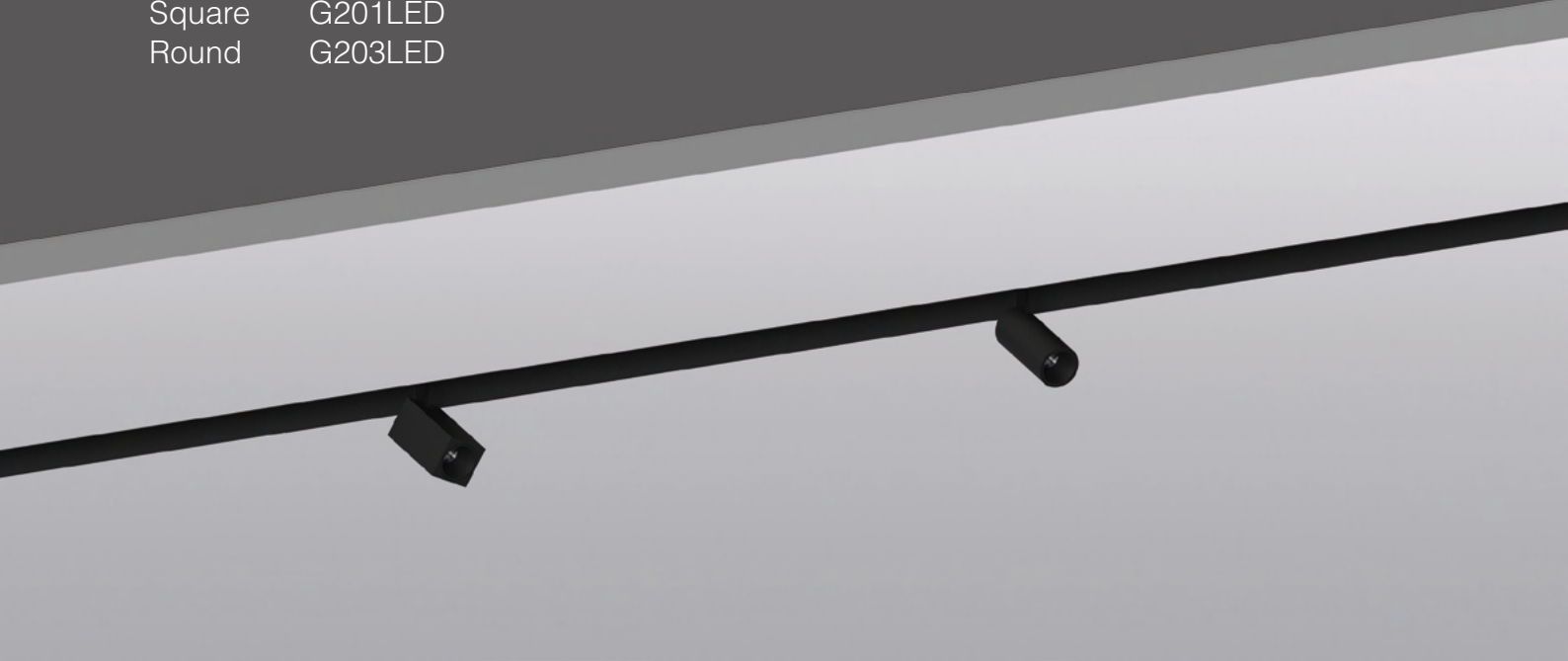
Small and exquisite, the diameter of the lamp body is only 20mm; You will get various product styles, achieves single, double, or triple combination, as well as the flexible changing between square and round styles.





GALASSIA

Square G201LED
Round G203LED



Quickinfo

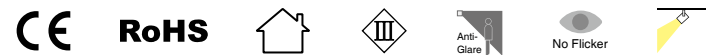
GENERAL
Magnetic
DC 48V
IP20

LED
OSRAM
1W, 3W
2700K, 3000K, 4000K, 5000K
50000h@L80
CRI≥90
SDCM: 5

OPTICAL
Direct illumination
Beam angle 15°/24°/33°
Optical accessories

ELECTRICAL
NON-DIM
1-10V
DALI
BLUETOOTH

PHYSICAL
Aluminum



Description

Magnetic suction installation. Single head square/round design, finger hole size, make the environment design without main lamp become more exquisite, the lamp can be fully integrated into the space.

Applications

Showrooms, Restaurants, Star-rated Hotels, Villas, Residential buildings, etc.

Features



Standard configuration

COLOUR TEMPERATURE
2700K
3000K

CONTROL
NON-DIM

OPTICAL
15°/24°/33°

COLOUR(housing)
Black

COLOUR(reflector)
Black

Extended configuration

COLOUR TEMPERATURE
4000K
5000K

CONTROL
DALI, 1-10V

Options on request

CONTROL
BLUETOOTH

Parameters

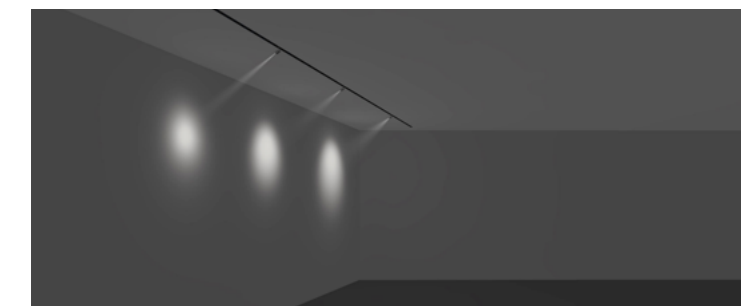
POWER	DC INPUT	CCT	LUMINOUS FLUX
1W	48V	2700K 3000K	47~72 lm 48~78 lm
3W	48V	2700K 3000K	79~124 lm 82~134 lm

Test standards: OSRAM COB, CRI 90, tolerance range of electrical and optical parameters: ±10%.

Light Distribution

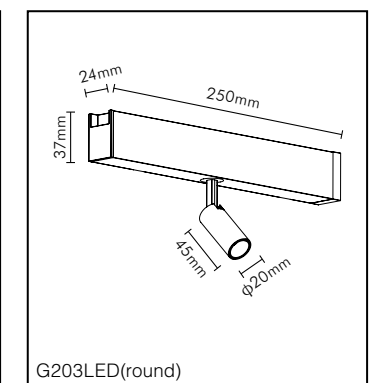
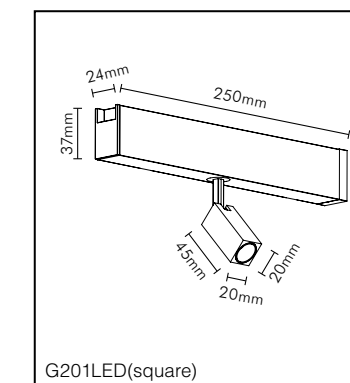
3W 15° 3000K Ra90			3W 24° 3000K Ra90			3W 33° 3000K Ra90		
H(m)	E(lx)	D(m)	H(m)	E(lx)	D(m)	H(m)	E(lx)	D(m)
1	695	0.25	1	542	0.37	1	435	0.52
2	174	0.51	2	135	0.74	2	109	1.04
3	77	0.76	3	61	1.11	3	48	1.55
4	43	1.01	4	34	1.48	4	27	2.07
5	28	1.27	5	22	1.85	5	17	2.59

Light effect and planning aid



Emphasis of objects or architectural elements.

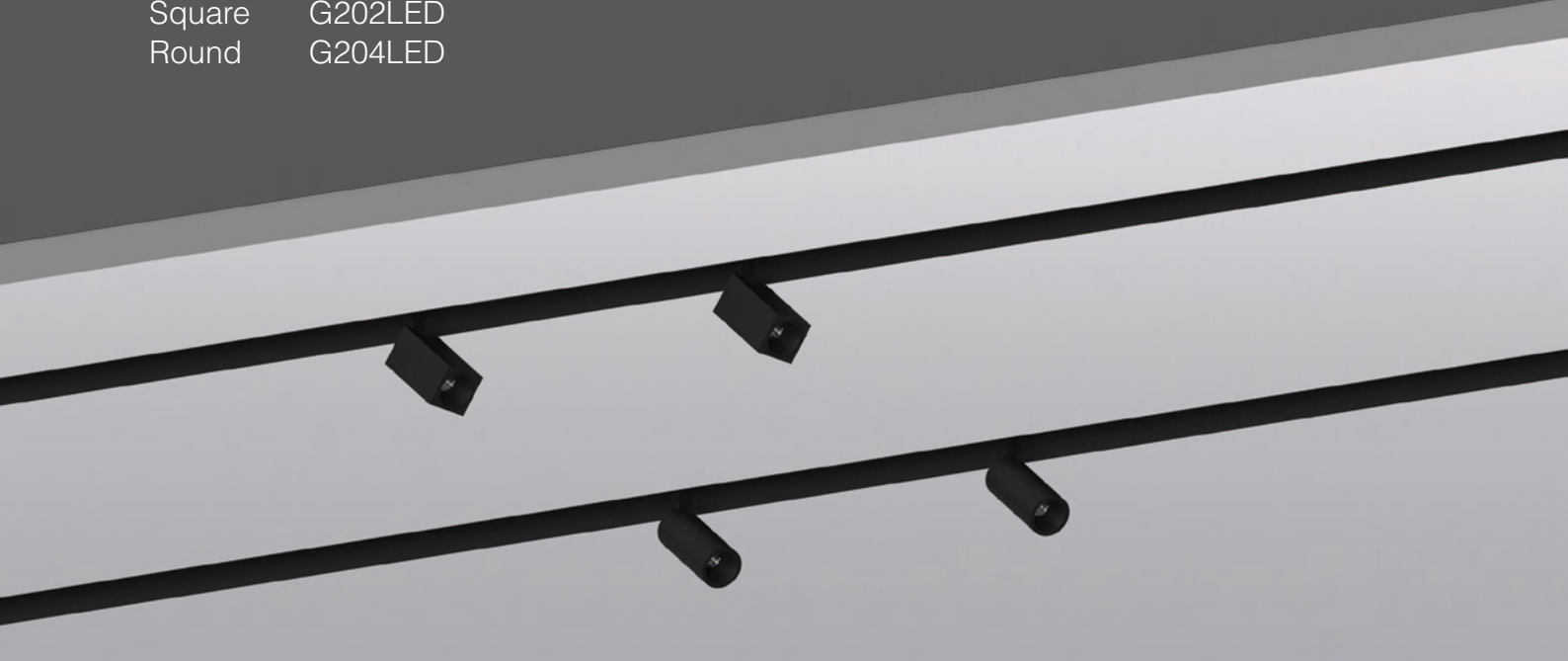
Technical drawing





GALASSIA

Square G202LED
Round G204LED



Quickinfo

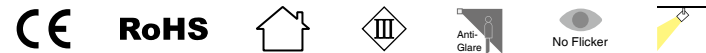
GENERAL
Magnetic
DC 48V
IP20

LED
OSRAM
2x1W, 2x3W
2700K, 3000K, 4000K, 5000K
50000h@L80
CRI≥90
SDCM: 5

OPTICAL
Direct illumination
Beam angle 15°/24°/33°
Optical accessories

ELECTRICAL
NON-DIM
1-10V
DALI
BLUETOOTH

PHYSICAL
Aluminum



Description

Magnetic suction installation. Double heads square/round design, finger hole size, single point with two direction projection, make the environment design without main lamp become more exquisite, the lamp can be fully integrated into the space.

Applications

Showrooms, Restaurants, Star-rated Hotels, Villas, Residential buildings, etc.

Features



Standard configuration

COLOUR TEMPERATURE
2700K
3000K

CONTROL
NON-DIM

OPTICAL
15°/24°/33°

COLOUR(housing)
Black

COLOUR(reflector)
Black

Extended configuration

COLOUR TEMPERATURE
4000K
5000K

CONTROL
DALI, 1-10V

Options on request

CONTROL
BLUETOOTH

Parameters

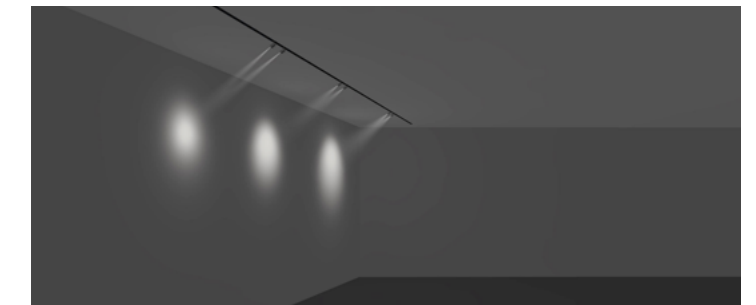
POWER	DC INPUT	CCT	LUMINOUS FLUX
2x1W	48V	2700K	94~144 lm
		3000K	96~156 lm
2x3W	48V	2700K	158~248 lm
		3000K	164~268 lm

Test standards: OSRAM COB, CRI 90, tolerance range of electrical and optical parameters: ±10%.

Light Distribution

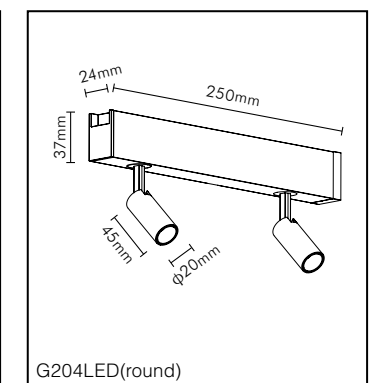
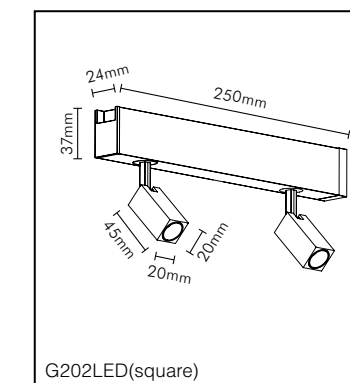
3W 15° 3000K Ra90			3W 24° 3000K Ra90			3W 33° 3000K Ra90		
H(m)	E(lx)	D(m)	H(m)	E(lx)	D(m)	H(m)	E(lx)	D(m)
1	695	0.25	1	542	0.37	1	435	0.52
2	174	0.51	2	135	0.74	2	109	1.04
3	77	0.76	3	61	1.11	3	48	1.55
4	43	1.01	4	34	1.48	4	27	2.07
5	28	1.27	5	22	1.85	5	17	2.59

Light effect and planning aid



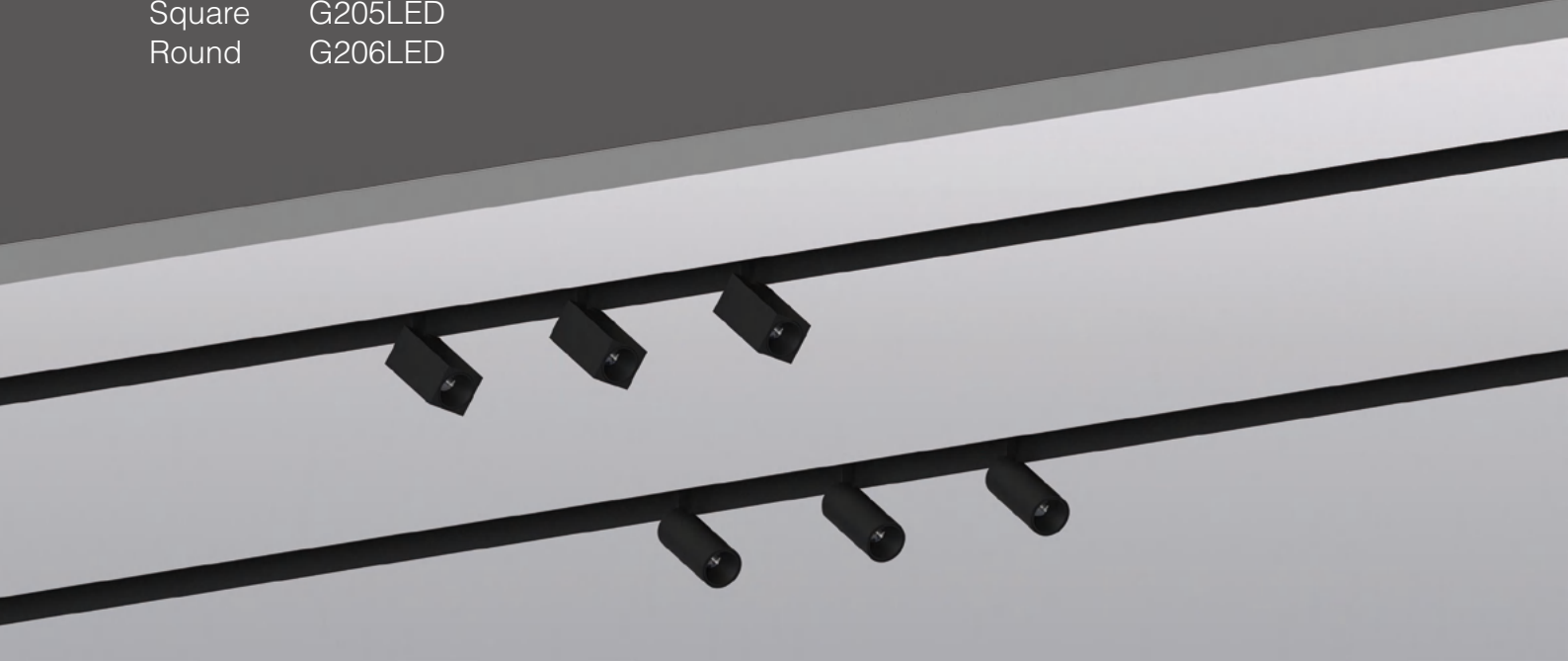
Emphasis of objects or architectural elements.

Technical drawing



GALASSIA

Square G205LED
Round G206LED



Quickinfo

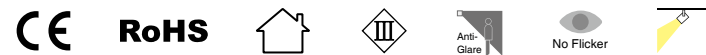
GENERAL
Magnetic
DC 48V
IP20

LED
OSRAM
3x1W, 3x3W
2700K, 3000K, 4000K, 5000K
50000h@L80
CRI≥90
SDCM: 5

OPTICAL
Direct illumination
Beam angle 15°/24°/33°
Optical accessories

ELECTRICAL
NON-DIM
1-10V
DALI
BLUETOOTH

PHYSICAL
Aluminum



Description

Magnetic suction installation. Triple heads square/round design, finger hole size, single point with multidirectional projection, make the environment design without main lamp become more exquisite, the lamp can be fully integrated into the space.

Applications

Showrooms, Restaurants, Star-rated Hotels, Villas, Residential buildings, etc.

Features



Standard configuration

COLOUR TEMPERATURE
2700K
3000K

CONTROL
NON-DIM

OPTICAL
15°/24°/33°

COLOUR(housing)
Black

COLOUR(reflector)
Black

Extended configuration

COLOUR TEMPERATURE
4000K
5000K

CONTROL
DALI, 1-10V

Options on request

CONTROL
BLUETOOTH

Parameters

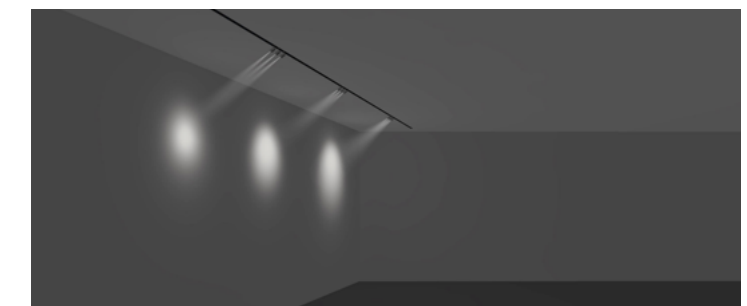
POWER	DC INPUT	CCT	LUMINOUS FLUX
3x1W	48V	2700K	141~216 lm
		3000K	144~234 lm
3x3W	48V	2700K	237~372 lm
		3000K	246~402 lm

Test standards: OSRAM COB, CRI 90, tolerance range of electrical and optical parameters: ±10%.

Light Distribution

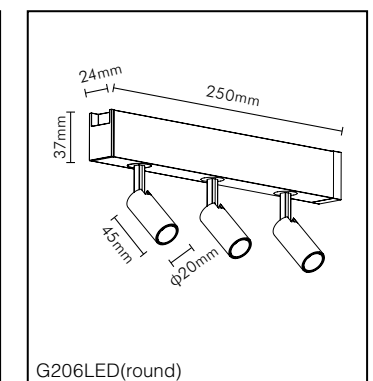
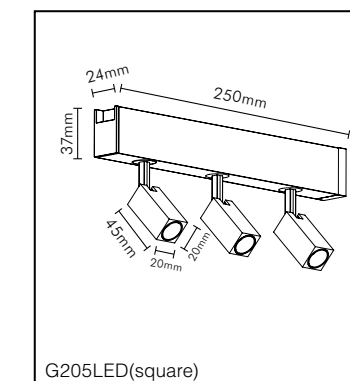
3W 15° 3000K Ra90			3W 24° 3000K Ra90			3W 33° 3000K Ra90		
H(m)	E(lx)	D(m)	H(m)	E(lx)	D(m)	H(m)	E(lx)	D(m)
1	695	0.25	1	542	0.37	1	435	0.52
2	174	0.51	2	135	0.74	2	109	1.04
3	77	0.76	3	61	1.11	3	48	1.55
4	43	1.01	4	34	1.48	4	27	2.07
5	28	1.27	5	22	1.85	5	17	2.59

Light effect and planning aid



Emphasis of objects or architectural elements.

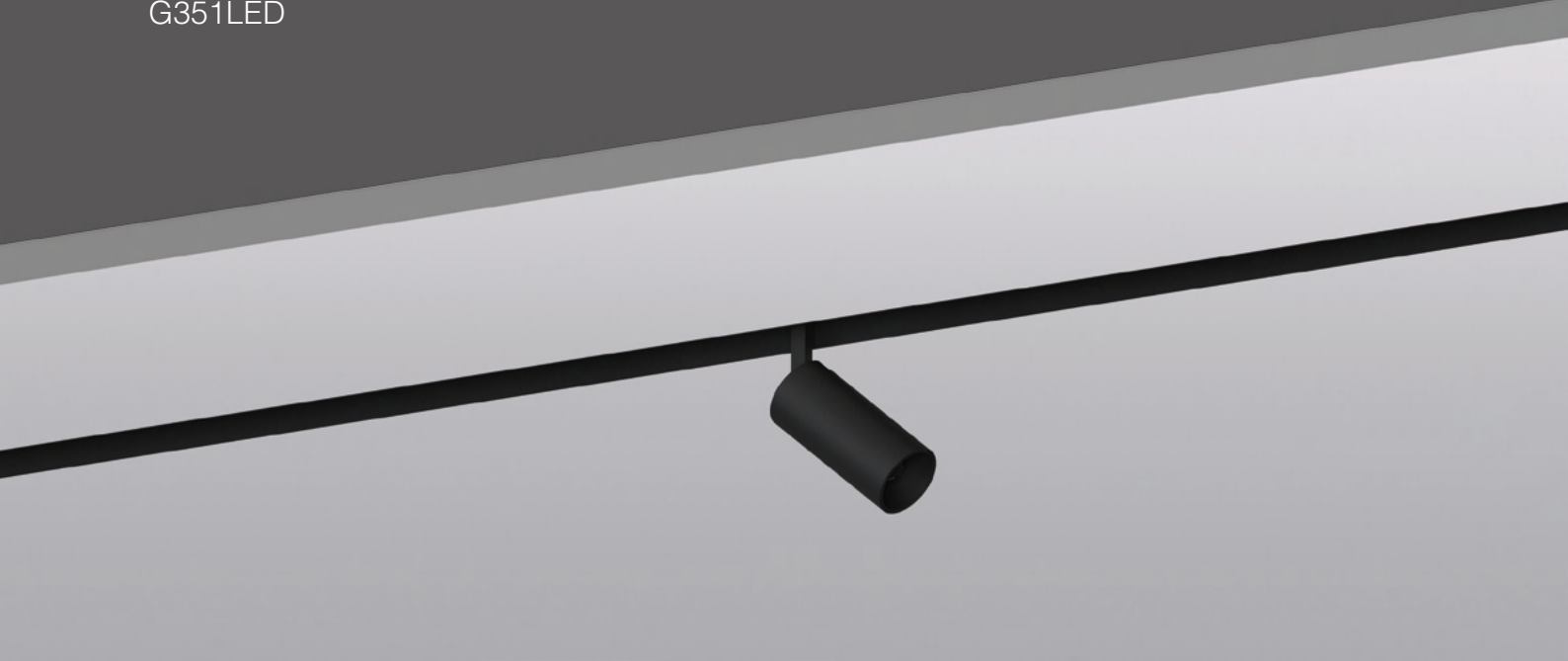
Technical drawing





GALASSIA

G351LED



Quickinfo

GENERAL

Magnetic
DC 48V
IP20

LED

CITIZEN

5W
2700K, 3000K, 4000K, 5000K, TW
50000h@L80
CRI≥90
SDCM: 3

OPTICAL

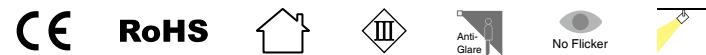
Direct illumination
Beam angle 15°/24°/33°
Optical accessories

ELECTRICAL

NON-DIM
1-10V
DALI
BLUETOOTH

PHYSICAL

Aluminum



Description

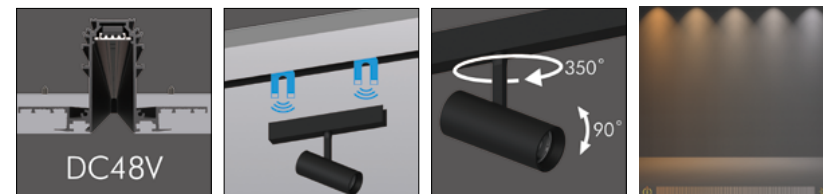
Magnetic suction installation. Small and exquisite in appearance. It can be rotated 350° horizontally and 90° vertically, which is better match with its delicate design.

Tunable White allows the colour temperature to be continuously adjusted from warm light to cool light.

Applications

Showrooms, Restaurants, Star-rated Hotels, Villas, Residential buildings, etc.

Features



Standard configuration

COLOUR TEMPERATURE

2700K
3000K

CONTROL

NON-DIM

OPTICAL

15°/24°/33°

COLOUR(housing)

Black

COLOUR(reflector)

Black

Extended configuration

COLOUR TEMPERATURE

4000K
5000K

CONTROL

DALI, 1-10V

Options on request

COLOUR TEMPERATURE

TW(2700K~6000K)

CONTROL

BLUETOOTH

Parameters

POWER

5W

DC INPUT

48V

CCT

2700K
3000K

LUMINOUS FLUX

352~378 lm
375~381 lm

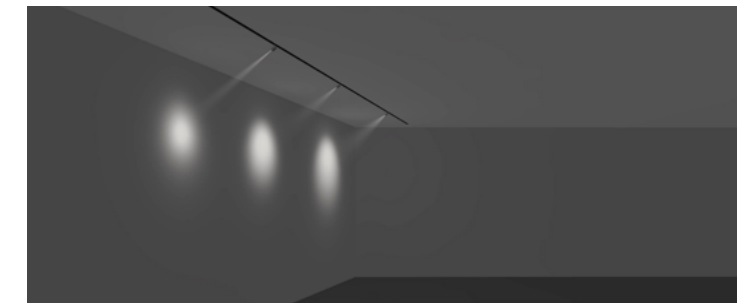
Test standards:

Citizen COB, CRI 90, tolerance range of electrical and optical parameters: ±10%.

Light Distribution

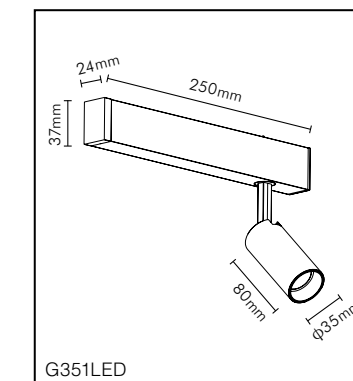
5W 15° 3000K Ra90			5W 24° 3000K Ra90			5W 33° 3000K Ra90		
H(m)	E(lx)	D(m)	H(m)	E(lx)	D(m)	H(m)	E(lx)	D(m)
1	3623	0.26	1	1756	0.41	1	1069	0.60
2	906	0.51	2	439	0.83	2	267	1.20
3	403	0.76	3	195	1.24	3	119	1.81
4	226	1.02	4	110	1.65	4	67	2.41
5	145	1.27	5	70	2.06	5	43	3.01
HEIGHT	ILLUMINANCE	DIAMETER	HEIGHT	ILLUMINANCE	DIAMETER	HEIGHT	ILLUMINANCE	DIAMETER

Light effect and planning aid



Emphasis of objects or architectural elements.

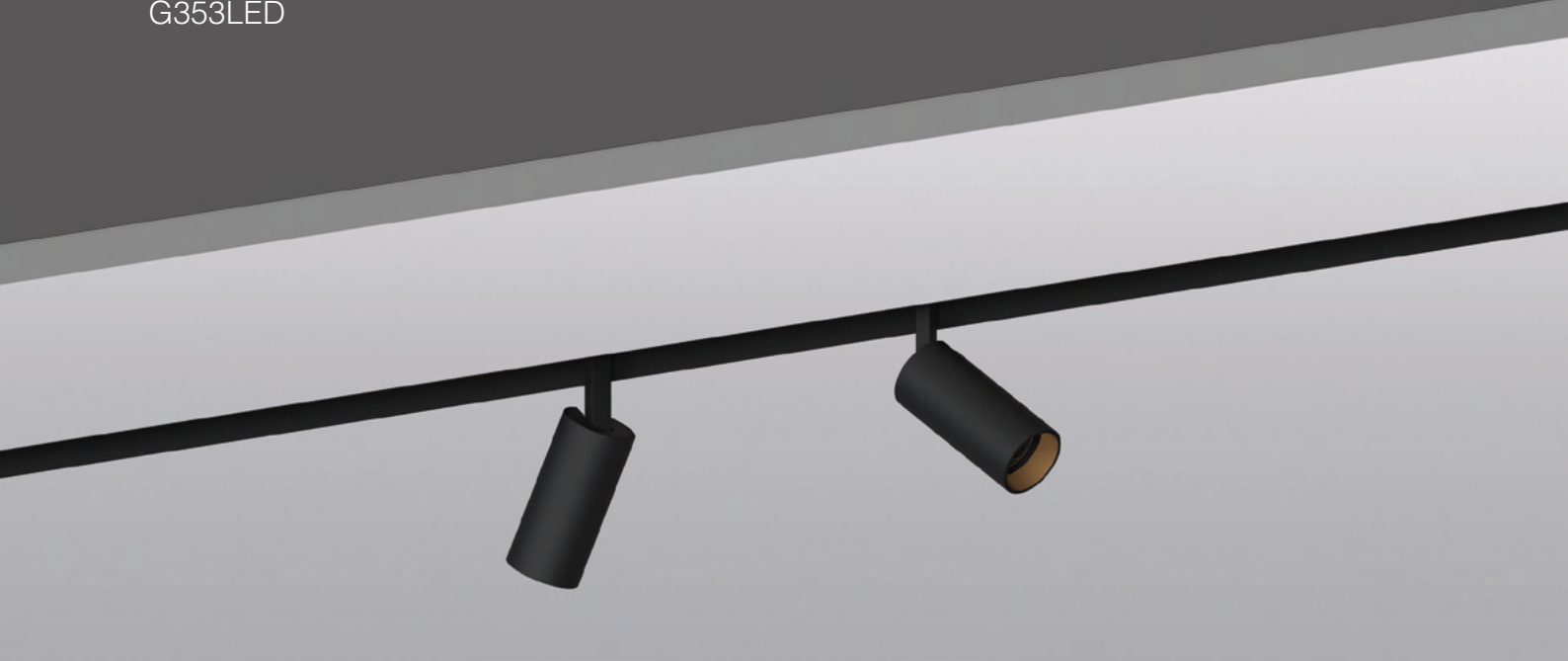
Technical drawing



G351LED

GALASSIA

G353LED



Quickinfo

GENERAL

Magnetic
DC 48V
IP20

LED

CITIZEN

2x5W
2700K, 3000K, 4000K, 5000K, TW
50000h@L80
CRI≥90
SDCM: 3

OPTICAL

Direct illumination
Beam angle 15°/24°/33°
Optical accessories

ELECTRICAL

NON-DIM
1-10V
DALI
BLUETOOTH

PHYSICAL

Aluminum



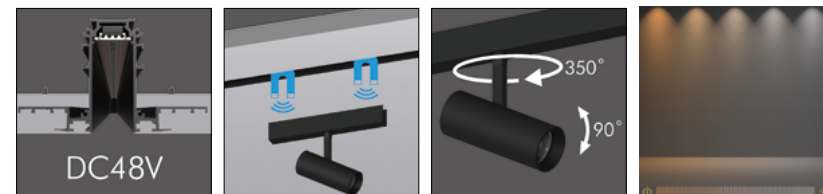
Description

Magnetic suction installation. Small and exquisite in appearance. Double heads design makes the ceiling more beautiful and more matching with the delicate design. Tunable White allows the colour temperature to be continuously adjusted from warm light to cool light.

Applications

Showrooms, Restaurants, Star-rated Hotels, Villas, Residential buildings, etc.

Features



Standard configuration

COLOUR TEMPERATURE

2700K
3000K

CONTROL

NON-DIM

OPTICAL

15°/24°/33°

COLOUR(housing)

Black

COLOUR(reflector)

Black

Extended configuration

COLOUR TEMPERATURE

4000K
5000K

CONTROL

DALI, 1-10V

Options on request

COLOUR TEMPERATURE

TW(2700K~6000K)

CONTROL

BLUETOOTH

Parameters

POWER

2x5W

DC INPUT

48V

CCT

2700K
3000K

LUMINOUS FLUX

695~730 lm
699~732 lm

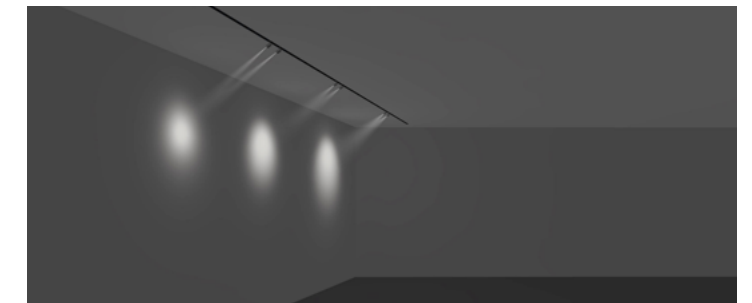
Test standards:

Citizen COB, CRI 90, tolerance range of electrical and optical parameters: ±10%.

Light Distribution

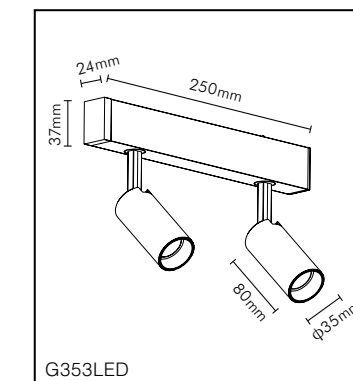
5W 15° 3000K Ra90			5W 24° 3000K Ra90			5W 33° 3000K Ra90		
H(m)	E(lx)	D(m)	H(m)	E(lx)	D(m)	H(m)	E(lx)	D(m)
1	6478	0.25	1	3465	0.40	1	2355	0.54
2	1620	0.49	2	866	0.79	2	589	1.07
3	720	0.74	3	385	1.19	3	262	1.61
4	405	0.99	4	217	1.59	4	147	2.14
5	259	1.23	5	139	1.99	5	94	2.68
HEIGHT	ILLUMINANCE	DIAMETER	HEIGHT	ILLUMINANCE	DIAMETER	HEIGHT	ILLUMINANCE	DIAMETER

Light effect and planning aid



Emphasis of objects or architectural elements.

Technical drawing



G353LED



GALASSIA

G358LED & G3510LED



Quickinfo

GENERAL
Magnetic
DC 48V
IP20

LED
CITIZEN
7W
2700K, 3000K, 4000K, 5000K
50000h@L80
CRI≥90
SDCM: 3

OPTICAL
Direct illumination
Beam angle 15°/24°/33°
Optical accessories

ELECTRICAL
NON-DIM
1-10V
DALI
BLUETOOTH

PHYSICAL
Aluminum



Description

Magnetic suction installation, ultra small diameter light aperture, delicate mini modeling design, make the minimalist style more simple.

Applications

Showrooms, Restaurants, Star-rated Hotels, Villas, Residential buildings, etc.

Features



Standard configuration

COLOUR TEMPERATURE
2700K
3000K

CONTROL
NON-DIM

OPTICAL
15°/24°/33°

COLOUR(housing)
Black

COLOUR(reflector)
Black

Extended configuration

COLOUR TEMPERATURE
4000K
5000K

CONTROL
DALI, 1-10V

Options on request

CONTROL
BLUETOOTH

Parameters

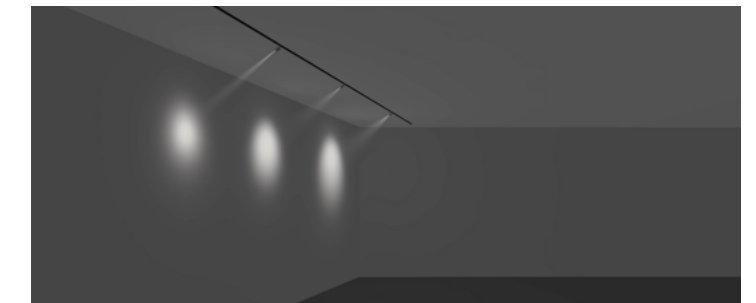
POWER	DC INPUT	CCT	LUMINOUS FLUX
7W	48V	2700K	401~452 lm
		3000K	446~469 lm

Test standards:
Citizen COB, CRI 90, tolerance range of electrical and optical parameters: ±10%.

Light Distribution

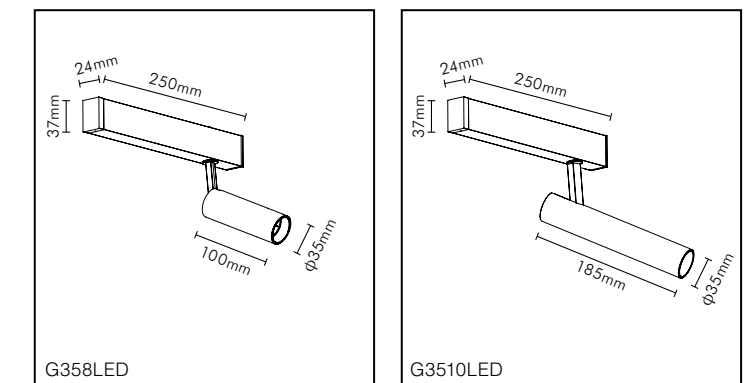
7W 15° 3000K Ra90			7W 24° 3000K Ra90			7W 33° 3000K Ra90		
H(m)	E(lx)	D(m)	H(m)	E(lx)	D(m)	H(m)	E(lx)	D(m)
1	4180	0.24	1	2399	0.38	1	1485	0.54
2	1045	0.48	2	600	0.76	2	371	1.07
3	464	0.72	3	267	1.14	3	165	1.60
4	281	0.96	4	150	1.53	4	93	2.14
5	167	1.19	5	96	1.91	5	59	2.67
HEIGHT	ILLUMINANCE	DIAMETER	HEIGHT	ILLUMINANCE	DIAMETER	HEIGHT	ILLUMINANCE	DIAMETER

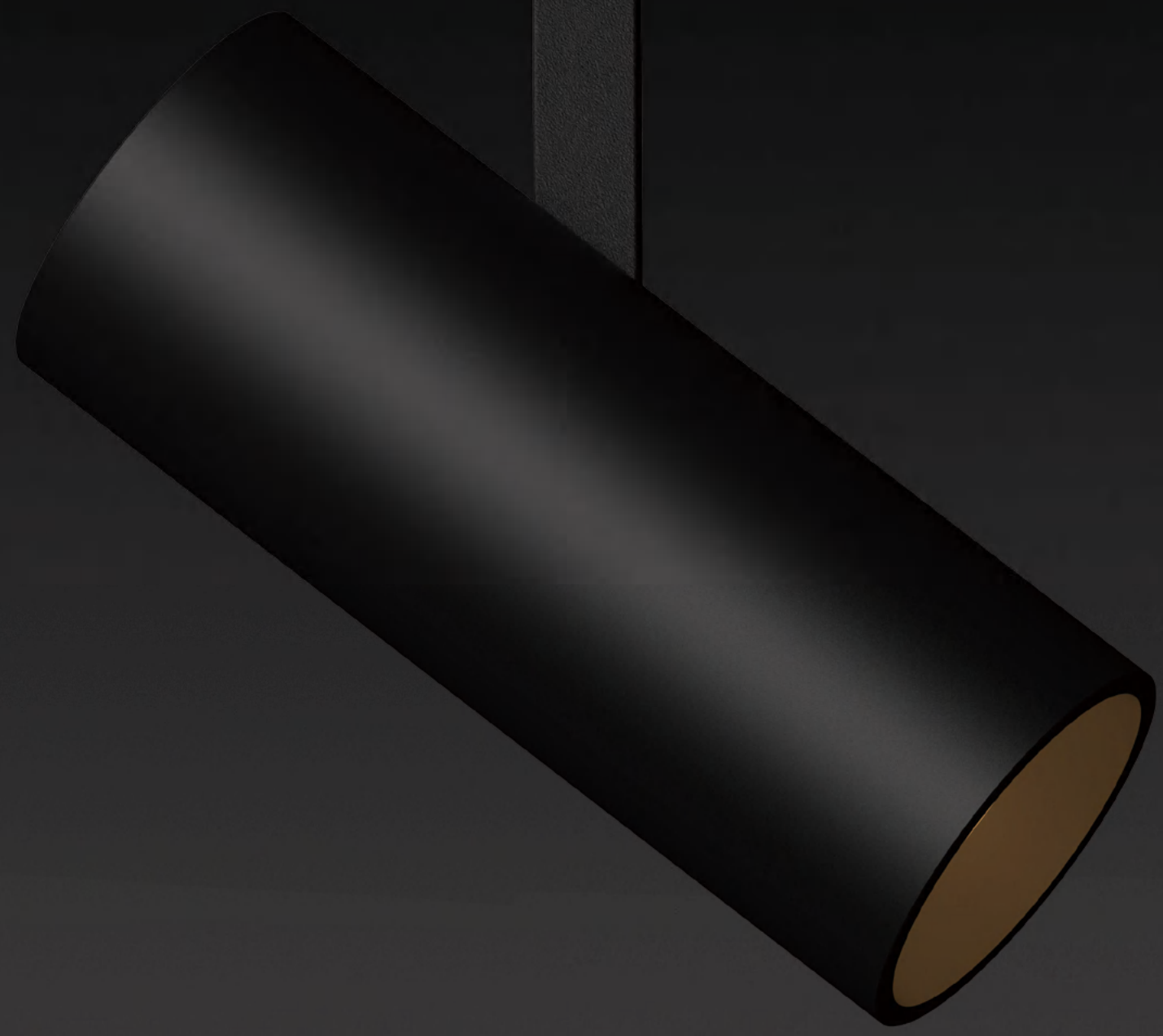
Light effect and planning aid



Emphasis of objects or architectural elements.

Technical drawing

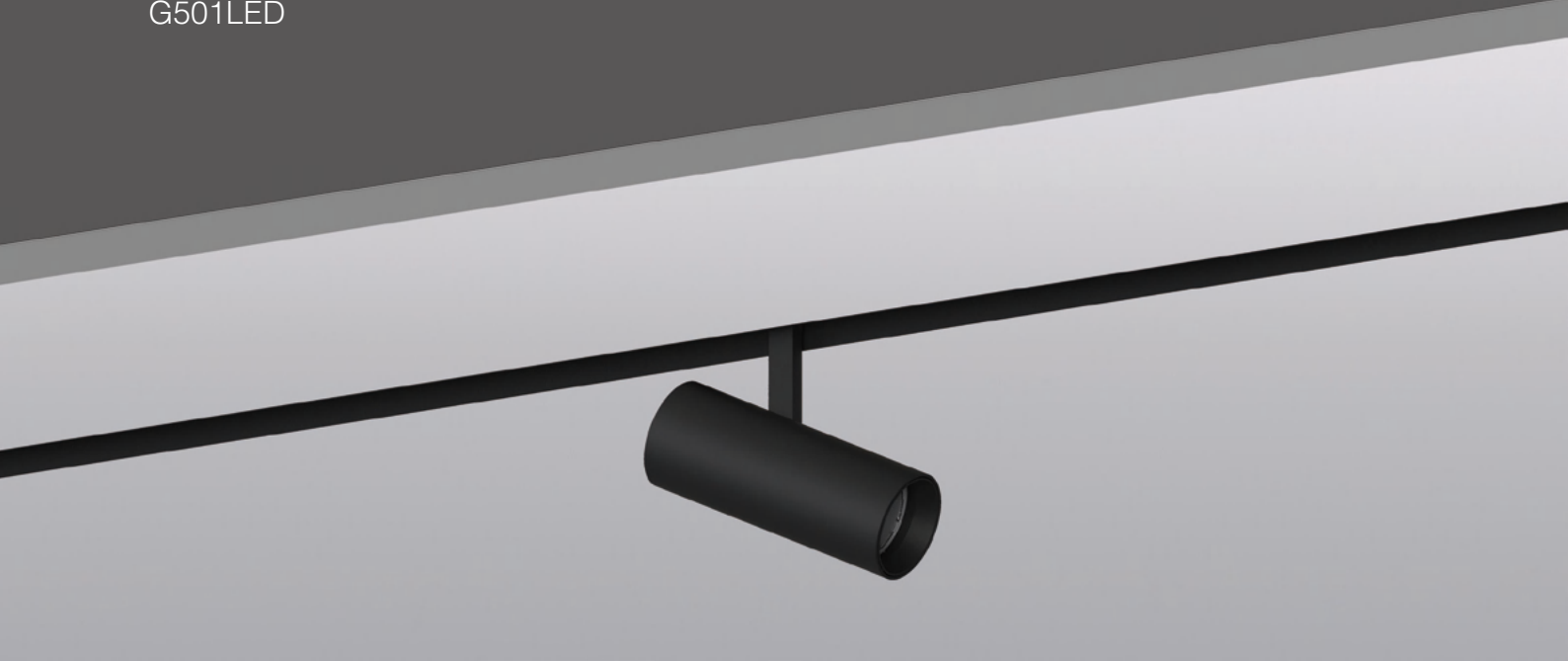




φ50mm
12W
15°/24°/38°

GALASSIA

G501LED



Quickinfo

GENERAL

Magnetic
DC 48V
IP20

LED

CITIZEN

12W
2700K, 3000K, 4000K, 5000K, TW
50000h@L80
CRI≥90
SDCM: 3

OPTICAL

Direct illumination
Beam angle 15°/24°/38°
Optical accessories

ELECTRICAL

NON-DIM
1-10V
DALI
BLUETOOTH

PHYSICAL

Aluminum



RoHS



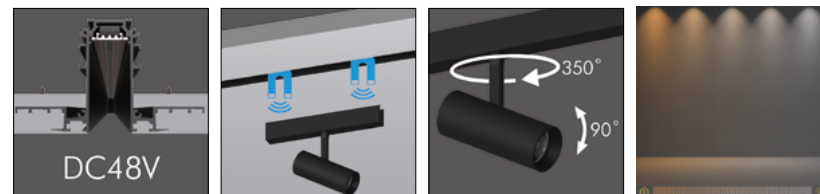
Description

Magnetic suction installation. Its solid appearance can provide more luminous flux. It can be rotated 350° horizontally and 90° vertically. Tunable White allows the colour temperature to be continuously adjusted from warm light to cool light.

Applications

Showrooms, Restaurants, Star-rated Hotels, Villas, Residential buildings, etc.

Features



Standard configuration

COLOUR TEMPERATURE

2700K
3000K

CONTROL

NON-DIM

OPTICAL

15°/24°/38°

COLOUR(housing)

Black

COLOUR(reflector)

Black, White, Gold

Extended configuration

COLOUR TEMPERATURE

4000K
5000K

CONTROL

DALI, 1-10V

Options on request

COLOUR TEMPERATURE

TW(2700K~6000K)

CONTROL

BLUETOOTH

Parameters

POWER

12W

DC INPUT

48V

CCT

2700K
3000K

LUMINOUS FLUX

802~825 lm
821~864 lm

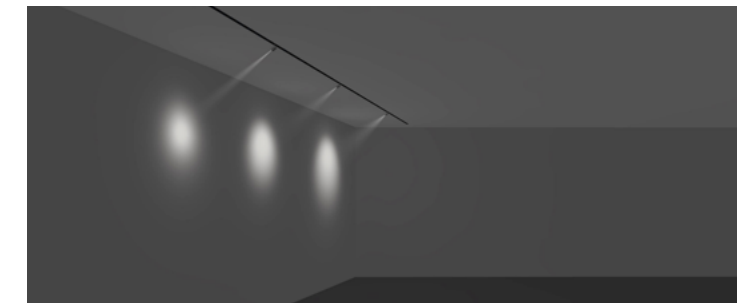
Test standards:

Citizen COB, CRI 90, tolerance range of electrical and optical parameters: ±10%.

Light Distribution

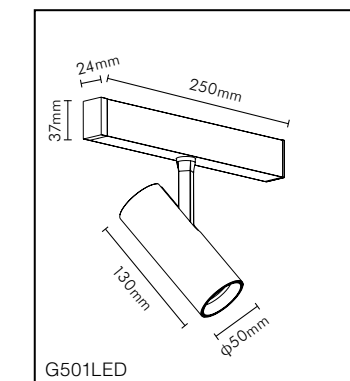
12W 15° 3000K Ra90			12W 24° 3000K Ra90			12W 38° 3000K Ra90		
H(m)	E(lx)	D(m)	H(m)	E(lx)	D(m)	H(m)	E(lx)	D(m)
1	8997	0.25	1	4853	0.42	1	1989	0.69
2	2249	0.51	2	1213	0.84	2	497	1.38
3	1000	0.76	3	539	1.27	3	221	2.07
4	562	1.02	4	303	1.69	4	124	2.76
5	360	1.27	5	194	2.11	5	80	3.45
HEIGHT	ILLUMINANCE	DIAMETER	HEIGHT	ILLUMINANCE	DIAMETER	HEIGHT	ILLUMINANCE	DIAMETER

Light effect and planning aid



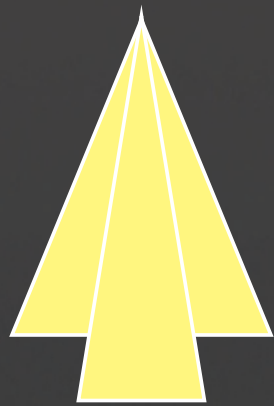
Emphasis of objects or architectural elements.

Technical drawing



G501LED



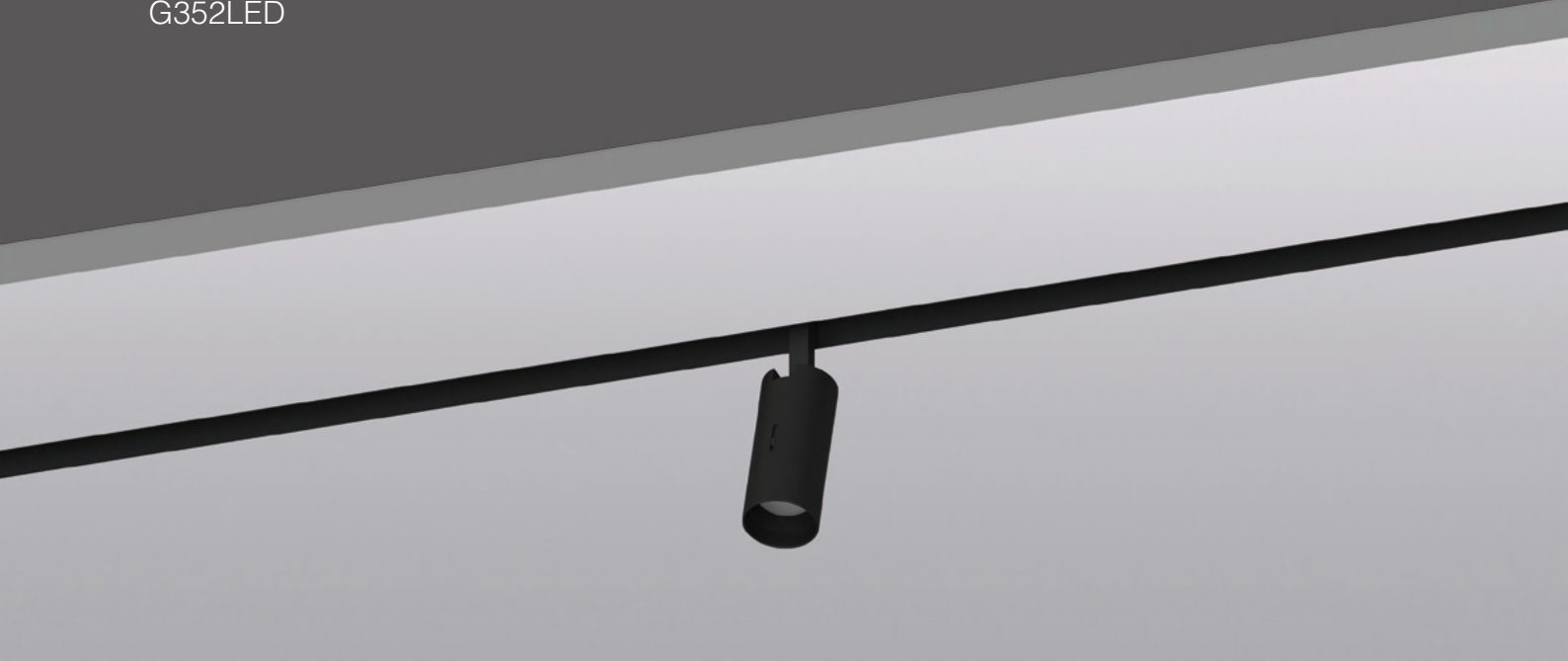


Focusing Spotlight

These product family can meet your need when the space are limited somehow, adjust the beam angle continuously by hand, different light distribution options enrich space design to meet different lighting needs.

GALASSIA

G352LED



Quickinfo

GENERAL

Magnetic
DC 48V
IP20

LED

CITIZEN

5W
2700K, 3000K, 4000K, 5000K, TW
50000h@L80
CRI≥90
SDCM: 3

OPTICAL

Direct illumination
Beam angle 18°~36°
Optical accessories

ELECTRICAL

NON-DIM
1-10V
DALI
BLUETOOTH

PHYSICAL

Aluminum



RoHS



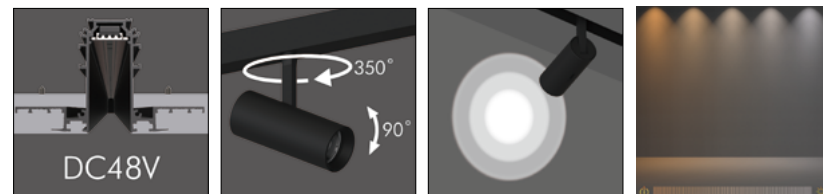
Description

Magnetic suction installation. Small and exquisite in appearance. The adjustable focus design enables the beam angle to be adjusted between 18° and 36°. Flexible dimming makes your design easier. Tunable White allows the colour temperature to be continuously adjusted from warm light to cool light.

Applications

Showrooms, Restaurants, Star-rated Hotels, Villas, Residential buildings, etc.

Features



Standard configuration

COLOUR TEMPERATURE

2700K
3000K

CONTROL

NON-DIM

OPTICAL

18°~36°

COLOUR(housing)

Black

COLOUR(reflector)

Black

Extended configuration

COLOUR TEMPERATURE

4000K
5000K

CONTROL

DALI, 1-10V

Options on request

COLOUR TEMPERATURE

TW(2700K~6000K)

CONTROL

BLUETOOTH

Parameters

POWER

5W

DC INPUT

48V

CCT

2700K
3000K

LUMINOUS FLUX

109~136 lm
119~141 lm

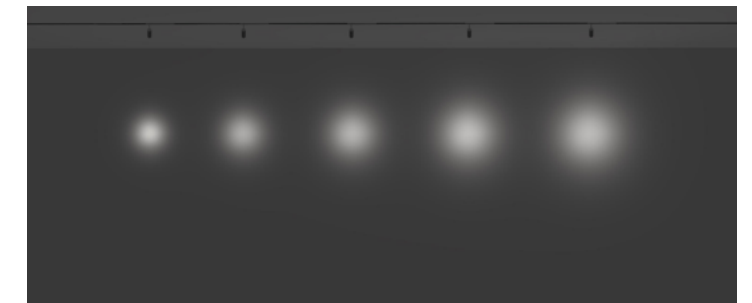
Test standards:

Citizen COB, CRI 90, tolerance range of electrical and optical parameters: ±10%.

Light Distribution

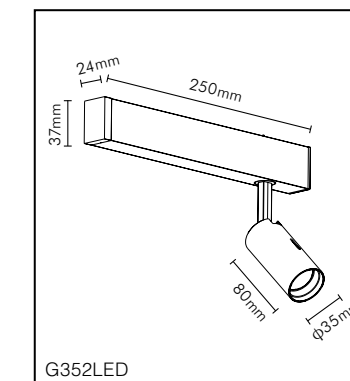
5W 18° 3000K Ra90			5W 36° 3000K Ra90		
H(m)	E(lx)	D(m)	H(m)	E(lx)	D(m)
1	656	0.37	1	358	0.66
2	164	0.73	2	90	1.32
3	73	1.10	3	40	1.98
4	41	1.46	4	22	2.64
5	26	1.83	5	14	3.30
HEIGHT	ILLUMINANCE	DIAMETER	HEIGHT	ILLUMINANCE	DIAMETER

Light effect and planning aid



Emphasis of objects or architectural elements.

Technical drawing



G352LED

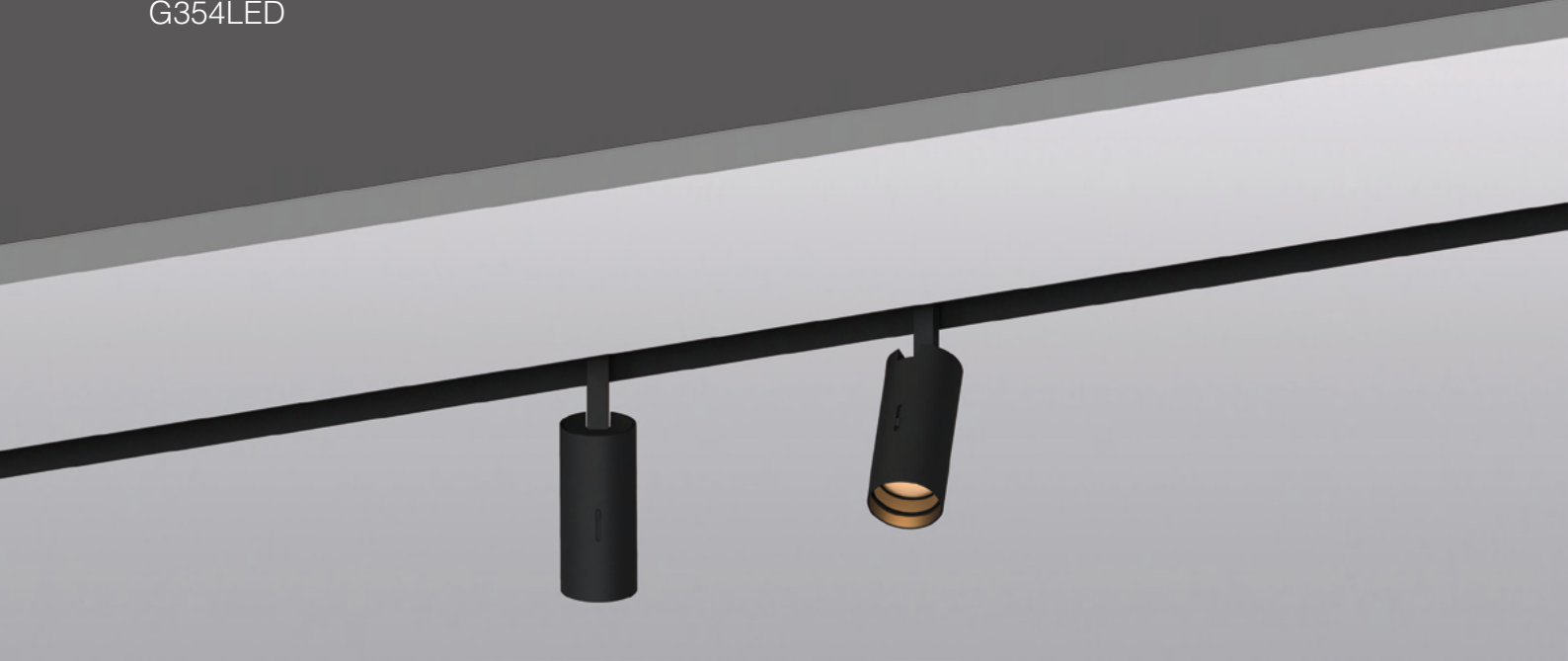


φ35mm
18°~36°



GALASSIA

G354LED



Quickinfo

GENERAL

Magnetic
DC 48V
IP20

LED

CITIZEN

2x5W
2700K, 3000K, 4000K, 5000K, TW
50000h@L80
CRI≥90
SDCM: 3

OPTICAL

Direct illumination
Beam angle 18°~36°
Optical accessories

ELECTRICAL

NON-DIM
1-10V
DALI
BLUETOOTH

PHYSICAL

Aluminum



RoHS



Description

Magnetic suction installation. Small and exquisite in appearance.

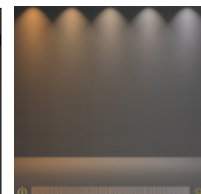
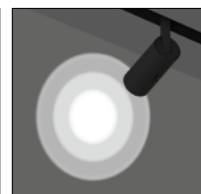
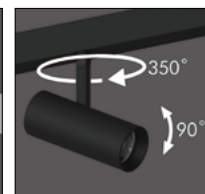
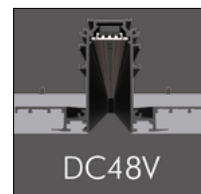
Double heads design and adjustable focusing design make the ceiling more beautiful and your design can be more simple.

Tunable White allows the colour temperature to be continuously adjusted from warm light to cool light.

Applications

Showrooms, Restaurants, Star-rated Hotels, Villas, Residential buildings, etc.

Features



Standard configuration

COLOUR TEMPERATURE

2700K
3000K

CONTROL

NON-DIM

OPTICAL

18°~36°

COLOUR(housing)

Black

COLOUR(reflector)

Black

Extended configuration

COLOUR TEMPERATURE

4000K
5000K

CONTROL

DALI, 1-10V

Options on request

COLOUR TEMPERATURE

TW(2700K~6000K)

CONTROL

BLUETOOTH

Parameters

POWER

2x5W

DC INPUT

48V

CCT

2700K
3000K

LUMINOUS FLUX

218~272 lm
238~282 lm

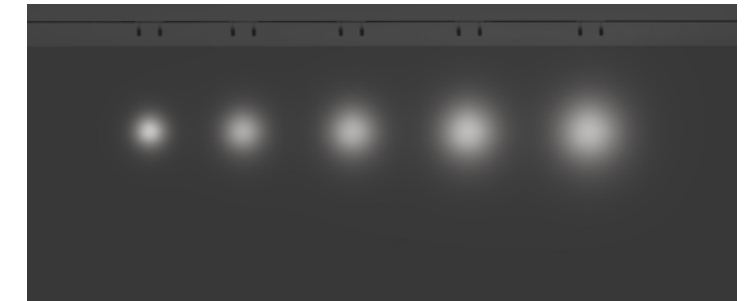
Test standards:

Citizen COB, CRI 90, tolerance range of electrical and optical parameters: ±10%.

Light Distribution

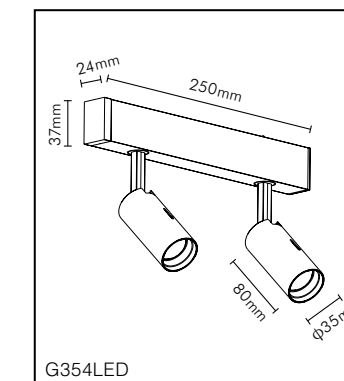
5W 18° 3000K Ra90			5W 36° 3000K Ra90		
H(m)	E lx	D(m)	H(m)	E lx	D(m)
1	656	0.37	1	358	0.66
2	164	0.73	2	90	1.32
3	73	1.10	3	40	1.98
4	41	1.46	4	22	2.64
5	26	1.83	5	14	3.30
HEIGHT	ILLUMINANCE	DIAMETER	HEIGHT	ILLUMINANCE	DIAMETER

Light effect and planning aid



Emphasis of objects or architectural elements.

Technical drawing





$\phi 35\text{mm}$
12°~36°

GALASSIA

G357LED & G359LED



Quickinfo

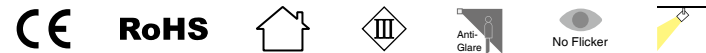
GENERAL
Magnetic
DC 48V
IP20

LED
CITIZEN
7W
2700K, 3000K, 4000K, 5000K
50000h@L80
CRI≥90
SDCM: 3

OPTICAL
Direct illumination
Beam angle 12°~36°
Optical accessories

ELECTRICAL
NON-DIM
1-10V
DALI
BLUETOOTH

PHYSICAL
Aluminum



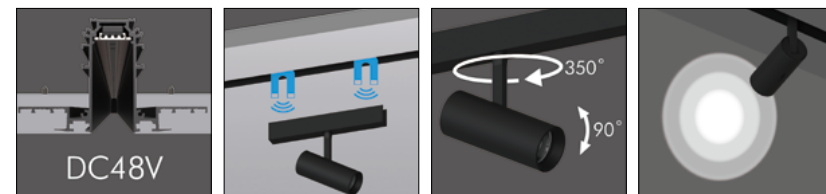
Description

Magnetic suction installation, ultra small diameter light output aperture, delicate mini modeling with focusing technology, so that changeful lighting and minimalist style can be integrated perfectly.

Applications

Showrooms, Restaurants, Star-rated Hotels, Villas, Residential buildings, etc.

Features



Standard configuration

COLOUR TEMPERATURE
2700K
3000K

CONTROL
NON-DIM

OPTICAL
12°~36°

COLOUR(housing)
Black

COLOUR(reflector)
Black

Extended configuration

COLOUR TEMPERATURE
4000K
5000K

CONTROL
DALI, 1-10V

Options on request

CONTROL
BLUETOOTH

Parameters

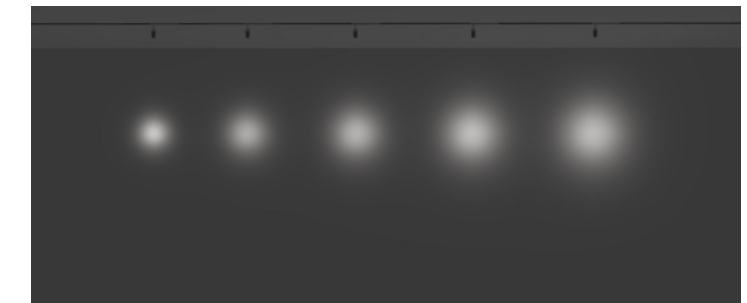
POWER	DC INPUT	CCT	LUMINOUS FLUX
7W	48V	2700K	118~135 lm
		3000K	125~143 lm

Test standards:
Citizen COB, CRI 90, tolerance range of electrical and optical parameters: ±10%.

Light Distribution

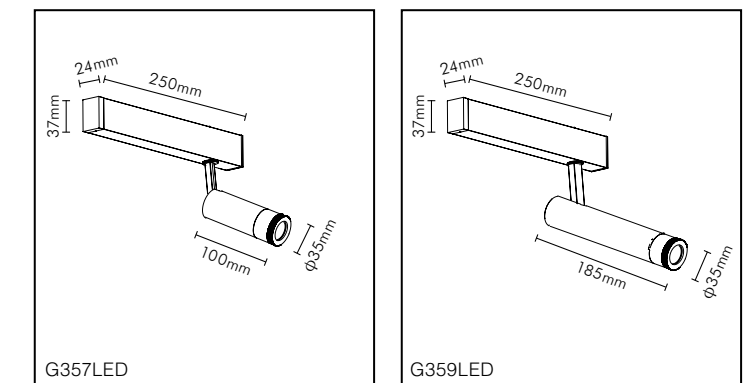
7W 12° 3000K Ra90			7W 36° 3000K Ra90		
H(m)	E(lx)	D(m)	H(m)	E(lx)	D(m)
1	2469	0.21	1	469	0.61
2	617	0.42	2	117	1.21
3	274	0.62	3	52	1.82
4	154	0.83	4	29	2.42
5	99	1.04	5	19	3.03

Light effect and planning aid



Emphasis of objects or architectural elements.

Technical drawing



GALASSIA

G356LED



Quickinfo

General
Magnetic
DC 48V
IP20

LED

CITIZEN

7W
2700K, 3000K, 4000K, 5000K
50000h@L80
CRI≥90
SDCM: 3

OPTICAL

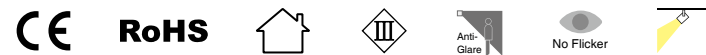
Direct illumination
Beam angle 12°~36°
Optical accessories

ELECTRICAL

Non DIM
1-10V
DALI
Bluetooth

PHYSICAL

Aluminum



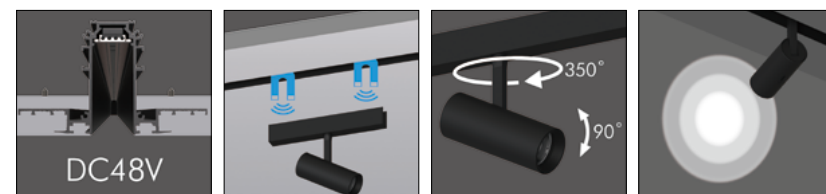
Description

Magnetic suction installation. The slender lamp body provides your space with a refreshing style. It can be rotated 350 ° horizontally and 90° vertically.

Applications

Showrooms, Restaurants, Star-rated Hotels, Villas, Residential buildings, etc.

Features



Standard configuration

COLOUR TEMPERATURE
2700K
3000K

CONTROL
Non DIM

OPTICAL
12°~36°

COLOUR(housing)
Black

COLOUR(reflector)
Black

Extended configuration

COLOUR TEMPERATURE
4000K
5000K

CONTROL
DALI, 1-10V

Options on request

CONTROL
Bluetooth

Parameters

POWER	DC INPUT	CCT	LUMINOUS FLUX
7W	48V	2700K 3000K	118~135 lm 125~143 lm

Test standards:
Citizen COB, CRI 90, tolerance range of electrical and optical parameters: ±10%.

Light Distribution

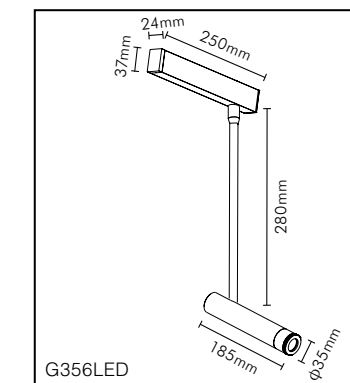
7W 12° 3000K Ra90			7W 36° 3000K Ra90		
H(m)	E(lx)	D(m)	H(m)	E(lx)	D(m)
1	2469	0.21	1	469	0.61
2	617	0.42	2	117	1.21
3	274	0.62	3	52	1.82
4	154	0.83	4	29	2.42
5	99	1.04	5	19	3.03

Light effect and planning aid



Emphasis of objects or architectural elements.

Technical drawing





φ50mm



φ35mm



GALASSIA

G355LED



Standard configuration

COLOUR TEMPERATURE
2700K
3000K

CONTROL
NON-DIM

OPTICAL
15°/24°/33°

COLOUR(housing)
Black

COLOUR(reflector)
Black

Extended configuration

COLOUR TEMPERATURE
4000K
5000K

CONTROL
DALI, 1-10V

Options on request

CONTROL
BLUETOOTH

Parameters

POWER	DC INPUT	CCT	LUMINOUS FLUX
5W	48V	2700K 3000K	352~378 lm 375~381 lm

Test standards:
Citizen COB, CRI 90, tolerance range of electrical and optical parameters: ±10%.

Light Distribution

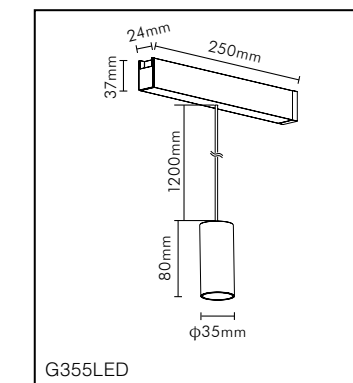
5W 15° 3000K Ra90			5W 24° 3000K Ra90			5W 33° 3000K Ra90		
H(m)	E(lx)	D(m)	H(m)	E(lx)	D(m)	H(m)	E(lx)	D(m)
1	3623	0.26	1	1756	0.41	1	1069	0.60
2	906	0.51	2	439	0.83	2	267	1.20
3	403	0.76	3	195	1.24	3	119	1.81
4	226	1.02	4	110	1.65	4	67	2.41
5	145	1.27	5	70	2.06	5	43	3.01

Light effect and planning aid



Emphasis of objects or architectural elements.

Technical drawing



Quickinfo

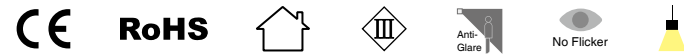
GENERAL
Magnetic
DC 48V
IP20

LED
CITIZEN
5W
2700K, 3000K, 4000K, 5000K
50000h@L80
CRI≥90
SDCM: 3

OPTICAL
Direct illumination
Beam angle 15°/24°/33°
Optical accessories

ELECTRICAL
NON-DIM
1-10V
DALI
BLUETOOTH

PHYSICAL
Aluminum



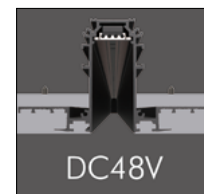
Description

Magnetic suction installation. The suspension design with small and exquisite lamp body can offer you a extremely exquisite style of space.

Applications

Showrooms, Restaurants, Star-rated Hotels, Villas, Residential buildings, etc.

Features



GALASSIA

G503LED



Standard configuration

COLOUR TEMPERATURE
2700K
3000K

CONTROL
NON-DIM

OPTICAL
15°/24°/38°

COLOUR(housing)
Black

COLOUR(reflector)
Black, White, Gold

Parameters

POWER	DC INPUT	CCT	LUMINOUS FLUX
12W	48V	2700K 3000K	802~825 lm 821~864 lm

Test standards:
Citizen COB, CRI 90, tolerance range of electrical and optical parameters: ±10%.

Light Distribution

12W 15° 3000K Ra90			12W 24° 3000K Ra90			12W 38° 3000K Ra90		
H(m)	E(lx)	D(m)	H(m)	E(lx)	D(m)	H(m)	E(lx)	D(m)
1	8997	0.25	1	4853	0.42	1	1989	0.69
2	2249	0.51	2	1213	0.84	2	497	1.38
3	1000	0.76	3	539	1.27	3	221	2.07
4	562	1.02	4	303	1.69	4	124	2.76
5	360	1.27	5	194	2.11	5	80	3.45

Extended configuration

COLOUR TEMPERATURE
4000K
5000K

CONTROL
DALI, 1-10V

Options on request

COLOUR TEMPERATURE
TW(2700K~6000K)

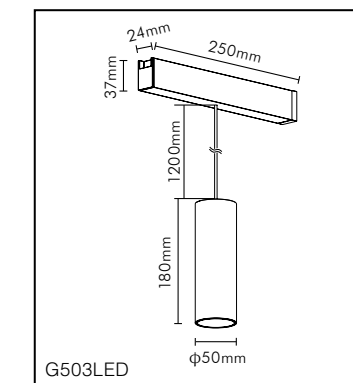
CONTROL
BLUETOOTH

Light effect and planning aid



Emphasis of objects or architectural elements.

Technical drawing



Quickinfo

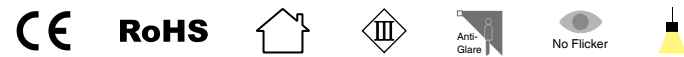
GENERAL
Magnetic
DC 48V
IP20

LED
CITIZEN
12W
2700K, 3000K, 4000K, 5000K, TW
50000h@L80
CRI≥90
SDCM: 3

OPTICAL
Direct illumination
Beam angle 15°/24°/38°
Optical accessories

ELECTRICAL
NON-DIM
1-10V
DALI
BLUETOOTH

PHYSICAL
Aluminum



Description

Magnetic suction installation. The suspension design can still give the environment a trace of taste without the main light design.

Tunable White allows the colour temperature to be continuously adjusted from warm light to cool light.

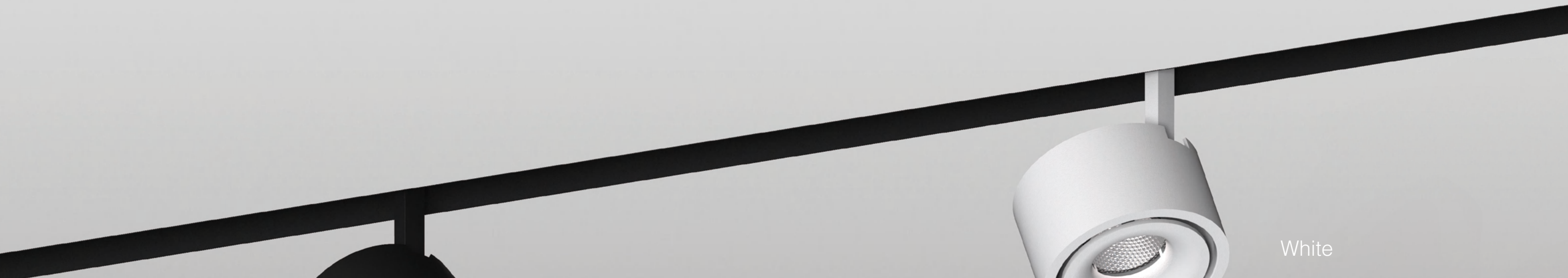
Applications

Showrooms, Restaurants, Star-rated Hotels, Villas, Residential buildings, etc.

Features



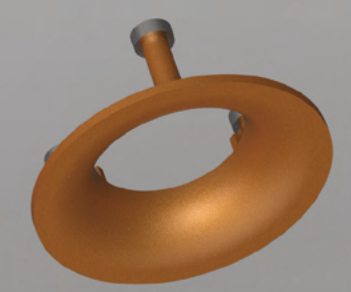




White



Black



Gold

Flexible changeable

With many interesting decorative colors, this lamp can match any design concept in the room. Magnet type face ring installation method, more flexible installation and disassembly, according to the scene can be DIY lighting module, so as to achieve different effects.

GALASSIA

G751LED



Quickinfo

GENERAL
Magnetic
DC 48V
IP20

LED
CITIZEN
7W
2700K, 3000K, 4000K, 5000K
50000h@L80
CRI≥90
SDCM: 3

OPTICAL
Direct illumination
Beam angle 18°/40°
Optical accessories

ELECTRICAL
NON-DIM
1-10V
DALI
BLUETOOTH

PHYSICAL
Aluminum



Description

Track installation, "probe" shape design makes the space full of fun.

Applications

Showrooms, Restaurants, Star-rated Hotels, Villas, Residential buildings, etc.

Features



Standard configuration

COLOUR TEMPERATURE
2700K
3000K

CONTROL
NON-DIM

OPTICAL
18°/40°

COLOUR(housing)
Black

COLOUR(reflector)
Black, White, Gold

Extended configuration

COLOUR TEMPERATURE
4000K
5000K

CONTROL
DALI, 1-10V

Options on request

CONTROL
BLUETOOTH

Parameters

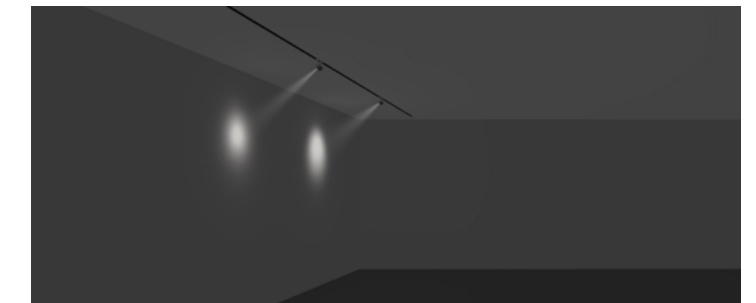
POWER	DC INPUT	CCT	LUMINOUS FLUX
7W	48V	2700K	416~439 lm
		3000K	455~478 lm

Test standards:
Citizen COB, CRI 90, tolerance range of electrical and optical parameters: ±10%.

Light Distribution

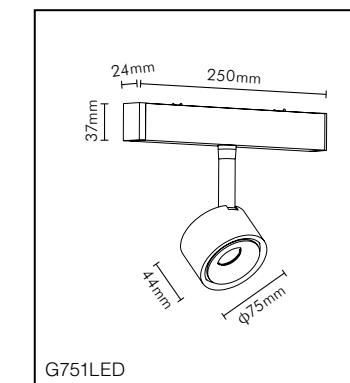
7W 18° 3000K Ra90			7W 40° 3000K Ra90		
H(m)	E(lx)	D(m)	H(m)	E(lx)	D(m)
1	3049	0.32	1	889	0.74
2	762	0.64	2	222	1.47
3	339	0.95	3	99	2.21
4	191	1.27	4	56	2.94
5	122	1.59	5	36	3.68

Light effect and planning aid




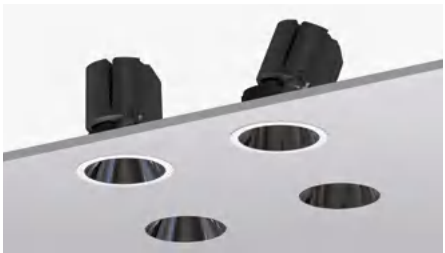



Emphasis of objects or architectural elements.





Technical drawing



G751LED

LUNA

φ60mm		W1601LED... Trimless / Fixed 136
		1601LED... Trim / Fixed 136
		W1602LED... Trimless / Adjustable 138
		1602LED... Trim / Adjustable 138
φ86mm		W1861LED... Trimless / Fixed 146
		1861LED... Trim / Fixed 146
		W1862LED... Trimless / Adjustable 148
		1862LED... Trim / Adjustable 148
φ116mm		W11161LED-S... Trimless / Fixed 158
		11161LED-S... Trim / Fixed 158
		W11162LED-S... Trimless / Adjustable 160
		11162LED-S... Trim / Adjustable 160
Round hole		1603LED... Fixed 170
		1604LED... Adjustable 172
		1863LED... Fixed 178
		1864LED... Adjustable 180
		11163LED... Fixed 186
		11164LED... Adjustable 188
Snout		W1606LED... Trimless / Adjustable 196
		1606LED... Trim / Adjustable 196
		W1867LED... Trimless / Adjustable 200
		1867LED... Trim / Adjustable 200
		W11165LED-S... Trimless / Adjustable 204

MR16 GU10		11165LED-S... Trim / Adjustable 204
		1861 / 1861F... Fixed 210
		1862 / 1862F... Adjustable 211
MR16 GU10		1863 / 1863F... Fixed 212
		1864 / 1864F... Adjustable 213
Grid / S		W2921LED... Trimless / Single head 218
		2921LED... Trim / Single head 218
		W2922LED... Trimless / Double heads 220
		2922LED... Trim / Double heads 220
		W2923LED... Trimless / Triple heads 222
		2923LED... Trim / Triple heads 222
Grid / M		W21301LED... Trimless / Single head 228
		21301LED... Trim / Single head 228
		W21302LED... Trimless / Double heads 230
		21302LED... Trim / Double heads 230
		W21303LED... Trimless / Triple heads 232
21303LED... Trim / Triple heads 232		

Experience when the light gives a way to the shadow.





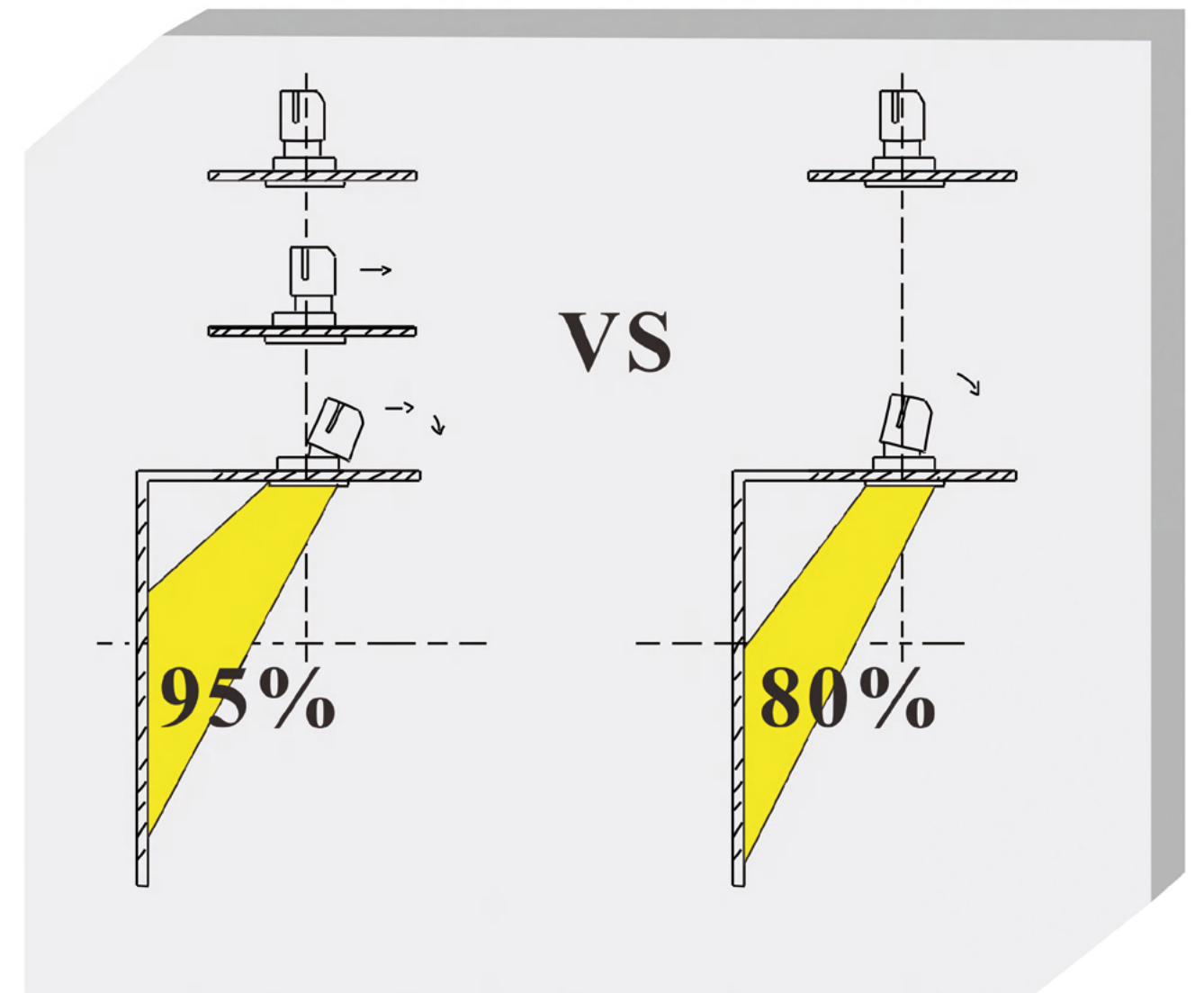
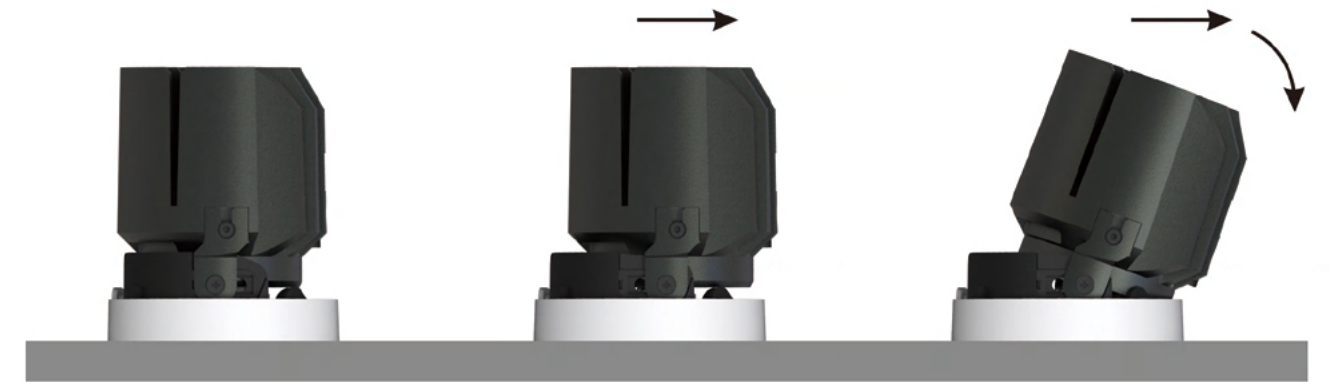
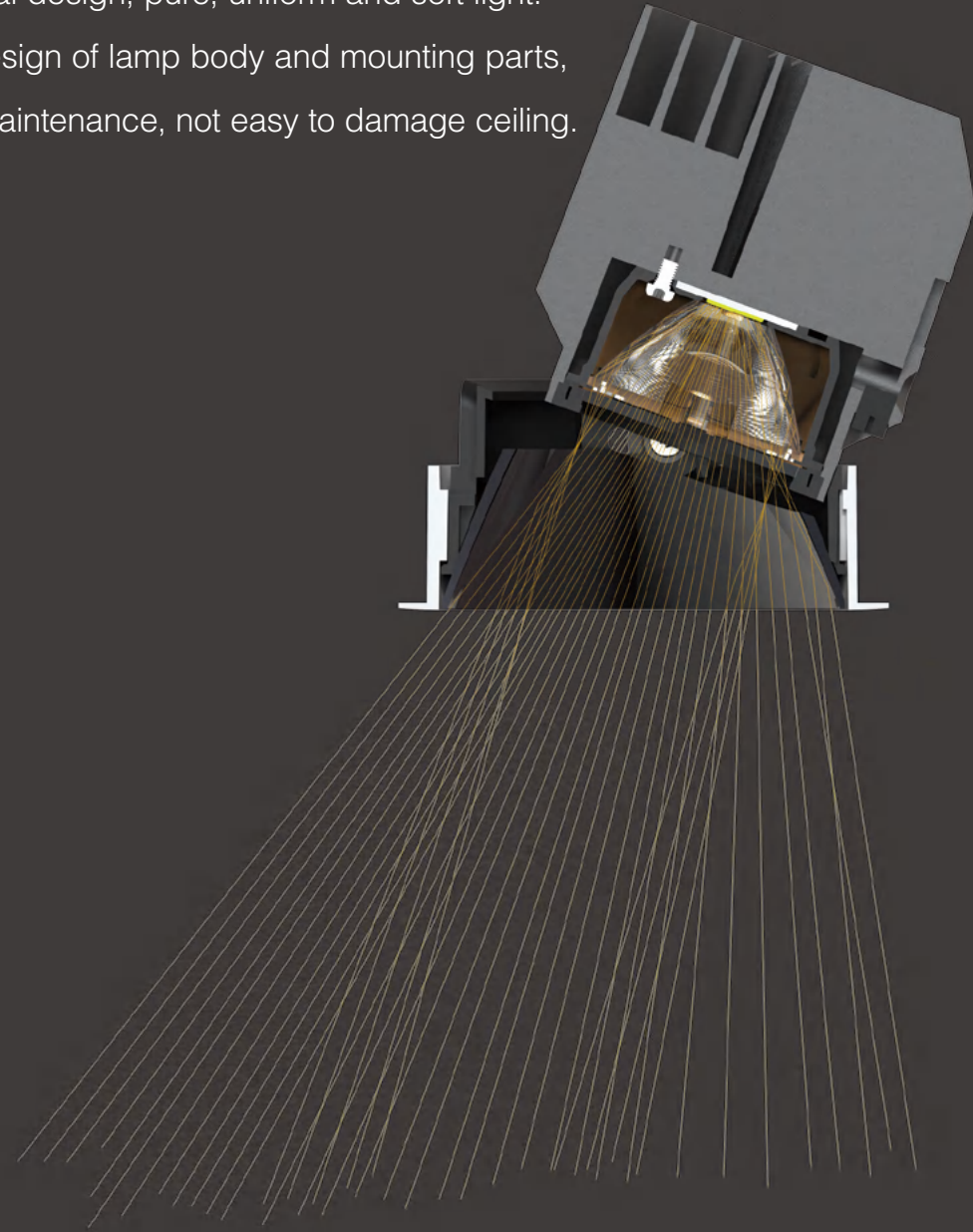
I propose to build for eternity.

Filippo Brunelleschi

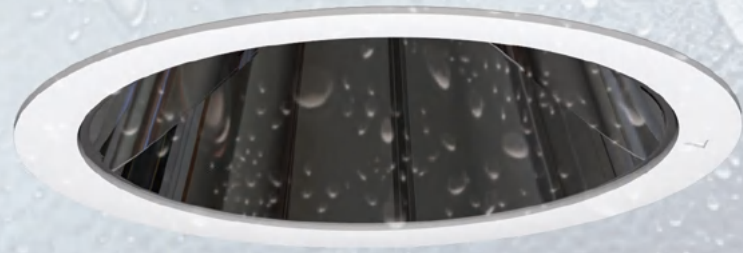
· Dome of Florence Cathedral

LUNA Spotlight

- Integrated conduction, convection and radiation heat sink, high heat dissipation efficiency.
- Lens + reflector design, precise light control technology, precise angle.
- COB chip technology with maximum efficiency, deep anti-glare design.
- Special optical design, pure, uniform and soft light.
- Separated design of lamp body and mounting parts, convenient maintenance, not easy to damage ceiling.





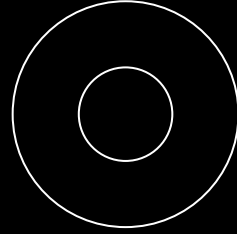
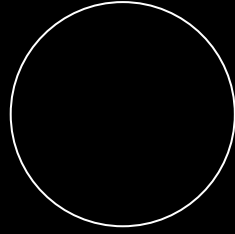




Size

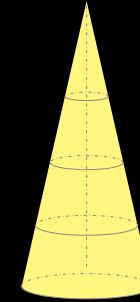
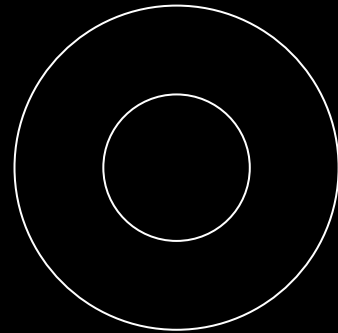
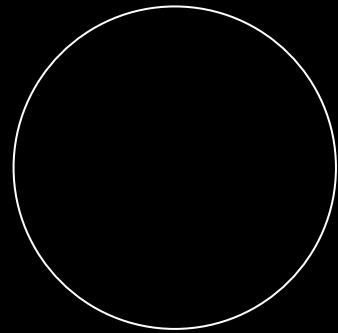
Optical

φ60mm



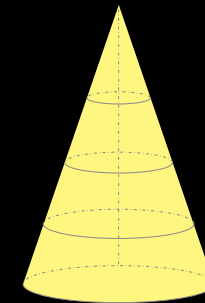
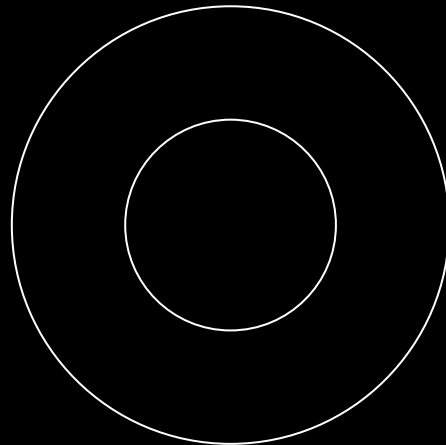
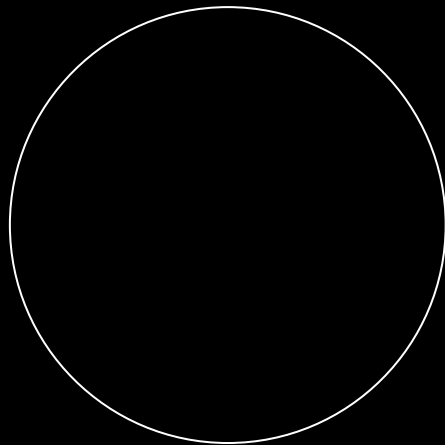
spot

φ86mm

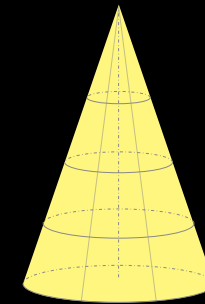


med.

φ116mm



flood



Oval flood



LUNA

Trimless W1601LED
Trim 1601LED



Quickinfo

GENERAL
Recessed
IP20~IP54

LED
CITIZEN
5W, 7W
2700K, 3000K, 4000K, 5000K
50000h@L80
CRI≥90
SDCM: 3

OPTICAL
Direct illumination
Beam angle 15°/20°/25°/30°/15°x40°
Optical accessories

ELECTRICAL
NON-DIM
PHASE
1-10V
DALI
BLUETOOTH

PHYSICAL
Aluminum



Description

Exquisite physique design makes it suitable for all kinds of low ceiling and narrow space.

Applications

Star-rated Hotels, Villas, Residential buildings, etc.

Features



Standard configuration

COLOUR TEMPERATURE
2700K
3000K

CONTROL
NON-DIM

OPTICAL
15°/20°/25°/30°/15°x40°

COLOUR(housing)
Gray+White

COLOUR(reflector)
Dark chrome, Specular, Gold, White, Black

Extended configuration

COLOUR TEMPERATURE
4000K
5000K

CONTROL
DALI, PHASE, 1-10V

COLOUR(housing)
Black+White

IP
54(CREE; 15°/24°/15°x30°)

Options on request

CONTROL
BLUETOOTH

Parameters

POWER	VF	CURRENT	CCT	LUMINOUS FLUX
5W	36V	120mA	2700K 3000K	282~360 lm 321~390 lm
7W	36V	150mA	2700K 3000K	338~432 lm 383~468 lm

Test standards:
Citizen COB, CRI 90, tolerance range of electrical and optical parameters: ±10%.

Light Distribution

7W 15° 3000K Ra90			7W 20° 3000K Ra90			7W 25° 3000K Ra90		
H(m)	E(lx)	D(m)	H(m)	E(lx)	D(m)	H(m)	E(lx)	D(m)
1	3499	0.23	1	2679	0.35	1	1951	0.44
2	875	0.45	2	670	0.69	2	488	0.87
3	389	0.68	3	298	1.04	3	217	1.31
4	219	0.90	4	168	1.39	4	122	1.74
5	140	1.13	5	107	1.73	5	78	2.18

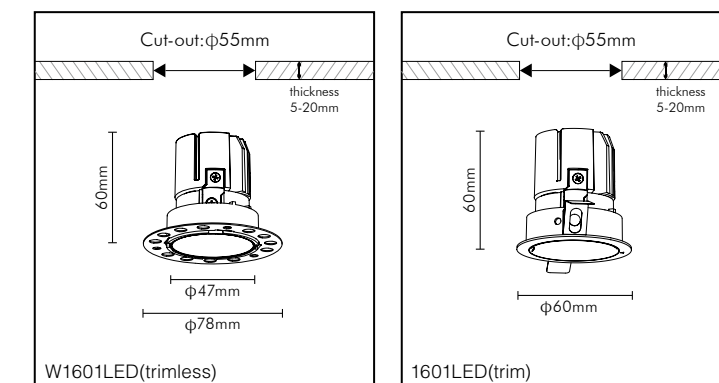
7W 30° 3000K Ra90			7W 15°x40° 3000K Ra90		
H(m)	E(lx)	D(m)	H(m)	E(lx)	D(m)
1	1469	0.57	1	1348	0.28
2	367	1.14	2	337	0.56
3	163	1.70	3	150	0.85
4	92	2.27	4	84	1.13
5	59	2.84	5	54	1.41

Light effect and planning aid



Emphasis of objects or architectural elements.

Technical drawing



LUNA

Trimless W1602LED
Trim 1602LED



Quickinfo

GENERAL
Recessed
IP20~IP54

LED
CITIZEN
5W, 7W
2700K, 3000K, 4000K, 5000K
50000h@L80
CRI≥90
SDCM: 3

OPTICAL
Direct illumination
Beam angle 15°/20°/25°/30°/15°x40°
Optical accessories

ELECTRICAL
NON-DIM
PHASE
1-10V
DALI
BLUETOOTH

PHYSICAL
Aluminum



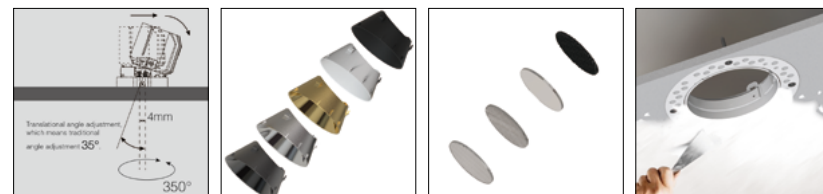
Description

The exquisite physique and adjustable angle design make it suitable for accurately projecting light on objects in various spaces, highlighting individual areas or objects.

Applications

Star-rated Hotels, Villas, Residential buildings, etc.

Features



Standard configuration

COLOUR TEMPERATURE
2700K
3000K

CONTROL
NON-DIM

OPTICAL
15°/20°/25°/30°/15°x40°

COLOUR(housing)
Gray+White

COLOUR(reflector)
Dark chrome, Specular, Gold, White, Black

Extended configuration

COLOUR TEMPERATURE
4000K
5000K

CONTROL
DALI, PHASE, 1-10V

COLOUR(housing)
Black+White

IP
54(CREE COB; 15°/24°/15°x30°)

Options on request

CONTROL
BLUETOOTH

Parameters

POWER	VF	CURRENT	CCT	LUMINOUS FLUX
5W	36V	120mA	2700K	282~374 lm
			3000K	326~391 lm
7W	36V	150mA	2700K	338~430 lm
			3000K	389~470 lm

Test standards:
Citizen COB, CRI 90, tolerance range of electrical and optical parameters: ±10%.

Light Distribution

7W 15° 3000K Ra90			7W 20° 3000K Ra90			7W 25° 3000K Ra90		
H(m)	E(lx)	D(m)	H(m)	E(lx)	D(m)	H(m)	E(lx)	D(m)
1	3554	0.23	1	2751	0.35	1	1938	0.44
2	889	0.46	2	688	0.70	2	485	0.88
3	395	0.70	3	306	1.05	3	215	1.31
4	222	0.93	4	172	1.40	4	121	1.75
5	142	1.16	5	110	1.75	5	78	2.19

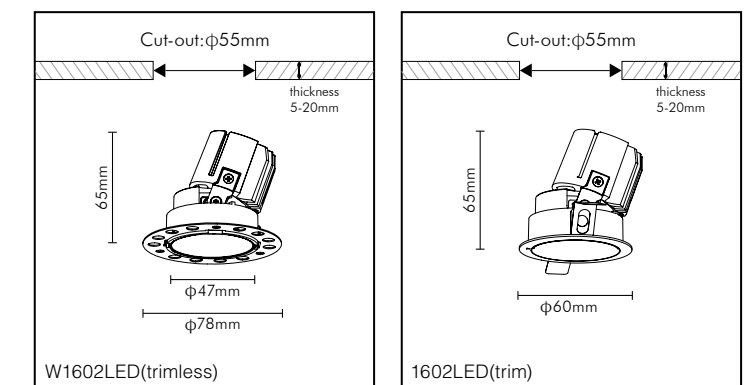
7W 30° 3000K Ra90			7W 15°x40° 3000K Ra90		
H(m)	E(lx)	D(m)	H(m)	E(lx)	D(m)
1	1516	0.55	1	1348	0.28
2	379	1.11	2	337	0.56
3	169	1.66	3	150	0.85
4	95	2.21	4	84	1.13
5	61	2.77	5	54	1.41

Light effect and planning aid



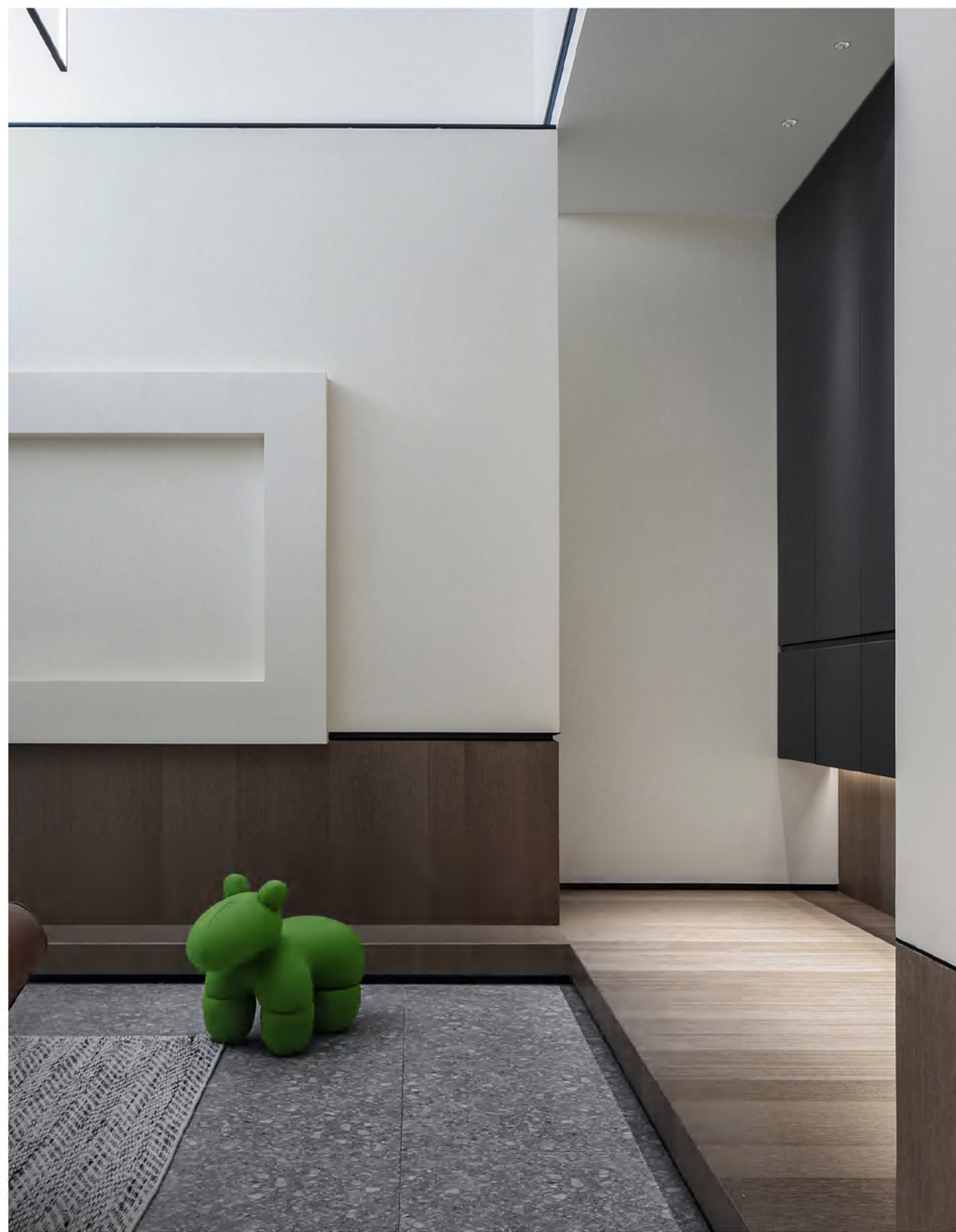
Emphasis of objects or architectural elements.

Technical drawing









LUNA

Trimless W1861LED
Trim 1861LED



Quickinfo

GENERAL
Recessed
IP20~IP54

LED
CITIZEN
8W, 10W, 12W, 15W
2700K, 3000K, 4000K, 5000K
50000h@L80
CRI≥90
SDCM: 3

OPTICAL
Direct illumination
Beam angle 15°/24°/38°/15°x40°
Optical accessories

ELECTRICAL
NON-DIM
PHASE
1-10V
DALI
BLUETOOTH

PHYSICAL
Aluminum



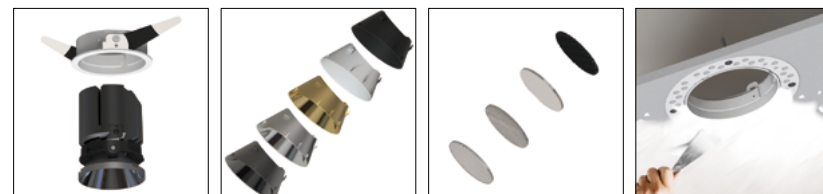
Description

Accurate light control technology, every beam of light is accurately projected in the necessary place.

Applications

Star-rated Hotels, Villas, Residential buildings, etc.

Features



Standard configuration

COLOUR TEMPERATURE
2700K
3000K

CONTROL
NON-DIM

OPTICAL
15°/24°/38°/15°x40°

COLOUR(housing)
Gray+White

COLOUR(reflector)
Dark chrome, Specular, Gold, White, Black

Extended configuration

COLOUR TEMPERATURE
4000K
5000K

CONTROL
DALI, PHASE, 1-10V

COLOUR(housing)
Black+White

Options on request

CONTROL
BLUETOOTH

Parameters

POWER	VF	CURRENT	CCT	LUMINOUS FLUX
8W	31V	250mA	2700K	621~671 lm
			3000K	642~693 lm
10W	31V	300mA	2700K	696~789 lm
			3000K	753~799 lm
12W	31V	350mA	2700K	821~932 lm
			3000K	837~888 lm
15W	31V	400mA	2700K	889~1020 lm
			3000K	939~1033 lm

Test standards:
Citizen COB, CRI 90, tolerance range of electrical and optical parameters: ±10%.

Light Distribution

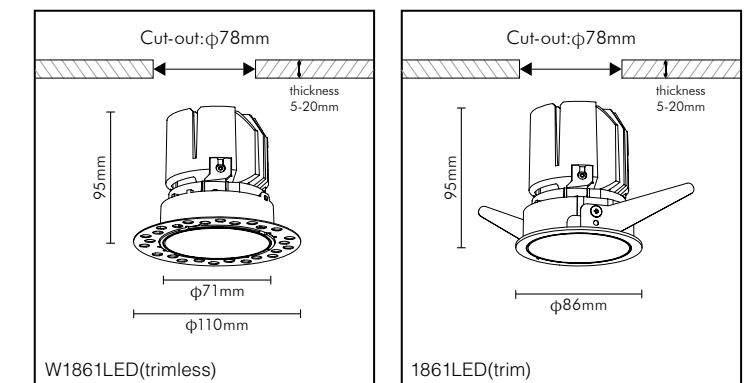
15W 15° 3000K Ra90			15W 24° 3000K Ra90			15W 38° 3000K Ra90			15W 15°x40° 3000K Ra90		
H(m)	E(lx)	D(m)	H(m)	E(lx)	D(m)	H(m)	E(lx)	D(m)	H(m)	E(lx)	D(m)
3	1091	0.77	3	593	1.27	3	252	2.07	3	424	0.78
4	614	1.02	4	333	1.70	4	142	2.75	4	238	1.04
5	393	1.28	5	213	2.12	5	91	3.44	5	153	1.31
6	273	1.53	6	148	2.55	6	63	4.13	6	106	1.57
7	201	1.79	7	109	2.97	7	46	4.82	7	78	1.83

Light effect and planning aid



Emphasis of objects or architectural elements.

Technical drawing



LUNA

Trimless W1862LED
Trim 1862LED



Quickinfo

GENERAL
Recessed
IP20~IP54

LED
CITIZEN
8W, 10W, 12W, 15W
2700K, 3000K, 4000K, 5000K
50000h@L80
CRI≥90
SDCM: 3

OPTICAL
Direct illumination
Beam angle 15°/24°/38°/15°x40°
Optical accessories

ELECTRICAL
NON-DIM
PHASE
1-10V
DALI
BLUETOOTH

PHYSICAL
Aluminum



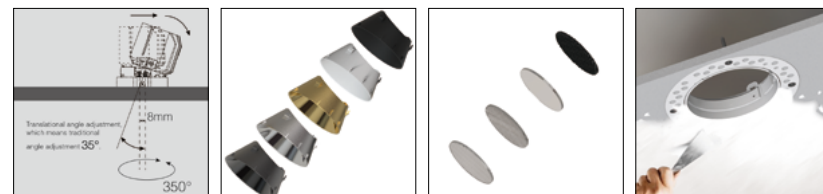
Description

Accurate light control technology, and adjustable angle design, each beam of light can be accurately projected to distant objects.

Applications

Star-rated Hotels, Villas, Residential buildings, etc.

Features



Standard configuration

COLOUR TEMPERATURE
2700K
3000K

CONTROL
NON-DIM

OPTICAL
15°/24°/38°/15°x40°

COLOUR(housing)
Gray+White

COLOUR(reflector)
Dark chrome, Specular, Gold, White, Black

Extended configuration

COLOUR TEMPERATURE
4000K
5000K

CONTROL
DALI, PHASE, 1-10V

COLOUR(housing)
Black+White

Options on request

CONTROL
BLUETOOTH

Parameters

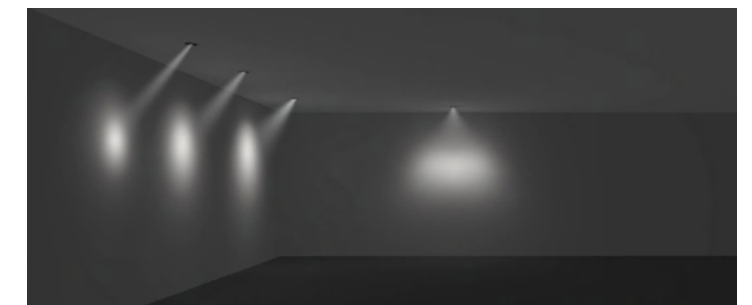
POWER	VF	CURRENT	CCT	LUMINOUS FLUX
8W	31V	250mA	2700K	621~671 lm
			3000K	655~721 lm
10W	31V	300mA	2700K	696~789 lm
			3000K	747~799 lm
12W	31V	350mA	2700K	819~932 lm
			3000K	844~912 lm
15W	31V	400mA	2700K	889~1020 lm
			3000K	928~1033 lm

Test standards:
Citizen COB, CRI 90, tolerance range of electrical and optical parameters: ±10%.

Light Distribution

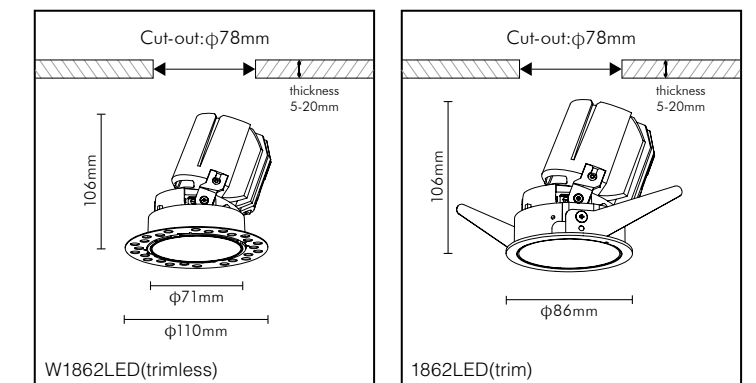
15W 15° 3000K Ra90			15W 24° 3000K Ra90			15W 38° 3000K Ra90			15W 15°x40° 3000K Ra90		
H(m)	E(lx)	D(m)	H(m)	E(lx)	D(m)	H(m)	E(lx)	D(m)	H(m)	E(lx)	D(m)
3	1153	0.75	3	611	1.26	3	274	1.96	3	424	0.78
4	649	1.00	4	344	1.68	4	154	2.61	4	238	1.04
5	415	1.25	5	220	2.09	5	99	3.26	5	153	1.31
6	288	1.50	6	153	2.51	6	69	3.91	6	106	1.57
7	212	1.75	7	112	2.93	7	50	4.56	7	78	1.83

Light effect and planning aid



Emphasis of objects or architectural elements.

Technical drawing





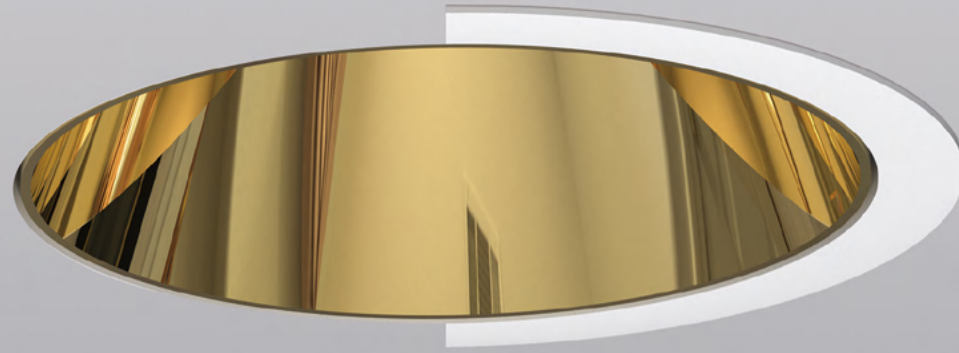


47

21 47

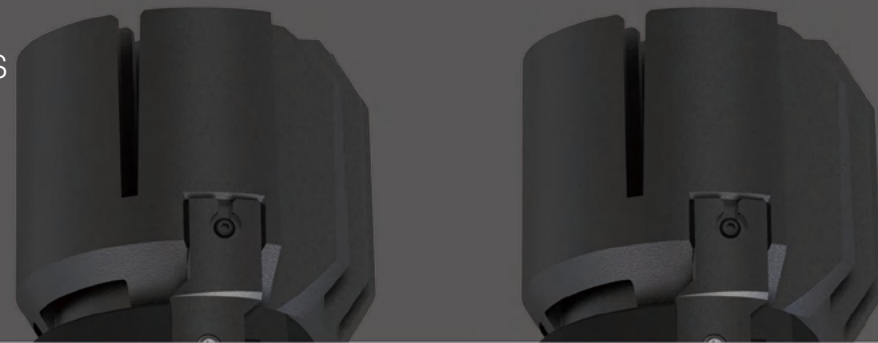
21 47





LUNA

Trimless W11161LED-S
Trim 11161LED-S



Quickinfo

GENERAL
Recessed
IP20~IP54

LED
CITIZEN
20W, 25W, 30W
2700K, 3000K, 4000K, 5000K
50000h@L80
CRI≥90
SDCM: 3

OPTICAL
Direct illumination
Beam angle 15°/24°/38°/15°x40°
Optical accessories

ELECTRICAL
NON-DIM
PHASE
1-10V
DALI
BLUETOOTH

PHYSICAL
Aluminum



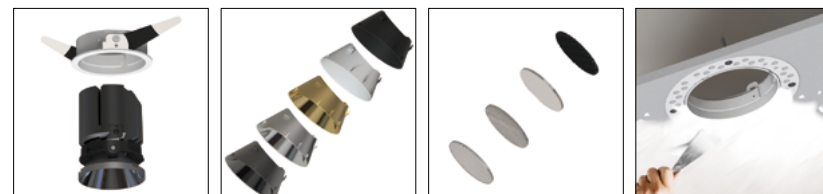
Description

High efficiency spotlight technology provides more luminous flux and brightness.

Applications

Star-rated Hotels, Villas, Residential buildings, etc.

Features



Standard configuration

COLOUR TEMPERATURE
2700K
3000K

CONTROL
NON-DIM

OPTICAL
15°/24°/38°/15°x40°

COLOUR(housing)
Gray+White

COLOUR(reflector)
Dark chrome, Specular, Gold, White, Black

Extended configuration

COLOUR TEMPERATURE
4000K
5000K

CONTROL
DALI, PHASE, 1-10V

COLOUR(housing)
Black+White

Options on request

CONTROL
BLUETOOTH

Parameters

POWER	VF	CURRENT	CCT	LUMINOUS FLUX
20W	36V	500mA	2700K	1253~1446 lm
			3000K	1278~1615 lm
25W	36V	600mA	2700K	1495~1707 lm
			3000K	1505~1833 lm
30W	36V	700mA	2700K	1678~1918 lm
			3000K	1701~2072 lm

Test standards:
Citizen COB, CRI 90, tolerance range of electrical and optical parameters: ±10%.

Light Distribution

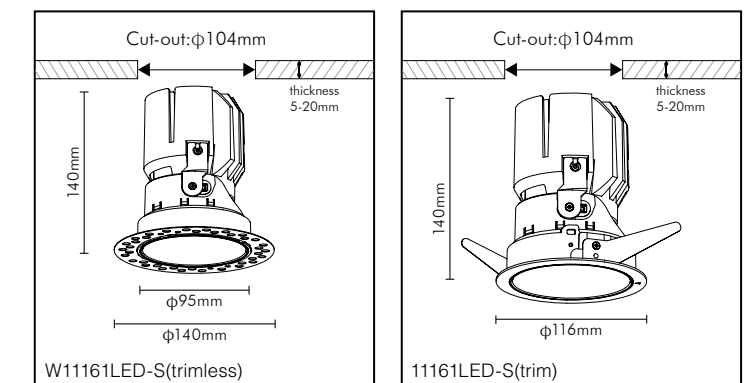
30W 15° 3000K Ra90			30W 24° 3000K Ra90			30W 38° 3000K Ra90			30W 15°x40° 3000K Ra90		
H(m)	E(lx)	D(m)	H(m)	E(lx)	D(m)	H(m)	E(lx)	D(m)	H(m)	E(lx)	D(m)
3	2066	0.85	3	1029	1.27	3	580	1.85	3	673	0.90
4	1162	1.13	4	579	1.70	4	326	2.47	4	378	1.21
5	744	1.41	5	370	2.12	5	209	3.09	5	242	1.51
6	517	1.69	6	257	2.55	6	145	3.71	6	168	1.81
7	380	1.97	7	189	2.97	7	107	4.33	7	124	2.11

Light effect and planning aid



Emphasis of objects or architectural elements.

Technical drawing



LUNA

Trimless W11162LED-S
Trim 11162LED-S



Quickinfo

GENERAL
Recessed
IP20~IP54

LED
CITIZEN
20W, 25W, 30W
2700K, 3000K, 4000K, 5000K
50000h@L80
CRI≥90
SDCM: 3

OPTICAL
Direct illumination
Beam angle 15°/24°/38°/15°x40°
Optical accessories

ELECTRICAL
NON-DIM
PHASE
1-10V
DALI
BLUETOOTH

PHYSICAL
Aluminum



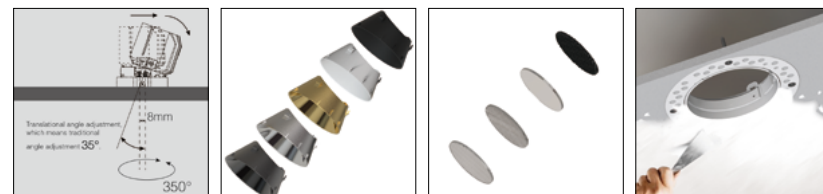
Description

High efficiency spotlight technology and adjustable angle design provide more luminous flux and brightness for higher and larger space, and can project light to a longer distance.

Applications

Star-rated Hotels, Villas, Residential buildings, etc.

Features



Standard configuration

COLOUR TEMPERATURE
2700K
3000K

CONTROL
NON-DIM

OPTICAL
15°/24°/38°/15°x40°

COLOUR(housing)
Gray+White

COLOUR(reflector)
Dark chrome, Specular, Gold, White, Black

Extended configuration

COLOUR TEMPERATURE
4000K
5000K

CONTROL
DALI, PHASE, 1-10V

COLOUR(housing)
Black+White

Options on request

CONTROL
BLUETOOTH

Parameters

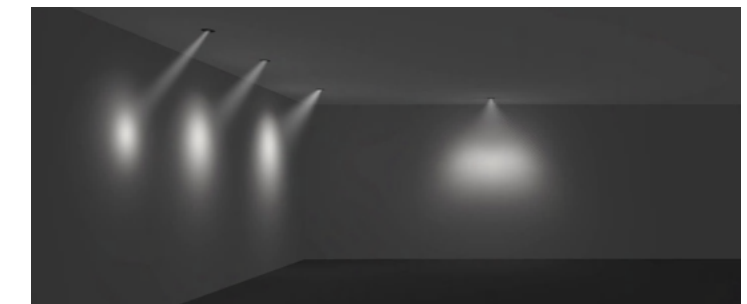
POWER	VF	CURRENT	CCT	LUMINOUS FLUX
20W	36V	500mA	2700K	1253~1446 lm
			3000K	1278~1580 lm
25W	36V	600mA	2700K	1495~1707 lm
			3000K	1505~1824 lm
30W	36V	700mA	2700K	1678~1918 lm
			3000K	1701~2018 lm

Test standards:
Citizen COB, CRI 90, tolerance range of electrical and optical parameters: ±10%.

Light Distribution

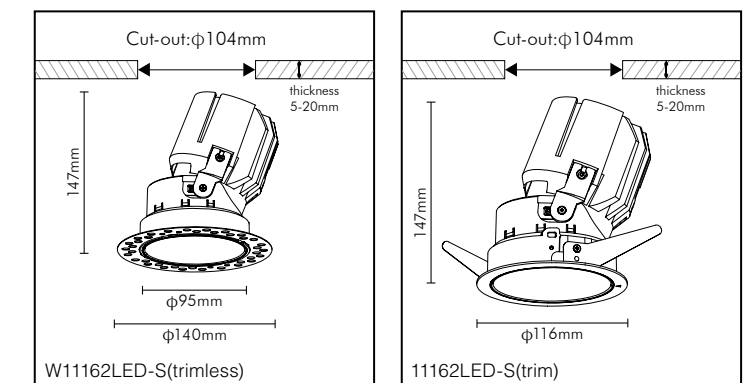
30W 15° 3000K Ra90			30W 24° 3000K Ra90			30W 38° 3000K Ra90			30W 15°x40° 3000K Ra90		
H(m)	E(lx)	D(m)	H(m)	E(lx)	D(m)	H(m)	E(lx)	D(m)	H(m)	E(lx)	D(m)
3	2090	0.83	3	1072	1.24	3	588	1.85	3	673	0.90
4	1176	1.10	4	603	1.65	4	331	2.46	4	378	1.21
5	752	1.38	5	386	2.06	5	212	3.08	5	242	1.51
6	523	1.65	6	268	2.47	6	147	3.69	6	168	1.81
7	384	1.93	7	197	2.88	7	108	4.31	7	124	2.11

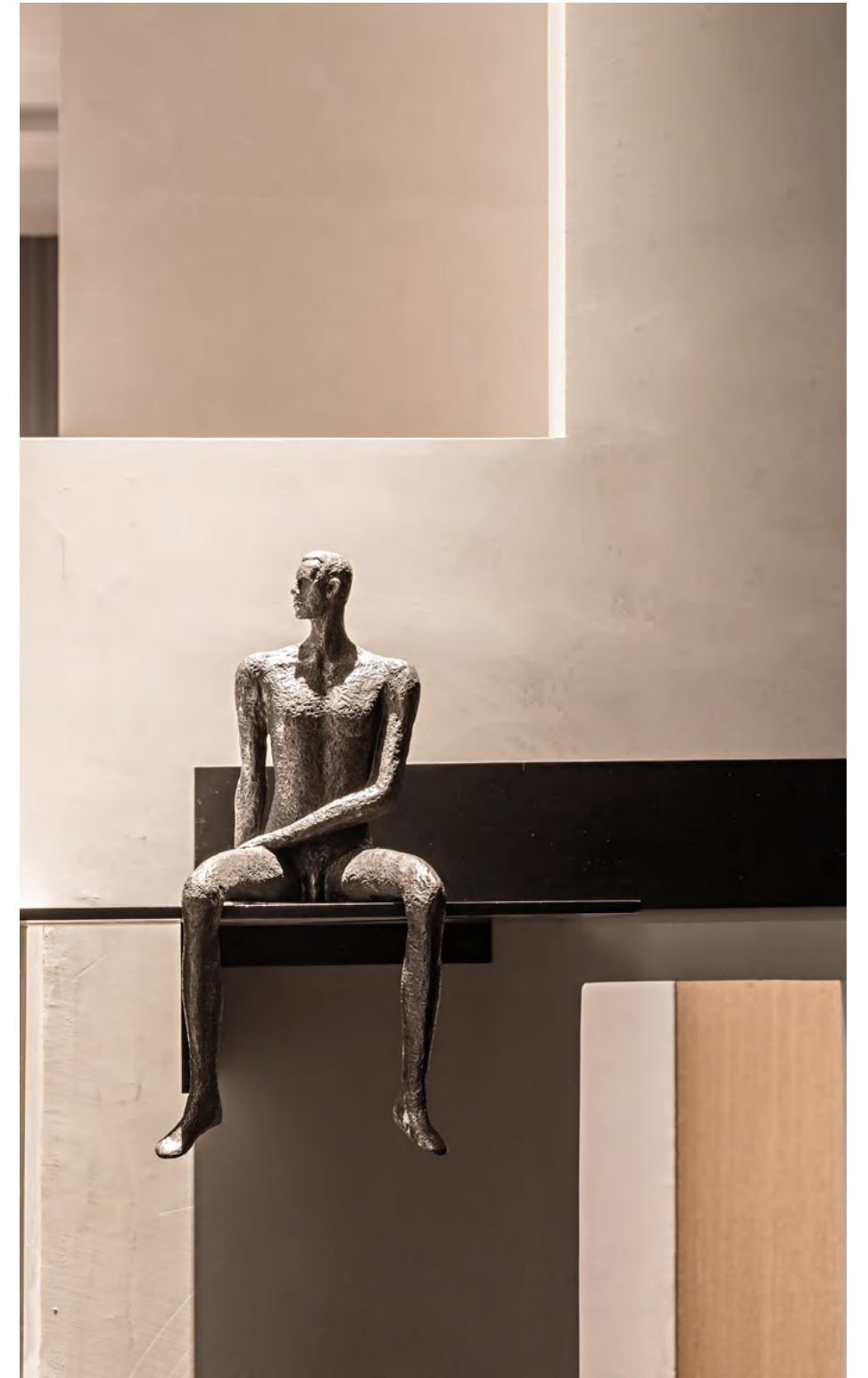
Light effect and planning aid



Emphasis of objects or architectural elements.

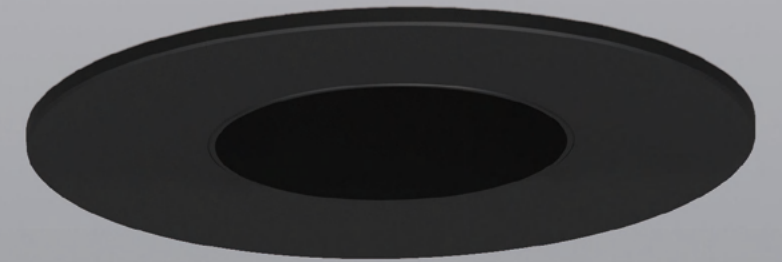
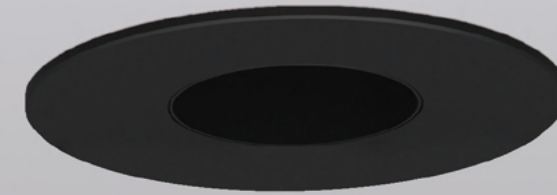
Technical drawing











LUNA

1603LED



Standard configuration

COLOUR TEMPERATURE
2700K
3000K

CONTROL
NON-DIM

OPTICAL
15°/20°/25°/30°/15°x30°

COLOUR(housing)
Gray+White

COLOUR(reflector)
Black

Extended configuration

COLOUR TEMPERATURE
4000K
5000K

CONTROL
DALI, PHASE, 1-10V

COLOUR(housing)
Black+White

IP
54(CREE; 15°/24°/15°x30°)

Options on request

CONTROL
BLUETOOTH

Parameters

POWER	VF	CURRENT	CCT	LUMINOUS FLUX
5W	36V	120mA	2700K 3000K	204~294 lm 209~308 lm
7W	36V	150mA	2700K 3000K	250~348 lm 254~369 lm

Test standards:
Citizen COB, CRI 90, tolerance range of electrical and optical parameters: ±10%.

Light Distribution

7W 15° 3000K Ra90			7W 20° 3000K Ra90			7W 25° 3000K Ra90		
H(m)	E(lx)	D(m)	H(m)	E(lx)	D(m)	H(m)	E(lx)	D(m)
1	3651	0.21	1	2725	0.30	1	1969	0.40
2	913	0.42	2	681	0.59	2	492	0.81
3	406	0.63	3	303	0.89	3	219	1.21
4	228	0.84	4	170	1.19	4	123	1.61
5	146	1.05	5	109	1.49	5	79	2.02

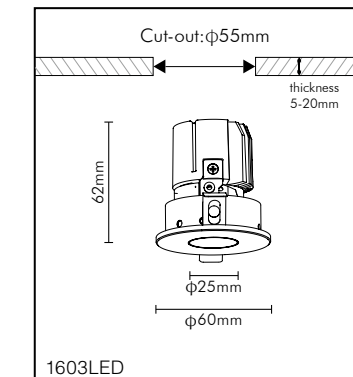
7W 30° 3000K Ra90			7W 15°x30° 3000K Ra90		
H(m)	E(lx)	D(m)	H(m)	E(lx)	D(m)
1	1448	0.51	1	1347	0.25
2	362	1.01	2	337	0.49
3	161	1.52	3	150	0.74
4	91	2.02	4	84	0.98
5	58	2.53	5	54	1.23

Light effect and planning aid



Emphasis of objects or architectural elements.

Technical drawing



Quickinfo

GENERAL
Recessed
IP20~IP54

LED
CITIZEN
5W, 7W
2700K, 3000K, 4000K, 5000K
50000h@L80
CRI≥90
SDCM: 3

OPTICAL
Direct illumination
Beam angle 15°/20°/25°/30°/15°x30°
Optical accessories

ELECTRICAL
NON-DIM
PHASE
1-10V
DALI
BLUETOOTH

PHYSICAL
Aluminum



Description

Excellent waterproof function, it can play a better effect in wet space.

Applications

Star-rated Hotels, Villas, Residential buildings, etc.

Features



LUNA

1604LED



Standard configuration

COLOUR TEMPERATURE
2700K
3000K

CONTROL
NON-DIM

OPTICAL
15°/20°/25°/30°/15°x30°

COLOUR(housing)
Gray+White

COLOUR(reflector)
Black

Extended configuration

COLOUR TEMPERATURE
4000K
5000K

CONTROL
DALI, PHASE, 1-10V

COLOUR(housing)
Black+White

IP
54(CREE COB; 15°/24°/15°x30°)

Options on request

CONTROL
BLUETOOTH

Parameters

POWER	VF	CURRENT	CCT	LUMINOUS FLUX
5W	36V	120mA	2700K 3000K	204~287 lm 209~309 lm
7W	36V	150mA	2700K 3000K	242~343 lm 254~366 lm

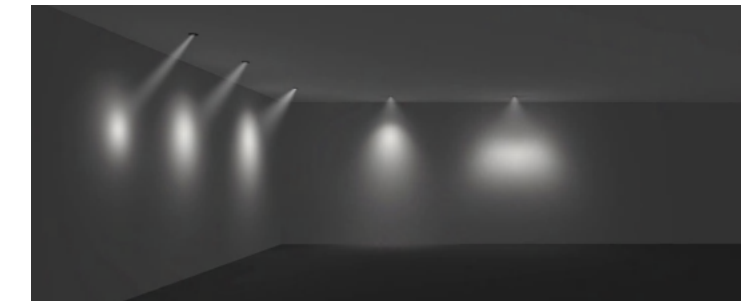
Test standards:
Citizen COB, CRI 90, tolerance range of electrical and optical parameters: ±10%.

Light Distribution

7W 15° 3000K Ra90			7W 20° 3000K Ra90			7W 25° 3000K Ra90		
H(m)	E(lx)	D(m)	H(m)	E(lx)	D(m)	H(m)	E(lx)	D(m)
1	3574	0.21	1	2649	0.30	1	1985	0.40
2	893	0.42	2	662	0.60	2	496	0.80
3	397	0.62	3	295	0.90	3	221	1.20
4	223	0.83	4	166	1.19	4	124	1.60
5	143	1.04	5	106	1.49	5	80	2.01

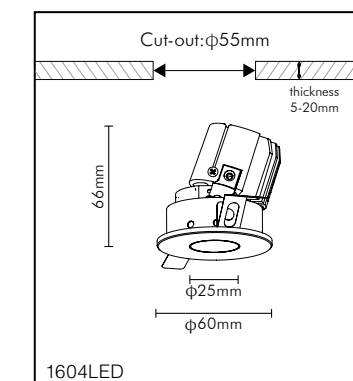
7W 30° 3000K Ra90			7W 15°x30° 3000K Ra90		
H(m)	E(lx)	D(m)	H(m)	E(lx)	D(m)
1	1452	0.50	1	1347	0.25
2	363	1.00	2	337	0.49
3	161	1.50	3	150	0.74
4	91	1.99	4	84	0.98
5	58	2.49	5	54	1.23

Light effect and planning aid



Emphasis of objects or architectural elements.

Technical drawing



Quickinfo

GENERAL
Recessed
IP20~IP54

LED
CITIZEN
5W, 7W
2700K, 3000K, 4000K, 5000K
50000h@L80
CRI≥90
SDCM: 3

OPTICAL
Direct illumination
Beam angle 15°/20°/25°/30°/15°x30°
Optical accessories

ELECTRICAL
NON-DIM
PHASE
1-10V
DALI
BLUETOOTH

PHYSICAL
Aluminum



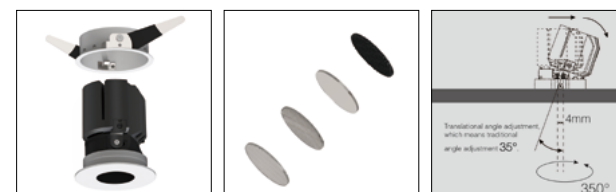
Description

Excellent waterproof function and adjustable angle design can accurately project light on objects in wet space, highlighting single areas or objects.

Applications

Star-rated Hotels, Villas, Residential buildings, etc.

Features

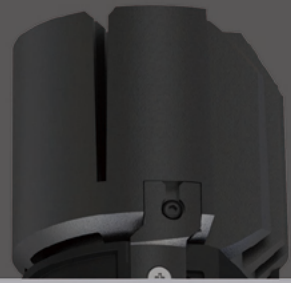






LUNA

1863LED



Standard configuration

COLOUR TEMPERATURE
2700K
3000K

CONTROL
NON-DIM

OPTICAL
15°/24°/38°/15°x30°

COLOUR(housing)
Gray+White

COLOUR(reflector)
Black

Parameters

POWER	VF	CURRENT	CCT	LUMINOUS FLUX
8W	31V	250mA	2700K	492~612 lm
			3000K	502~630 lm
10W	31V	300mA	2700K	539~693 lm
			3000K	551~735 lm
12W	31V	350mA	2700K	646~802 lm
			3000K	660~813 lm
15W	31V	400mA	2700K	708~868 lm
			3000K	715~908 lm

Test standards:
Citizen COB, CRI 90, tolerance range of electrical and optical parameters: ±10%.

Light Distribution

15W 15° 3000K Ra90			15W 24° 3000K Ra90			15W 38° 3000K Ra90			15W 15°x30° 3000K Ra90		
H(m)	E(lx)	D(m)	H(m)	E(lx)	D(m)	H(m)	E(lx)	D(m)	H(m)	E(lx)	D(m)
3	1126	0.71	3	580	1.28	3	239	2.06	3	398	0.76
4	633	0.95	4	326	1.71	4	134	2.74	4	224	1.01
5	405	1.19	5	209	2.13	5	86	3.43	5	143	1.27
6	281	1.43	6	145	2.56	6	60	4.11	6	100	1.52
7	207	1.67	7	106	2.98	7	44	4.80	7	73	1.77

Extended configuration

COLOUR TEMPERATURE
4000K
5000K

CONTROL
DALI, PHASE, 1-10V

COLOUR(housing)
Black+White

Options on request

CONTROL
BLUETOOTH

Quickinfo

GENERAL
Recessed
IP20~IP54

LED
CITIZEN
8W, 10W, 12W, 15W
2700K, 3000K, 4000K, 5000K
50000h@L80
CRI≥90
SDCM: 3

OPTICAL
Direct illumination
Beam angle 15°/24°/38°/15°x30°
Optical accessories

ELECTRICAL
NON-DIM
PHASE
1-10V
DALI
BLUETOOTH

PHYSICAL
Aluminum



Description

Circular deep cylinder design, enables precise light control and better glare control.

Applications

Star-rated Hotels, Villas, Residential buildings, etc.

Features

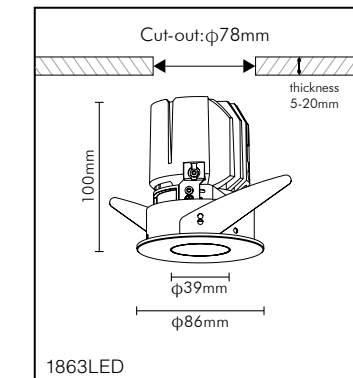


Light effect and planning aid



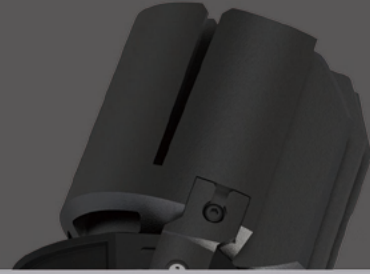
Emphasis of objects or architectural elements.

Technical drawing



LUNA

1864LED



Quickinfo

GENERAL
Recessed
IP20~IP54

LED
CITIZEN
8W, 10W, 12W, 15W
2700K, 3000K, 4000K, 5000K
50000h@L80
CRI≥90
SDCM: 3

OPTICAL
Direct illumination
Beam angle 15°/24°/38°/15°x30°
Optical accessories

ELECTRICAL
NON-DIM
PHASE
1-10V
DALI
BLUETOOTH

PHYSICAL
Aluminum



Description

The round deep barrel light outlet design has a better anti glare effect, which can control the glare and at the same time project the light on the object, highlighting a single area or object.

Applications

Star-rated Hotels, Villas, Residential buildings, etc.

Features



Standard configuration

COLOUR TEMPERATURE
2700K
3000K

CONTROL
NON-DIM

OPTICAL
15°/24°/38°/15°x30°

COLOUR(housing)
Gray+White

COLOUR(reflector)
Black

Extended configuration

COLOUR TEMPERATURE
4000K
5000K

CONTROL
DALI, PHASE, 1-10V

COLOUR(housing)
Black+White

Options on request

CONTROL
BLUETOOTH

Parameters

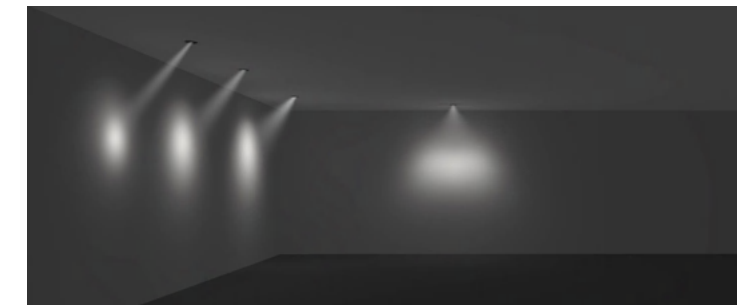
POWER	VF	CURRENT	CCT	LUMINOUS FLUX
8W	31V	250mA	2700K	492~879 lm
			3000K	502~626 lm
10W	31V	300mA	2700K	539~693 lm
			3000K	551~734 lm
12W	31V	350mA	2700K	646~802 lm
			3000K	660~841 lm
15W	31V	400mA	2700K	708~868 lm
			3000K	715~909 lm

Test standards:
Citizen COB, CRI 90, tolerance range of electrical and optical parameters: ±10%.

Light Distribution

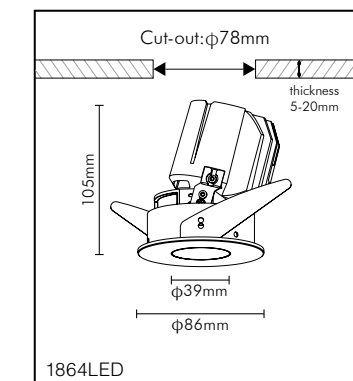
15W 15° 3000K Ra90			15W 24° 3000K Ra90			15W 38° 3000K Ra90			15W 15°x30° 3000K Ra90		
H(m)	E(lx)	D(m)	H(m)	E(lx)	D(m)	H(m)	E(lx)	D(m)	H(m)	E(lx)	D(m)
3	1090	0.72	3	579	1.28	3	239	2.06	3	398	0.76
4	613	0.96	4	326	1.71	4	135	2.75	4	224	1.01
5	392	1.20	5	208	2.13	5	86	3.43	5	143	1.27
6	273	1.44	6	145	2.56	6	60	4.12	6	100	1.52
7	200	1.68	7	106	2.99	7	44	4.81	7	73	1.77

Light effect and planning aid

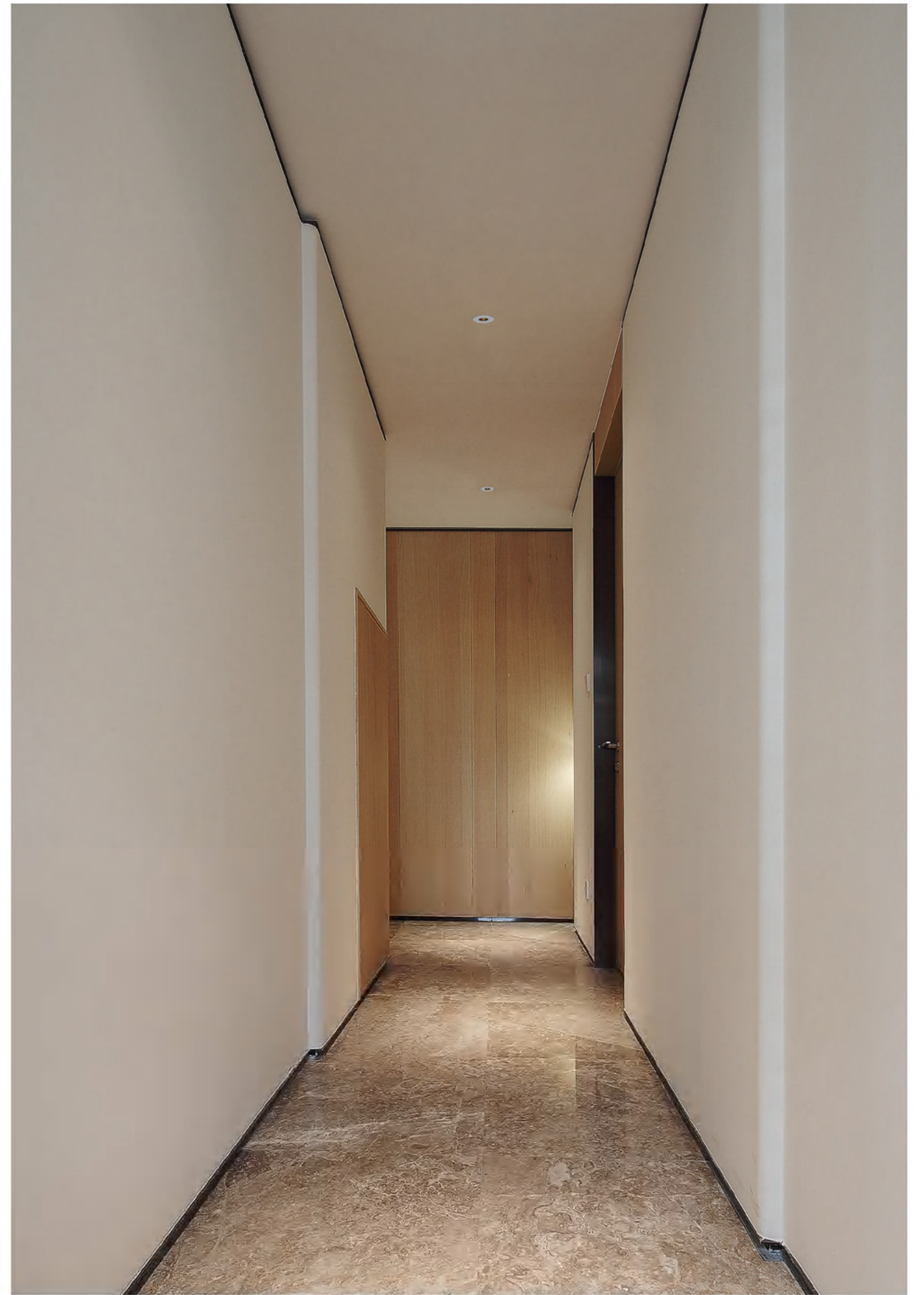


Emphasis of objects or architectural elements.

Technical drawing



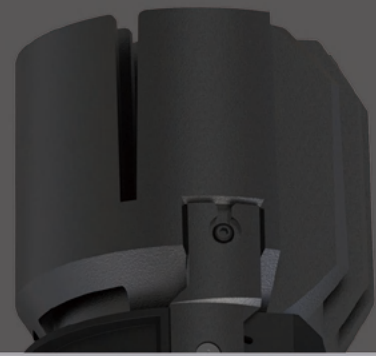
1864LED





LUNA

11163LED



Quickinfo

GENERAL
Recessed
IP20~IP54

LED
CITIZEN
20W, 25W, 30W
2700K, 3000K, 4000K, 5000K
50000h@L80
CRI≥90
SDCM: 3

OPTICAL
Direct illumination
Beam angle 15°/24°/38°/15°x30°
Optical accessories

ELECTRICAL
NON-DIM
PHASE
1-10V
DALI
BLUETOOTH

PHYSICAL
Aluminum



Description

The high-power circular deep cylinder light outlet design can achieve better anti glare effect, and provide more luminous flux and brightness for your space.

Applications

Star-rated Hotels, Villas, Residential buildings, etc.

Features



Standard configuration

COLOUR TEMPERATURE
2700K
3000K

CONTROL
NON-DIM

OPTICAL
15°/24°/38°/15°x30°

COLOUR(housing)
Gray+White

COLOUR(reflector)
Black

Extended configuration

COLOUR TEMPERATURE
4000K
5000K

CONTROL
DALI, PHASE, 1-10V

COLOUR(housing)
Black+White

Options on request

CONTROL
BLUETOOTH

Parameters

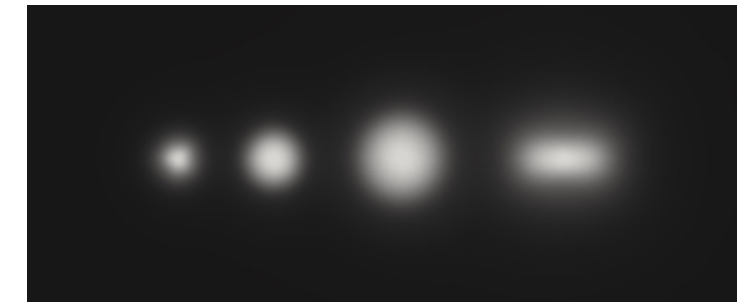
POWER	VF	CURRENT	CCT	LUMINOUS FLUX
20W	36V	500mA	2700K	905~1358 lm
			3000K	911~1402 lm
25W	36V	600mA	2700K	1119~1593 lm
			3000K	1132~1602 lm
30W	36V	700mA	2700K	1257~1754 lm
			3000K	1260~1772 lm

Test standards:
Citizen COB, CRI 90, tolerance range of electrical and optical parameters: ±10%.

Light Distribution

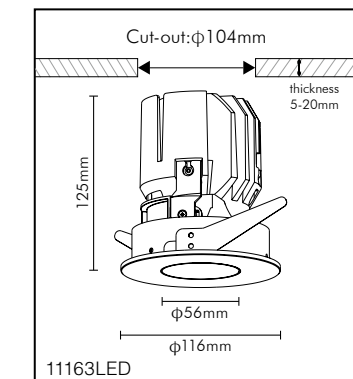
30W 15° 3000K Ra90			30W 24° 3000K Ra90			30W 38° 3000K Ra90			30W 15°x30° 3000K Ra90		
H(m)	E(lx)	D(m)	H(m)	E(lx)	D(m)	H(m)	E(lx)	D(m)	H(m)	E(lx)	D(m)
3	2012	0.76	3	1030	1.25	3	571	1.83	3	624	0.81
4	1132	1.01	4	580	1.67	4	321	2.44	4	351	1.08
5	724	1.26	5	371	2.09	5	206	3.05	5	225	1.35
6	503	1.51	6	258	2.51	6	143	3.66	6	156	1.62
7	370	1.76	7	189	2.93	7	105	4.27	7	115	1.89

Light effect and planning aid



Emphasis of objects or architectural elements.

Technical drawing



LUNA

11164LED



Standard configuration

COLOUR TEMPERATURE
2700K
3000K

CONTROL
NON-DIM

OPTICAL
15°/24°/38°/15°x30°

COLOUR(housing)
Gray+White

COLOUR(reflector)
Black

Extended configuration

COLOUR TEMPERATURE
4000K
5000K

CONTROL
DALI, PHASE, 1-10V

COLOUR(housing)
Black+White

Options on request

CONTROL
BLUETOOTH

Parameters

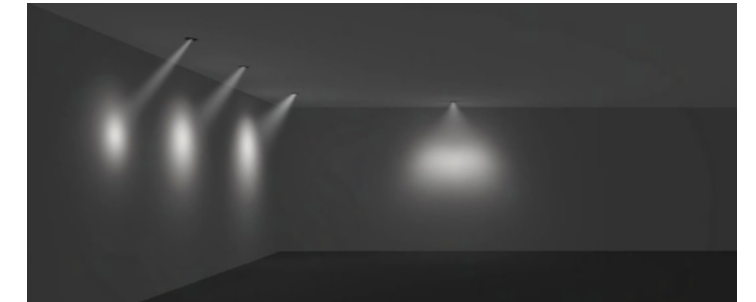
POWER	VF	CURRENT	CCT	LUMINOUS FLUX
20W	36V	500mA	2700K	905~1358 lm
			3000K	911~1421 lm
25W	36V	600mA	2700K	1119~1593 lm
			3000K	1132~1607 lm
30W	36V	700mA	2700K	1257~1759 lm
			3000K	1260~1772 lm

Test standards:
Citizen COB, CRI 90, tolerance range of electrical and optical parameters: ±10%.

Light Distribution

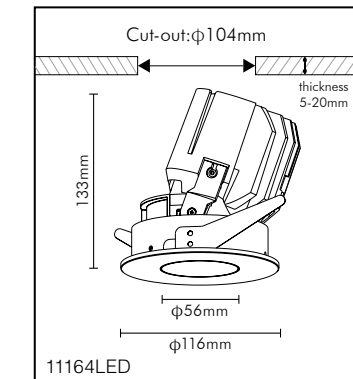
30W 15° 3000K Ra90			30W 24° 3000K Ra90			30W 38° 3000K Ra90			30W 15°x30° 3000K Ra90		
H(m)	E(lx)	D(m)	H(m)	E(lx)	D(m)	H(m)	E(lx)	D(m)	H(m)	E(lx)	D(m)
3	2013	0.75	3	1030	1.25	3	570	1.83	3	624	0.81
4	1132	1.00	4	580	1.67	4	321	2.44	4	351	1.08
5	725	1.25	5	371	2.08	5	205	3.05	5	225	1.35
6	503	1.50	6	258	2.50	6	143	3.66	6	156	1.62
7	370	1.75	7	189	2.92	7	105	4.26	7	115	1.89

Light effect and planning aid



Emphasis of objects or architectural elements.

Technical drawing



Quickinfo

GENERAL
Recessed
IP20~IP54

LED
CITIZEN
20W, 25W, 30W
2700K, 3000K, 4000K, 5000K
50000h@L80
CRI≥90
SDCM: 3

OPTICAL
Direct illumination
Beam angle 15°/24°/38°/15°x30°
Optical accessories

ELECTRICAL
NON-DIM
PHASE
1-10V
DALI
BLUETOOTH

PHYSICAL
Aluminum



Description

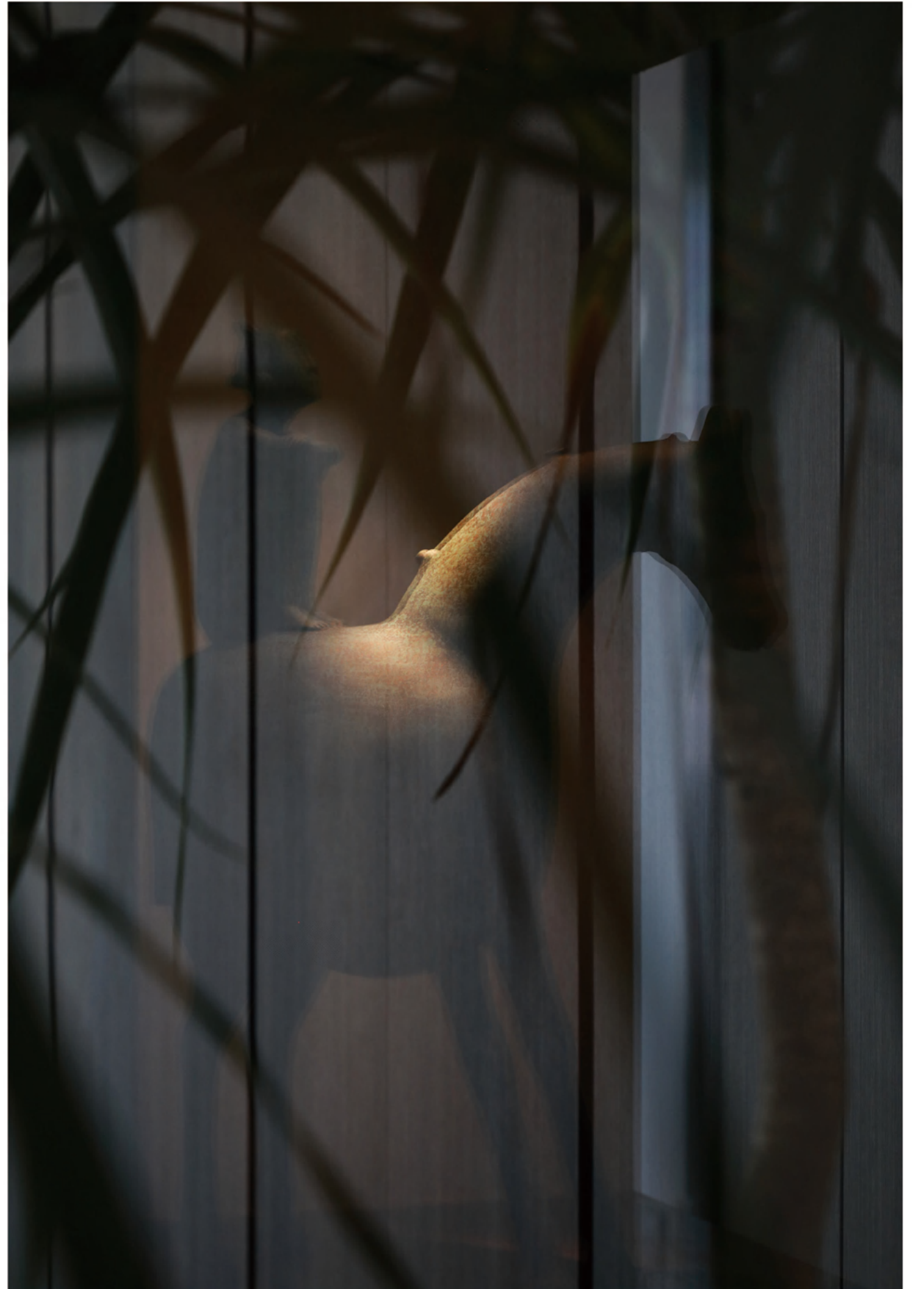
High power circular deep cylinder light outlet, adjustable angle design, can provide more luminous flux, and project light to further objects.

Applications

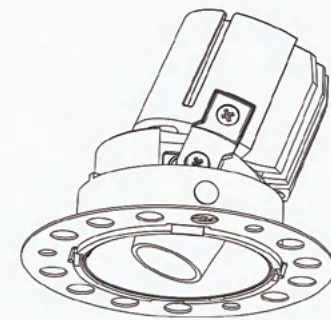
Star-rated Hotels, Villas, Residential buildings, etc.

Features

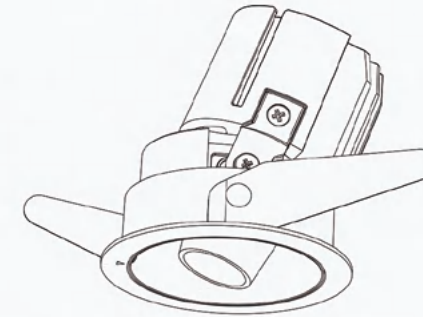








trimless



trim

Precise light control
+
Adjustable angle design



LUNA

Trimless W1606LED
Trim 1606LED



Quickinfo

GENERAL
Recessed
IP20~IP54

LED
CREE ⇄
5W, 7W
2700K, 3000K, 4000K, 5000K
50000h@L80
CRI≥90
SDCM: 5

OPTICAL
Direct illumination
Beam angle 15°/24°
Optical accessories

ELECTRICAL
NON-DIM
PHASE
1-10V
DALI
BLUETOOTH

PHYSICAL
Aluminum



Description

The exquisite physique and the adjustable angle design of the spotlight enable it to exert the anti glare effect to the extreme in various spaces.

Applications

Star-rated Hotels, Villas, Residential buildings, etc.

Features



Standard configuration

COLOUR TEMPERATURE
2700K
3000K

CONTROL
NON-DIM

OPTICAL
15°/24°

COLOUR(housing)
Gray+White

COLOUR(reflector)
Black, White

Extended configuration

COLOUR TEMPERATURE
4000K
5000K

CONTROL
DALI, PHASE, 1-10V

COLOUR(housing)
Black+White

Options on request

CONTROL
BLUETOOTH

Parameters

POWER	VF	CURRENT	CCT	LUMINOUS FLUX
5W	12V	350mA	2700K	225~236 lm
			3000K	234~257 lm
7W	12V	500mA	2700K	296~331 lm
			3000K	310~342 lm

Test standards:
CREE COB, CRI 90, tolerance range of electrical and optical parameters: ±10%.

Light Distribution

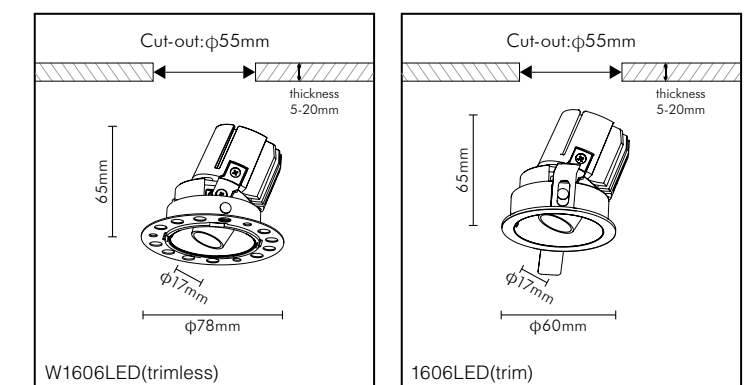
7W 15° 3000K Ra90			7W 24° 3000K Ra90		
H(m)	E(lx)	D(m)	H(m)	E(lx)	D(m)
1	3195	0.31	1	1833	0.38
2	799	0.61	2	458	0.76
3	355	0.92	3	204	1.14
4	200	1.22	4	115	1.52
5	128	1.53	5	73	1.90

Light effect and planning aid



Emphasis of objects or architectural elements.

Technical drawing





LUNA

Trimless W1867LED
Trim 1867LED



Quickinfo

GENERAL
Recessed
IP20~IP54

LED
CITIZEN
8W, 10W, 12W, 15W
2700K, 3000K, 4000K, 5000K
50000h@L80
CRI≥90
SDCM: 3

OPTICAL
Direct illumination
Beam angle 15°/24°/38°
Optical accessories

ELECTRICAL
NON-DIM
PHASE
1-10V
DALI
BLUETOOTH

PHYSICAL
Aluminum



Description

The precise light control technology and the design of adjustable angle of the spotlight makes every beam of light have the ultimate anti glare effect in the process of precise projection.

Applications

Star-rated Hotels, Villas, Residential buildings, etc.

Features



Standard configuration

COLOUR TEMPERATURE
2700K
3000K

CONTROL
NON-DIM

OPTICAL
15°/24°/38°

COLOUR(housing)
Gray+White

COLOUR(reflector)
Black, White

Extended configuration

COLOUR TEMPERATURE
4000K
5000K

CONTROL
DALI, PHASE, 1-10V

COLOUR(housing)
Black+White

Options on request

CONTROL
BLUETOOTH

Parameters

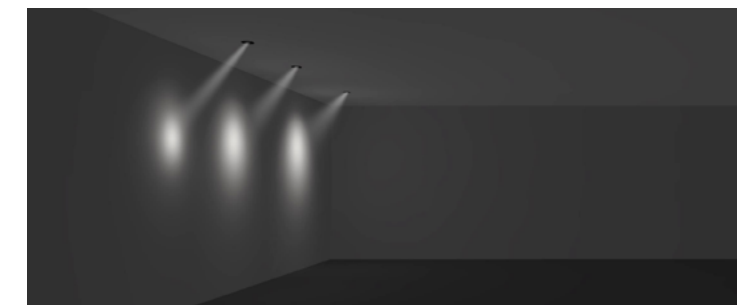
POWER	VF	CURRENT	CCT	LUMINOUS FLUX
8W	31V	250mA	2700K	403~621 lm
			3000K	404~593 lm
10W	31V	300mA	2700K	449~639 lm
			3000K	457~655 lm
12W	31V	350mA	2700K	511~763 lm
			3000K	537~774 lm
15W	31V	400mA	2700K	546~822 lm
			3000K	576~834 lm

Test standards:
Citizen COB, CRI 90, tolerance range of electrical and optical parameters: ±10%.

Light Distribution

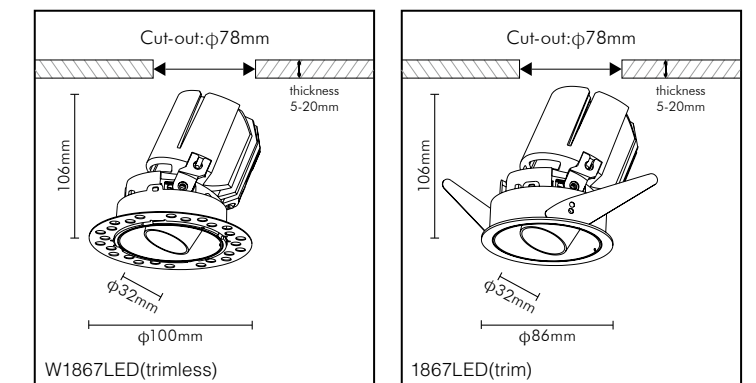
15W 15° 3000K Ra90			15W 24° 3000K Ra90			15W 38° 3000K Ra90		
H(m)	E(lx)	D(m)	H(m)	E(lx)	D(m)	H(m)	E(lx)	D(m)
3	716	0.78	3	563	1.20	3	264	1.93
4	403	1.04	4	316	1.60	4	149	2.57
5	258	1.30	5	203	2.00	5	95	3.21
6	179	1.56	6	141	2.40	6	66	3.85
7	132	1.82	7	103	2.80	7	49	4.50

Light effect and planning aid



Emphasis of objects or architectural elements.

Technical drawing





LUNA

Trimless W11165LED-S
Trim 11165LED-S



Quickinfo

GENERAL
Recessed
IP20~IP54

LED
CITIZEN
20W, 25W, 30W
2700K, 3000K, 4000K, 5000K
50000h@L80
CRI≥90
SDCM: 3

OPTICAL
Direct illumination
Beam angle 15°/20°/32°
Optical accessories

ELECTRICAL
NON-DIM
PHASE
1-10V
DALI
BLUETOOTH

PHYSICAL
Aluminum



Description

The high-efficiency spotlight technology and the design of the adjustable angle of the spotlight can provide more luminous flux for a higher and larger space, and at the same time, it can also bring the anti glare effect to the extreme.

Applications

Star-rated Hotels, Villas, Residential buildings, etc.

Features



Standard configuration

COLOUR TEMPERATURE
2700K
3000K

CONTROL
NON-DIM

OPTICAL
15°/20°/32°

COLOUR(housing)
Gray+White

COLOUR(reflector)
Black, White

Extended configuration

COLOUR TEMPERATURE
4000K
5000K

CONTROL
DALI, PHASE, 1-10V

COLOUR(housing)
Black+White

Options on request

CONTROL
BLUETOOTH

Parameters

POWER	VF	CURRENT	CCT	LUMINOUS FLUX
20W	36V	500mA	2700K	766~1120 lm
			3000K	891~1245 lm
25W	36V	600mA	2700K	847~1334 lm
			3000K	1039~1447 lm
30W	36V	700mA	2700K	1017~1519 lm
			3000K	1198~1717 lm

Test standards:
Citizen COB, CRI 90, tolerance range of electrical and optical parameters: ±10%.

Light Distribution

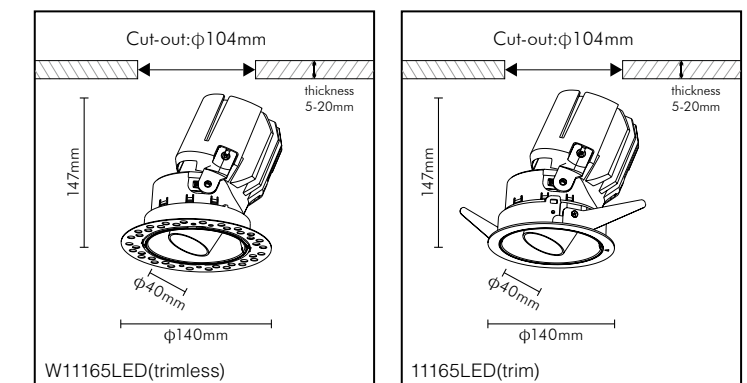
30W 15° 3000K Ra90			30W 20° 3000K Ra90			30W 32° 3000K Ra90		
H(m)	E(lx)	D(m)	H(m)	E(lx)	D(m)	H(m)	E(lx)	D(m)
3	1442	0.65	3	1284	1.09	3	635	1.69
4	811	0.87	4	722	1.45	4	357	2.26
5	519	1.09	5	462	1.81	5	229	2.82
6	360	1.30	6	321	2.17	6	159	3.39
7	265	1.52	7	236	2.54	7	117	3.95

Light effect and planning aid



Emphasis of objects or architectural elements.

Technical drawing



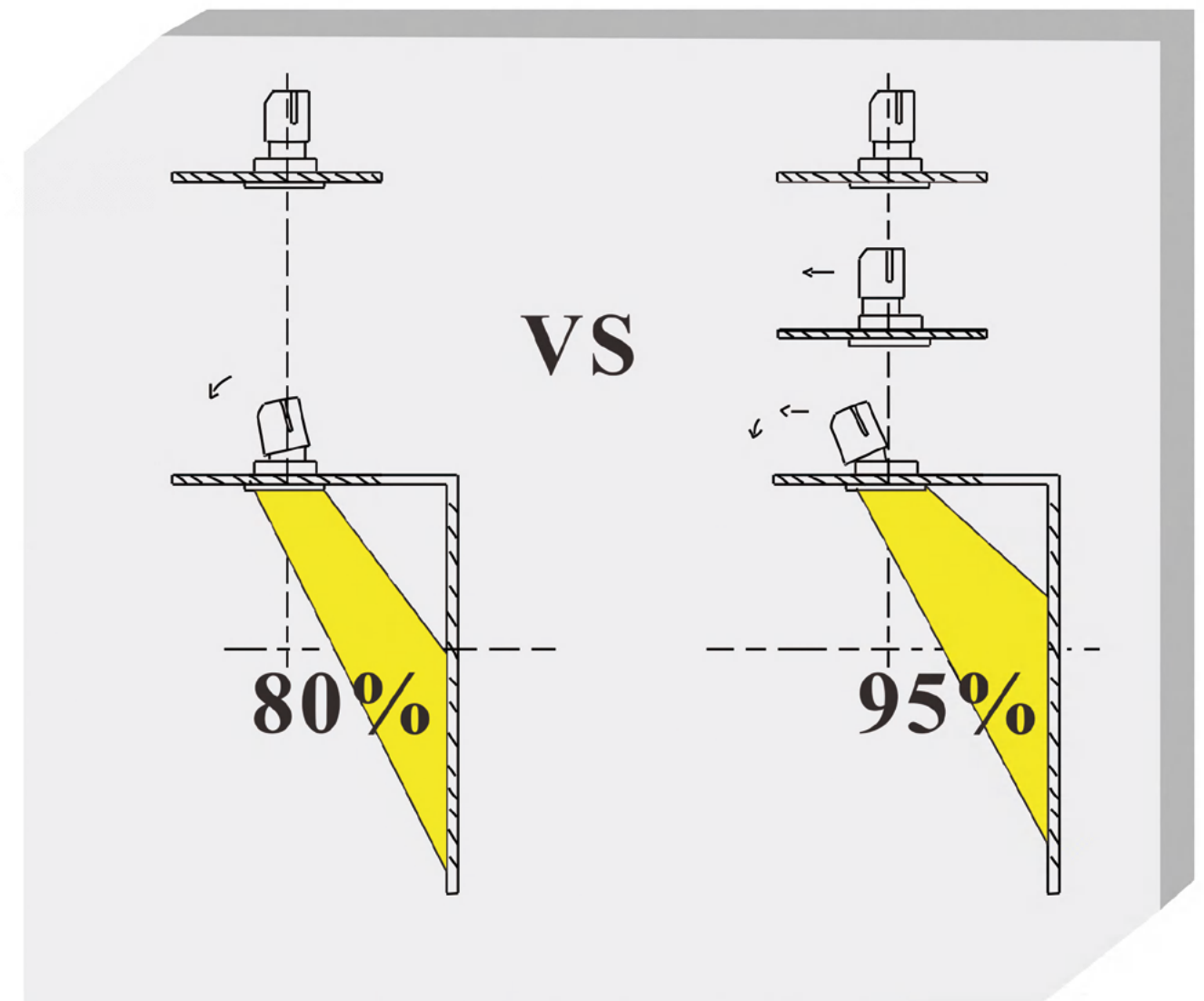
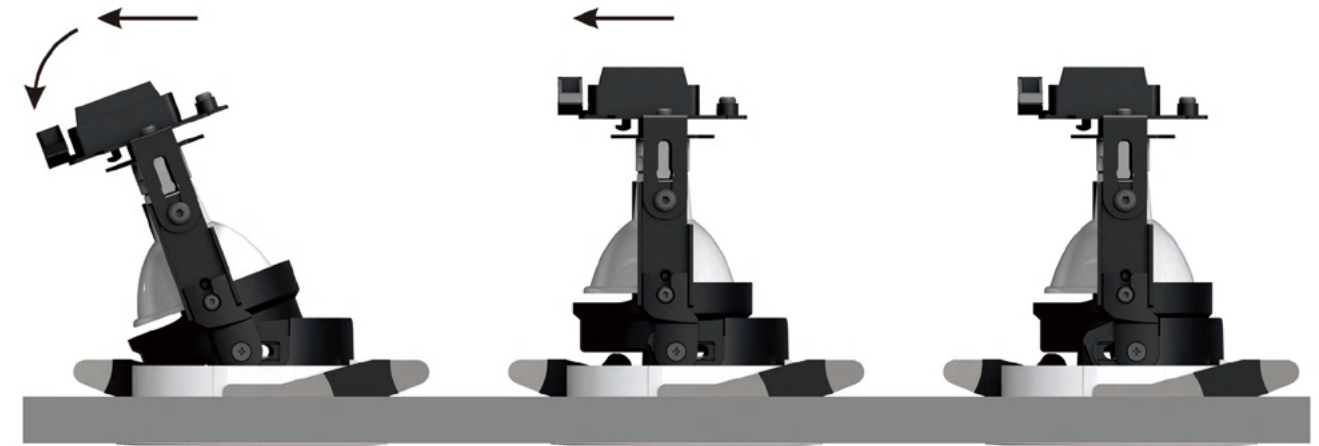




LUNA

MR16 & GU10

- Die casting aluminum material, fixed & adjustable design
- MR16 and GU10 bulb sources as option.
- 35° shielding angle makes light environment more comfortable.
- Adopt interchangeable installation mode, the replacement of bulb will not damage the ceiling, improve the installation efficiency.
- Height adjustable structure is suitable for bulbs of different heights.
- Accessories such as honeycomb louvre or glass can be added.



LUNA

1861 / 1861F



LUNA

1862 / 1862F



Quickinfo

GENERAL
Recessed
IP20

POWER
Max.50W

LAMP HOLDER
GU10
GU5.3

LAMP TYPE(VOLTAGE)
GU10LED(AC 220V)
MR16(AC 12V)

RoHS



Description

Available for standard GU10 and MR-16 light source, different reflectors and optical accessories are options, make your light source have a high-quality carrier.

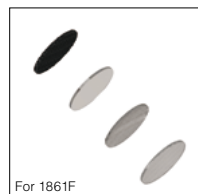
Applications

Star-rated Hotels, Villas, Residential buildings, etc.

Features

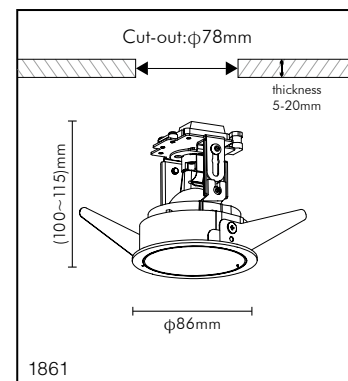


For 1861 / 1861F

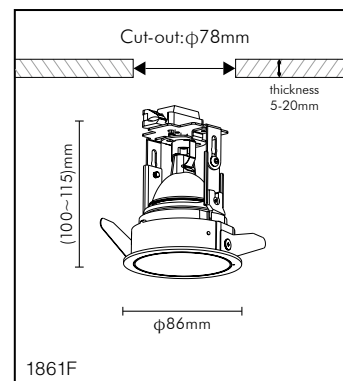


For 1861F

Technical drawing



1861



1861F

Quickinfo

GENERAL
Recessed
IP20

POWER
Max.50W

LAMP HOLDER
GU10
GU5.3

LAMP TYPE(VOLTAGE)
GU10LED(AC 220V)
MR16(AC 12V)

RoHS



Description

Excellent parallel rearward move and adjustable angle design, available for standard GU10 and MR-16 light source, different reflectors and optical accessories are options, make your light source quality play better.

Applications

Star-rated Hotels, Villas, Residential buildings, etc.

Features

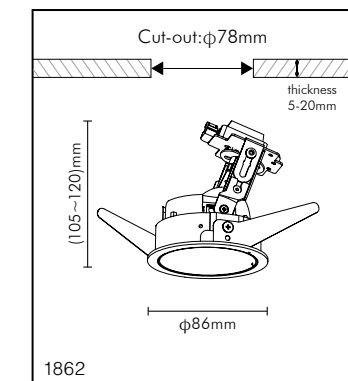


For 1862 / 1862F

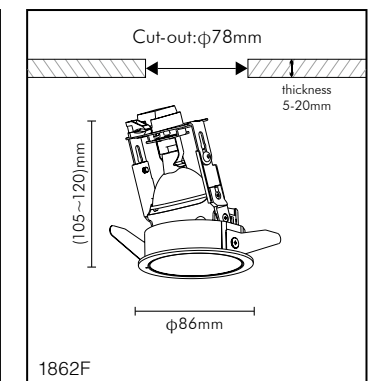


For 1862F

Technical drawing



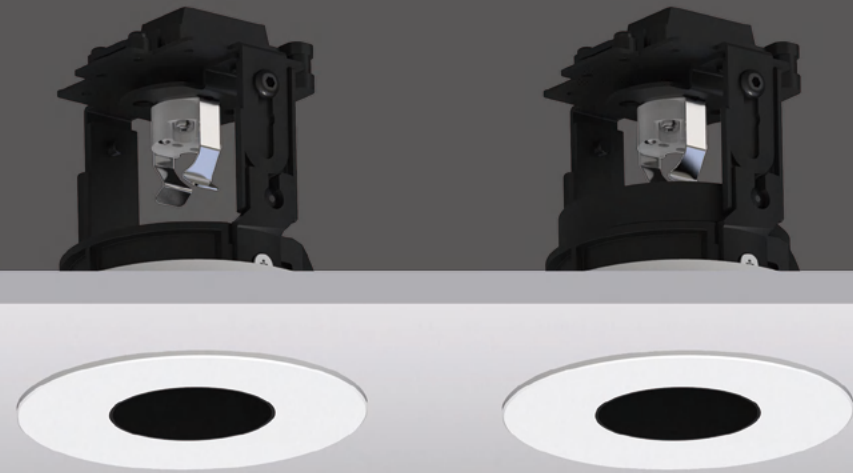
1862



1862F

LUNA

1863 / 1863F



LUNA

1864 / 1864F



Quickinfo

GENERAL
Recessed
IP20

POWER
Max.50W

LAMP HOLDER
GU10
GU5.3

LAMP TYPE(VOLTAGE)
GU10LED(AC 220V)
MR16(AC 12V)

RoHS



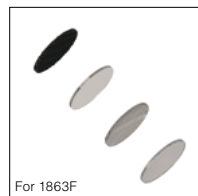
Description

The design of circular deep cylinder is applicable to standard GU10 and MR-16 light sources. Different reflectors and optical accessories are options. So that you can better control the glare of the light source.

Applications

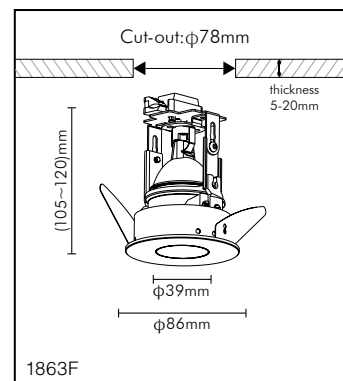
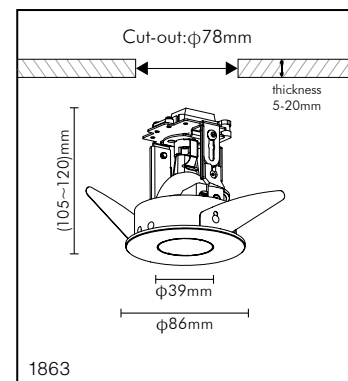
Star-rated Hotels, Villas, Residential buildings, etc.

Features



For 1863F

Technical drawing



Quickinfo

GENERAL
Recessed
IP20

POWER
Max.50W

LAMP HOLDER
GU10
GU5.3

LAMP TYPE(VOLTAGE)
GU10LED(AC 220V)
MR16(AC 12V)

RoHS



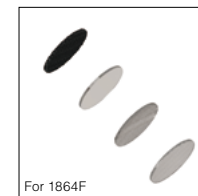
Description

Circular deep cylinder design, available for standard GU10 and MR-16 light sources. different reflectors and optical accessories are options, it can better control the glare of the light source.

Applications

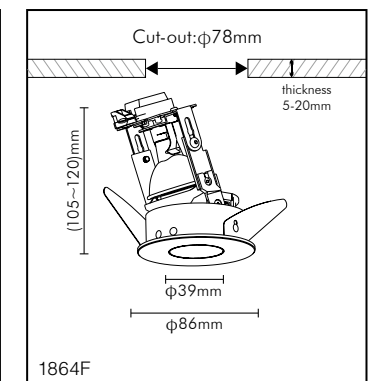
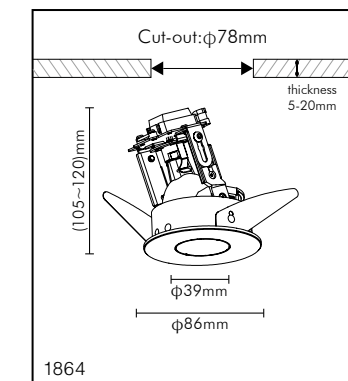
Star-rated Hotels, Villas, Residential buildings, etc.

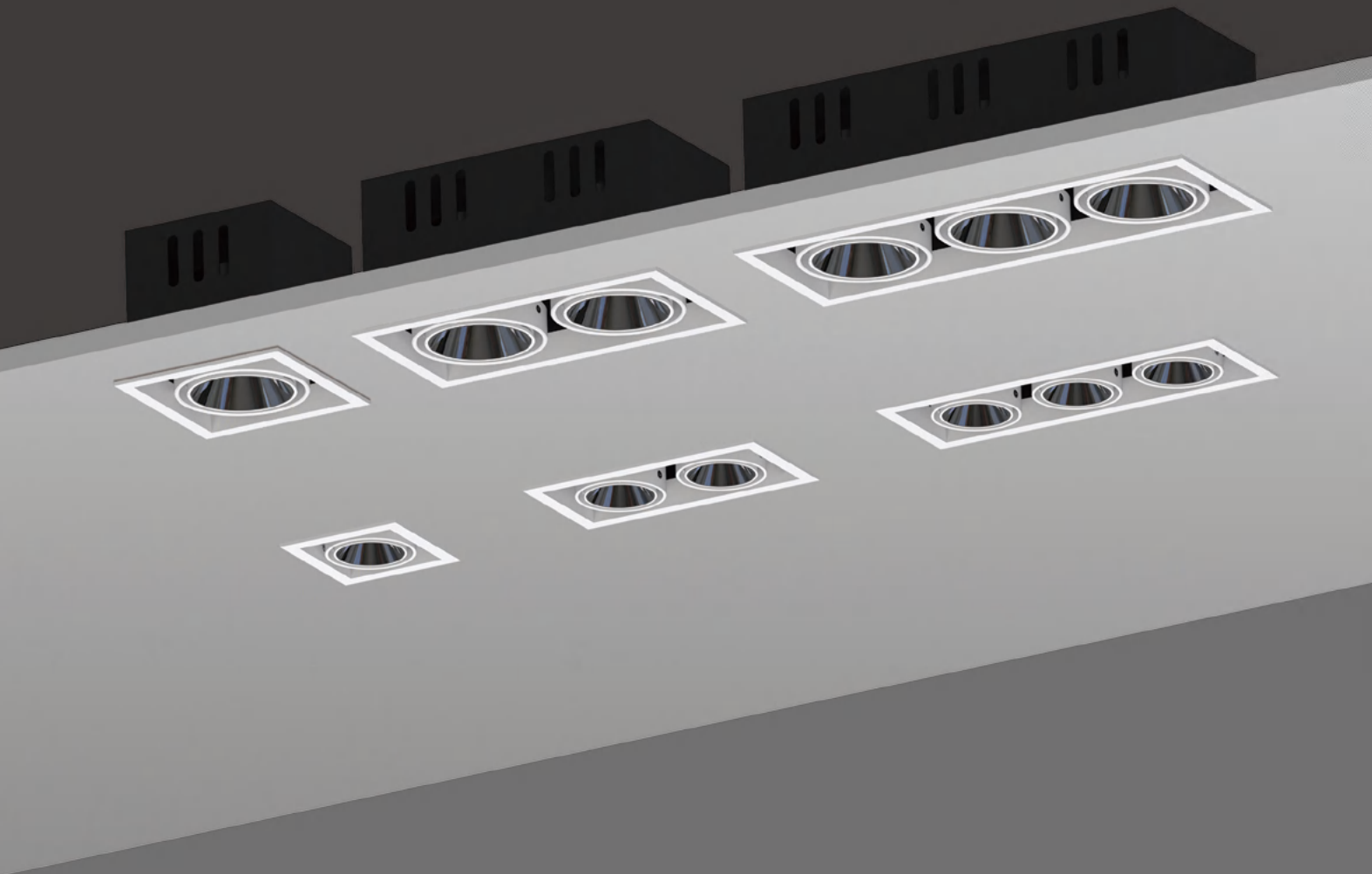
Features



For 1864F

Technical drawing

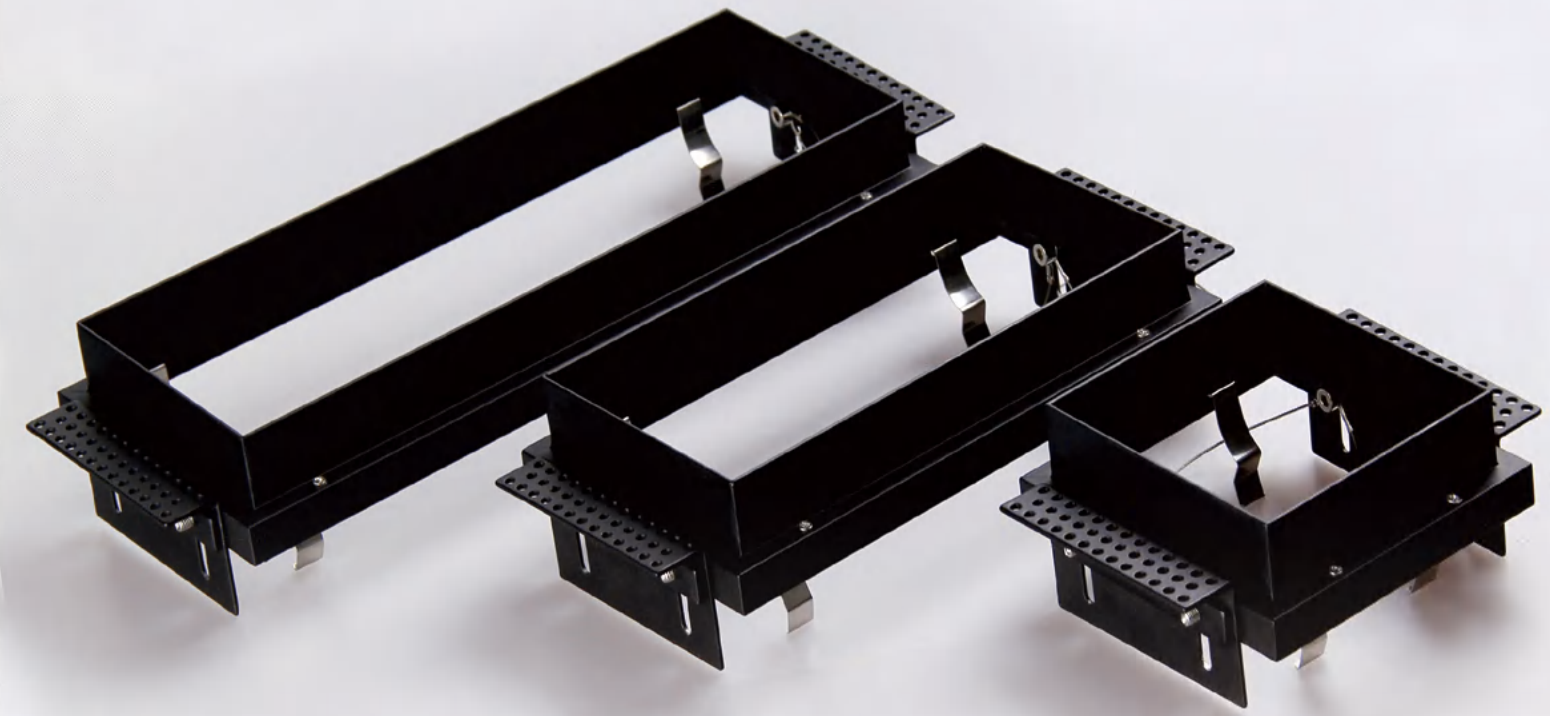


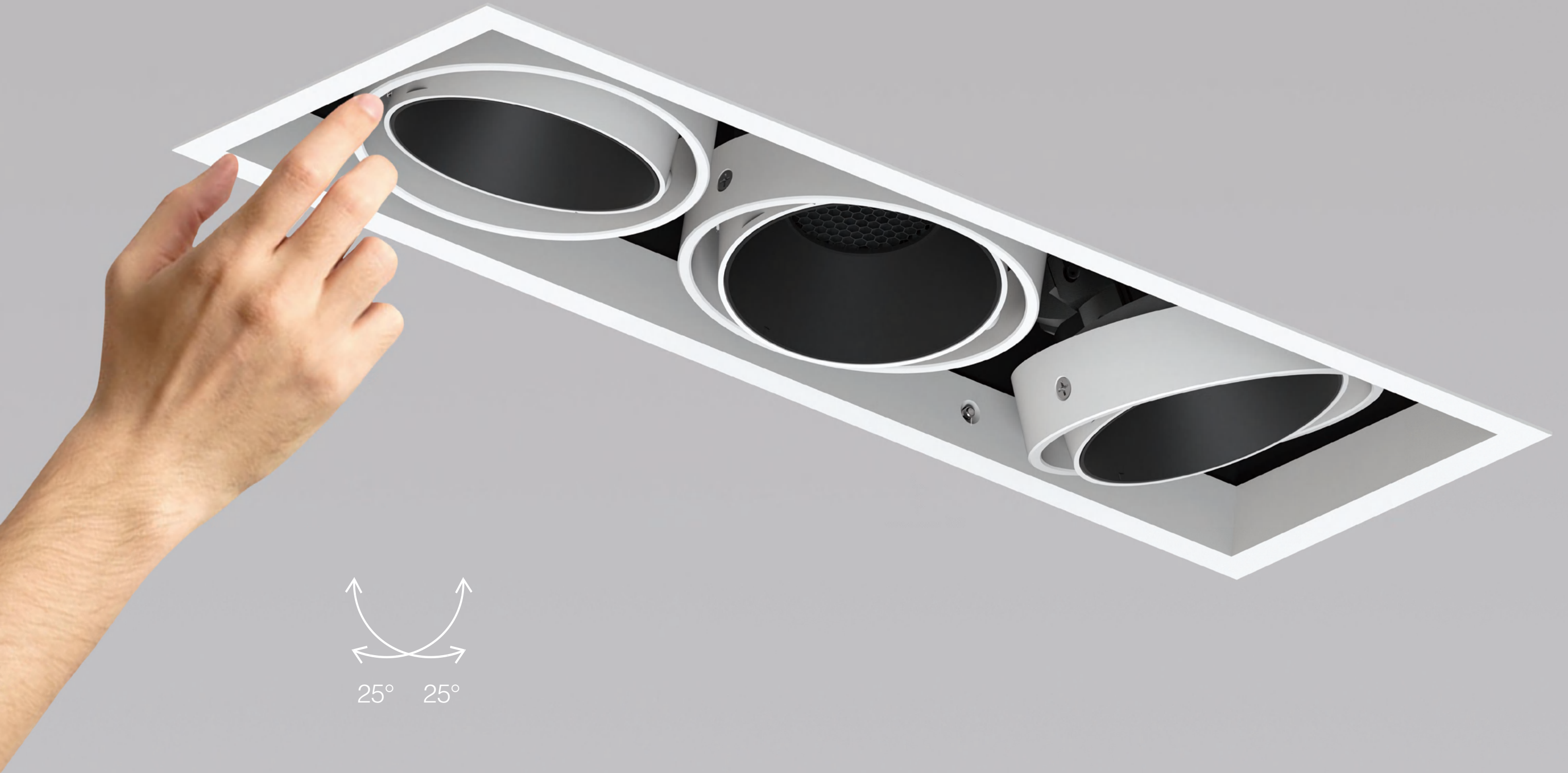


LUNA

Grid

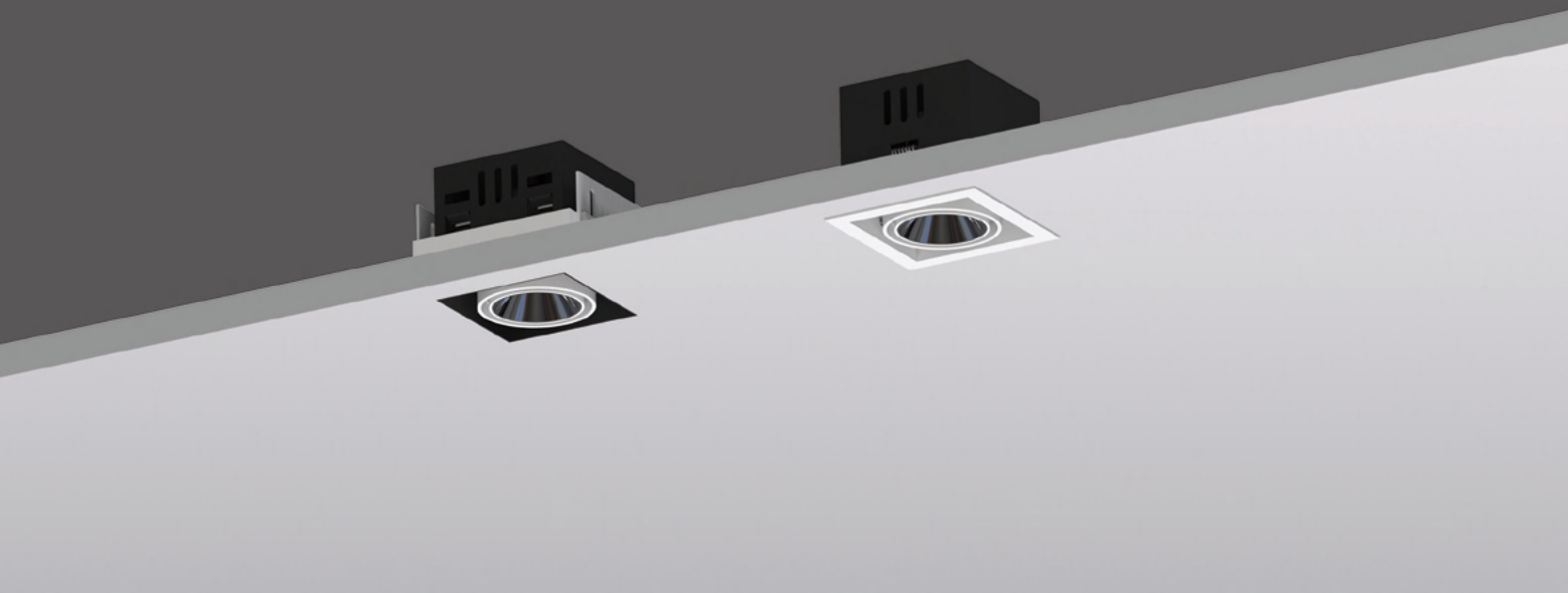
- Independent radiator integrating conduction, convection and radiation.
- Lens and reflector design, using precise light control technology to achieve accurate angle.
- Adopt COB chip technology with the maximum efficiency and deep anti-glare design.
- Specialized optical design makes the light pure, even and soft.
- It can be equipped with different accessories, such as honeycomb louvre, glass and reflector in different colors.
- The adjustable axis design enables the lamp body to adjust 25 ° in the horizontal and vertical directions.





LUNA

Trimless W2921LED
Trim 2921LED



Quickinfo

GENERAL
Recessed
IP20~IP54

LED
CITIZEN
5W, 7W
2700K, 3000K, 4000K, 5000K
50000h@L80
CRI≥90
SDCM: 3

OPTICAL
Direct illumination
Beam angle 15°/20°/25°/30°
Optical accessories

ELECTRICAL
NON-DIM
PHASE
1-10V
DALI
BLUETOOTH

PHYSICAL
Aluminum



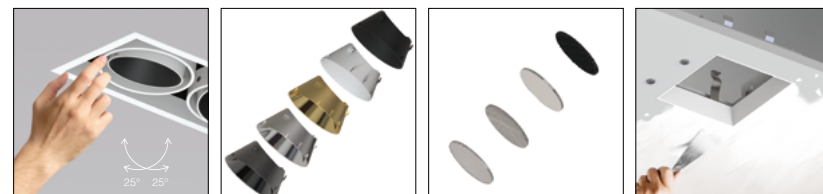
Description

Single head adjustable angle design can help more accurately project light onto the object, highlighting a single area or object.

Applications

Star-rated Hotels, Villas, Residential buildings, etc.

Features



Standard configuration

COLOUR TEMPERATURE
2700K
3000K

CONTROL
NON-DIM

OPTICAL
15°/20°/25°/30°

COLOUR(housing)
Black+White

COLOUR(reflector)
Dark chrome, Specular, Gold, White, Black

Extended configuration

COLOUR TEMPERATURE
4000K
5000K

CONTROL
DALI, PHASE, 1-10V

COLOUR(housing)
Black

IP
54(CREE; 15°/24°)

Options on request

CONTROL
BLUETOOTH

Parameters

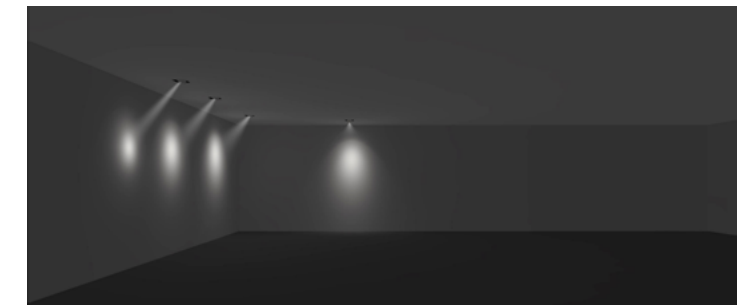
POWER	VF	CURRENT	CCT	LUMINOUS FLUX
5W	36V	120mA	2700K	282~360 lm
			3000K	321~390 lm
7W	36V	150mA	2700K	338~432 lm
			3000K	383~468 lm

Test standards:
Citizen COB, CRI 90, tolerance range of electrical and optical parameters: ±10%.

Light Distribution

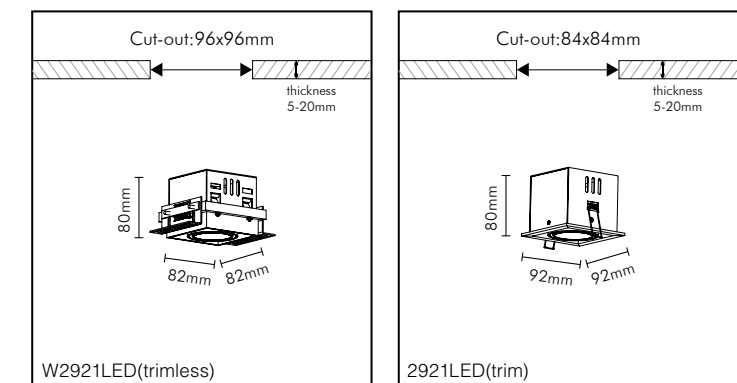
7W 15° 3000K Ra90			7W 20° 3000K Ra90			7W 25° 3000K Ra90			7W 30° 3000K Ra90		
H(m)	E(lx)	D(m)	H(m)	E(lx)	D(m)	H(m)	E(lx)	D(m)	H(m)	E(lx)	D(m)
1	3499	0.23	1	2679	0.35	1	1951	0.44	1	1469	0.57
2	875	0.45	2	670	0.69	2	488	0.87	2	367	1.14
3	389	0.68	3	298	1.04	3	217	1.31	3	163	1.70
4	219	0.90	4	168	1.39	4	122	1.74	4	92	2.27
5	140	1.13	5	107	1.73	5	78	2.18	5	59	2.84

Light effect and planning aid



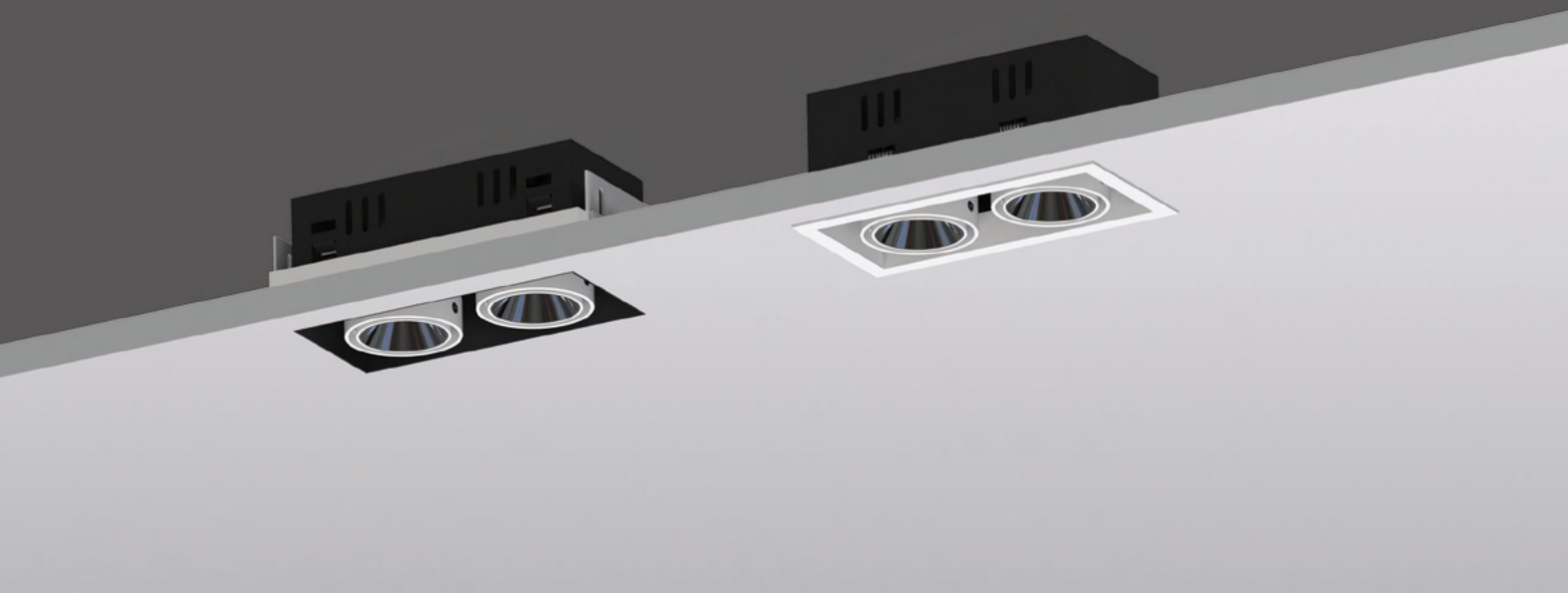
Emphasis of objects or architectural elements.

Technical drawing



LUNA

Trimless W2922LED
Trim 2922LED



Quickinfo

GENERAL
Recessed
IP20~IP54

LED
CITIZEN
2x5W, 2x7W
2700K, 3000K, 4000K, 5000K
50000h@L80
CRI≥90
SDCM: 3

OPTICAL
Direct illumination
Beam angle 15°/20°/25°/30°
Optical accessories

ELECTRICAL
NON-DIM
PHASE
1-10V
DALI
BLUETOOTH

PHYSICAL
Aluminum



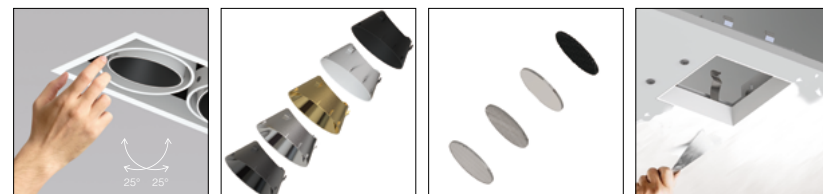
Description

Double heads adjustable angle design can help more accurately project light to different objects, highlighting a single area or object.

Applications

Star-rated Hotels, Villas, Residential buildings, etc.

Features



Standard configuration

COLOUR TEMPERATURE
2700K
3000K

CONTROL
NON-DIM

OPTICAL
15°/20°/25°/30°

COLOUR(housing)
Black+White

COLOUR(reflector)
Dark chrome, Specular, Gold, White, Black

Extended configuration

COLOUR TEMPERATURE
4000K
5000K

CONTROL
DALI, PHASE, 1-10V

COLOUR(housing)
Black

IP
54(CREE; 15°/24°)

Options on request

CONTROL
BLUETOOTH

Parameters

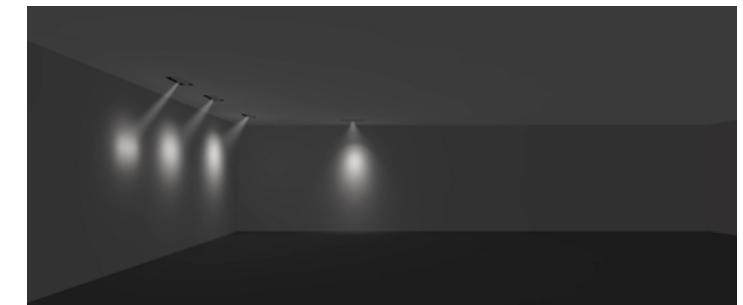
POWER	VF	CURRENT	CCT	LUMINOUS FLUX
2x5W	36V	120mA	2700K	564~720 lm
			3000K	642~780 lm
2x7W	36V	150mA	2700K	676~864 lm
			3000K	766~936 lm

Test standards:
Citizen COB, CRI 90, tolerance range of electrical and optical parameters: ±10%.

Light Distribution

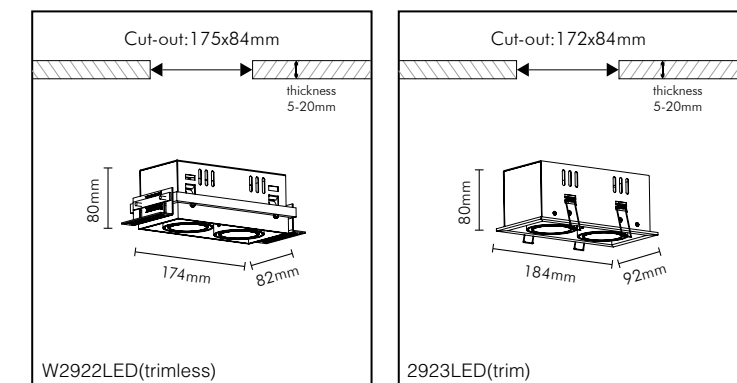
7W 15° 3000K Ra90			7W 20° 3000K Ra90			7W 25° 3000K Ra90			7W 30° 3000K Ra90		
H(m)	E(lx)	D(m)	H(m)	E(lx)	D(m)	H(m)	E(lx)	D(m)	H(m)	E(lx)	D(m)
1	3499	0.23	1	2679	0.35	1	1951	0.44	1	1469	0.57
2	875	0.45	2	670	0.69	2	488	0.87	2	367	1.14
3	389	0.68	3	298	1.04	3	217	1.31	3	163	1.70
4	219	0.90	4	168	1.39	4	122	1.74	4	92	2.27
5	140	1.13	5	107	1.73	5	78	2.18	5	59	2.84

Light effect and planning aid



Emphasis of objects or architectural elements.

Technical drawing



LUNA

Trimless W2923LED
Trim 2923LED



Quickinfo

GENERAL
Recessed
IP20~IP54

LED
CITIZEN
3x5W, 3x7W
2700K, 3000K, 4000K, 5000K
50000h@L80
CRI≥90
SDCM: 3

OPTICAL
Direct illumination
Beam angle 15°/20°/25°/30°
Optical accessories

ELECTRICAL
NON-DIM
PHASE
1-10V
DALI
BLUETOOTH

PHYSICAL
Aluminum



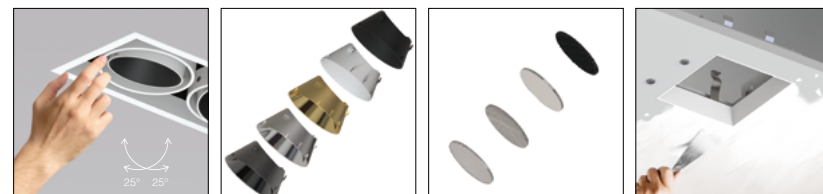
Description

Triple heads adjustable angle design can help to project light to more objects and highlight single area or object respectively.

Applications

Star-rated Hotels, Villas, Residential buildings, etc.

Features



Standard configuration

COLOUR TEMPERATURE
2700K
3000K

CONTROL
NON-DIM

OPTICAL
15°/20°/25°/30°

COLOUR(housing)
Black+White

COLOUR(reflector)
Dark chrome, Specular, Gold, White, Black

Extended configuration

COLOUR TEMPERATURE
4000K
5000K

CONTROL
DALI, PHASE, 1-10V

COLOUR(housing)
Black

IP
54(CREE; 15°/24°)

Options on request

CONTROL
BLUETOOTH

Parameters

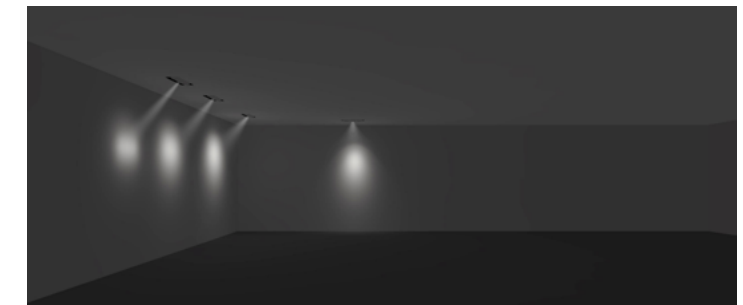
POWER	VF	CURRENT	CCT	LUMINOUS FLUX
3x5W	36V	120mA	2700K	846~1080 lm
			3000K	963~1170 lm
3x7W	36V	150mA	2700K	1014~1296 lm
			3000K	1149~1404 lm

Test standards:
Citizen COB, CRI 90, tolerance range of electrical and optical parameters: ±10%.

Light Distribution

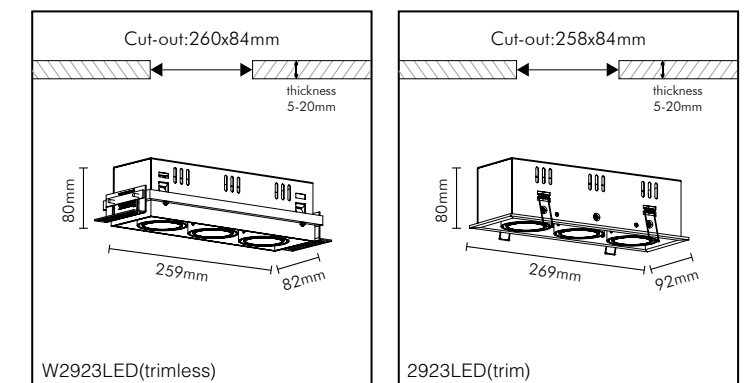
7W 15° 3000K Ra90			7W 20° 3000K Ra90			7W 25° 3000K Ra90			7W 30° 3000K Ra90		
H(m)	E(lx)	D(m)	H(m)	E(lx)	D(m)	H(m)	E(lx)	D(m)	H(m)	E(lx)	D(m)
1	3499	0.23	1	2679	0.35	1	1951	0.44	1	1469	0.57
2	875	0.45	2	670	0.69	2	488	0.87	2	367	1.14
3	389	0.68	3	298	1.04	3	217	1.31	3	163	1.70
4	219	0.90	4	168	1.39	4	122	1.74	4	92	2.27
5	140	1.13	5	107	1.73	5	78	2.18	5	59	2.84

Light effect and planning aid



Emphasis of objects or architectural elements.

Technical drawing

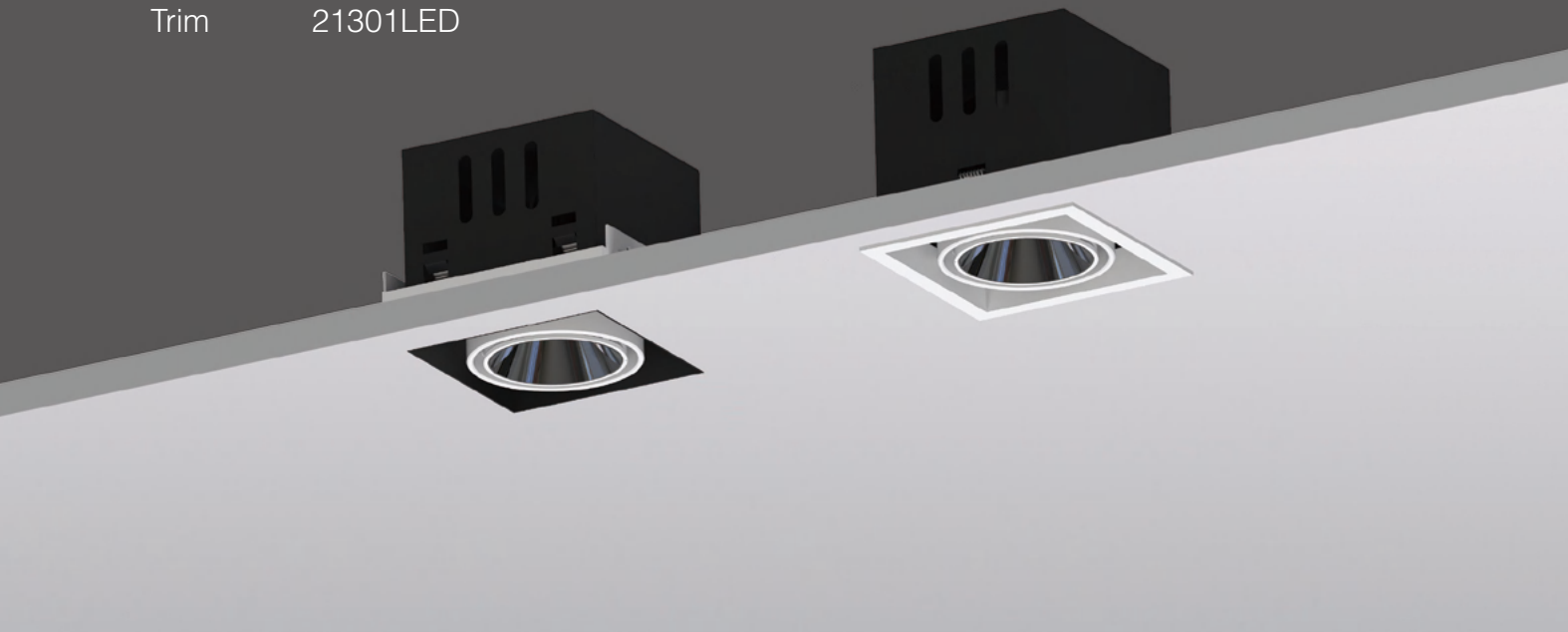






LUNA

Trimless W21301LED
Trim 21301LED



Quickinfo

GENERAL

Recessed
IP20~IP54

LED

CITIZEN
8W, 10W, 12W, 15W
2700K, 3000K, 4000K, 5000K
50000h@L80
CRI≥90
SDCM: 3

OPTICAL

Direct illumination
Beam angle 15°/24°/38°
Optical accessories

ELECTRICAL

NON-DIM
PHASE
1-10V
DALI
BLUETOOTH

PHYSICAL

Aluminum



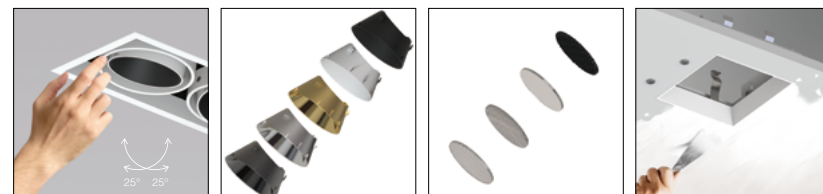
Description

Single head adjustable angle design can help more accurately project light onto the object, highlighting a single area or object.

Applications

Star-rated Hotels, Villas, Residential buildings, etc.

Features



Standard configuration

COLOUR TEMPERATURE

2700K
3000K

CONTROL

NON-DIM

OPTICAL

15°/24°/38°

COLOUR(housing)

Black+White

COLOUR(reflector)

Dark chrome, Specular, Gold, White, Black

Extended configuration

COLOUR TEMPERATURE

4000K
5000K

CONTROL

DALI, PHASE, 1-10V

COLOUR(housing)

Black

Options on request

CONTROL

BLUETOOTH

Parameters

POWER	VF	CURRENT	CCT	LUMINOUS FLUX
8W	31V	250mA	2700K	621~671 lm
			3000K	642~693 lm
10W	31V	300mA	2700K	696~789 lm
			3000K	753~799 lm
12W	31V	350mA	2700K	821~932 lm
			3000K	837~888 lm
15W	31V	400mA	2700K	889~1020 lm
			3000K	939~1033 lm

Test standards:

Citizen COB, CRI 90, tolerance range of electrical and optical parameters: ±10%.

Light Distribution

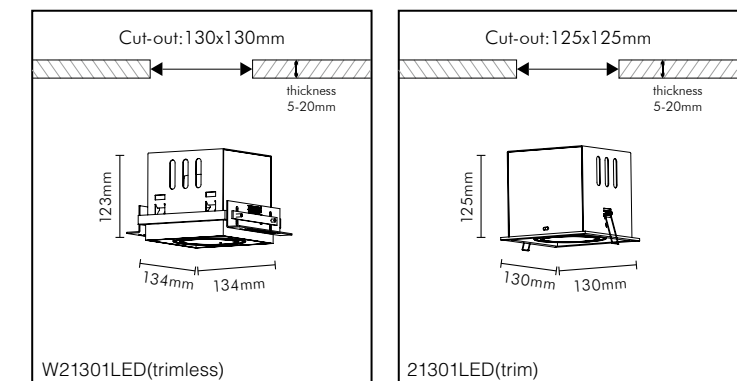
15W 15° 3000K Ra90			15W 24° 3000K Ra90			15W 38° 3000K Ra90			15W 15°x40° 3000K Ra90		
H(m)	E(lx)	D(m)	H(m)	E(lx)	D(m)	H(m)	E(lx)	D(m)	H(m)	E(lx)	D(m)
3	1091	0.77	3	593	1.27	3	252	2.07	3	424	0.78
4	614	1.02	4	393	1.70	4	142	2.75	4	238	1.04
5	393	1.28	5	213	2.12	5	91	3.44	5	153	1.31
6	273	1.53	6	148	2.55	6	63	4.13	6	106	1.57
7	201	1.79	7	109	2.97	7	46	4.82	7	78	1.83

Light effect and planning aid



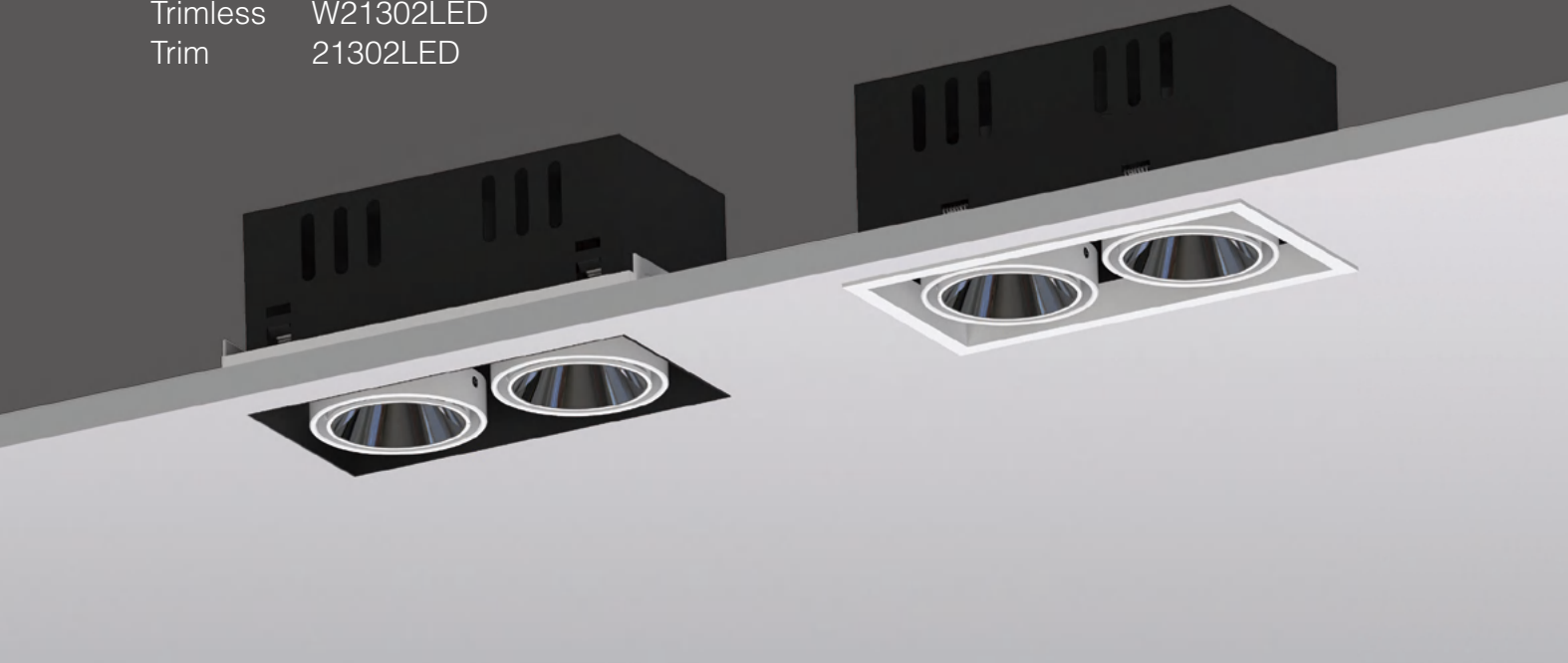
Emphasis of objects or architectural elements.

Technical drawing



LUNA

Trimless W21302LED
Trim 21302LED



Quickinfo

GENERAL
Recessed
IP20~IP54

LED
CITIZEN
2x8W, 2x10W, 2x12W, 2x15W
2700K, 3000K, 4000K, 5000K
50000h@L80
CRI≥90
SDCM: 3

OPTICAL
Direct illumination
Beam angle 15°/24°/38°
Optical accessories

ELECTRICAL
NON-DIM
PHASE
1-10V
DALI
BLUETOOTH

PHYSICAL
Aluminum



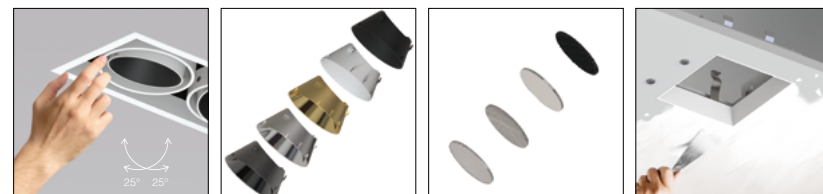
Description

Double heads adjustable angle design can help more accurately project light to different objects, highlighting a single area or object.

Applications

Star-rated Hotels, Villas, Residential buildings, etc.

Features



Standard configuration

COLOUR TEMPERATURE
2700K
3000K

CONTROL
NON-DIM

OPTICAL
15°/24°/38°

COLOUR(housing)
Black+White

COLOUR(reflector)
Dark chrome, Specular, Gold, White, Black

Extended configuration

COLOUR TEMPERATURE
4000K
5000K

CONTROL
DALI, PHASE, 1-10V

COLOUR(housing)
Black

Options on request

CONTROL
BLUETOOTH

Parameters

POWER	VF	CURRENT	CCT	LUMINOUS FLUX
2x8W	31V	250mA	2700K	1242~1342 lm
			3000K	1284~1386 lm
2x10W	31V	300mA	2700K	1392~1578 lm
			3000K	1506~1598 lm
2x12W	31V	350mA	2700K	1642~1864 lm
			3000K	1674~1776 lm
2x15W	31V	400mA	2700K	1778~2040 lm
			3000K	1878~2066 lm

Test standards:
Citizen COB, CRI 90, tolerance range of electrical and optical parameters: ±10%.

Light Distribution

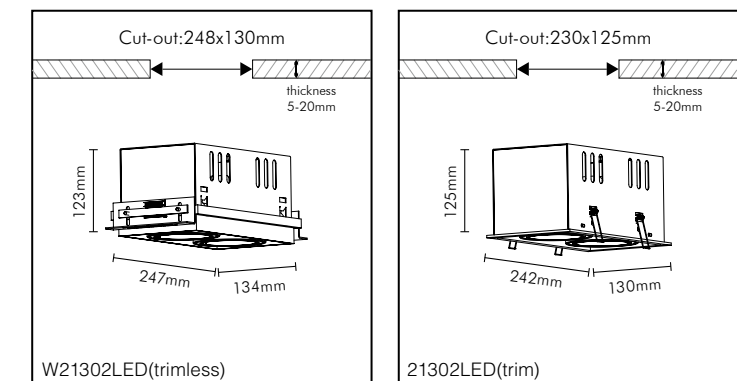
15W 15° 3000K Ra90			15W 24° 3000K Ra90			15W 38° 3000K Ra90			15W 15°x40° 3000K Ra90		
H(m)	E(lx)	D(m)	H(m)	E(lx)	D(m)	H(m)	E(lx)	D(m)	H(m)	E(lx)	D(m)
3	1091	0.77	3	593	1.27	3	252	2.07	3	424	0.78
4	614	1.02	4	393	1.70	4	142	2.75	4	238	1.04
5	393	1.28	5	213	2.12	5	91	3.44	5	153	1.31
6	273	1.53	6	148	2.55	6	63	4.13	6	106	1.57
7	201	1.79	7	109	2.97	7	46	4.82	7	78	1.83

Light effect and planning aid



Emphasis of objects or architectural elements.

Technical drawing



LUNA

Trimless W21303LED
Trim 21303LED



Quickinfo

GENERAL
Recessed
IP20~IP54

LED
CITIZEN
3x8W, 3x10W, 3x12W, 3x15W
2700K, 3000K, 4000K, 5000K
50000h@L80
CRI≥90
SDCM: 3

OPTICAL
Direct illumination
Beam angle 15°/24°/38°
Optical accessories

ELECTRICAL
NON-DIM
PHASE
1-10V
DALI
BLUETOOTH

PHYSICAL
Aluminum



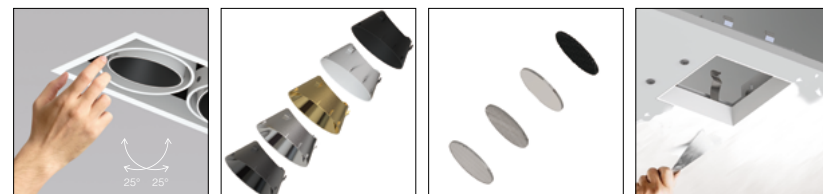
Description

Triple heads adjustable angle design can help to project light to more objects and highlight single area or object respectively.

Applications

Star-rated Hotels, Villas, Residential buildings, etc.

Features



Standard configuration

COLOUR TEMPERATURE
2700K
3000K

CONTROL
NON-DIM

OPTICAL
15°/24°/38°

COLOUR(housing)
Black+White

COLOUR(reflector)
Dark chrome, Specular, Gold, White, Black

Extended configuration

COLOUR TEMPERATURE
4000K
5000K

CONTROL
DALI, PHASE, 1-10V

COLOUR(housing)
Black

Options on request

CONTROL
BLUETOOTH

Parameters

POWER	VF	CURRENT	CCT	LUMINOUS FLUX
3x8W	31V	250mA	2700K	1863~2013 lm
			3000K	1926~2079 lm
3x10W	31V	300mA	2700K	2088~2367 lm
			3000K	2259~2397 lm
3x12W	31V	350mA	2700K	2463~2796 lm
			3000K	2511~2664 lm
3x15W	31V	400mA	2700K	2667~3060 lm
			3000K	2817~3099 lm

Test standards:
Citizen COB, CRI 90, tolerance range of electrical and optical parameters: ±10%.

Light Distribution

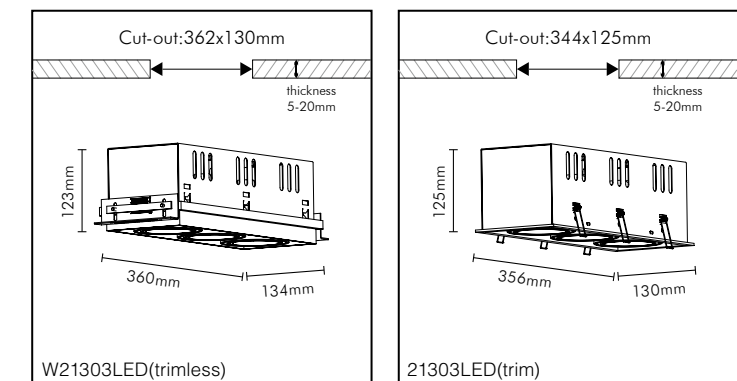
15W 15° 3000K Ra90			15W 24° 3000K Ra90			15W 38° 3000K Ra90			15W 15°x40° 3000K Ra90		
H(m)	E(lx)	D(m)	H(m)	E(lx)	D(m)	H(m)	E(lx)	D(m)	H(m)	E(lx)	D(m)
3	1091	0.77	3	593	1.27	3	252	2.07	3	424	0.78
4	614	1.02	4	393	1.70	4	142	2.75	4	238	1.04
5	393	1.28	5	213	2.12	5	91	3.44	5	153	1.31
6	273	1.53	6	148	2.55	6	63	4.13	6	106	1.57
7	201	1.79	7	109	2.97	7	46	4.82	7	78	1.83

Light effect and planning aid



Emphasis of objects or architectural elements.

Technical drawing







CENTAURO

Wall
Washer
φ93mm
φ117mm



1931LED... <small>Optical Tilt 5°</small>	254
1932LED... <small>Optical Tilt 20°/30°</small>	258
1934LED... <small>Optical Tilt 5°</small>	262
1935LED... <small>Optical Tilt 20°/30°</small>	266
11171LED... <small>Optical Tilt 5°</small>	272
11172LED... <small>Optical Tilt 20°/30°/40°</small>	276

Round
φ101mm



W11011LED-2... <small>Trimless</small>	284
11011LED-2... <small>Trim</small>	284
W11012LED-2... <small>Trimless</small>	290
11012LED-2... <small>Trim</small>	290

Round
φ136mm



W11361LED-2... <small>Trimless</small>	300
11361LED-2... <small>Trim</small>	300
W11362LED-2... <small>Trimless</small>	302
11362LED-2... <small>Trim</small>	302

Square
101x101mm



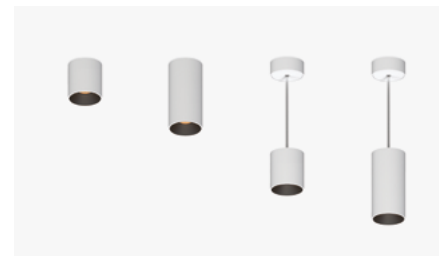
W11014LED-2... <small>Trimless</small>	310
11014LED-2... <small>Trim</small>	310
W11015LED-2... <small>Trimless</small>	312
11015LED-2... <small>Trim</small>	312

Square
136x136mm



W11364LED-2... <small>Trimless</small>	320
11364LED-2... <small>Trim</small>	320
W11365LED-2... <small>Trimless</small>	322
11365LED-2... <small>Trim</small>	322

Round
φ90mm



8901LED... <small>Surface mounted / H:185mm</small>	332
5901LED... <small>Pendant / H:185mm</small>	332
8906LED... <small>Surface mounted / H:115mm</small>	334
5906LED... <small>Pendant / H:115mm</small>	334

Round
φ124mm



81241LED... <small>Surface mounted / H:220mm</small>	338
51241LED... <small>Pendant / H:220mm</small>	338
81243LED... <small>Surface mounted / H:130mm</small>	340
51243LED... <small>Pendant / H:130mm</small>	340

Square
90x90mm



8902LED... <small>Surface mounted / H:185mm</small>	348
5902LED... <small>Pendant / H:185mm</small>	348
8905LED... <small>Surface mounted / H:115mm</small>	350
5905LED... <small>Pendant / H:115mm</small>	350

Square
124x124mm



81242LED... <small>Surface mounted / H:220mm</small>	354
51242LED... <small>Pendant / H:220mm</small>	354
81244LED... <small>Surface mounted / H:130mm</small>	356
51244LED... <small>Pendant / H:130mm</small>	356

IP65
Surface
mounted



89010LED... <small>Round / φ90mm</small>	362
81245LED... <small>Round / φ124mm</small>	364
8909LED... <small>Square / φ90mm</small>	366
81246LED... <small>Square / φ124mm</small>	368

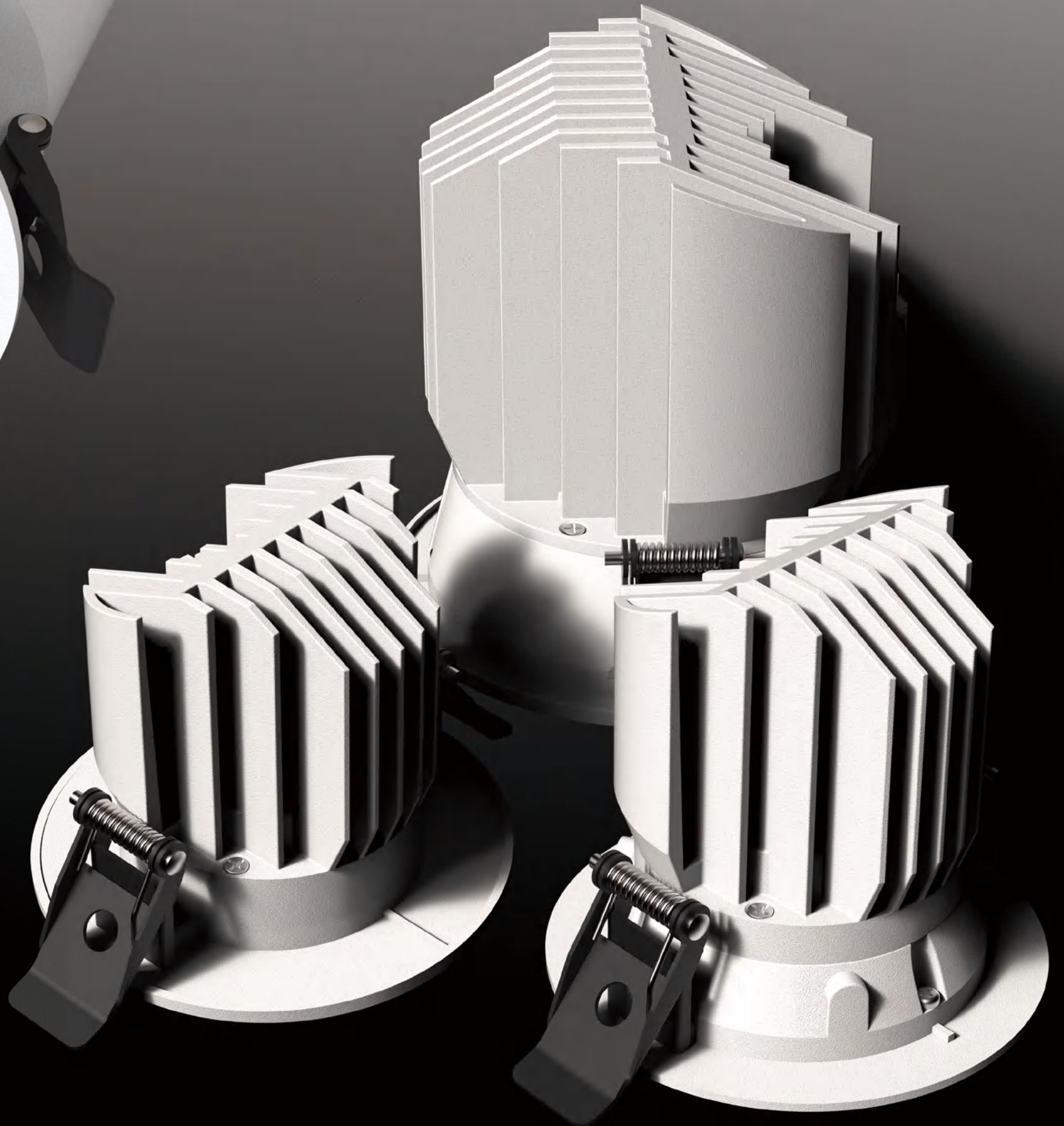




· Alpha(East) Tunnel ·

*I hold the imitation of colour to be the
greatest difficulty of art*

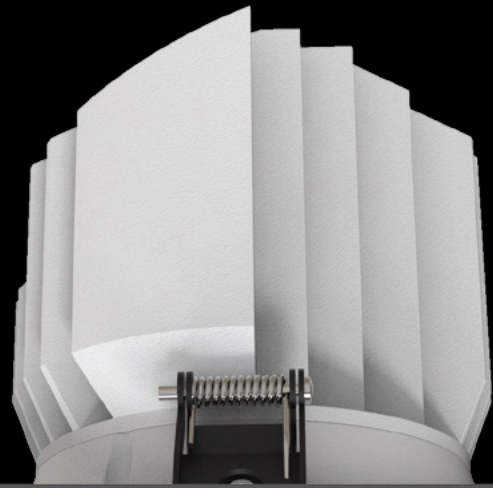
El Greco, Painter



CENTAURO

Wall Washer

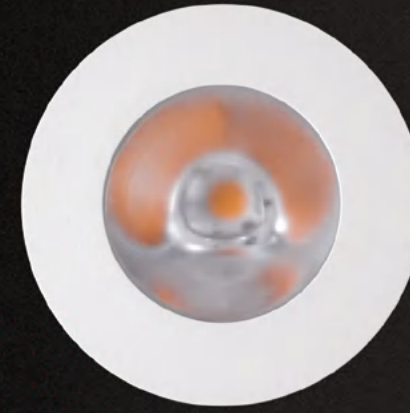
- Unique one-piece die-casting aluminum heat sink.
- Professional wall washing lens, realizing parallel wall washing.
- Both vertical and horizontal wall washing can be realized.
- Angle free design, easy installation and maintenance.
- Professional tunable white LED chip, better realization of dimming and color mixing function.



1931LED
83mm



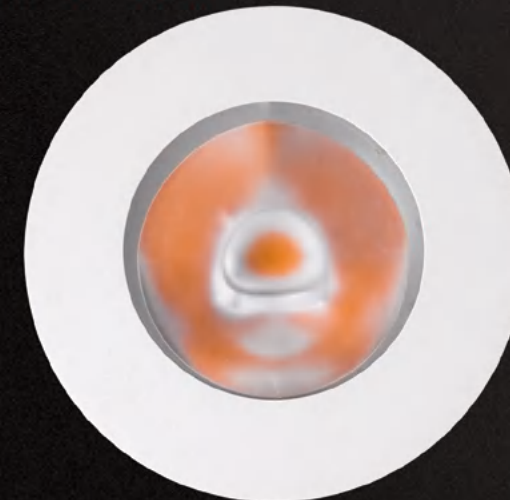
1932LED
83mm



1934LED
83mm



1935LED
83mm



11171LED
108mm

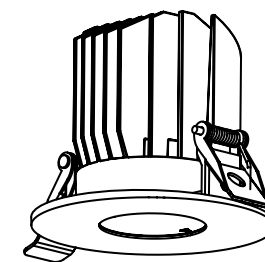


11172LED
108mm

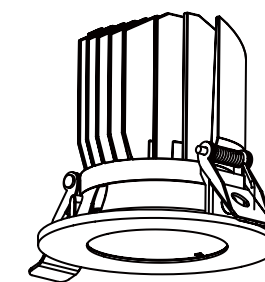
LED Wall Washer Downlight(Washing Height)

Features:

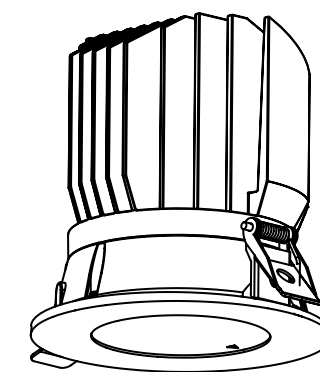
- Excellent uniform light distribution.
- Optical Tilt angle design, just put the luminaires to the place, no need to adjust lamps.
- Applications: architecture lighting, indoor wall washer, billboards and background lighting...etc.



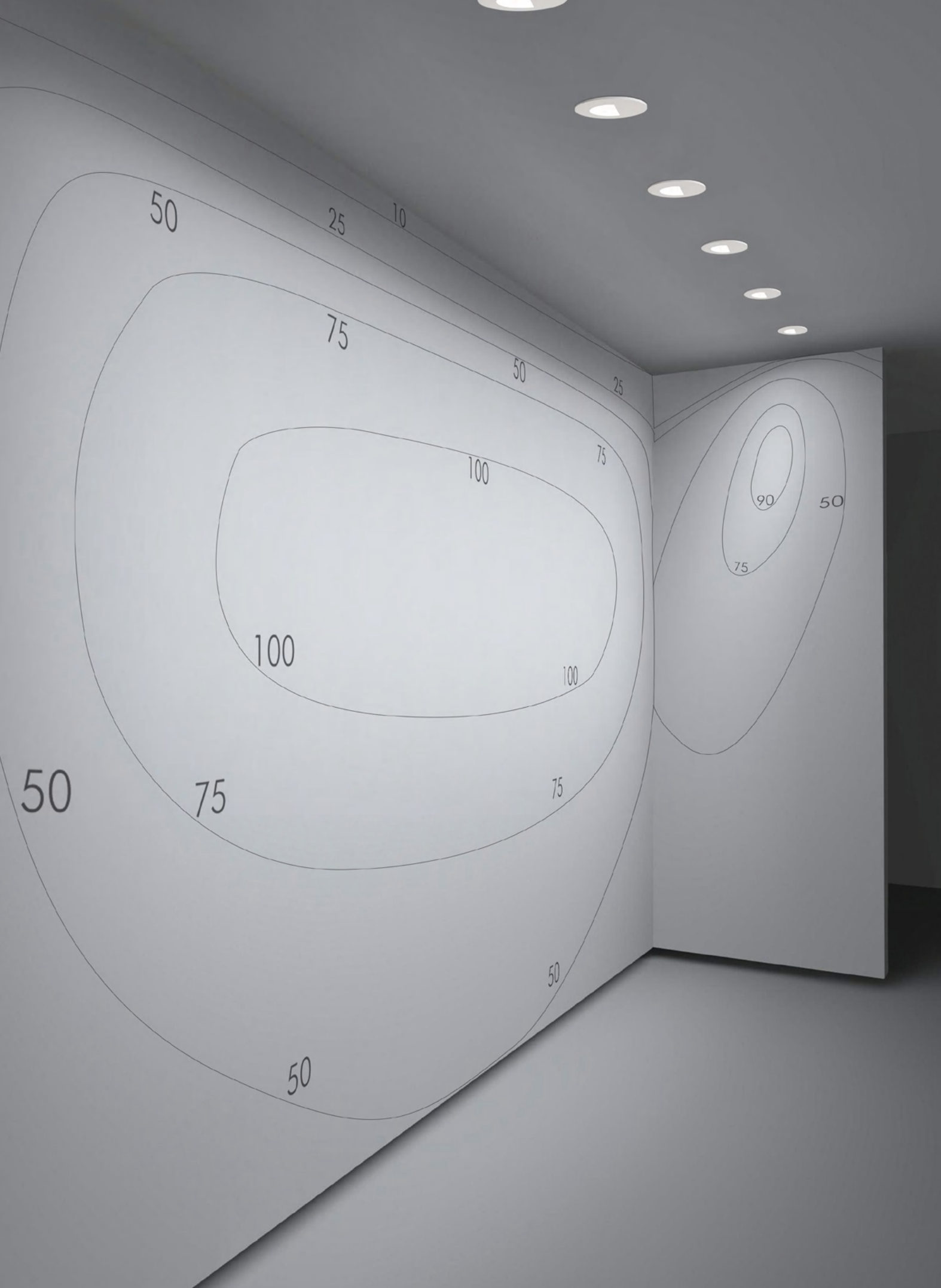
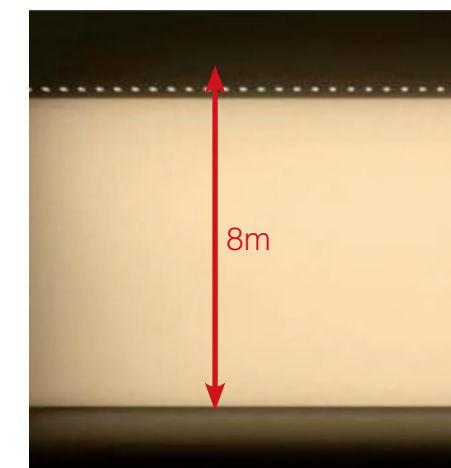
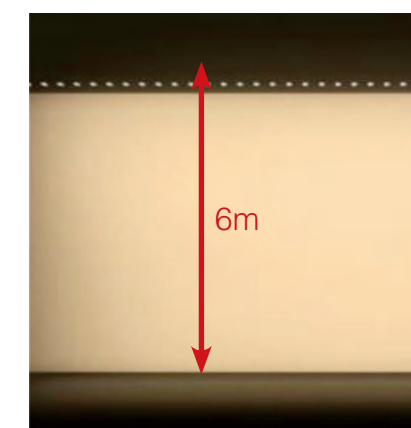
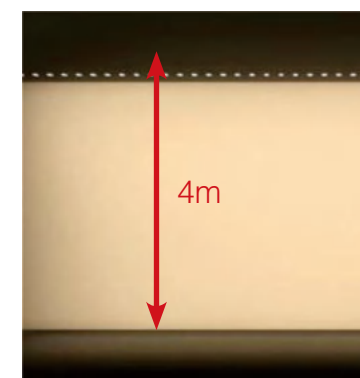
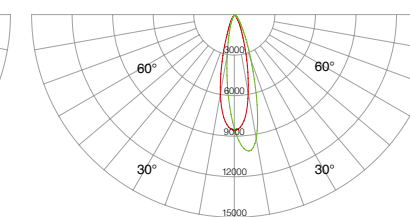
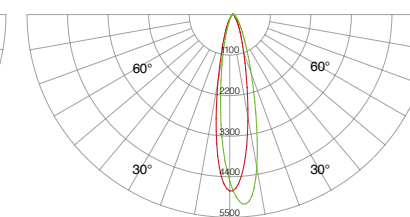
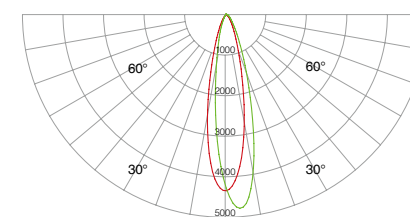
Model No.: 1931LED
Optical Tilt: 5°



Model No.: 1934LED
Optical Tilt: 5°



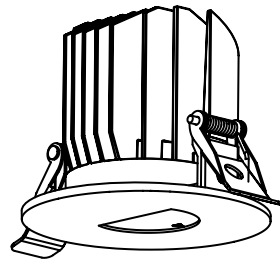
Model No.: 11171LED
Optical Tilt: 5°



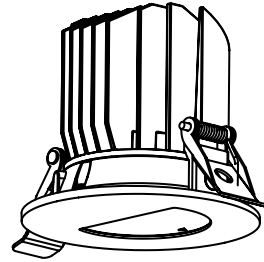
LED Wall Washer Downlight(Washing Width)

Features:

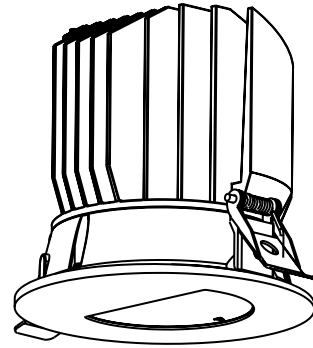
- Excellent uniform light distribution.
- Optical Tilt angle design, just put the luminaires to the place, no need to adjust lamps.
- Applications: architecture lighting, indoor wall washer, billboards and background lighting...etc.



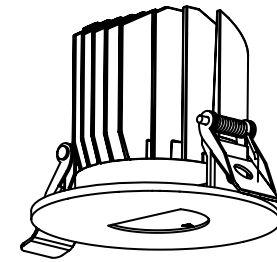
Model No.: 1932LED
Optical Tilt: 20°



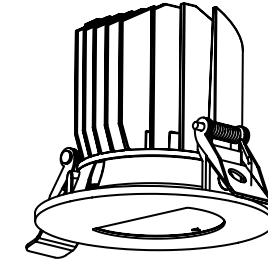
Model No.: 1935LED
Optical Tilt: 20°



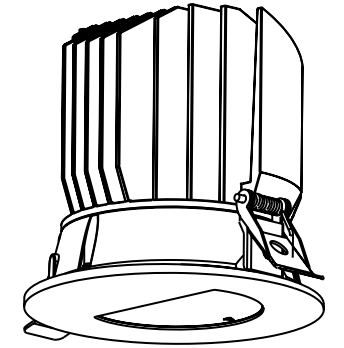
Model No.: 11172LED
Optical Tilt: 20°



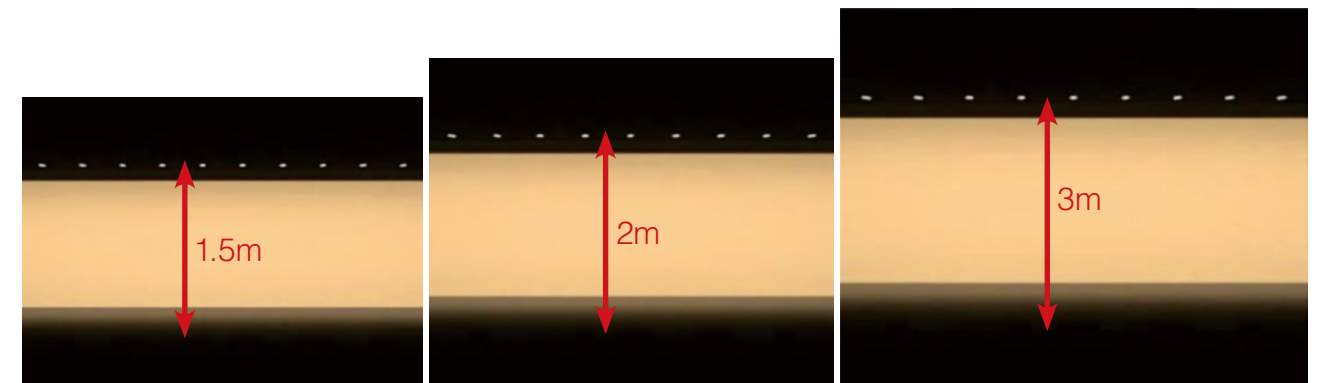
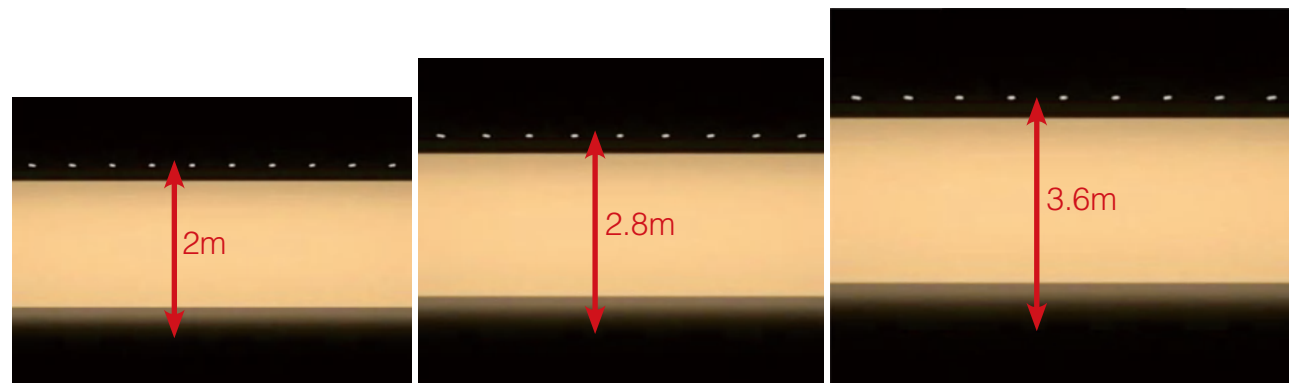
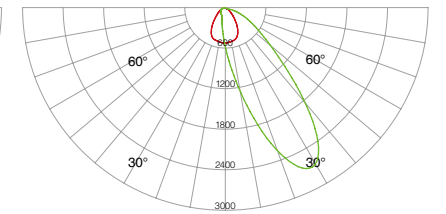
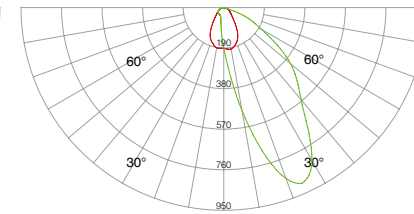
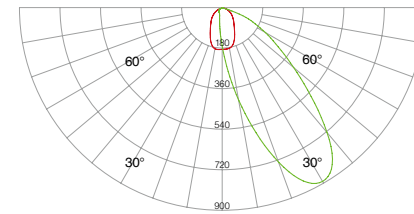
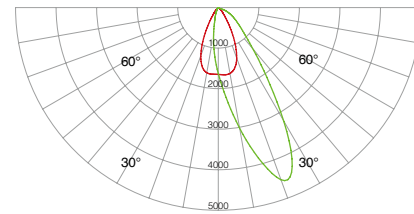
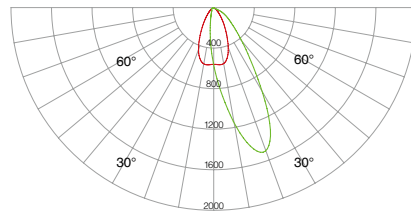
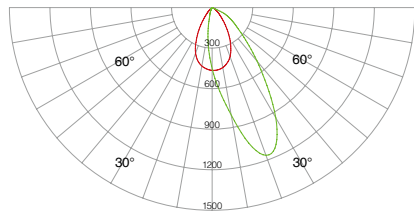
Model No.: 1932LED
Optical Tilt: 30°



Model No.: 1935LED
Optical Tilt: 30°



Model No.: 11172LED
Optical Tilt: 30°





CENTAURO

Wall Washer 1931LED



Quickinfo

GENERAL
Recessed
IP20

LED
CITIZEN
10W, 15W
2700K, 3000K, 4000K, 5000K
50000h@L80
CRI≥90
SDCM: 3

OPTICAL
Optical Tilt 5°(Beam angle 23°x25°)

ELECTRICAL
NON-DIM,
PHASE,
1-10V,
DALI,
BLUETOOTH

PHYSICAL
Aluminum



Description

The height-direction wall washer can wash the wall with high brightness, which can help you to evenly light up the space with a maximum height of 4 meters.

Applications

Architecture lighting, Indoor wall washer, Billboards and Background lighting...etc.

Features



Standard configuration

COLOUR TEMPERATURE
2700K
3000K

CONTROL
NON-DIM

OPTICAL
Optical Tilt 5°(Beam angle 23°x25°)

COLOUR
White

Extended configuration

COLOUR TEMPERATURE
4000K
5000K

CONTROL
DALI, PHASE, 1-10V

COLOUR
Black

Options on request

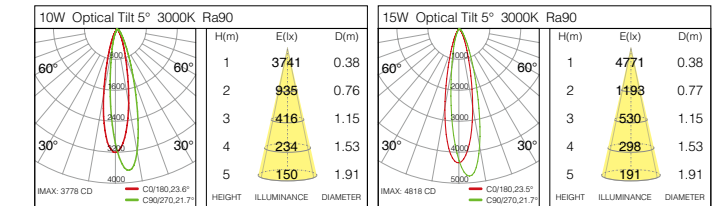
CONTROL
BLUETOOTH

Parameters

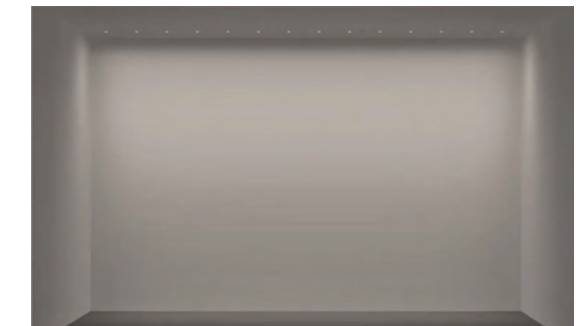
POWER	VF	CURRENT	CCT	LUMINOUS FLUX
10W	36V	250mA	2700K	932 lm
			3000K	958 lm
15W	36V	350mA	2700K	1214 lm
			3000K	1222 lm

Test standards:
Citizen COB, CRI 90, tolerance range of electrical and optical parameters: ±10%.

Light Distribution

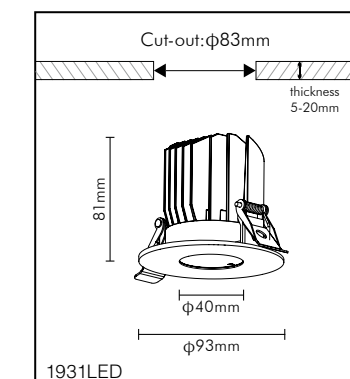


Light effect and planning aid



Emphasize the uniformity of the illuminated surface.

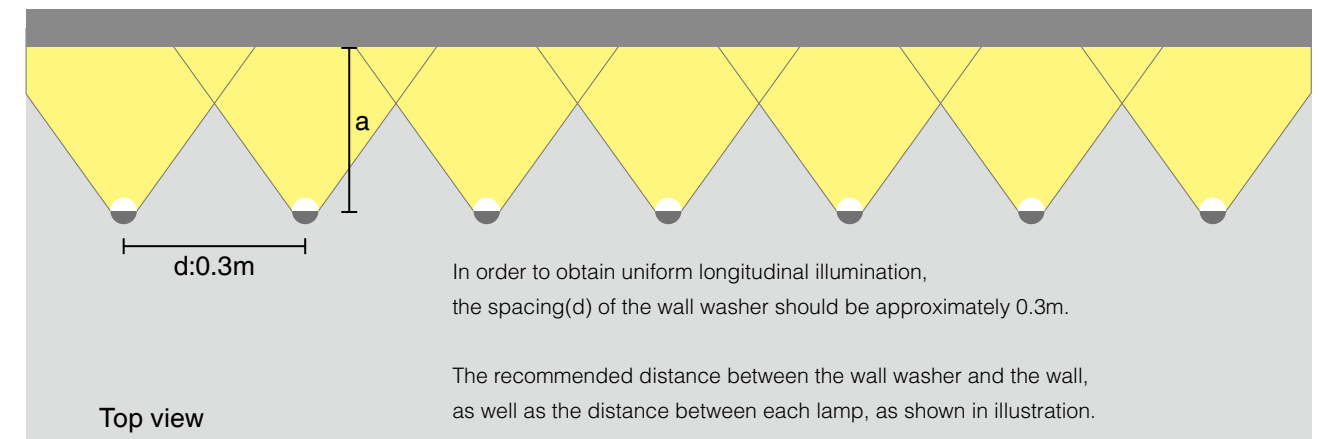
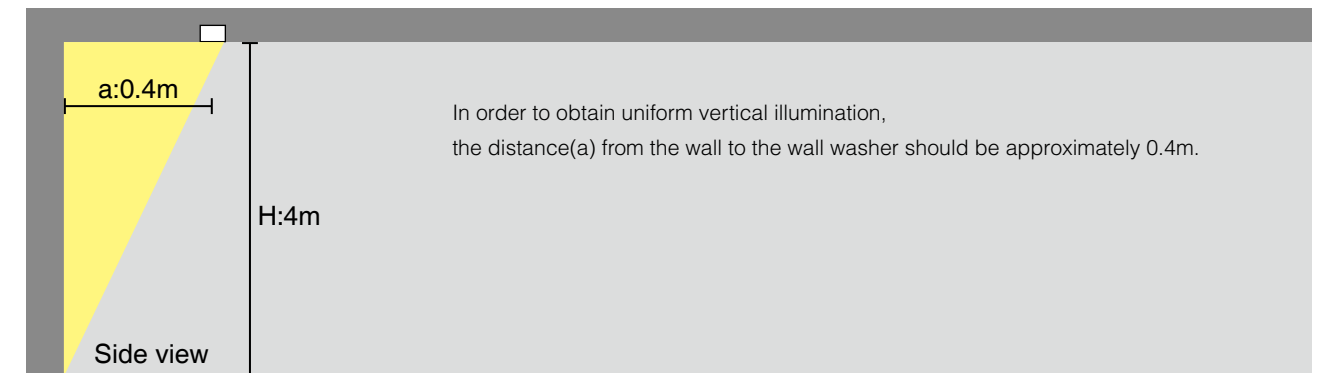
Mounting dimension





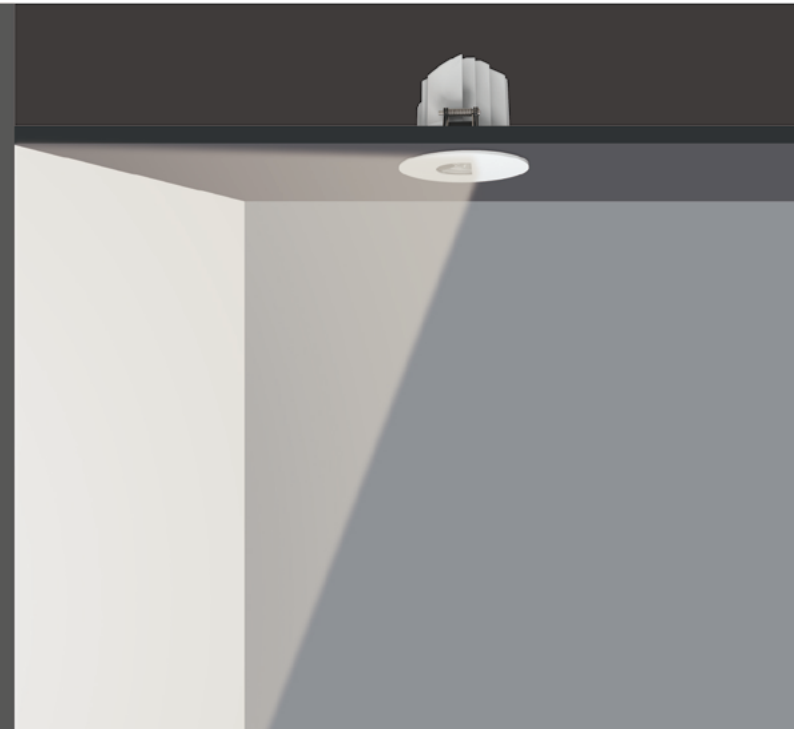
Model No.: 1931LED
Optical Tilt 5° (Beam angle 23°x25°)

Installation specifications(Optical tilt 5°)



CENTAURO

Wall Washer 1932LED



Quickinfo

GENERAL
Recessed
IP20

LED
CITIZEN
10W, 15W
2700K, 3000K, 4000K, 5000K
50000h@L80
CRI≥90
SDCM: 3

OPTICAL
Optical Tilt 20°(Beam angle 35°x62°)
Optical Tilt 30°(Beam angle 38°x65°)

ELECTRICAL
NON-DIM,
PHASE,
1-10V,
DALI,
BLUETOOTH

PHYSICAL
Aluminum



Description

The width-direction wall washer light for softly wall washing, which can help you to evenly light up the space with a maximum height of 2 meters.

Applications

Architecture lighting, Indoor wall washer, Billboards and Background lighting...etc.

Features



Standard configuration

COLOUR TEMPERATURE
2700K
3000K

CONTROL
NON-DIM

OPTICAL
Optical Tilt 20°(Beam angle 35°x62°)
Optical Tilt 30°(Beam angle 38°x65°)

COLOUR
White

Extended configuration

COLOUR TEMPERATURE
4000K
5000K

CONTROL
DALI, PHASE, 1-10V

COLOUR
Black

Options on request

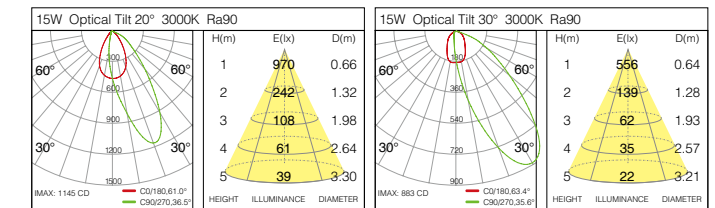
CONTROL
BLUETOOTH

Parameters

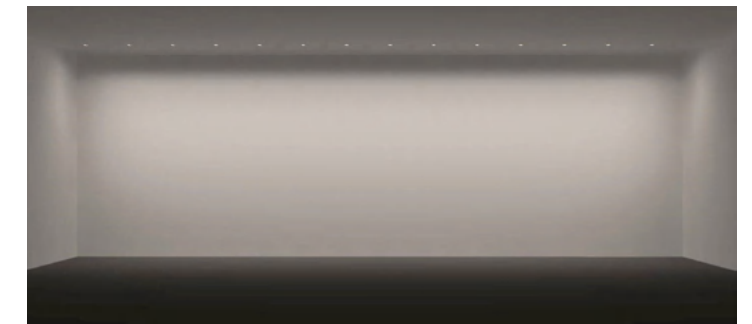
POWER	VF	CURRENT	CCT	LUMINOUS FLUX
10W	36V	250mA	2700K	510~610 lm
			3000K	513~644 lm
15W	36V	350mA	2700K	650~791 lm
			3000K	654~823 lm

Test standards:
Citizen COB, CRI 90, tolerance range of electrical and optical parameters: ±10%.

Light Distribution

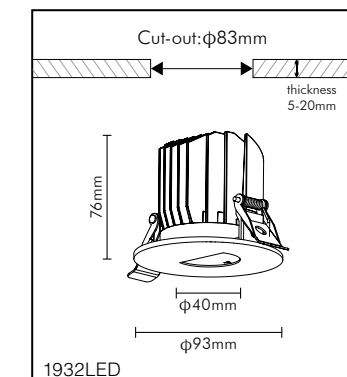


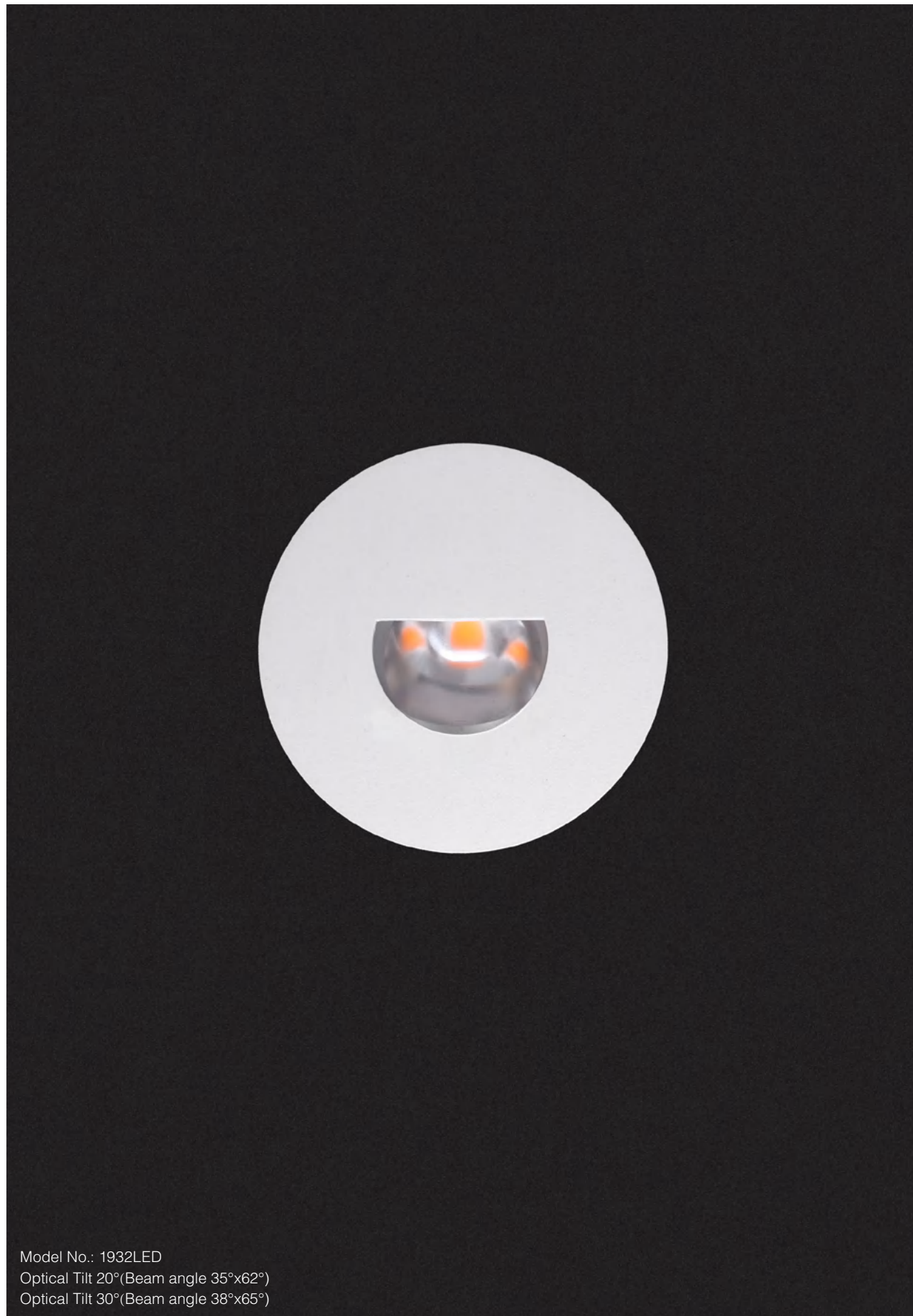
Light effect and planning aid



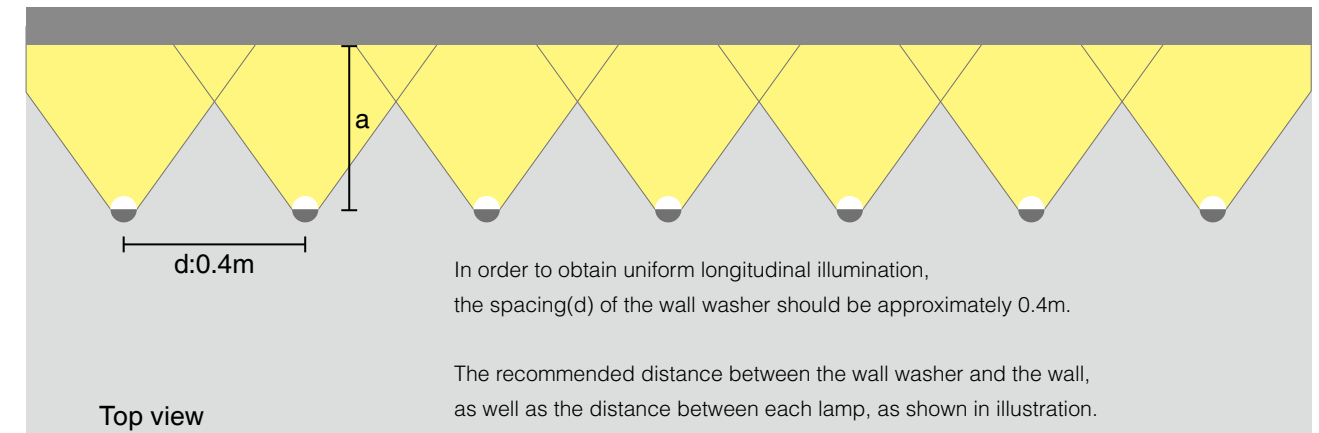
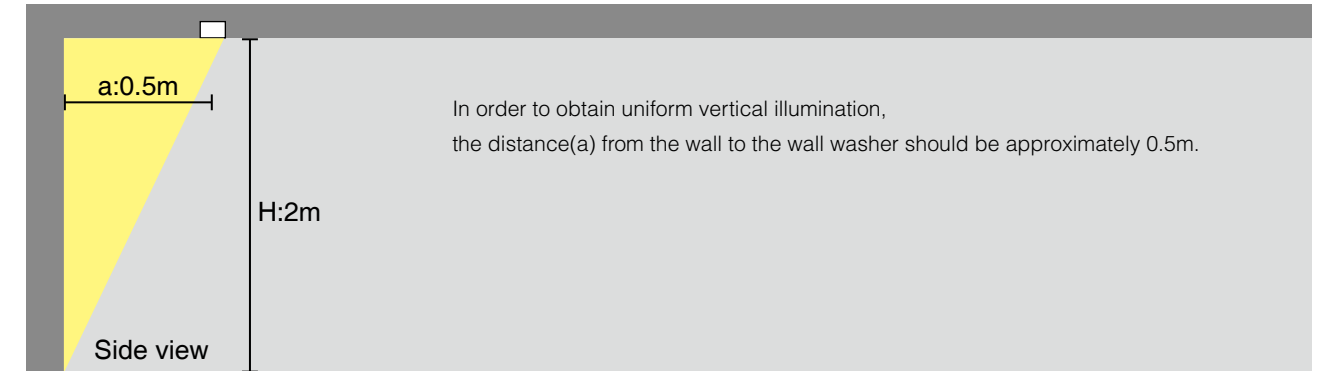
Emphasize the uniformity of the illuminated surface.

Mounting dimension

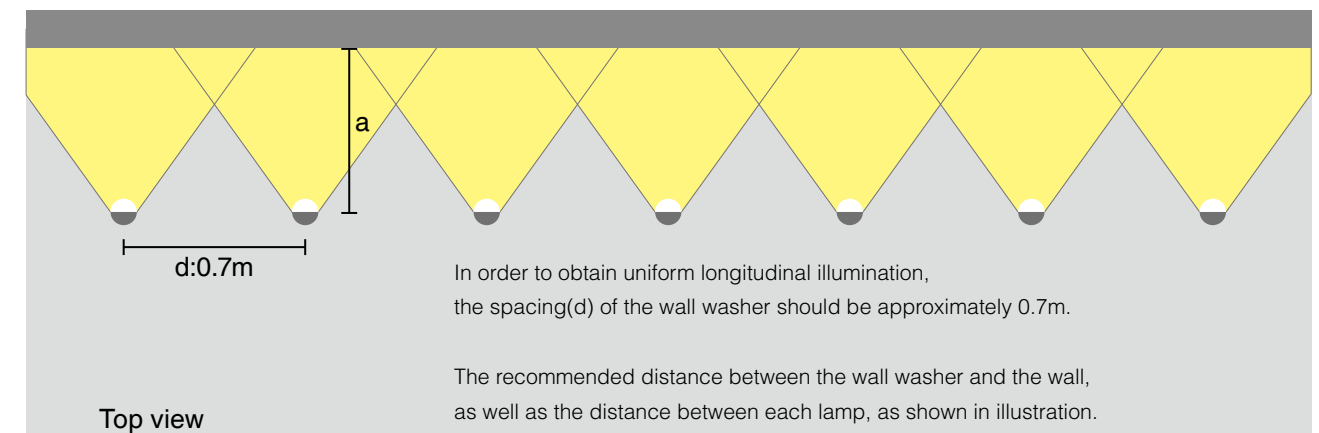
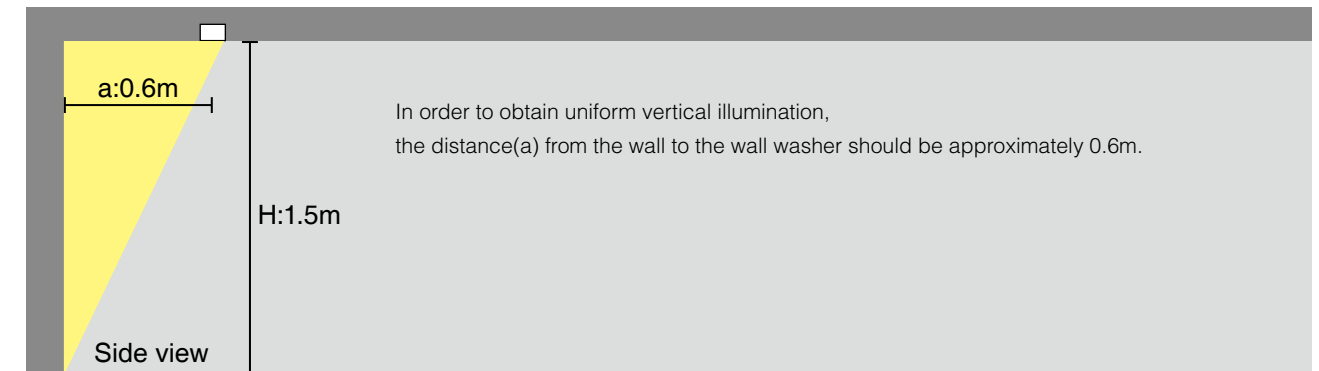




Installation specifications(Optical tilt 20°)



Installation specifications(Optical tilt 30°)



Model No.: 1932LED
Optical Tilt 20°(Beam angle 35°x62°)
Optical Tilt 30°(Beam angle 38°x65°)

CENTAURO

Wall Washer 1934LED



Quickinfo

GENERAL
Recessed
IP20

LED
CITIZEN
10W, 15W
2700K, 3000K, 4000K, 5000K
50000h@L80
CRI≥90
SDCM: 3

OPTICAL
Optical Tilt 5°(Beam angle 22°x24°)

ELECTRICAL
NON-DIM,
PHASE,
1-10V,
DALI,
BLUETOOTH

PHYSICAL
Aluminum



Description

The height-direction wall washer can wash the wall with high brightness, which can help you to evenly light up the space with a maximum height of 6 meters.

Applications

Architecture lighting, Indoor wall washer, Billboards and Background lighting...etc.

Features



Standard configuration

COLOUR TEMPERATURE
2700K
3000K

CONTROL
NON-DIM

OPTICAL
Optical Tilt 5°(Beam angle 22°x24°)

COLOUR
White

Extended configuration

COLOUR TEMPERATURE
4000K
5000K

CONTROL
DALI, PHASE, 1-10V

COLOUR
Black

Options on request

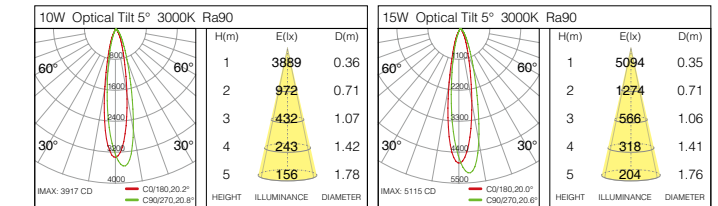
CONTROL
BLUETOOTH

Parameters

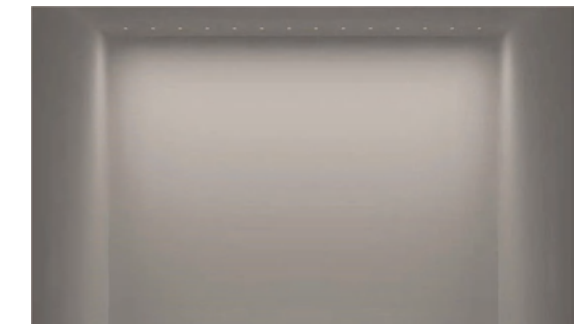
POWER	VF	CURRENT	CCT	LUMINOUS FLUX
10W	36V	250mA	2700K	877 lm
			3000K	905 lm
15W	36V	350mA	2700K	1007 lm
			3000K	1149 lm

Test standards:
Citizen COB, CRI 90, tolerance range of electrical and optical parameters: ±10%.

Light Distribution

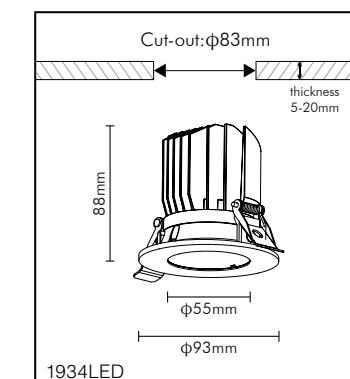


Light effect and planning aid



Emphasize the uniformity of the illuminated surface.

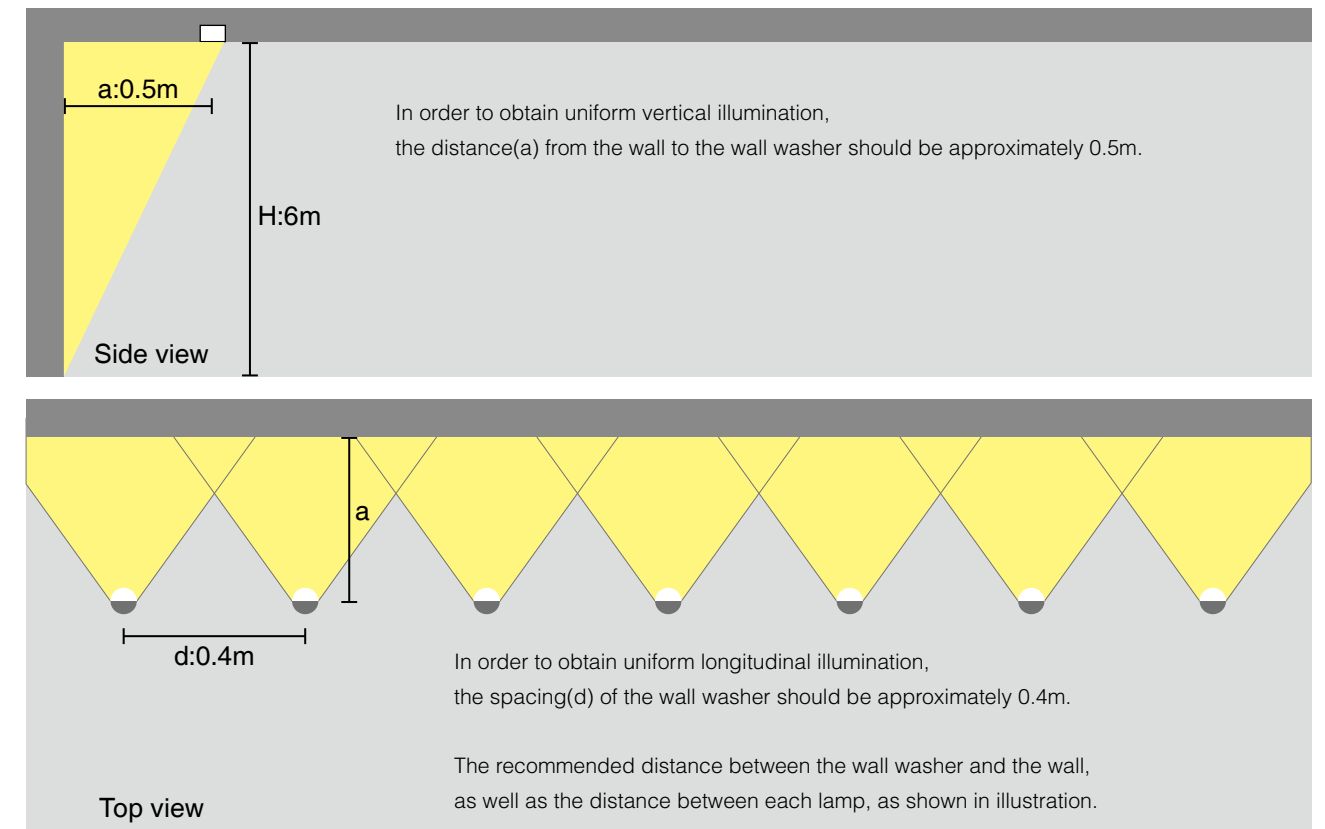
Mounting dimension





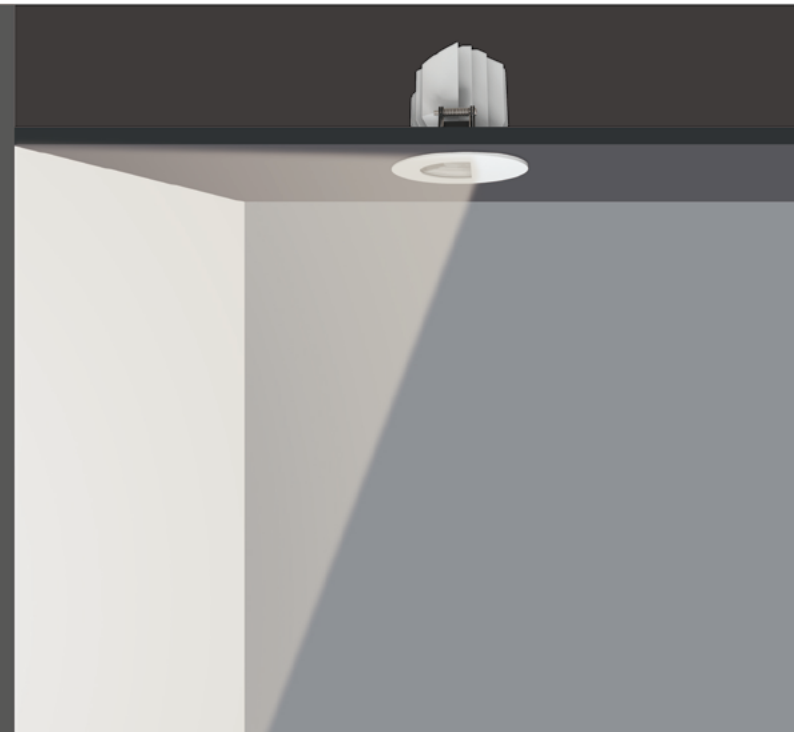
Model No.: 1934LED
Optical Tilt 5° (Beam angle 22°x24°)

Installation specifications(Optical tilt 5°)



CENTAURO

Wall Washer 1935LED



Quickinfo

GENERAL
Recessed
IP20

LED
CITIZEN
10W, 15W
2700K, 3000K, 4000K, 5000K
50000h@L80
CRI≥90
SDCM: 3

OPTICAL
Optical Tilt 20°(Beam angle 30°x54°)
Optical Tilt 30°(Beam angle 39°x69°)

ELECTRICAL
NON-DIM,
PHASE,
1-10V,
DALI,
BLUETOOTH

PHYSICAL
Aluminum



Description

The width-direction wall washer light for softly wall washing, which can help you to evenly light up the space with a maximum height of 2.8 meters.

Applications

Architecture lighting, Indoor wall washer, Billboards and Background lighting...etc.

Features



Standard configuration

COLOUR TEMPERATURE
2700K
3000K

CONTROL
NON-DIM

OPTICAL
Optical Tilt 20°(Beam angle 30°x54°)
Optical Tilt 30°(Beam angle 39°x69°)

COLOUR
White

Extended configuration

COLOUR TEMPERATURE
4000K
5000K

CONTROL
DALI, PHASE, 1-10V

COLOUR
Black

Options on request

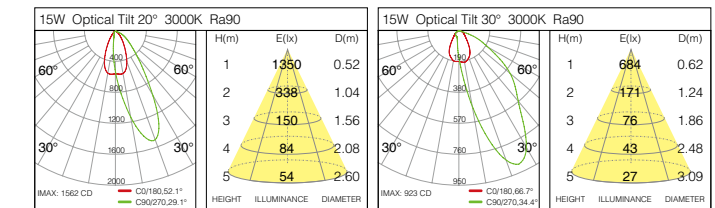
CONTROL
BLUETOOTH

Parameters

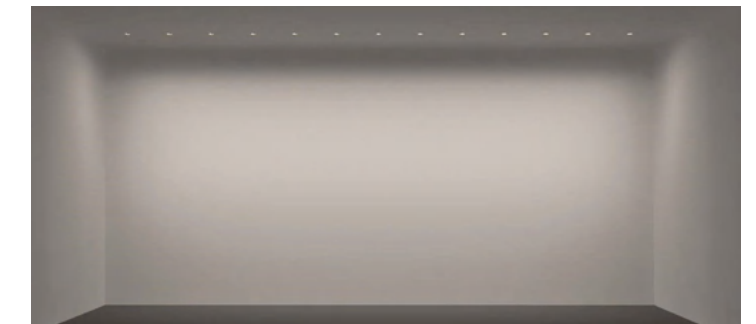
POWER	VF	CURRENT	CCT	LUMINOUS FLUX
10W	36V	250mA	2700K 3000K	505~649 lm 514~674 lm
15W	36V	350mA	2700K 3000K	633~832 lm 662~859 lm

Test standards:
Citizen COB, CRI 90, tolerance range of electrical and optical parameters: ±10%.

Light Distribution

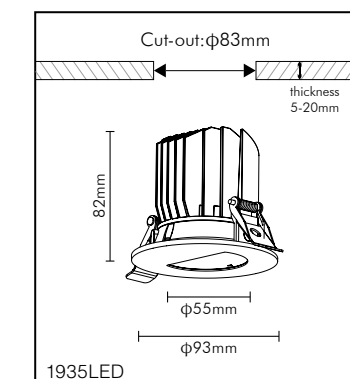


Light effect and planning aid



Emphasize the uniformity of the illuminated surface.

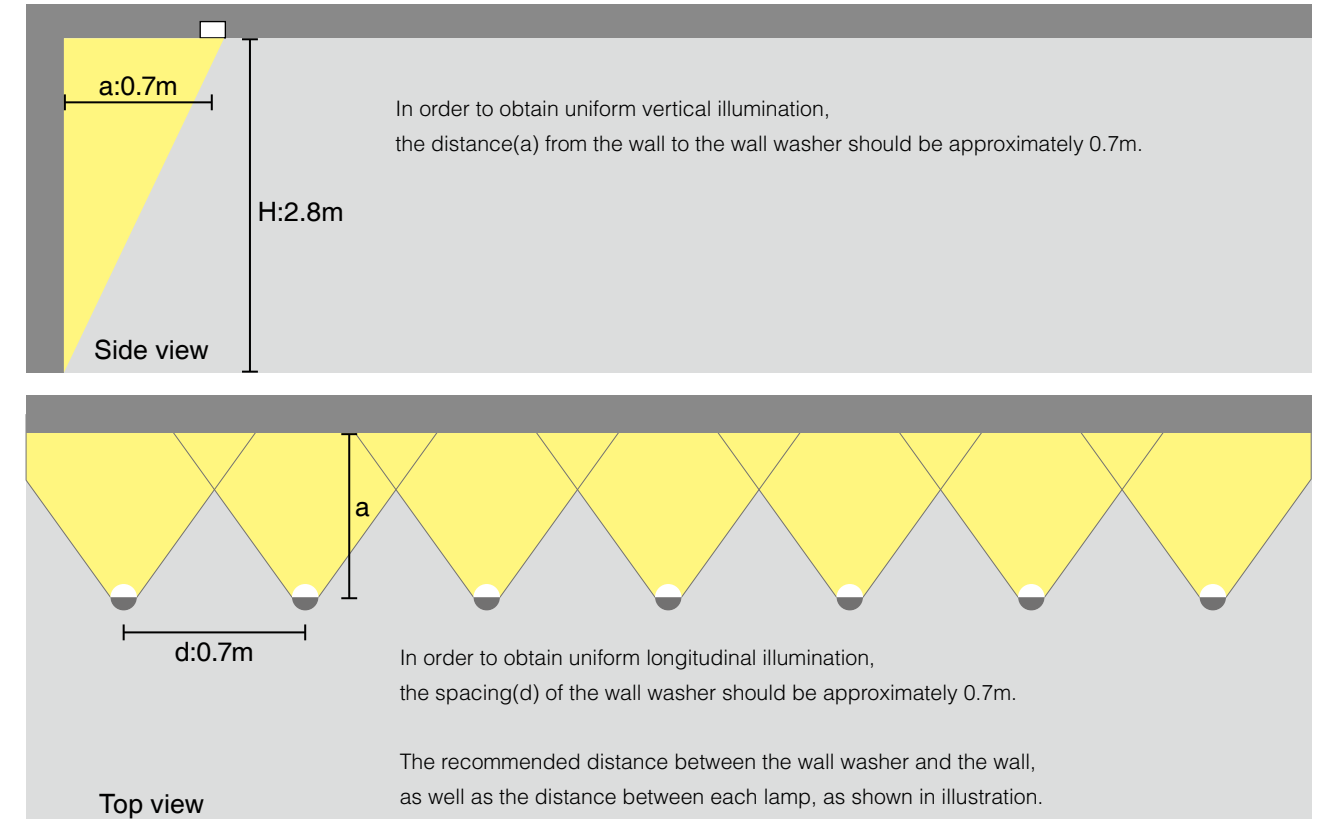
Mounting dimension



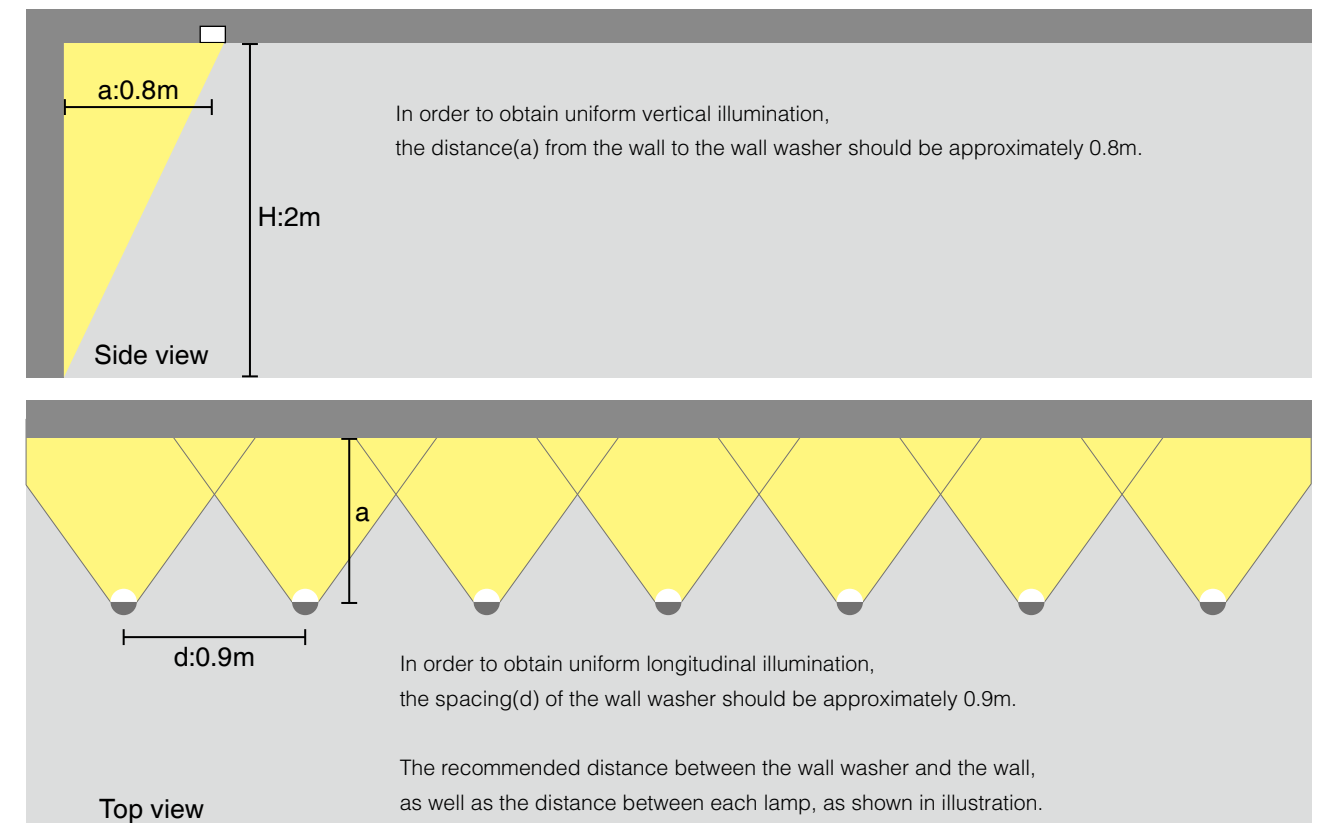


Model No.: 1935LED
Optical Tilt 20°(Beam angle 30°x54°)
Optical Tilt 30°(Beam angle 39°x69°)

Installation specifications(Optical tilt 20°)



Installation specifications(Optical tilt 30°)





CENTAURO

Wall Washer 11171LED



Quickinfo

GENERAL
Recessed
IP20

LED
CITIZEN
25W, 30W, 36W
2700K, 3000K, 4000K, 5000K
50000h@L80
CRI≥90
SDCM: 3

OPTICAL
Optical Tilt 5°(Beam angle 22°x25°)

ELECTRICAL
NON-DIM,
PHASE,
1-10V,
DALI,
BLUETOOTH

PHYSICAL
Aluminum



Description

The height-direction wall washer can wash the wall with high brightness, which can help you to evenly light up the space with a maximum height of 8 meters.

Applications

Architecture lighting, Indoor wall washer, Billboards and Background lighting...etc.

Features



Standard configuration

COLOUR TEMPERATURE
2700K
3000K

CONTROL
NON-DIM

OPTICAL
Optical Tilt 5°(Beam angle 22°x25°)

COLOUR
White

Extended configuration

COLOUR TEMPERATURE
4000K
5000K

CONTROL
DALI, PHASE, 1-10V

COLOUR
Black

Options on request

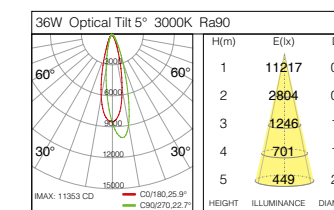
CONTROL
BLUETOOTH

Parameters

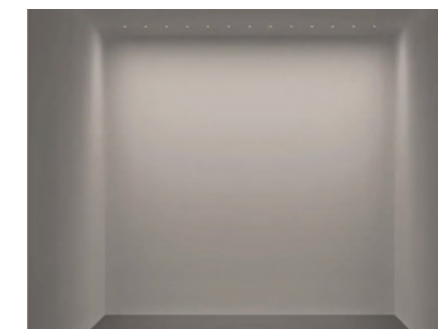
POWER	VF	CURRENT	CCT	LUMINOUS FLUX
25W	36V	600mA	2700K	2275 lm
			3000K	2281 lm
30W	36V	700mA	2700K	2565 lm
			3000K	2571 lm
36W	36V	900mA	2700K	3095 lm
			3000K	3098 lm

Test standards:
Citizen COB, CRI 90, tolerance range of electrical and optical parameters: ±10%.

Light Distribution

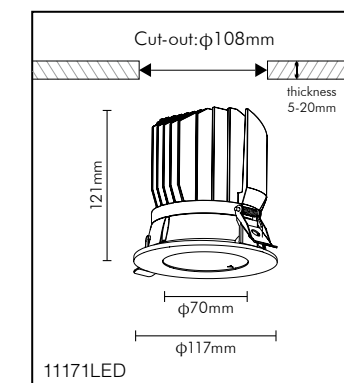


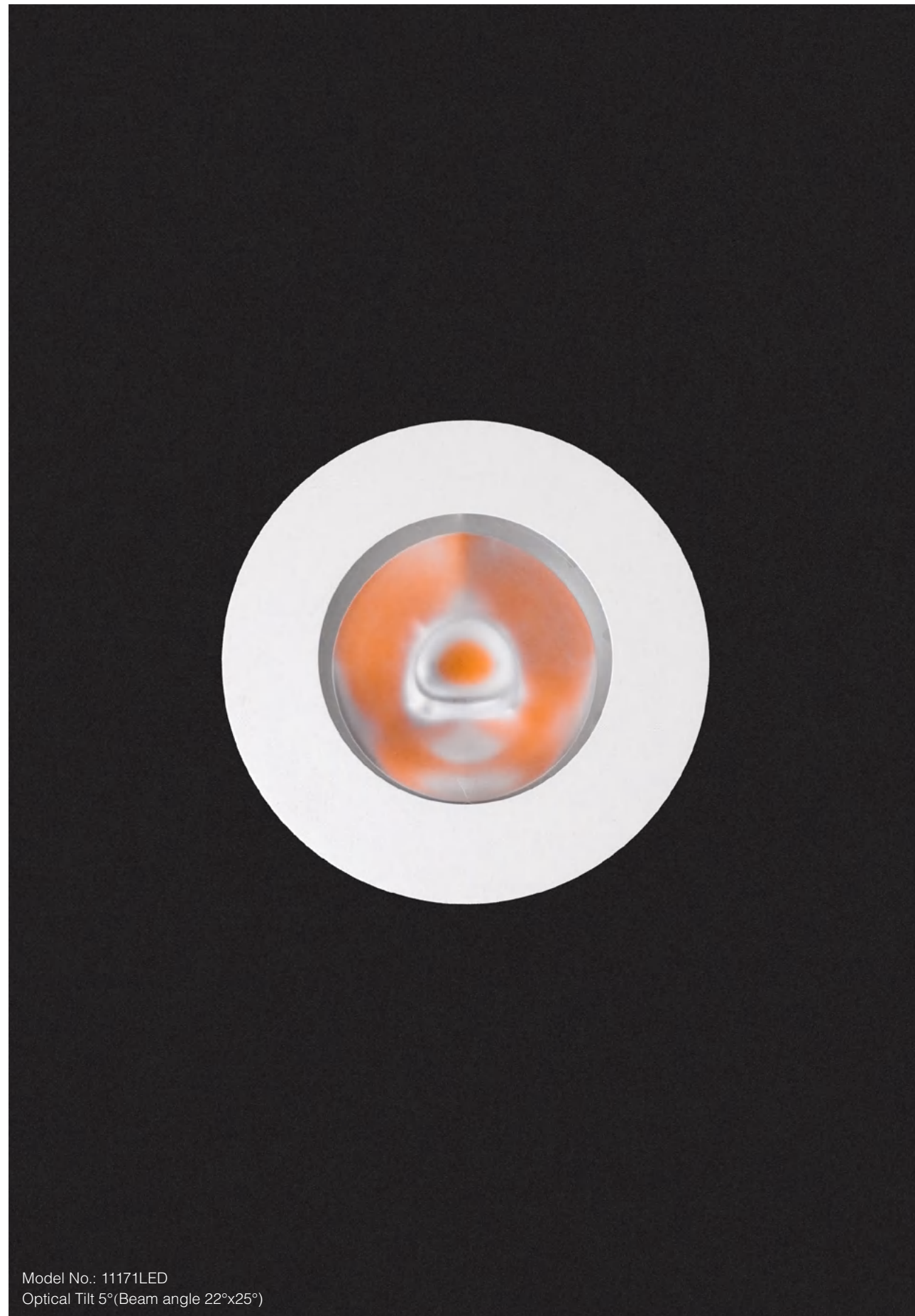
Light effect and planning aid



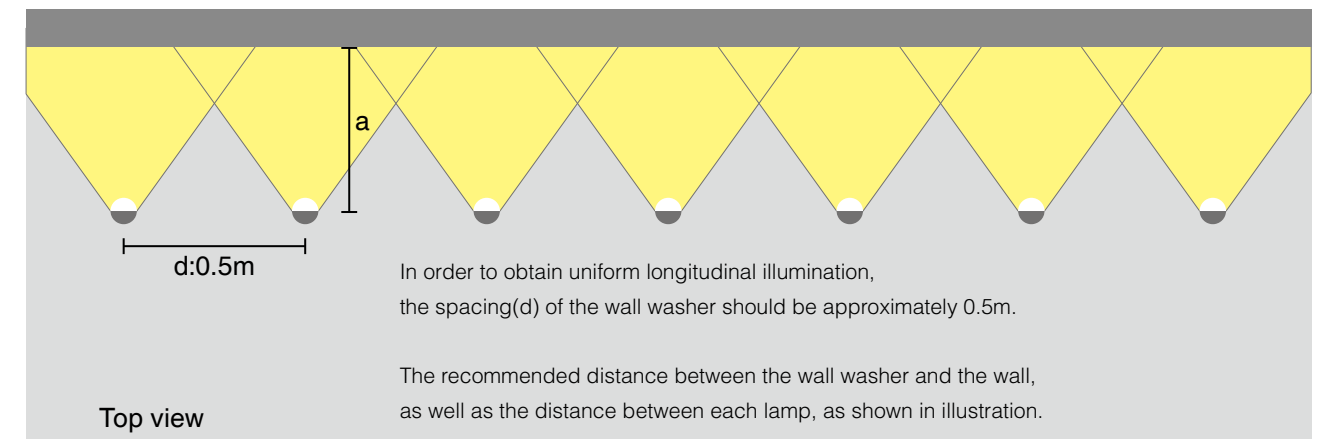
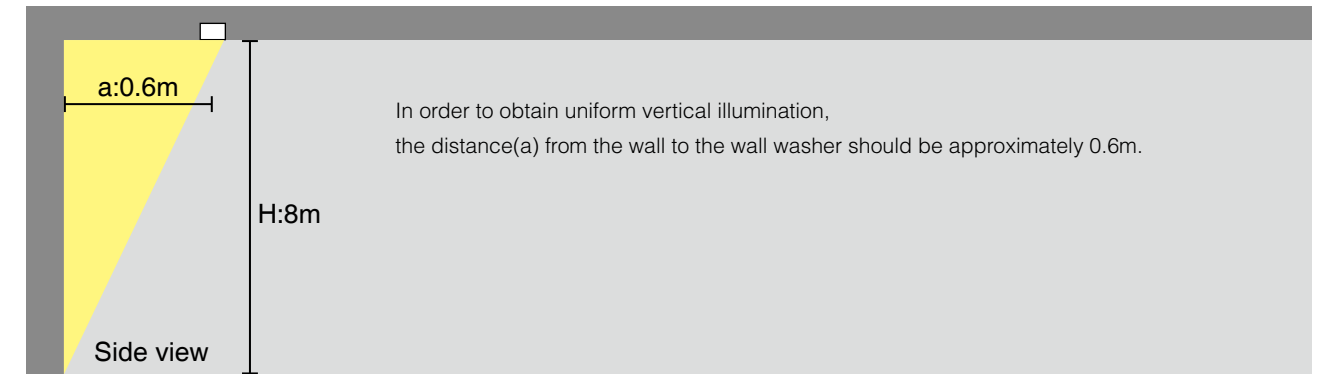
Emphasize the uniformity of the illuminated surface.

Mounting dimension





Installation specifications(Optical tilt 5°)



CENTAURO

Wall Washer 11172LED



Quickinfo

GENERAL
Recessed
IP20

LED
CITIZEN
25W, 30W, 36W
2700K, 3000K, 4000K, 5000K
50000h@L80
CRI≥90
SDCM: 3

OPTICAL
Optical Tilt 20°(Beam angle 29°x53°)
Optical Tilt 30°(Beam angle 35°x73°)
Optical Tilt 40°(Beam angle 36°x75°)

ELECTRICAL
NON-DIM,
PHASE,
1-10V,
DALI,
BLUETOOTH

PHYSICAL
Aluminum



Description

The width-direction wall washer light for softly wall washing, which can help you to evenly light up the space with a maximum height of 3.6 meters.

Applications

Architecture lighting, Indoor wall washer, Billboards and Background lighting...etc.

Features



Standard configuration

COLOUR TEMPERATURE
2700K
3000K

CONTROL
NON-DIM

OPTICAL
Optical Tilt 20°(Beam angle 29°x53°)
Optical Tilt 30°(Beam angle 35°x73°)
Optical Tilt 40°(Beam angle 36°x75°)

COLOUR
White

Extended configuration

COLOUR TEMPERATURE
4000K
5000K

CONTROL
DALI, PHASE, 1-10V

COLOUR
Black

Options on request

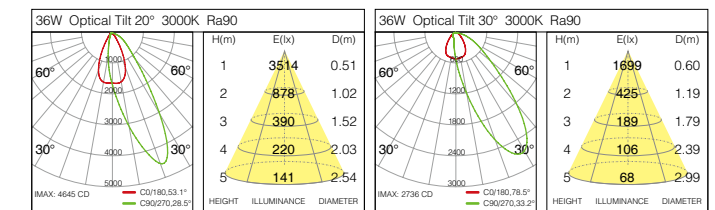
CONTROL
BLUETOOTH

Parameters

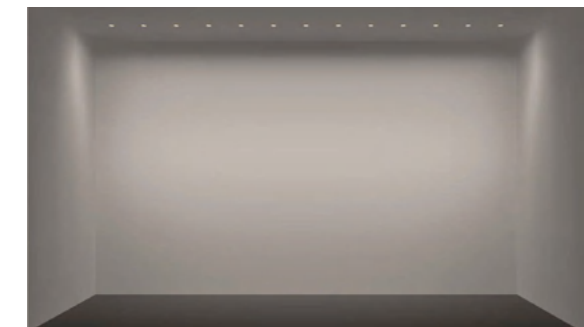
POWER	VF	CURRENT	CCT	LUMINOUS FLUX
25W	36V	600mA	2700K	1232~1755 lm
			3000K	1267~1796 lm
30W	36V	700mA	2700K	1394~2020 lm
			3000K	1430~2023 lm
36W	36V	900mA	2700K	1672~2433 lm
			3000K	1722~2439 lm

Test standards:
Citizen COB, CRI 90, tolerance range of electrical and optical parameters: ±10%.

Light Distribution

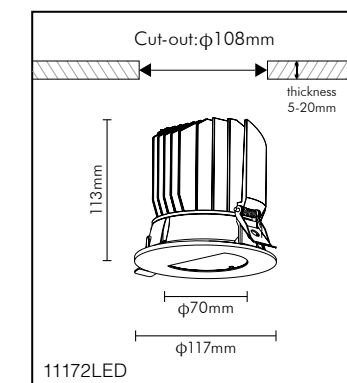


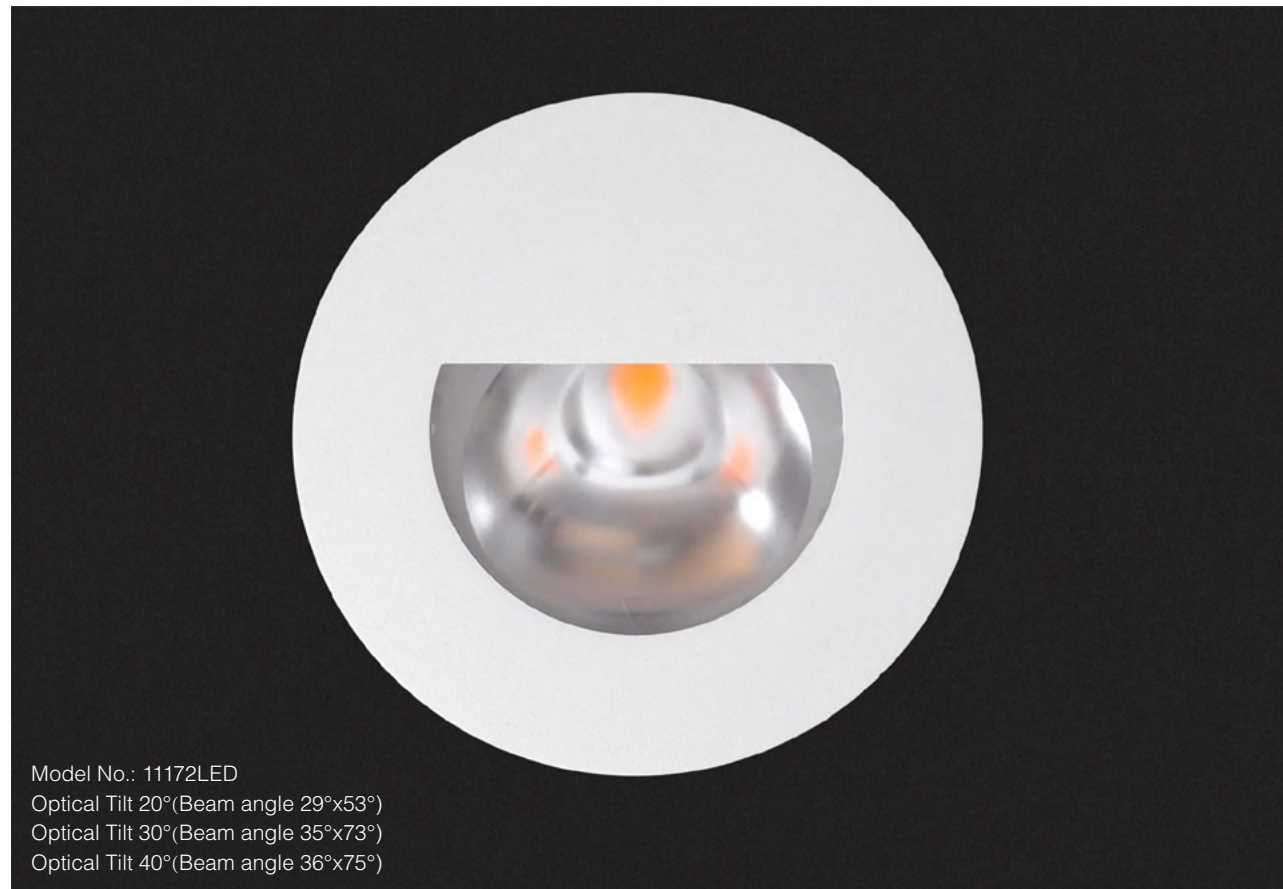
Light effect and planning aid



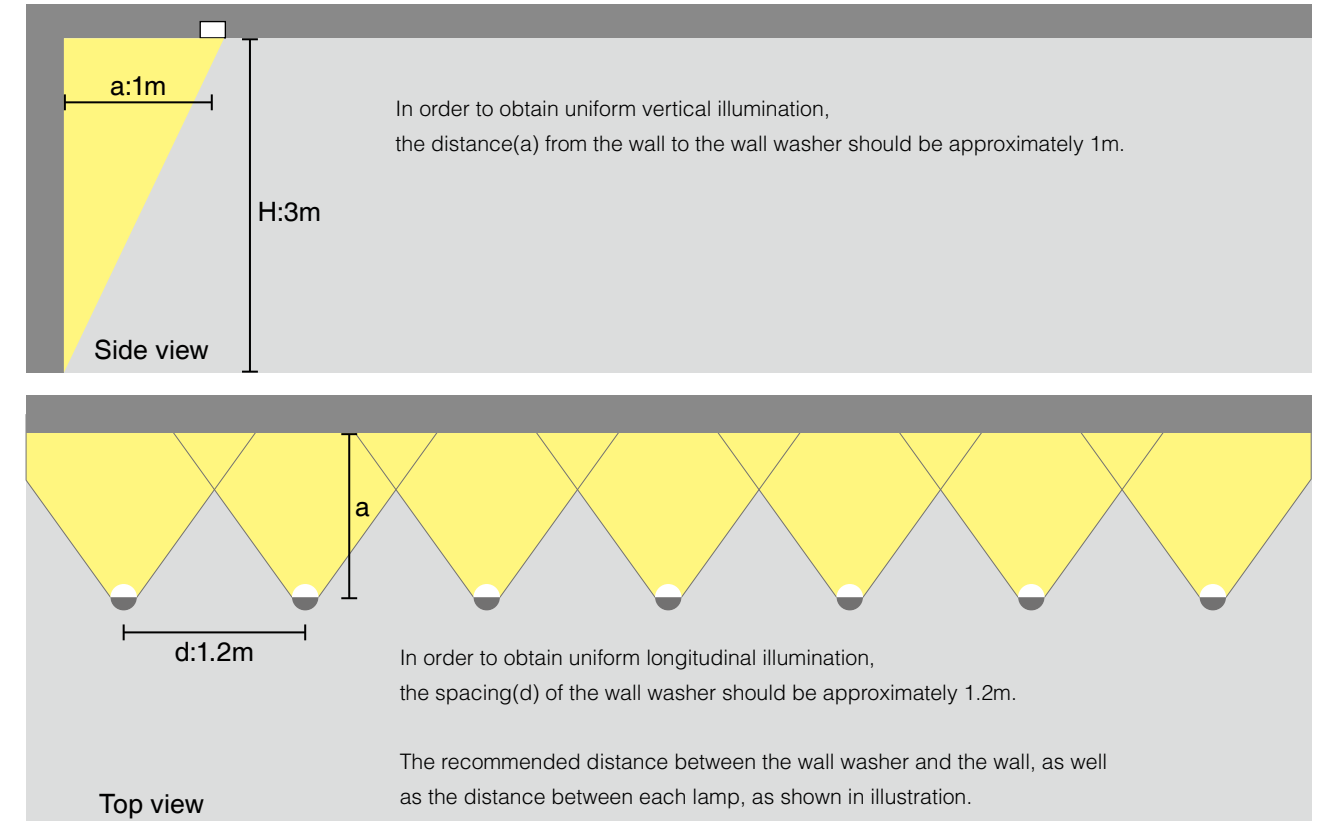
Emphasize the uniformity of the illuminated surface.

Mounting dimension

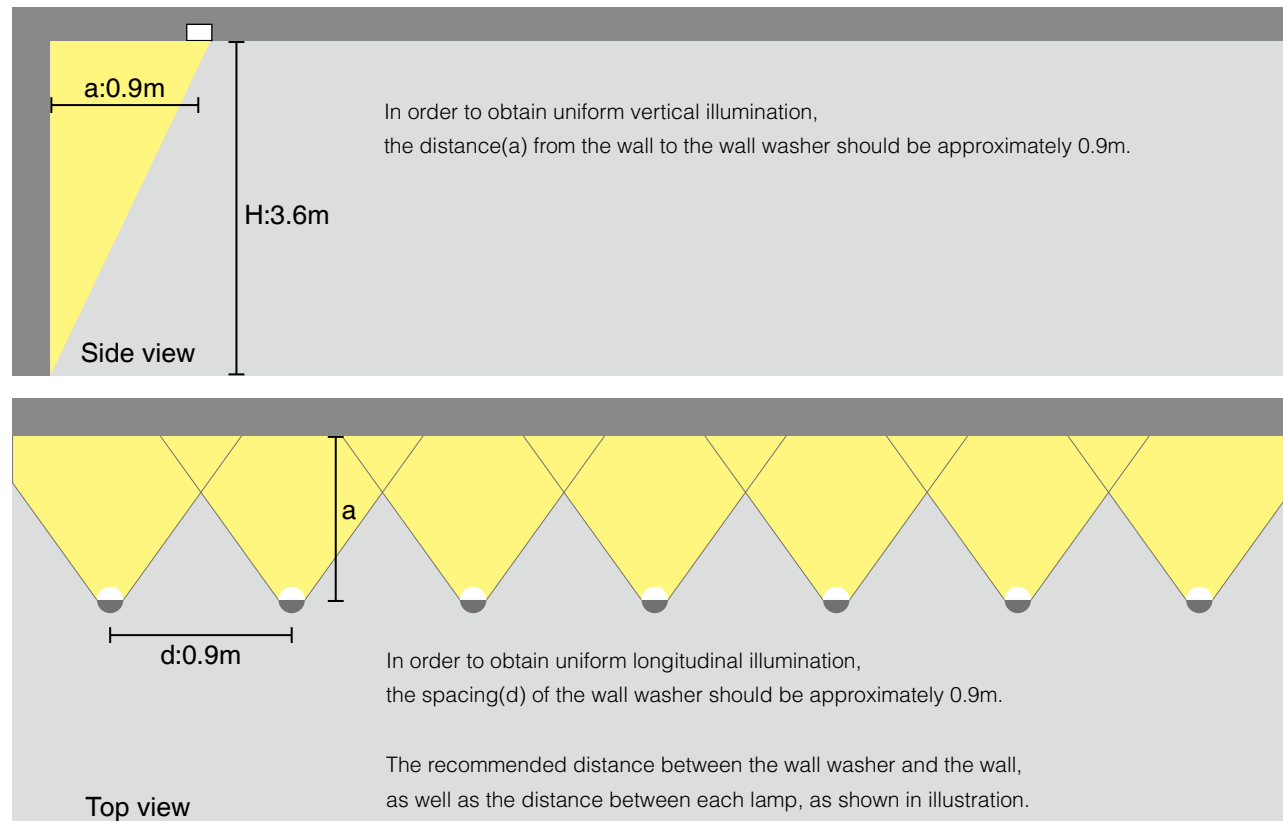




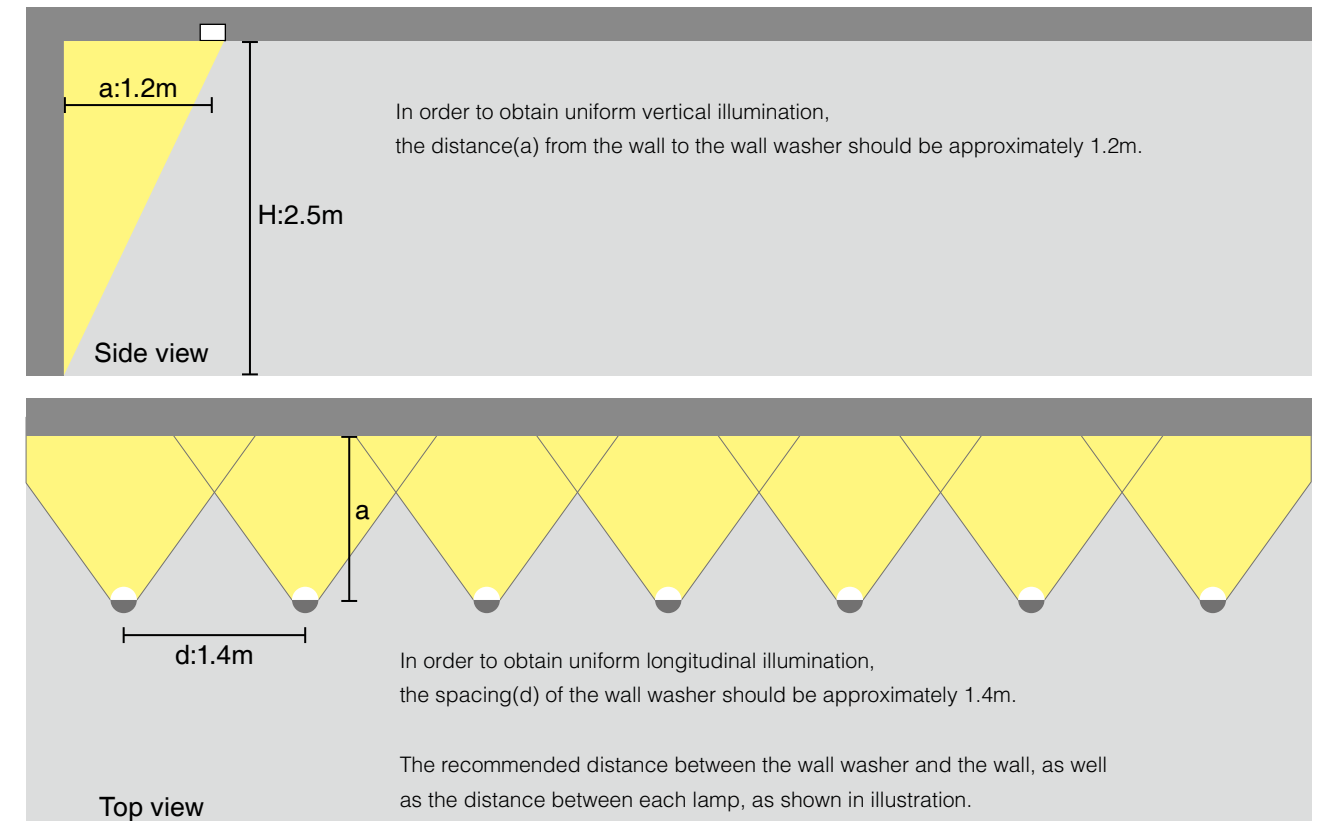
Installation specifications(Optical tilt 30°)



Installation specifications(Optical tilt 20°)



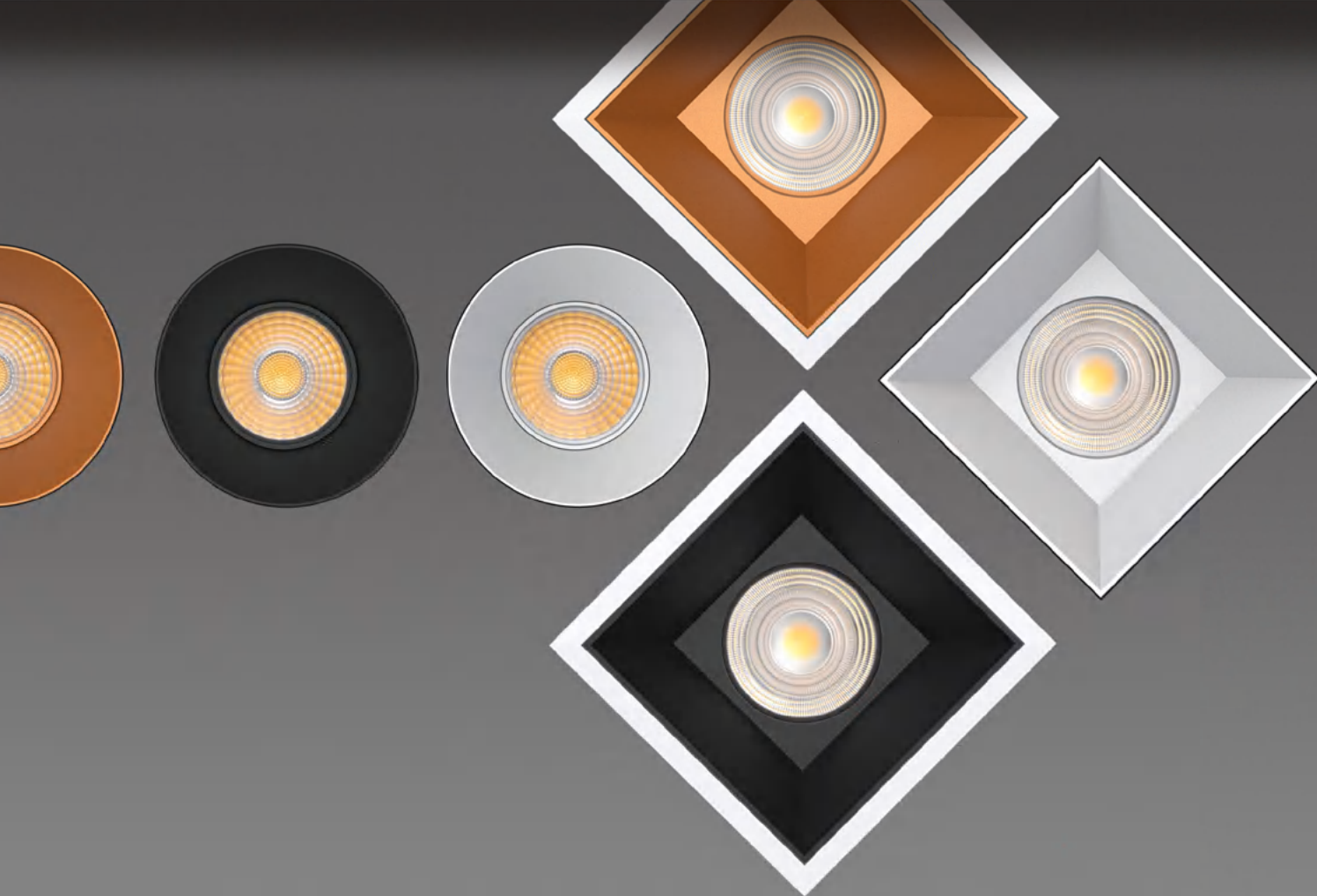
Installation specifications(Optical tilt 40°)

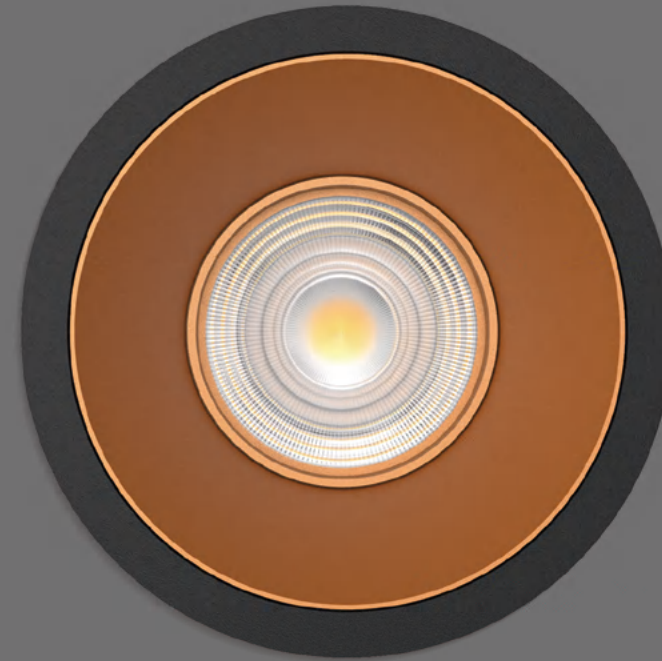
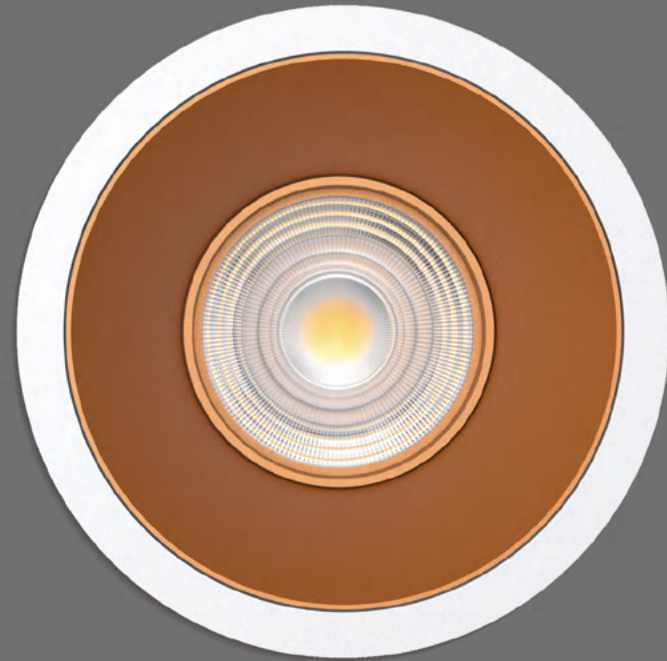


CENTAURO

Spotlight

- Unique one-piece die-casting aluminum heat sink.
- Optical design of the combination of lens and material, the light passes softly.
- Deep anti-glare design makes the light environment comfortable.
- COB chip technology with maximum efficiency is adopted to greatly improve optical efficiency.
- Separated design of lamp body and mounting parts, convenient maintenance, not easy to damage ceiling.





CENTAURO

Trimless W11011LED-2
Trim 11011LED-2



Quickinfo

GENERAL

Recessed
IP20

LED

CITIZEN
8W, 12W, 15W
2700K, 3000K, 4000K, 5000K
50000h@L80
CRI≥90
SDCM: 3

OPTICAL

Direct illumination
Beam angle 15°/24°/38°/60°/15°x40°
Optical accessories

ELECTRICAL

NON-DIM,
PHASE,
1-10V,
DALI,
BLUETOOTH

PHYSICAL

Aluminum



Description

Fixed lighting design, **Centauro** recessed downlight can help you better show the sense of space, saves the trouble of adjusting lamps.

Applications

Large architectrues, Hotels, Bars, Restaurants, Shopping centers, Retail stores, Showrooms, Galleries, Offices and Administration buildings.

Features



Standard configuration

COLOUR TEMPERATURE

2700K
3000K

CONTROL

NON-DIM

OPTICAL

15°/24°/38°/60°/15°x40°

COLOUR(housing)

White

COLOUR(reflector)

White

Extended configuration

COLOUR TEMPERATURE

4000K
5000K

CONTROL

DALI, PHASE, 1-10V

COLOUR(housing)

Black

COLOUR(reflector)

Black, Gold

Options on request

CONTROL

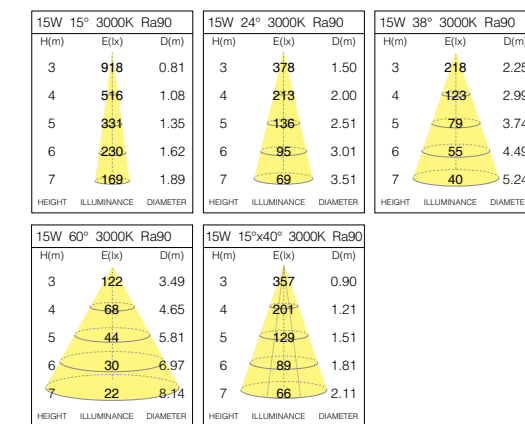
BLUETOOTH

Parameters

POWER	VF	CURRENT	CCT	LUMINOUS FLUX
8W	36V	200mA	2700K	605~792 lm
			3000K	638~812 lm
12W	36V	300mA	2700K	836~1010 lm
			3000K	924~1047 lm
15W	36V	350mA	2700K	998~1108 lm
			3000K	1048~1147 lm

Test standards:
Citizen COB, CRI 90, tolerance range of electrical and optical parameters: ±10%.

Light Distribution

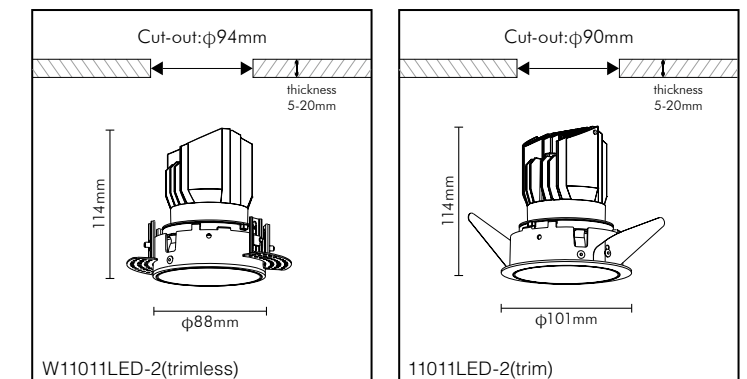


Light effect and planning aid



Emphasis of objects or architectural elements. Wide-beam illumination of larger objects or spatial zones.

Mounting dimension

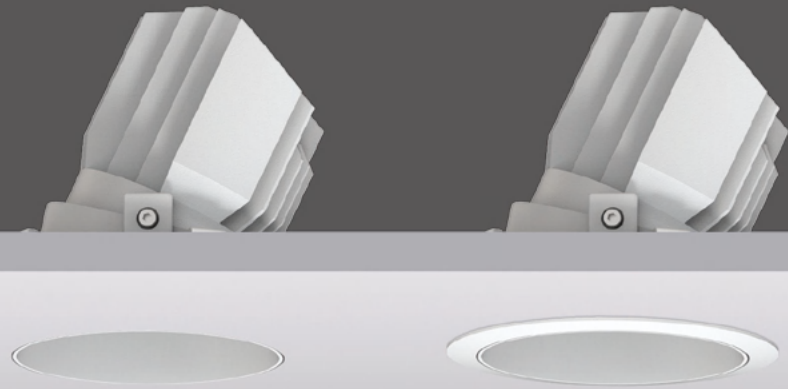






CENTAURO

Trimless W11012LED-2
Trim 11012LED-2



Quickinfo

GENERAL
Recessed
IP20

LED
CITIZEN
8W, 12W, 15W
2700K, 3000K, 4000K, 5000K
50000h@L80
CRI≥90
SDCM: 3

OPTICAL
Direct illumination
Beam angle 15°/24°/38°/60°/15°x40°
Optical accessories

ELECTRICAL
NON-DIM,
PHASE,
1-10V,
DALI,
BLUETOOTH

PHYSICAL
Aluminum



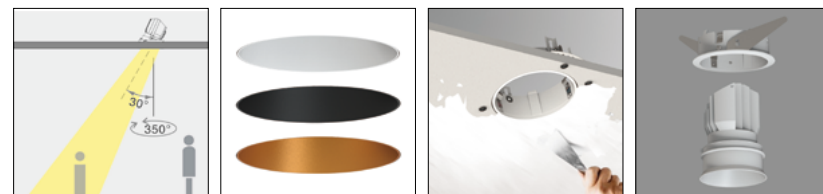
Description

CENTAURO recessed adjustable spot light can help you to project light onto objects accurately and highlight individual areas or objects. Benefit from its adjustable design, light can be cast to a greater distance.

Applications

Large architectrues, Hotels, Bars, Restaurants, Shopping centers, Retail stores, Showrooms, Galleries, Offices and Administration buildings.

Features



Standard configuration

COLOUR TEMPERATURE
2700K
3000K

CONTROL
NON-DIM

OPTICAL
15°/24°/38°/60°/15°x40°

COLOUR(housing)
White

COLOUR(reflector)
White

Extended configuration

COLOUR TEMPERATURE
4000K
5000K

CONTROL
DALI, PHASE, 1-10V

COLOUR(housing)
Black

COLOUR(reflector)
Black, Gold

Options on request

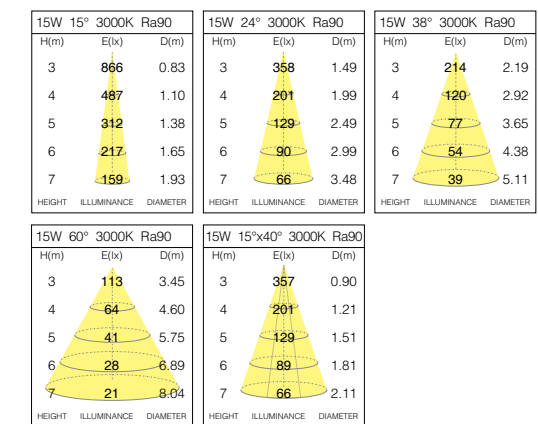
CONTROL
BLUETOOTH

Parameters

POWER	VF	CURRENT	CCT	LUMINOUS FLUX
8W	36V	200mA	2700K	637~792 lm
			3000K	658~812 lm
12W	36V	300mA	2700K	872~1010 lm
			3000K	910~1047 lm
15W	36V	350mA	2700K	985~1093 lm
			3000K	1005~1147 lm

Test standards: Citizen COB, CRI 90, tolerance range of electrical and optical parameters: ±10%.

Light Distribution

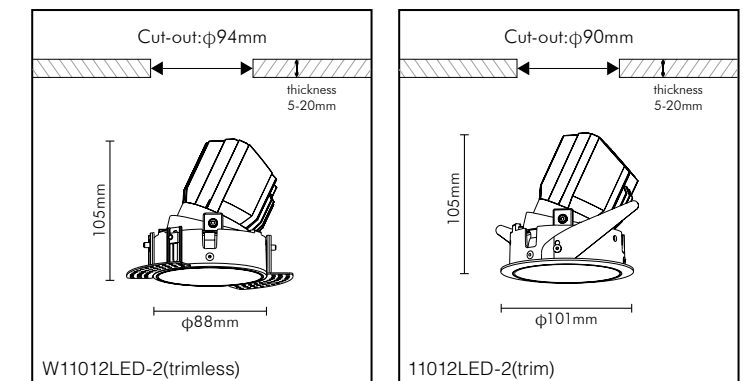


Light effect and planning aid



Emphasis of objects or architectural elements. Wide-beam illumination of larger objects or spatial zones.

Mounting dimension









Trim



Trimless





CENTAURO

Trimless W11361LED-2
Trim 11361LED-2



Quickinfo

GENERAL
Recessed
IP20

LED
CITIZEN
15W, 20W, 25W, 30W, 36W
2700K, 3000K, 4000K, 5000K
50000h@L80
CRI≥90
SDCM: 3

OPTICAL
Direct illumination
Beam angle
15°(exc.36W)/24°/38°/60°/
15°x40°(exc.36W)
Optical accessories

ELECTRICAL
NON-DIM,
PHASE,
1-10V,
DALI,
BLUETOOTH

PHYSICAL
Aluminum



Description

CENTAURO high power recessed downlight can provide you with higher brightness, meet the requirements of higher and larger space lighting, and provide more luminous flux.

Applications

Large architectrues, Hotels, Bars, Restaurants, Shopping centers, Retail stores, Showrooms, Galleries, Offices and Administration buildings.

Features



Standard configuration

COLOUR TEMPERATURE
2700K
3000K

CONTROL
NON-DIM

OPTICAL
15°(exc.36W)/24°/38°/60°/
15°x40°(exc.36W)

COLOUR(housing)
White

COLOUR(reflector)
White

Extended configuration

COLOUR TEMPERATURE
4000K
5000K

CONTROL
DALI, PHASE, 1-10V

COLOUR(housing)
Black

COLOUR(reflector)
Black, Gold

Options on request

CONTROL
BLUETOOTH

Parameters

POWER	VF	CURRENT	CCT	LUMINOUS FLUX
15W	36V	350mA	2700K	1029~1358 lm
			3000K	1064~1387 lm
20W	36V	500mA	2700K	1407~1839 lm
			3000K	1633~1880 lm
25W	36V	600mA	2700K	1654~2167 lm
			3000K	1883~2213 lm
30W	36V	700mA	2700K	1905~2421 lm
			3000K	2104~2517 lm
36W	36V	900mA	2700K	2277~2540 lm
			3000K	2522~2831 lm

Test standards:
Citizen COB, CRI 90, tolerance range of electrical and optical parameters: ±10%.

Light Distribution

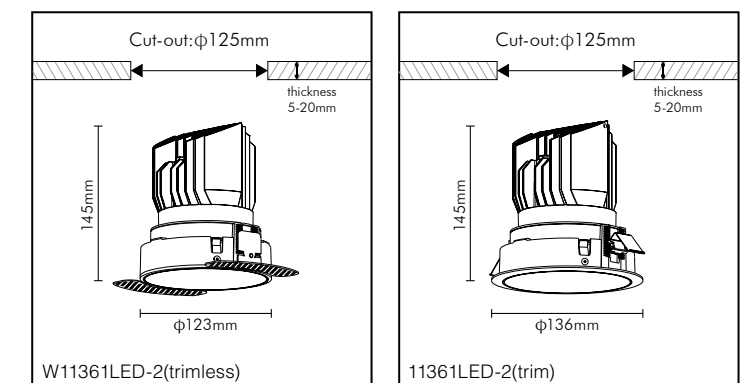
30W 24° 3000K Ra90			30W 38° 3000K Ra90			30W 60° 3000K Ra90			30W 15°x40° 3000K Ra90		
H(m)	E lx	D(m)	H(m)	E lx	D(m)	H(m)	E lx	D(m)	H(m)	E lx	D(m)
3	1023	1.24	3	547	2.01	3	259	3.61	3	797	0.89
4	576	1.65	4	308	2.67	4	145	4.82	4	448	1.18
5	368	2.07	5	197	3.34	5	93	6.02	5	287	1.48
6	256	2.48	6	137	4.01	6	65	7.23	6	199	1.77
7	188	2.89	7	100	4.68	7	48	8.43	7	146	2.07

Light effect and planning aid



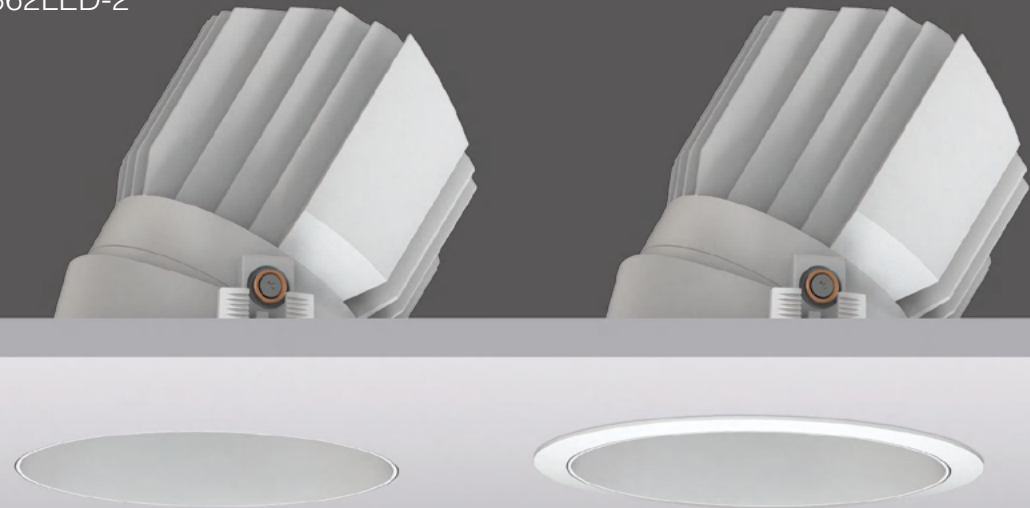
Emphasis of objects or architectural elements. Wide-beam illumination of larger objects or spatial zones.

Mounting dimension



CENTAURO

Trimless W11362LED-2
Trim 11362LED-2



Quickinfo

GENERAL

Recessed
IP20

LED

CITIZEN
15W, 20W, 25W, 30W, 36W
2700K, 3000K, 4000K, 5000K
50000h@L80
CRI≥90
SDCM: 3

OPTICAL

Direct illumination
Beam angle
15°(exc.36W)/24°/38°/60°/
15°x40°(exc.36W)
Optical accessories

ELECTRICAL

NON-DIM,
PHASE,
1-10V,
DALI,
BLUETOOTH

PHYSICAL

Aluminum



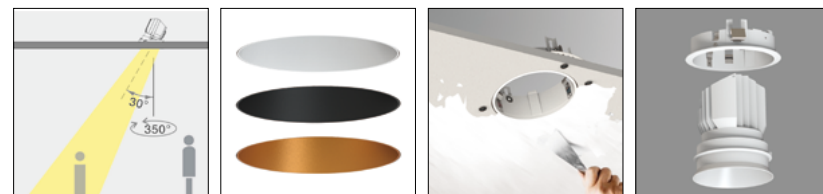
Description

CENTAURO high power recessed adjustable spotlight can help you project light to higher and larger objects, provide more luminous flux and project light to a longer distance.

Applications

Large architectrues, Hotels, Bars, Restaurants, Shopping centers, Retail stores, Showrooms, Galleries, Offices and Administration buildings.

Features



Standard configuration

COLOUR TEMPERATURE
2700K
3000K

CONTROL
NON-DIM

OPTICAL
15°(exc.36W)/24°/38°/60°/
15°x40°(exc.36W)

COLOUR(housing)
White

COLOUR(reflector)
White

Extended configuration

COLOUR TEMPERATURE
4000K
5000K

CONTROL
DALI, PHASE, 1-10V

COLOUR(housing)
Black

COLOUR(reflector)
Black, Gold

Options on request

CONTROL
BLUETOOTH

Parameters

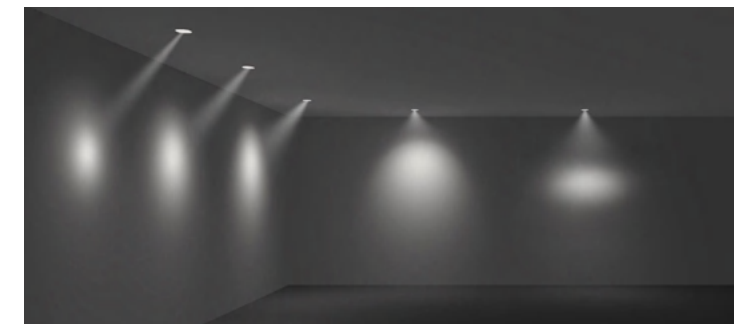
POWER	VF	CURRENT	CCT	LUMINOUS FLUX
15W	36V	350mA	2700K	1026~1358 lm
			3000K	1056~1387 lm
20W	36V	500mA	2700K	1544~1839 lm
			3000K	1617~1880 lm
25W	36V	600mA	2700K	1824~2167 lm
			3000K	1869~2213 lm
30W	36V	700mA	2700K	2083~2421 lm
			3000K	2099~2517 lm
36W	36V	900mA	2700K	2277~2540 lm
			3000K	2522~2831 lm

Test standards:
Citizen COB, CRI 90, tolerance range of electrical and optical parameters: ±10%.

Light Distribution

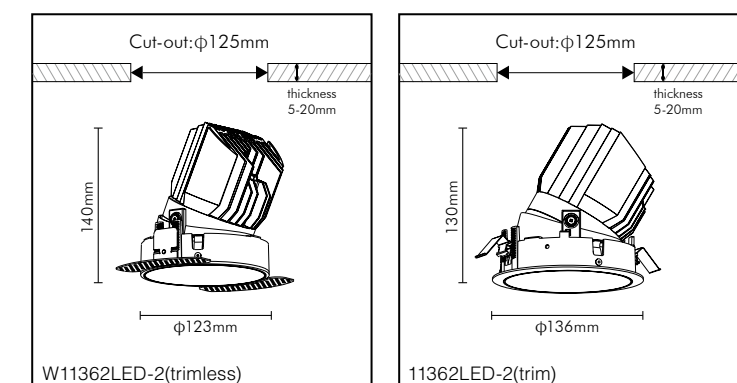
30W 24° 3000K Ra90			30W 38° 3000K Ra90			30W 60° 3000K Ra90			30W 15°x40° 3000K Ra90		
H(m)	E lx	D(m)	H(m)	E lx	D(m)	H(m)	E lx	D(m)	H(m)	E lx	D(m)
3	1012	1.24	3	547	1.99	3	249	3.62	3	797	0.89
4	569	1.65	4	308	2.66	4	140	4.82	4	448	1.18
5	364	2.06	5	197	3.32	5	90	6.03	5	287	1.48
6	253	2.47	6	137	3.99	6	62	7.23	6	199	1.77
7	186	2.88	7	101	4.65	7	46	8.44	7	146	2.07

Light effect and planning aid



Emphasis of objects or architectural elements. Wide-beam illumination of larger objects or spatial zones.

Mounting dimension









CENTAURO

Trimless W11014LED-2
Trim 11014LED-2



Quickinfo

GENERAL
Recessed
IP20

LED
CITIZEN
8W, 12W, 15W
2700K, 3000K, 4000K, 5000K
50000h@L80
CRI≥90
SDCM: 3

OPTICAL
Direct illumination
Beam angle 15°/24°/38°/60°
Optical accessories

ELECTRICAL
NON-DIM,
PHASE,
1-10V,
DALI,
BLUETOOTH

PHYSICAL
Aluminum



Description

CENTAURO recessed downlight unique square design makes the lamp and ceiling have a better integration, which can help you make excellent decoration design.

Applications

Large architectrues, Hotels, Bars, Restaurants, Shopping centers, Retail stores, Showrooms, Galleries, Offices and Administration buildings.

Features



Standard configuration

COLOUR TEMPERATURE
2700K
3000K

CONTROL
NON-DIM

OPTICAL
15°/24°/38°/60°

COLOUR(housing)
White

COLOUR(reflector)
White

Extended configuration

COLOUR TEMPERATURE
4000K
5000K

CONTROL
DALI, PHASE, 1-10V

COLOUR(housing)
Black

COLOUR(reflector)
Black, Gold

Options on request

CONTROL
BLUETOOTH

Parameters

POWER	VF	CURRENT	CCT	LUMINOUS FLUX
8W	36V	200mA	2700K	604~745 lm
			3000K	645~754 lm
12W	36V	300mA	2700K	846~947 lm
			3000K	903~986 lm
15W	36V	350mA	2700K	980~1098 lm
			3000K	985~1107 lm

Test standards:
Citizen COB, CRI 90, tolerance range of electrical and optical parameters: ±10%.

Light Distribution

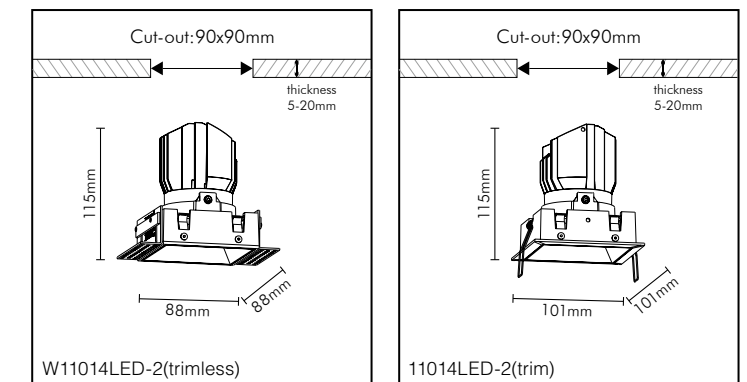
15W 15° 3000K Ra90			15W 24° 3000K Ra90			15W 38° 3000K Ra90			15W 60° 3000K Ra90		
H(m)	E(lx)	D(m)	H(m)	E(lx)	D(m)	H(m)	E(lx)	D(m)	H(m)	E(lx)	D(m)
3	885	0.83	3	363	1.50	3	218	2.21	3	155	3.42
4	498	1.10	4	204	2.00	4	123	2.94	4	64	4.56
5	319	1.37	5	131	2.50	5	78	3.68	5	41	5.70
6	221	1.65	6	91	3.00	6	55	4.41	6	29	6.84
7	163	1.92	7	67	3.50	7	40	5.15	7	21	7.99

Light effect and planning aid



Emphasis of objects or architectural elements. Wide-beam illumination of larger objects or spatial zones.

Mounting dimension



CENTAURO

Trimless W11015LED-2
Trim 11015LED-2



Quickinfo

GENERAL
Recessed
IP20

LED
CITIZEN
8W, 12W, 15W
2700K, 3000K, 4000K, 5000K
50000h@L80
CRI≥90
SDCM: 3

OPTICAL
Direct illumination
Beam angle 15°/24°/38°/60°
Optical accessories

ELECTRICAL
NON-DIM,
PHASE,
1-10V,
DALI,
BLUETOOTH

PHYSICAL
Aluminum



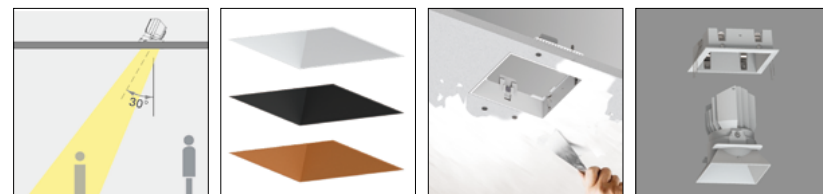
Description

CENTAURO recessed downlight unique square design makes the lamp and ceiling have a better integration, which can help you accurately project light onto objects, highlighting individual areas or objects.

Applications

Large architectures, Hotels, Bars, Restaurants, Shopping centers, Retail stores, Showrooms, Galleries, Offices and Administration buildings.

Features



Standard configuration

COLOUR TEMPERATURE
2700K
3000K

CONTROL
NON-DIM

OPTICAL
15°/24°/38°/60°

COLOUR(housing)
White

COLOUR(reflector)
White

Extended configuration

COLOUR TEMPERATURE
4000K
5000K

CONTROL
DALI, PHASE, 1-10V

COLOUR(housing)
Black

COLOUR(reflector)
Black, Gold

Options on request

CONTROL
BLUETOOTH

Parameters

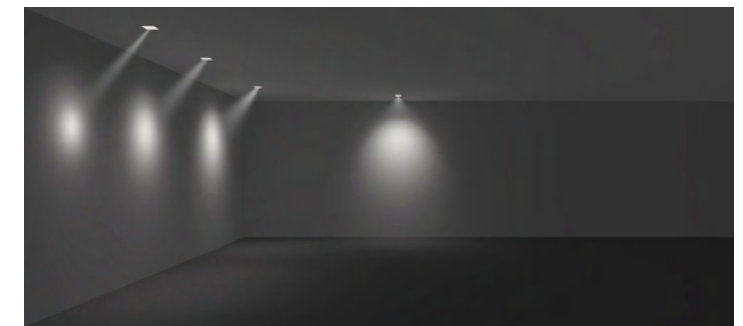
POWER	VF	CURRENT	CCT	LUMINOUS FLUX
8W	36V	200mA	2700K	587~663 lm
			3000K	654~756 lm
12W	36V	300mA	2700K	831~942 lm
			3000K	904~991 lm
15W	36V	350mA	2700K	968~1099 lm
			3000K	1018~1111 lm

Test standards:
Citizen COB, CRI 90, tolerance range of electrical and optical parameters: ±10%.

Light Distribution

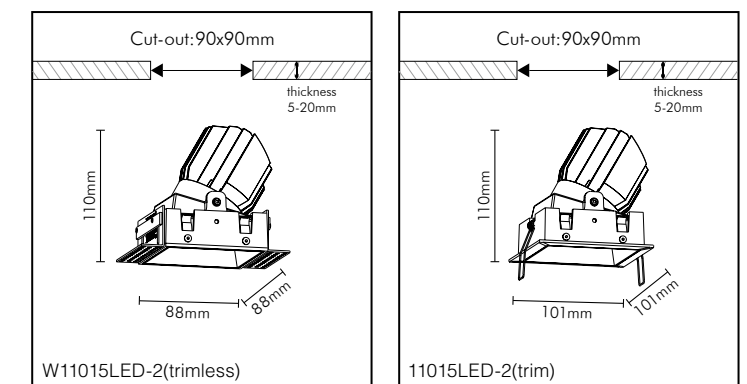
15W 15° 3000K Ra90			15W 24° 3000K Ra90			15W 38° 3000K Ra90			15W 60° 3000K Ra90		
H(m)	E(lx)	D(m)	H(m)	E(lx)	D(m)	H(m)	E(lx)	D(m)	H(m)	E(lx)	D(m)
3	880	0.83	3	362	1.49	3	213	2.21	3	115	3.45
4	495	1.10	4	204	1.99	4	120	2.94	4	65	4.61
5	317	1.38	5	130	2.49	5	77	3.68	5	42	5.76
6	220	1.65	6	91	2.99	6	53	4.42	6	29	6.91
7	162	1.93	7	67	3.49	7	39	5.15	7	21	8.06

Light effect and planning aid



Emphasis of objects or architectural elements. Wide-beam illumination of larger objects or spatial zones.

Mounting dimension









Trim

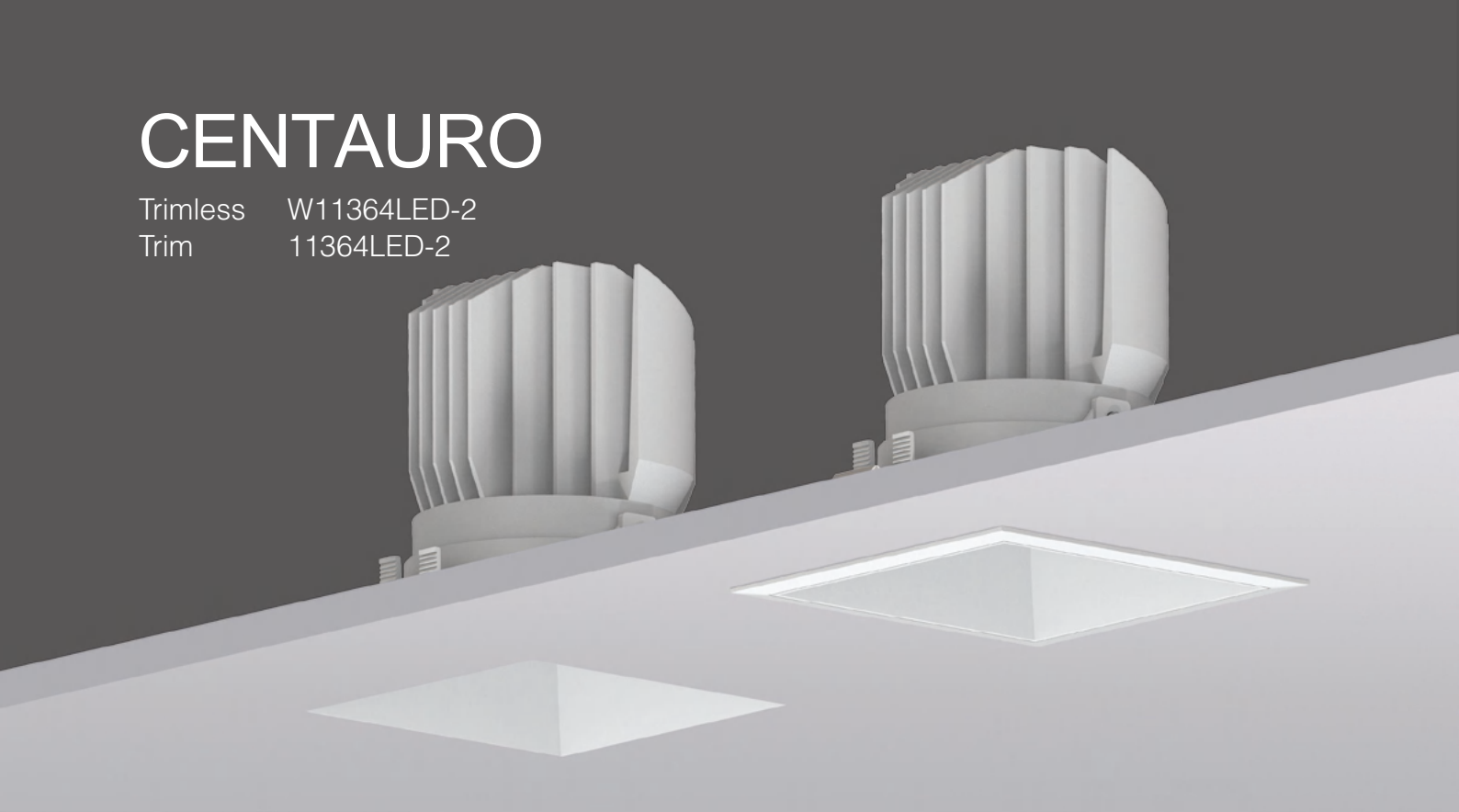


Trimless



CENTAURO

Trimless W11364LED-2
Trim 11364LED-2



Standard configuration

COLOUR TEMPERATURE
2700K
3000K
CONTROL
NON-DIM
OPTICAL
15°(exc.36W)/24°/38°/60°
COLOUR(housing)
White
COLOUR(reflector)
White

Parameters

POWER	VF	CURRENT	CCT	LUMINOUS FLUX
15W	36V	350mA	2700K	1024~1147 lm
			3000K	1064~1163 lm
20W	36V	500mA	2700K	1497~1557 lm
			3000K	1634~1792 lm
25W	36V	600mA	2700K	1765~1834 lm
			3000K	1892~2067 lm
30W	36V	700mA	2700K	2033~2110 lm
			3000K	2113~2296 lm
36W	36V	900mA	2700K	2476~2801 lm
			3000K	2524~2830 lm

Test standards:
Citizen COB, CRI 90, tolerance range of electrical and optical parameters: ±10%.

Extended configuration

COLOUR TEMPERATURE
4000K
5000K
CONTROL
DALI, PHASE, 1-10V
COLOUR(housing)
Black
COLOUR(reflector)
Black, Gold
Options on request
CONTROL
BLUETOOTH

Light Distribution

30W 15° 3000K Ra90			30W 24° 3000K Ra90			30W 38° 3000K Ra90			30W 60° 3000K Ra90		
H(m)	E(lx)	D(m)	H(m)	E(lx)	D(m)	H(m)	E(lx)	D(m)	H(m)	E(lx)	D(m)
4	1009	1.18	4	573	1.66	4	312	2.67	4	142	4.83
5	646	1.47	5	367	2.07	5	200	3.34	5	91	6.03
6	449	1.76	6	255	2.48	6	139	4.00	6	63	7.24
7	330	2.06	7	187	2.90	7	102	4.67	7	47	8.44
8	252	2.35	8	143	3.31	8	78	5.34	8	36	9.65

Quickinfo

GENERAL
Recessed
IP20

LED
CITIZEN
15W, 20W, 25W, 30W, 36W
2700K, 3000K, 4000K, 5000K
50000h@L80
CRI≥90
SDCM: 3

OPTICAL
Direct illumination
Beam angle
15°(exc.36W)/24°/38°/60°
Optical accessories

ELECTRICAL
NON-DIM,
PHASE,
1-10V,
DALI,
BLUETOOTH

PHYSICAL
Aluminum



Description

CENTAURO high power recessed downlight provides you with higher brightness. Its square design makes your design have more outstanding performance.

Applications

Large architectrues, Hotels, Bars, Restaurants, Shopping centers, Retail stores, Showrooms, Galleries, Offices and Administration buildings.

Features

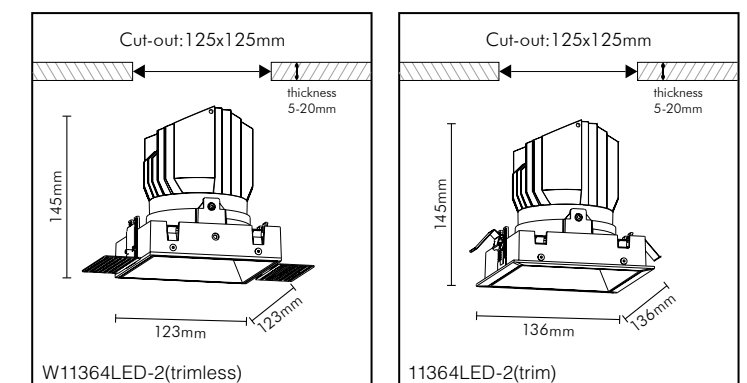


Light effect and planning aid



Emphasis of objects or architectural elements. Wide-beam illumination of larger objects or spatial zones.

Mounting dimension



CENTAURO

Trimless W11365LED-2
Trim 11365LED-2



Quickinfo

GENERAL
Recessed
IP20

LED
CITIZEN
15W, 20W, 25W, 30W, 36W
2700K, 3000K, 4000K, 5000K
50000h@L80
CRI≥90
SDCM: 3

OPTICAL
Direct illumination
Beam angle
15°(exc.36W)/24°/38°/60°
Optical accessories

ELECTRICAL
NON-DIM,
PHASE,
1-10V,
DALI,
BLUETOOTH

PHYSICAL
Aluminum



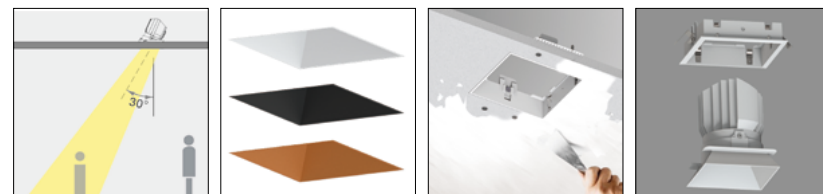
Description

CENTAURO high power recessed adjustable spotlight unique square design makes the lamp and ceiling have a better integration, which can provide more luminous flux and project light to a longer distance.

Applications

Large architectrues, Hotels, Bars, Restaurants, Shopping centers, Retail stores, Showrooms, Galleries, Offices and Administration buildings.

Features



Standard configuration

COLOUR TEMPERATURE
2700K
3000K

CONTROL
NON-DIM

OPTICAL
15°(exc.36W)/24°/38°/60°

COLOUR(housing)
White

COLOUR(reflector)
White

Extended configuration

COLOUR TEMPERATURE
4000K
5000K

CONTROL
DALI, PHASE, 1-10V

COLOUR(housing)
Black

COLOUR(reflector)
Black, Gold

Options on request

CONTROL
BLUETOOTH

Parameters

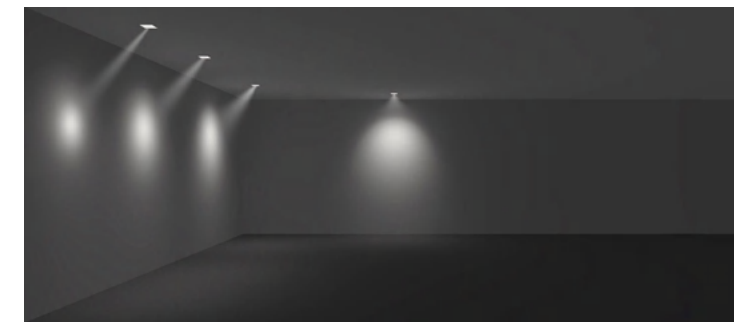
POWER	VF	CURRENT	CCT	LUMINOUS FLUX
15W	36V	350mA	2700K	1047~1138 lm
			3000K	1062~1165 lm
20W	36V	500mA	2700K	1388~1516 lm
			3000K	1654~1772 lm
25W	36V	600mA	2700K	1640~806 lm
			3000K	1883~2043 lm
30W	36V	700mA	2700K	1879~2058 lm
			3000K	2093~2292 lm
36W	36V	900mA	2700K	2411~2759 lm
			3000K	2524~2830 lm

Test standards:
Citizen COB, CRI 90, tolerance range of electrical and optical parameters: ±10%.

Light Distribution

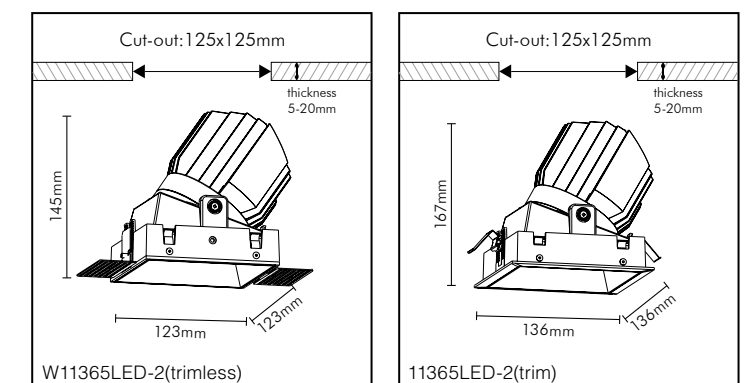
30W 15° 3000K Ra90	30W 24° 3000K Ra90	30W 38° 3000K Ra90	30W 60° 3000K Ra90								
H(m)	E(lx)	D(m)	H(m)	E(lx)	D(m)	H(m)	E(lx)	D(m)	H(m)	E(lx)	D(m)
4	998	1.18	4	576	1.65	4	301	2.65	4	141	4.83
5	639	1.47	5	369	2.06	5	193	3.32	5	90	6.03
6	443	1.77	6	256	2.48	6	134	3.98	6	63	7.24
7	326	2.06	7	188	2.89	7	98	4.64	7	46	8.45
8	249	2.35	8	144	3.30	8	75	5.30	8	35	9.65

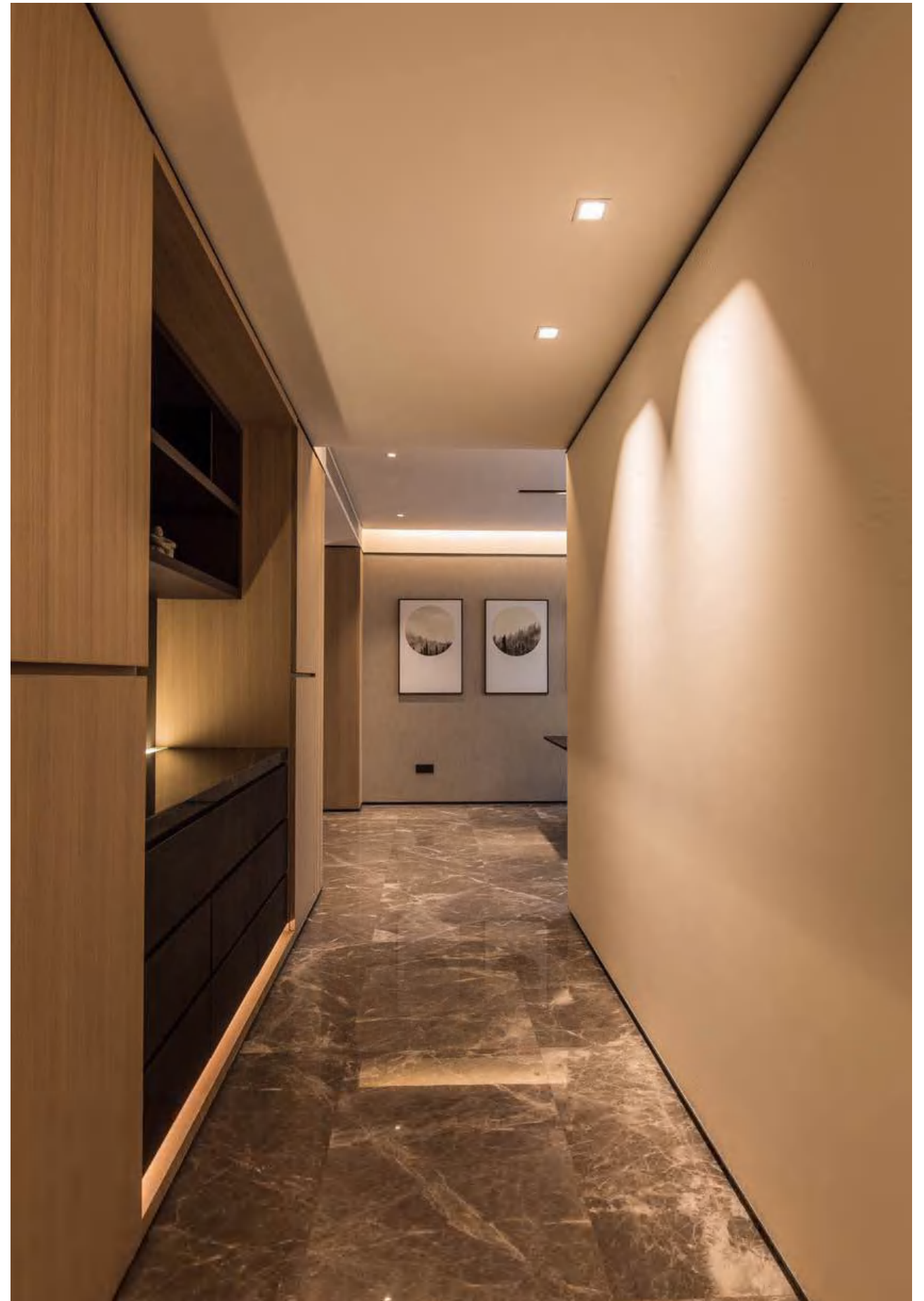
Light effect and planning aid



Emphasis of objects or architectural elements. Wide-beam illumination of larger objects or spatial zones.

Mounting dimension





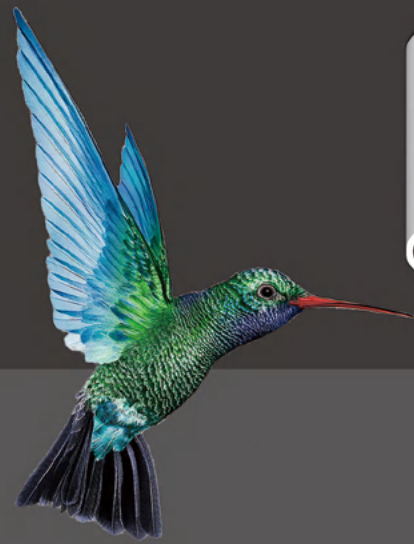




CENTAURO

Surface mounted & Pendant

- The housing is independent integrated radiator, which is made of aluminum.
- Optical design of the combination of lens and material, the light passes softly.
- Deep anti-glare design makes the light environment comfortable.
- COB chip technology with maximum efficiency is adopted to greatly improve optical efficiency.
- No tool disassembly and installation, no exposed screw design makes the appearance beautiful and gorgeous.
- Including two concise designs of round and square.



CENTAURO

Surface mounted 8901LED
Pendant 5901LED



Standard configuration

COLOUR TEMPERATURE
2700K
3000K

CONTROL
NON-DIM

OPTICAL
24°/38°/60°

COLOUR(housing)
White

COLOUR(reflector)
Black

Extended configuration

COLOUR TEMPERATURE
4000K
5000K

CONTROL
PHASE

OPTICAL
15°

COLOUR(housing)
Black

COLOUR(reflector)
White, Gold

Parameters

POWER	VF	CURRENT	CCT	LUMINOUS FLUX
8W	36V	200mA	2700K 3000K	572~648 lm 576~660 lm
12W	36V	300mA	2700K 3000K	801~973 lm 829~1010 lm
15W	36V	350mA	2700K 3000K	868~1081 lm 900~1101 lm

Test standards:
Citizen COB, CRI 90, tolerance range of electrical and optical parameters: ±10%.

Light Distribution

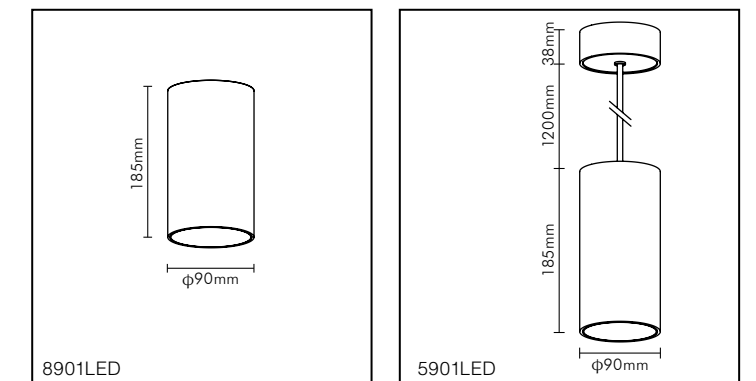
15W 15° 3000K Ra90			15W 24° 3000K Ra90			15W 38° 3000K Ra90			15W 60° 3000K Ra90		
H(m)	E(lx)	D(m)	H(m)	E(lx)	D(m)	H(m)	E(lx)	D(m)	H(m)	E(lx)	D(m)
3	460	1.10	3	395	1.46	3	228	2.12	3	117	3.42
4	258	1.47	4	222	1.94	4	128	2.82	4	66	4.56
5	165	1.83	5	142	2.43	5	82	3.52	5	42	5.70
6	115	2.20	6	99	2.91	6	57	4.23	6	29	6.84
7	84	2.57	7	73	3.40	7	42	4.93	7	22	7.98

Light effect and planning aid



Emphasis of objects or architectural elements. Wide-beam illumination of larger objects or spatial zones.

Mounting dimension



Quickinfo

GENERAL
Surface mounted / Pendant
IP20

LED
CITIZEN
8W,12W,15W
2700K, 3000K, 4000K, 5000K
50000h@L80
CRI≥90
SDCM: 3

OPTICAL
Direct illumination
Beam angle 15°/24°/38°/60°
Optical accessories

ELECTRICAL
NON-DIM,
PHASE

PHYSICAL
Aluminum



Description

Surface mounted / pendant spotlight can help you to solve the installation problems, surface mounted can avoid the trouble of opening holes.

Applications

Hotels, Shopping malls, Restaurants, Bars, Villas, etc.

Features



CENTAURO

Surface mounted 8906LED
Pendant 5906LED



Standard configuration

COLOUR TEMPERATURE
2700K
3000K

CONTROL
NON-DIM

OPTICAL
24°/38°/60°

COLOUR(housing)
White

COLOUR(reflector)
Black

Parameters

POWER	VF	CURRENT	CCT	LUMINOUS FLUX
10W	36V	250mA	2700K 3000K	686~824 lm 699~853 lm

Test standards:
Citizen COB, CRI 90, tolerance range of electrical and optical parameters: ±10%.

Light Distribution

10W 24° 3000K Ra90			10W 38° 3000K Ra90			10W 60° 3000K Ra90		
H(m)	E(lx)	D(m)	H(m)	E(lx)	D(m)	H(m)	E(lx)	D(m)
1	2853	0.49	1	1616	0.70	1	863	1.08
2	713	0.98	2	404	1.40	2	216	2.15
3	317	1.47	3	180	2.10	3	96	3.23
4	178	1.96	4	101	2.79	4	54	4.30
5	114	2.45	5	65	3.49	5	35	5.37

Extended configuration

COLOUR TEMPERATURE
4000K
5000K

CONTROL
PHASE

OPTICAL
15°

COLOUR(housing)
Black

COLOUR(reflector)
White, Gold

Options on request

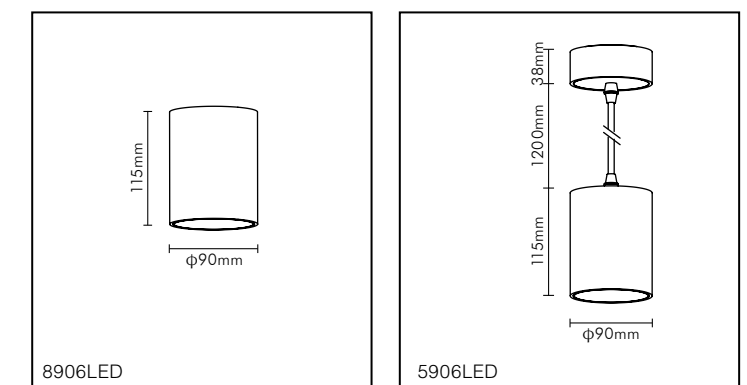
Surface mounted
IP65(8W)

Light effect and planning aid



Emphasis of objects or architectural elements. Wide-beam illumination of larger objects or spatial zones.

Mounting dimension



Quickinfo

GENERAL
Surface mounted / Pendant
IP20

LED
CITIZEN
10W
2700K, 3000K, 4000K, 5000K
50000h@L80
CRI≥90
SDCM: 3

OPTICAL
Direct illumination
Beam angle 15°/24°/38°/60°
Optical accessories

ELECTRICAL
NON-DIM,
PHASE

PHYSICAL
Aluminum



Description

Surface mounted / pendant spotlight can help you to solve the installation problems, surface mounted can avoid the trouble of opening holes.

Applications

Hotels, Shopping malls, Restaurants, Bars, Villas, etc.

Features





CENTAURO

Surface mounted 81241LED
Pendant 51241LED



Standard configuration

COLOUR TEMPERATURE
2700K
3000K

CONTROL
NON-DIM

OPTICAL
15°/24°/38°/60°

COLOUR(housing)
White

COLOUR(reflector)
Black

Extended configuration

COLOUR TEMPERATURE
4000K
5000K

CONTROL
PHASE

COLOUR(housing)
Black

COLOUR(reflector)
White, Gold

Parameters

POWER	VF	CURRENT	CCT	LUMINOUS FLUX
15W	36V	350mA	2700K	1035~1122 lm
			3000K	1072~1151 lm
20W	36V	500mA	2700K	1473~1544 lm
			3000K	1551~1719 lm
25W	36V	600mA	2700K	1689~1821 lm
			3000K	1762~1972 lm

Test standards:
Citizen COB, CRI 90, tolerance range of electrical and optical parameters: ±10%.

Light Distribution

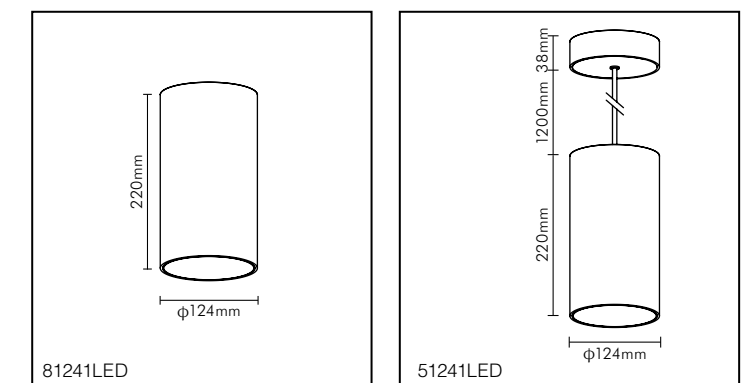
25W 15° 3000K Ra90			25W 24° 3000K Ra90			25W 38° 3000K Ra90			25W 60° 3000K Ra90		
H(m)	E(lx)	D(m)	H(m)	E(lx)	D(m)	H(m)	E(lx)	D(m)	H(m)	E(lx)	D(m)
3	1584	0.90	3	894	1.28	3	433	2.11	3	220	3.65
4	891	1.20	4	503	1.70	4	244	2.81	4	124	4.87
5	570	1.50	5	322	2.12	5	156	3.52	5	79	6.08
6	396	1.80	6	224	2.56	6	108	4.22	6	55	7.30
7	291	2.10	7	164	2.98	7	80	4.92	7	40	8.52

Light effect and planning aid



Emphasis of objects or architectural elements. Wide-beam illumination of larger objects or spatial zones.

Mounting dimension



Quickinfo

GENERAL
Surface mounted / Pendant
IP20

LED
CITIZEN
15W,20W,25W
2700K, 3000K, 4000K, 5000K
50000h@L80
CRI≥90
SDCM: 3

OPTICAL
Direct illumination
Beam angle 15°/24°/38°/60°
Optical accessories

ELECTRICAL
NON-DIM,
PHASE

PHYSICAL
Aluminum



Description

High power surface mounted / pendant spotlight can help you to solve the installation problems. It can provide you with higher brightness, meet the requirements of higher and larger space lighting, and provide more luminous flux.

Applications

Hotels, Shopping malls, Restaurants, Bars, Villas, etc.

Features



CENTAURO

Surface mounted 81243LED
Pendant 51243LED



Standard configuration

COLOUR TEMPERATURE
2700K
3000K

CONTROL
NON-DIM

OPTICAL
15°/24°/38°/60°

COLOUR(housing)
White

COLOUR(reflector)
Black

Parameters

POWER	VF	CURRENT	CCT	LUMINOUS FLUX
15W	36V	350mA	2700K 3000K	1035~1122 lm 1072~1151 lm

Test standards:
Citizen COB, CRI 90, tolerance range of electrical and optical parameters: ±10%.

Light Distribution

15W 15° 3000K Ra90			15W 24° 3000K Ra90			15W 38° 3000K Ra90			15W 60° 3000K Ra90		
H(m)	E(lx)	D(m)	H(m)	E(lx)	D(m)	H(m)	E(lx)	D(m)	H(m)	E(lx)	D(m)
3	1100	0.80	3	563	1.23	3	245	2.17	3	140	3.40
4	619	1.07	4	317	1.64	4	138	2.90	4	79	4.54
5	396	1.34	5	203	2.05	5	88	3.62	5	50	5.67
6	275	1.61	6	141	2.47	6	61	4.35	6	35	6.81
7	202	1.87	7	103	2.88	7	45	5.07	7	26	7.94

Extended configuration

COLOUR TEMPERATURE
4000K
5000K

CONTROL
PHASE

COLOUR(housing)
Black

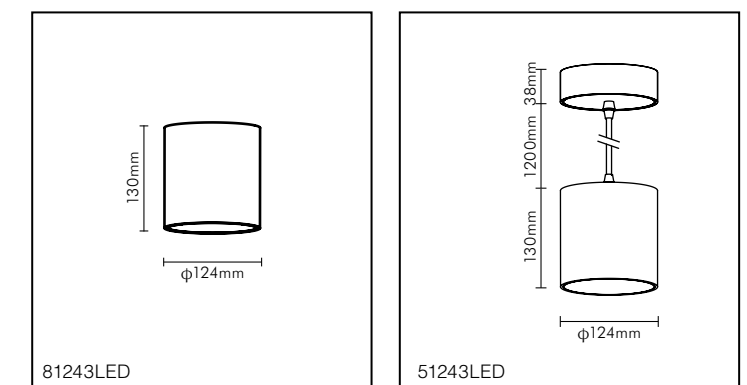
COLOUR(reflector)
White, Gold

Light effect and planning aid



Emphasis of objects or architectural elements. Wide-beam illumination of larger objects or spatial zones.

Mounting dimension



Quickinfo

GENERAL
Surface mounted / Pendant
IP20

LED
CITIZEN
15W
2700K, 3000K, 4000K, 5000K
50000h@L80
CRI≥90
SDCM: 3

OPTICAL
Direct illumination
Beam angle 15°/24°/38°/60°
Optical accessories

ELECTRICAL
NON-DIM,
PHASE

PHYSICAL
Aluminum



Description

Surface mounted / pendant spotlight can help you to solve the installation problems. It can provide you with higher brightness, meet the requirements of higher and larger space lighting, and provide more luminous flux.

Applications

Hotels, Shopping malls, Restaurants, Bars, Villas, etc.

Features





蘇州市志

蘇州市志

蘇州市志

蘇州市志

圖書信閱室

蘇州市圖書館



《曼曼婷婷》作者:刘勇

《沙漠之心》作者:张新伟

《小世界》作者:王磊

《网罗》作者:王磊

《网罗》作者:王磊

《网罗》作者:王磊

《追风》作者:张园才

《网罗》作者:王磊

《多情的沙漠》作者:张新伟

《丝之韵》作者:沈磊其

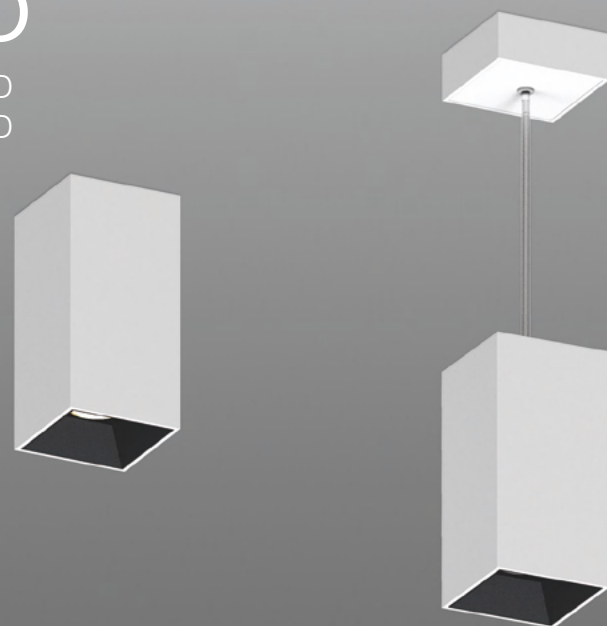
cloakroom
存包处

intertextile
7.24
7.24



CENTAURO

Surface mounted 8902LED
Pendant 5902LED



Quickinfo

GENERAL
Surface mounted / Pendant
IP20

LED
CITIZEN
8W, 12W, 15W
2700K, 3000K, 4000K, 5000K
50000h@L80
CRI≥90
SDCM: 3

OPTICAL
Direct illumination
Beam angle 15°/24°/38°/60°
Optical accessories

ELECTRICAL
NON-DIM,
PHASE

PHYSICAL
Aluminum



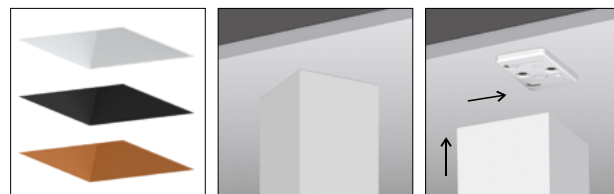
Description

Surface mounted / pendant spot light can help you to solve the installation problems, surface mounted can avoid the trouble of opening holes.

Applications

Hotels, Shopping malls, Restaurants, Bars, Villas, etc.

Features



Standard configuration

COLOUR TEMPERATURE
2700K
3000K

CONTROL
NON-DIM

OPTICAL
24°/38°/60°

COLOUR(housing)
White

COLOUR(reflector)
Black

Extended configuration

COLOUR TEMPERATURE
4000K
5000K

CONTROL
PHASE

OPTICAL
15°

COLOUR(housing)
Black

COLOUR(reflector)
White, Gold

Parameters

POWER	VF	CURRENT	CCT	LUMINOUS FLUX
8W	36V	200mA	2700K	572~648 lm
			3000K	576~660 lm
12W	36V	300mA	2700K	801~973 lm
			3000K	829~1010 lm
15W	36V	350mA	2700K	868~1081 lm
			3000K	900~1101 lm

Test standards:
Citizen COB, CRI 90, tolerance range of electrical and optical parameters: ±10%.

Light Distribution

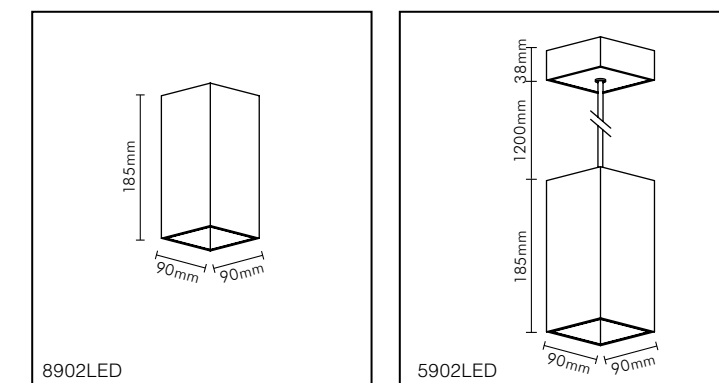
15W 15° 3000K Ra90	15W 24° 3000K Ra90	15W 38° 3000K Ra90	15W 60° 3000K Ra90								
H(m)	E(lx)	D(m)	H(m)	E(lx)	D(m)	H(m)	E(lx)	D(m)	H(m)	E(lx)	D(m)
3	460	1.10	3	395	1.46	3	228	2.12	3	117	3.42
4	258	1.47	4	222	1.94	4	128	2.82	4	66	4.56
5	165	1.83	5	142	2.43	5	82	3.52	5	42	5.70
6	115	2.20	6	99	2.91	6	57	4.23	6	29	6.84
7	84	2.57	7	73	3.40	7	42	4.93	7	22	7.98

Light effect and planning aid



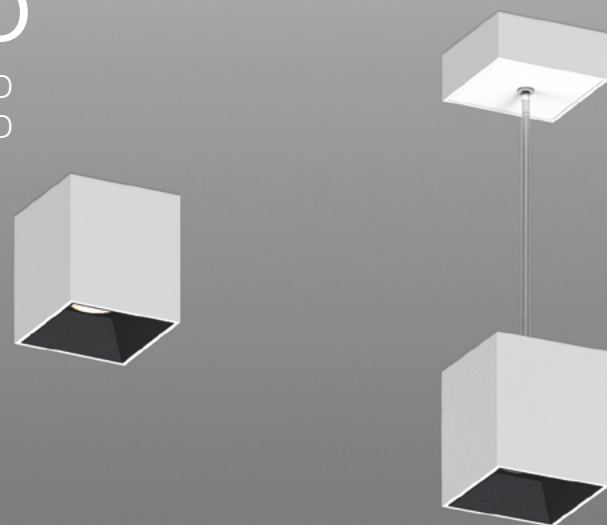
Emphasis of objects or architectural elements. Wide-beam illumination of larger objects or spatial zones.

Mounting dimension



CENTAURO

Surface mounted 8905LED
Pendant 5905LED



Standard configuration

COLOUR TEMPERATURE
2700K
3000K

CONTROL
NON-DIM

OPTICAL
24°/38°/60°

COLOUR(housing)
White

COLOUR(reflector)
Black

Parameters

POWER	VF	CURRENT	CCT	LUMINOUS FLUX
10W	36V	250mA	2700K 3000K	686~824 lm 699~853 lm

Test standards:
Citizen COB, CRI 90, tolerance range of electrical and optical parameters: ±10%.

Light Distribution

10W 24° 3000K Ra90			10W 38° 3000K Ra90			10W 60° 3000K Ra90		
H(m)	E(lx)	D(m)	H(m)	E(lx)	D(m)	H(m)	E(lx)	D(m)
1	2853	0.49	1	1616	0.70	1	863	1.08
2	713	0.98	2	404	1.40	2	216	2.15
3	317	1.47	3	180	2.10	3	96	3.23
4	178	1.96	4	101	2.79	4	54	4.30
5	114	2.45	5	65	3.49	5	35	5.37

Extended configuration

COLOUR TEMPERATURE
4000K
5000K

CONTROL
PHASE

OPTICAL
15°

COLOUR(housing)
Black

COLOUR(reflector)
White, Gold

Options on request

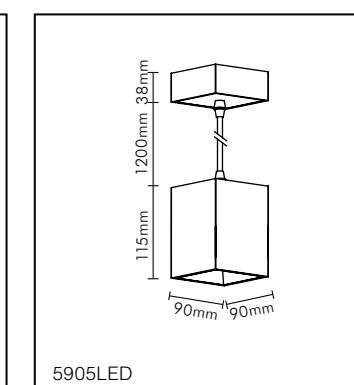
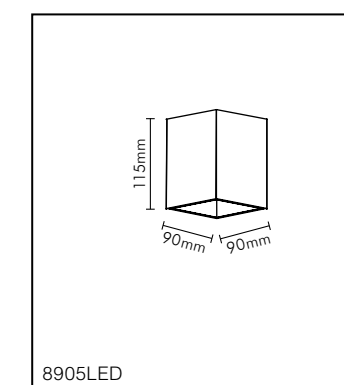
Surface mounted
IP65(8W)

Light effect and planning aid



Emphasis of objects or architectural elements. Wide-beam illumination of larger objects or spatial zones.

Mounting dimension



Quickinfo

GENERAL
Surface mounted / Pendant
IP20

LED
CITIZEN
10W
2700K, 3000K, 4000K, 5000K
50000h@L80
CRI≥90
SDCM: 3

OPTICAL
Direct illumination
Beam angle 15°/24°/38°/60°
Optical accessories

ELECTRICAL
NON-DIM,
PHASE

PHYSICAL
Aluminum



Description

Surface mounted/pendant spotlights install on the surface of ceiling can help you to solve the installation problems. Small and exquisite square design makes the space more beautiful.

Applications

Hotels, Shopping malls, Restaurants, Bars, Villas, etc.

Features





CENTAURO

Surface mounted 81242LED
Pendant 51242LED



Standard configuration

COLOUR TEMPERATURE
2700K
3000K

CONTROL
NON-DIM

OPTICAL
15°/24°/38°/60°

COLOUR(housing)
White

COLOUR(reflector)
Black

Extended configuration

COLOUR TEMPERATURE
4000K
5000K

CONTROL
PHASE

COLOUR(housing)
Black

COLOUR(reflector)
White, Gold

Parameters

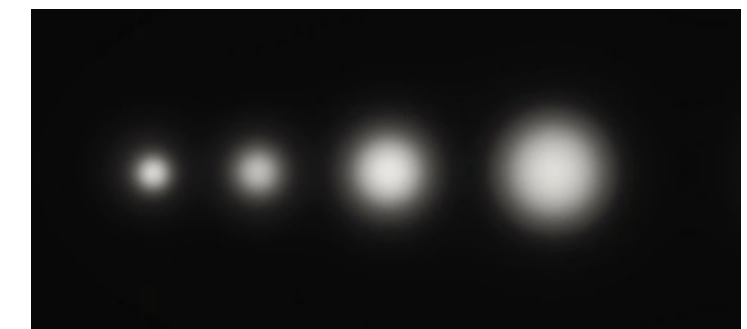
POWER	VF	CURRENT	CCT	LUMINOUS FLUX
15W	36V	350mA	2700K	1035~1122 lm
			3000K	1072~1151 lm
20W	36V	500mA	2700K	1473~1544 lm
			3000K	1551~1719 lm
25W	36V	600mA	2700K	1689~1821 lm
			3000K	1762~1972 lm

Test standards:
Citizen COB, CRI 90, tolerance range of electrical and optical parameters: ±10%.

Light Distribution

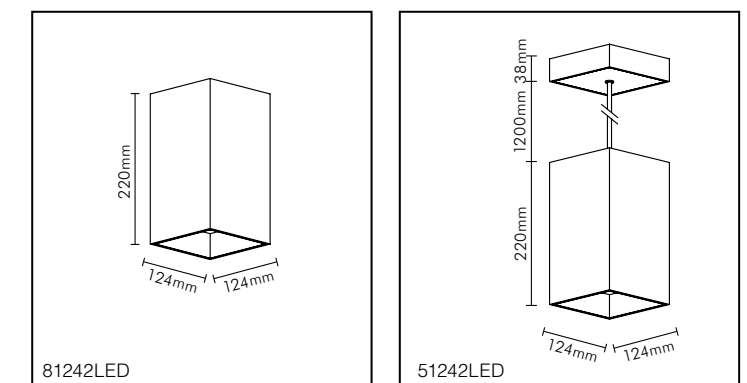
25W 15° 3000K Ra90			25W 24° 3000K Ra90			25W 38° 3000K Ra90			25W 60° 3000K Ra90		
H(m)	E(lx)	D(m)	H(m)	E(lx)	D(m)	H(m)	E(lx)	D(m)	H(m)	E(lx)	D(m)
3	1584	0.90	3	894	1.28	3	433	2.11	3	220	3.65
4	891	1.20	4	503	1.70	4	244	2.81	4	124	4.87
5	570	1.50	5	322	2.12	5	156	3.52	5	79	6.08
6	396	1.80	6	224	2.56	6	108	4.22	6	55	7.30
7	291	2.10	7	164	2.98	7	80	4.92	7	40	8.52

Light effect and planning aid



Emphasis of objects or architectural elements. Wide-beam illumination of larger objects or spatial zones.

Mounting dimension



Quickinfo

GENERAL
Surface mounted / Pendant
IP20

LED
CITIZEN
15W,20W,25W
2700K, 3000K, 4000K, 5000K
50000h@L80
CRI≥90
SDCM: 3

OPTICAL
Direct illumination
Beam angle 15°/24°/38°/60°
Optical accessories

ELECTRICAL
NON-DIM,
PHASE

PHYSICAL
Aluminum



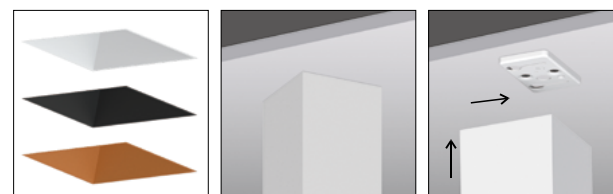
Description

High power surface mounted / pendant spotlight's square shape and ceiling mounted design can provide you with higher brightness, meet the requirements of higher and larger space lighting, and provide more luminous flux.

Applications

Hotels, Shopping malls, Restaurants, Bars, Villas, etc.

Features



CENTAURO

Surface mounted 81244LED
Pendant 51244LED



Standard configuration

COLOUR TEMPERATURE
2700K
3000K

CONTROL
NON-DIM

OPTICAL
15°/24°/38°/60°

COLOUR(housing)
White

COLOUR(reflector)
Black

Parameters

POWER	Vf	CURRENT	CCT	LUMINOUS FLUX
15W	36V	350mA	2700K 3000K	1035~1122 lm 1072~1151 lm

Test standards:
Citizen COB, CRI 90, tolerance range of electrical and optical parameters: ±10%.

Light Distribution

15W 15° 3000K Ra90			15W 24° 3000K Ra90			15W 38° 3000K Ra90			15W 60° 3000K Ra90		
H(m)	E(lx)	D(m)	H(m)	E(lx)	D(m)	H(m)	E(lx)	D(m)	H(m)	E(lx)	D(m)
3	1100	0.80	3	563	1.23	3	245	2.17	3	140	3.40
4	619	1.07	4	317	1.64	4	138	2.90	4	79	4.54
5	396	1.34	5	203	2.05	5	88	3.62	5	50	5.67
6	275	1.61	6	141	2.47	6	61	4.35	6	35	6.81
7	202	1.87	7	103	2.88	7	45	5.07	7	26	7.94

Extended configuration

COLOUR TEMPERATURE
4000K
5000K

CONTROL
PHASE

COLOUR(housing)
Black

COLOUR(reflector)
White, Gold

Options on request

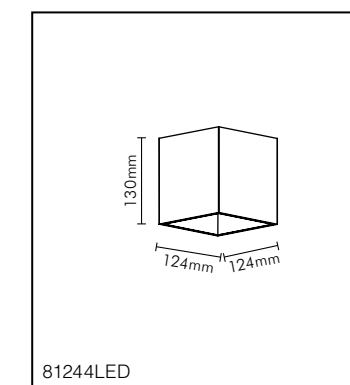
Surface mounted
IP65

Light effect and planning aid

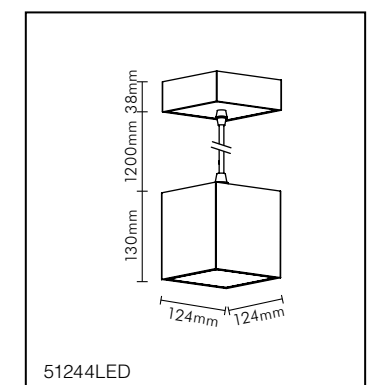


Emphasis of objects or architectural elements. Wide-beam illumination of larger objects or spatial zones.

Mounting dimension



81244LED



51244LED

Quickinfo

GENERAL
Surface mounted / Pendant
IP20

LED
CITIZEN
15W
2700K, 3000K, 4000K, 5000K
50000h@L80
CRI≥90
SDCM: 3

OPTICAL
Direct illumination
Beam angle 15°/24°/38°/60°
Optical accessories

ELECTRICAL
NON-DIM,
PHASE

PHYSICAL
Aluminum



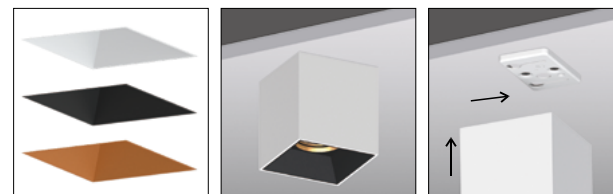
Description

Surface mounted / pendant spotlight's square shape and ceiling mounted design can provide you with higher brightness, meet the requirements of higher and larger space lighting, and provide more luminous flux.

Applications

Hotels, Shopping malls, Restaurants, Bars, Villas, etc.

Features





IP65



CENTAURO

89010LED



Standard configuration

COLOUR TEMPERATURE
2700K
3000K

CONTROL
Non DIM

OPTICAL
24°/38°/60°

COLOUR(housing)
White

COLOUR(reflector)
Black

Parameters

POWER	VF	CURRENT	CCT	LUMINOUS FLUX
8W	36V	200mA	2700K 3000K	572~648 lm 576~660 lm

Test standards:
Citizen COB, CRI 90, tolerance range of electrical and optical parameters: ±10%.

Light Distribution

8W 24° 3000K Ra90			8W 38° 3000K Ra90			8W 60° 3000K Ra90		
H(m)	E(lx)	D(m)	H(m)	E(lx)	D(m)	H(m)	E(lx)	D(m)
1	2080	0.49	1	1224	0.72	1	632	1.13
2	520	0.98	2	306	1.42	2	158	2.26
3	231	1.47	3	136	2.12	3	70	3.39
4	130	1.96	4	77	2.83	4	40	4.51
5	83	2.45	5	49	3.54	5	25	5.64
HEIGHT	ILLUMINANCE	DIAMETER	HEIGHT	ILLUMINANCE	DIAMETER	HEIGHT	ILLUMINANCE	DIAMETER

Extended configuration

COLOUR TEMPERATURE
4000K
5000K

CONTROL
PHASE

OPTICAL
15°

COLOUR(housing)
Black

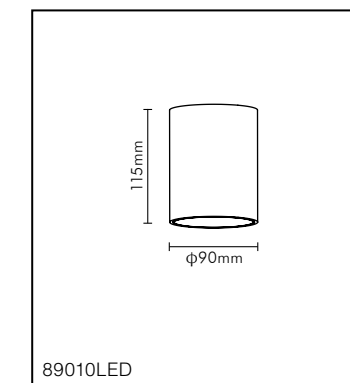
COLOUR(reflector)
White, Gold

Light effect and planning aid



Emphasis of objects or architectural elements. Wide-beam illumination of larger objects or spatial zones.

Mounting dimension



Quickinfo

General
Surface mounted
IP20~IP65

LED
CITIZEN
8W
2700K, 3000K, 4000K, 5000K
50000h@L80
CRI≥90
SDCM: 3

OPTICAL
Direct illumination
Beam angle 15°/24°/38°/60°
Optical accessories

ELECTRICAL
Non DIM,
PHASE

PHYSICAL
Aluminum



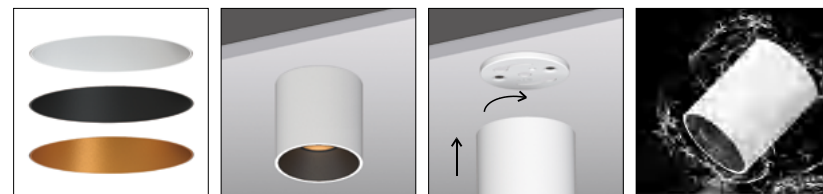
Description

Surface mounted / pendant spotlight can help you to solve the installation problems, surface mounting can avoid the trouble of opening holes.

Applications

Hotels, Shopping malls, Restaurants, Bars, Villas, etc.

Features



CENTAURO

81245LED



Standard configuration

COLOUR TEMPERATURE
2700K
3000K

CONTROL
Non DIM

OPTICAL
15°/24°/38°/60°

COLOUR(housing)
White

COLOUR(reflector)
Black

Parameters

POWER	VF	CURRENT	CCT	LUMINOUS FLUX
15W	36V	350mA	2700K 3000K	1035~1122 lm 1072~1151 lm

Test standards:
Citizen COB, CRI 90, tolerance range of electrical and optical parameters: ±10%.

Light Distribution

15W 15° 3000K Ra90			15W 24° 3000K Ra90			15W 38° 3000K Ra90			15W 60° 3000K Ra90		
H(m)	E(lx)	D(m)	H(m)	E(lx)	D(m)	H(m)	E(lx)	D(m)	H(m)	E(lx)	D(m)
3	1100	0.80	3	563	1.23	3	245	2.17	3	140	3.40
4	619	1.07	4	317	1.64	4	138	2.90	4	79	4.54
5	396	1.34	5	203	2.05	5	88	3.62	5	50	5.67
6	275	1.61	6	141	2.47	6	61	4.35	6	35	6.81
7	202	1.87	7	103	2.88	7	45	5.07	7	26	7.94

Extended configuration

COLOUR TEMPERATURE
4000K
5000K

CONTROL
PHASE

COLOUR(housing)
Black

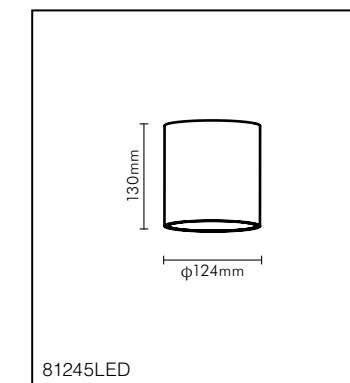
COLOUR(reflector)
White, Gold

Light effect and planning aid



Emphasis of objects or architectural elements. Wide-beam illumination of larger objects or spatial zones.

Mounting dimension



Quickinfo

General
Surface mounted
IP20~IP65

LED
CITIZEN
15W
2700K, 3000K, 4000K, 5000K
50000h@L80
CRI≥90
SDCM: 3

OPTICAL
Direct illumination
Beam angle 15°/24°/38°/60°
Optical accessories

ELECTRICAL
Non DIM,
PHASE

PHYSICAL
Aluminum



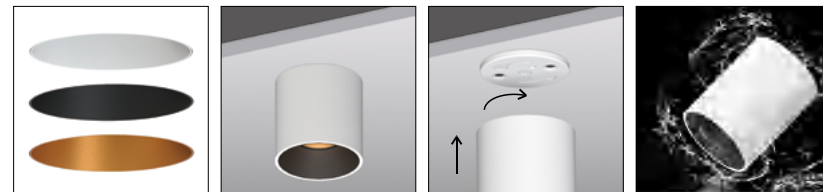
Description

Surface mounted / pendant spotlight can help you to solve the installation problems. It can provide you with higher brightness, meet the requirements of higher and larger space lighting, and provide more luminous flux.

Applications

Hotels, Shopping malls, Restaurants, Bars, Villas, etc.

Features



CENTAURO

8909LED



Standard configuration

COLOUR TEMPERATURE
2700K
3000K

CONTROL
Non DIM

OPTICAL
24°/38°/60°

COLOUR(housing)
White

COLOUR(reflector)
Black

Parameters

POWER	VF	CURRENT	CCT	LUMINOUS FLUX
8W	36V	200mA	2700K 3000K	572~648 lm 576~660 lm

Test standards:
Citizen COB, CRI 90, tolerance range of electrical and optical parameters: ±10%.

Light Distribution

8W 24° 3000K Ra90			8W 38° 3000K Ra90			8W 60° 3000K Ra90		
H(m)	E(lx)	D(m)	H(m)	E(lx)	D(m)	H(m)	E(lx)	D(m)
1	2080	0.49	1	1224	0.72	1	632	1.13
2	520	0.98	2	306	1.42	2	158	2.26
3	231	1.47	3	136	2.12	3	70	3.39
4	130	1.96	4	77	2.83	4	40	4.51
5	83	2.45	5	49	3.54	5	25	5.64
HEIGHT	ILLUMINANCE	DIAMETER	HEIGHT	ILLUMINANCE	DIAMETER	HEIGHT	ILLUMINANCE	DIAMETER

Extended configuration

COLOUR TEMPERATURE
4000K
5000K

CONTROL
PHASE

OPTICAL
15°

COLOUR(housing)
Black

COLOUR(reflector)
White, Gold

Light effect and planning aid



Emphasis of objects or architectural elements. Wide-beam illumination of larger objects or spatial zones.

Quickinfo

General
Surface mounted
IP20~IP65

LED
CITIZEN
8W
2700K, 3000K, 4000K, 5000K
50000h@L80
CRI≥90
SDCM: 3

OPTICAL
Direct illumination
Beam angle 15°/24°/38°/60°
Optical accessories

ELECTRICAL
Non DIM,
PHASE

PHYSICAL
Aluminum



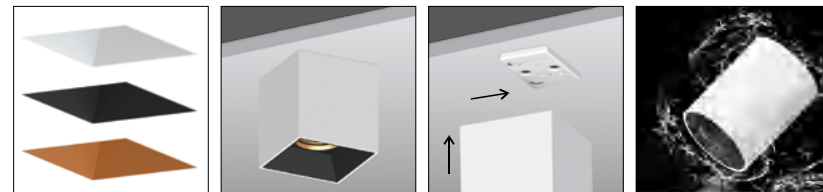
Description

Surface mounted/pendant spotlights install on the surface of ceiling can help you to solve the installation problems. Small and exquisite square design makes the space more beautiful.

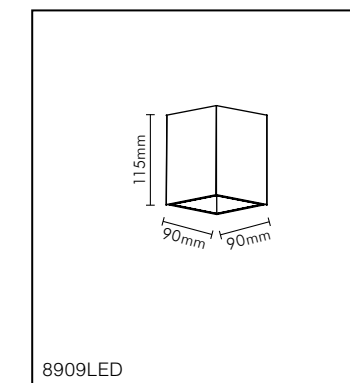
Applications

Hotels, Shopping malls, Restaurants, Bars, Villas, etc.

Features



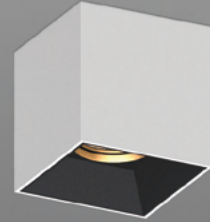
Mounting dimension



8909LED

CENTAURO

81246LED



Standard configuration

COLOUR TEMPERATURE
2700K
3000K

CONTROL
Non DIM

OPTICAL
15°/24°/38°/60°

COLOUR(housing)
White

COLOUR(reflector)
Black

Parameters

POWER	VF	CURRENT	CCT	LUMINOUS FLUX
15W	36V	350mA	2700K 3000K	1035~1122 lm 1072~1151 lm

Test standards:
Citizen COB, CRI 90, tolerance range of electrical and optical parameters: ±10%.

Light Distribution

15W 15° 3000K Ra90			15W 24° 3000K Ra90			15W 38° 3000K Ra90			15W 60° 3000K Ra90		
H(m)	E(lx)	D(m)	H(m)	E(lx)	D(m)	H(m)	E(lx)	D(m)	H(m)	E(lx)	D(m)
3	1100	0.80	3	563	1.23	3	245	2.17	3	140	3.40
4	619	1.07	4	317	1.64	4	138	2.90	4	79	4.54
5	396	1.34	5	203	2.05	5	88	3.62	5	50	5.67
6	275	1.61	6	141	2.47	6	61	4.35	6	35	6.81
7	202	1.87	7	103	2.88	7	45	5.07	7	26	7.94

Extended configuration

COLOUR TEMPERATURE
4000K
5000K

CONTROL
PHASE

COLOUR(housing)
Black

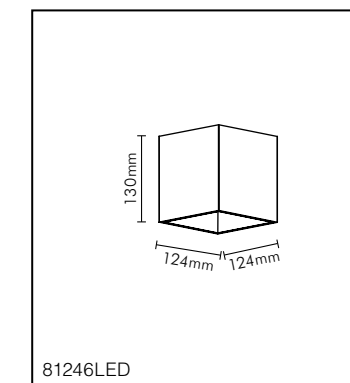
COLOUR(reflector)
White, Gold

Light effect and planning aid



Emphasis of objects or architectural elements. Wide-beam illumination of larger objects or spatial zones.

Mounting dimension



Quickinfo

General
Surface mounted
IP20~IP65

LED
CITIZEN
15W
2700K, 3000K, 4000K, 5000K
50000h@L80
CRI≥90
SDCM: 3

OPTICAL
Direct illumination
Beam angle 15°/24°/38°/60°
Optical accessories

ELECTRICAL
Non DIM,
PHASE

PHYSICAL
Aluminum



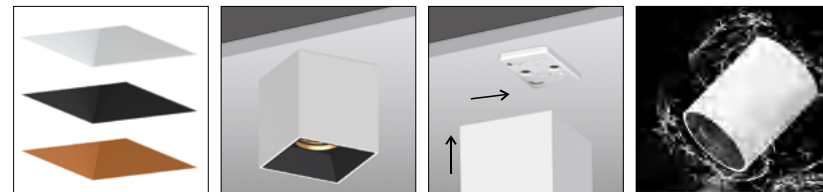
Description

Surface mounted / pendant spotlight's square shape and ceiling mounted design can provide you with higher brightness, meet the requirements of higher and larger space lighting, and provide more luminous flux.

Applications

Hotels, Shopping malls, Restaurants, Bars, Villas, etc.


Features



LUPO

Recessed pull		2503LED... ϕ 50mm..... 384
		2703LED... ϕ 70mm..... 386

Track		3501LED... ϕ 50mm..... 392
		3701LED... ϕ 70mm..... 396

Track		3502LED... ϕ 50mm..... 400
		3702LED... ϕ 70mm..... 404

Recessed		2502LED... ϕ 50mm..... 410
		2702LED... ϕ 70mm..... 412

Surface mounted		8503LED... ϕ 50mm..... 418
		8702LED... ϕ 70mm..... 420



Proceeding from the intellect, drawing, father of our three arts - architecture, sculpture and painting - develops a global concept from multiple elements. This is like the form or idea of all the objects of nature, always original in its measures

Giorgio VASARI

· PALAZZO UFFICI - Florence

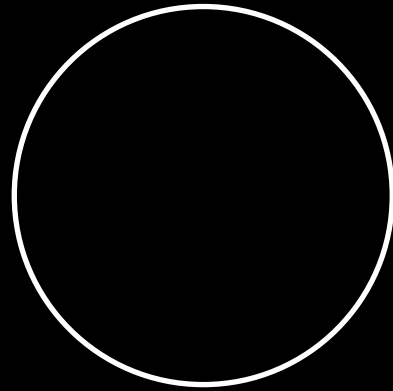
LUPO series

LUPO series is versatile range of track light design for full range of application. This collection is completed by a set of powerful professional luminaries for electronic miniaturization, minimizing the visual impact, flexible adjustment and offering optimal performance for most of the indoor applications. They're available in two sizes, and five different versions:

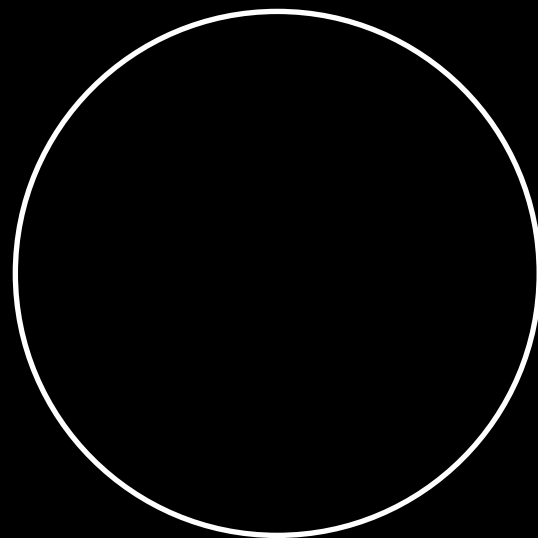
- Adopt passive cooling high power LED system which is stable and durable.
- 350 ° rotatable in horizontal direction and 90 ° rotatable in vertical direction.
- Adopt the most efficient COB chip technology which is greatly improving the light efficiency.
- Deep anti-glare structure design.
- High quality optical lens make the light pure and soft.
- Can be configured with different accessories, such as honeycomb louvre, glass.



Size

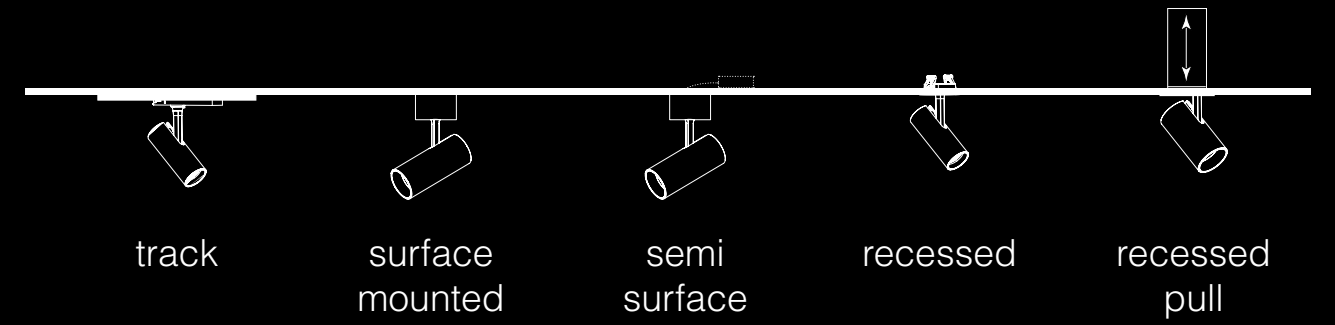


φ50mm

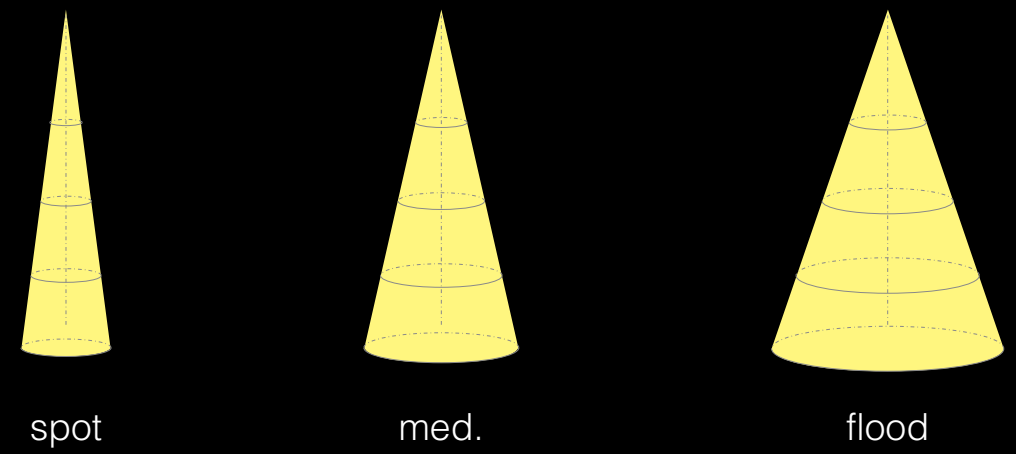


φ70mm

Optical

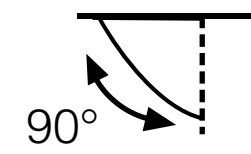
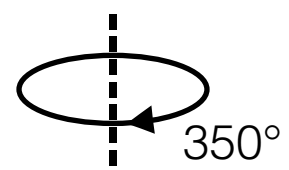


Optical

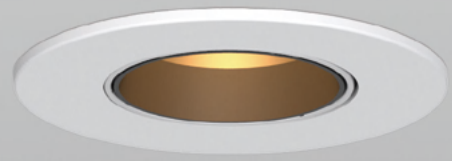




3702LED
φ70mm
15W/20W/25W



Flush



Pull-out



Pull More



Rotate & Tilt



LUPO

2503LED



Quickinfo

GENERAL
Recessed
IP20

LED
CITIZEN
8W, 10W, 12W, 15W
2700K, 3000K, 4000K, 5000K
50000h@L80
CRI≥90
SDCM: 3

OPTICAL
Direct illumination
Beam angle 15°/24°/38°
Optical accessories

ELECTRICAL
NON-DIM
PHASE
1-10V
DALI
BLUETOOTH

PHYSICAL
Aluminum



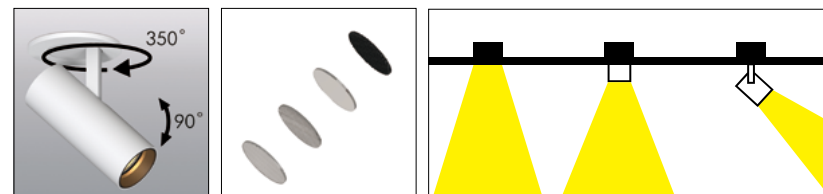
Description

Stretchable design can be used for general lighting, accent lighting as well as decoration. It looks simple, but it's not.

Applications

Shopping malls, Museums, Galleries, Exhibition halls, Hotels, Restaurants, Bars, Convention centers, etc.

Features



Standard configuration

COLOUR TEMPERATURE
2700K
3000K

CONTROL
NON-DIM

OPTICAL
15°/24°/38°

COLOUR(housing)
White

COLOUR(reflector)
Black

Extended configuration

COLOUR TEMPERATURE
4000K
5000K

CONTROL
DALI, PHASE, 1-10V

COLOUR(housing)
Black

Options on request

CONTROL
BLUETOOTH

Parameters

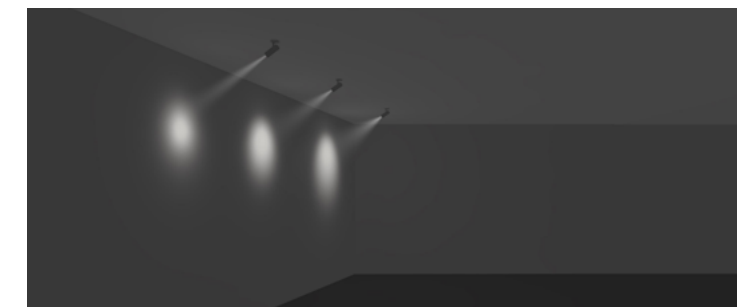
POWER	VF	CURRENT	CCT	LUMINOUS FLUX
8W	31V	250mA	2700K	630~661 lm
			3000K	632~664 lm
10W	31V	300mA	2700K	705~734 lm
			3000K	740~779 lm
12W	31V	350mA	2700K	802~825 lm
			3000K	821~864 lm
15W	31V	400mA	2700K	895~922 lm
			3000K	920~971 lm

Test standards:
Citizen COB, CRI 90, tolerance range of electrical and optical parameters: ±10%.

Light Distribution

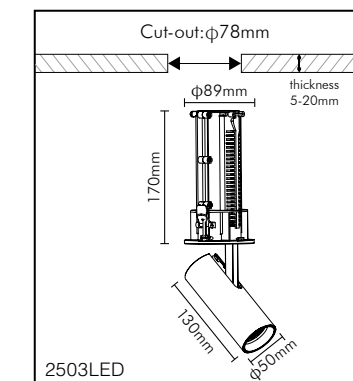
15W 15° 3000K Ra90			15W 24° 3000K Ra90			15W 38° 3000K Ra90		
H(m)	E(lx)	D(m)	H(m)	E(lx)	D(m)	H(m)	E(lx)	D(m)
1	10074	0.25	1	5448	0.42	1	2231	0.69
2	2519	0.51	2	1362	0.85	2	558	1.38
3	1119	0.76	3	605	1.27	3	248	2.07
4	630	1.02	4	341	1.69	4	139	2.76
5	403	1.27	5	218	2.11	5	89	3.45

Light effect and planning aid



Emphasis of objects or architectural elements.

Technical drawing



LUPO

2703LED



Quickinfo

GENERAL
Recessed
IP20

LED
CITIZEN
15W, 20W
2700K, 3000K, 4000K, 5000K
50000h@L80
CRI≥90
SDCM: 3

OPTICAL
Direct illumination
Beam angle 15°/24°/38°
Optical accessories

ELECTRICAL
NON-DIM
PHASE
1-10V
DALI
BLUETOOTH

PHYSICAL
Aluminum



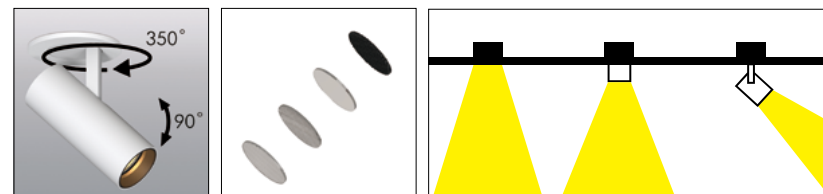
Description

Stretchable design, thick and solid appearance, can provide high power lighting.

Applications

Shopping malls, Museums, Galleries, Exhibition halls, Hotels, Restaurants, Bars, Convention centers, etc.

Features



Standard configuration

COLOUR TEMPERATURE
2700K
3000K

CONTROL
NON-DIM

OPTICAL
15°/24°/38°

COLOUR(housing)
White

COLOUR(reflector)
Black

Extended configuration

COLOUR TEMPERATURE
4000K
5000K

CONTROL
DALI, PHASE, 1-10V

COLOUR(housing)
Black

Options on request

CONTROL
BLUETOOTH

Parameters

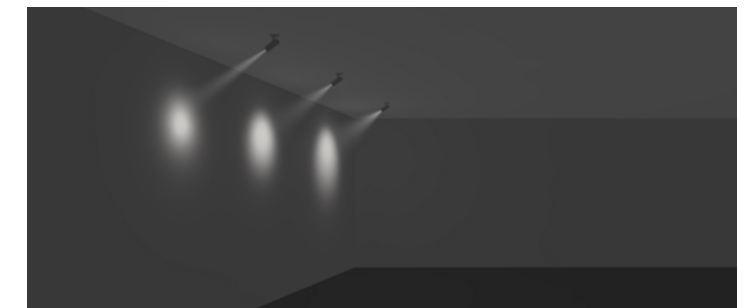
POWER	VF	CURRENT	CCT	LUMINOUS FLUX
15W	36V	350mA	2700K	945~1064 lm
			3000K	1072~1122 lm
20W	36V	500mA	2700K	1303~1468 lm
			3000K	1500~1570 lm

Test standards:
Citizen COB, CRI 90, tolerance range of electrical and optical parameters: ±10%.

Light Distribution

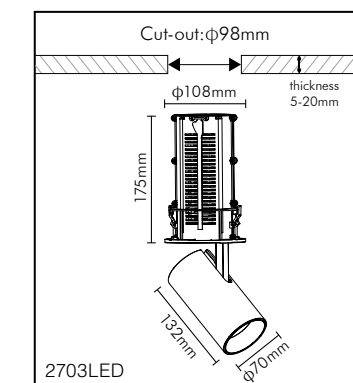
20W 15° 3000K Ra90			20W 24° 3000K Ra90			20W 38° 3000K Ra90		
H(m)	E(lx)	D(m)	H(m)	E(lx)	D(m)	H(m)	E(lx)	D(m)
3	1609	0.84	3	809	1.27	3	415	1.98
4	905	1.12	4	455	1.69	4	233	2.64
5	579	1.41	5	291	2.11	5	149	3.30
6	402	1.69	6	202	2.53	6	104	3.97
7	296	1.97	7	149	2.95	7	76	4.63
HEIGHT	ILLUMINANCE	DIAMETER	HEIGHT	ILLUMINANCE	DIAMETER	HEIGHT	ILLUMINANCE	DIAMETER

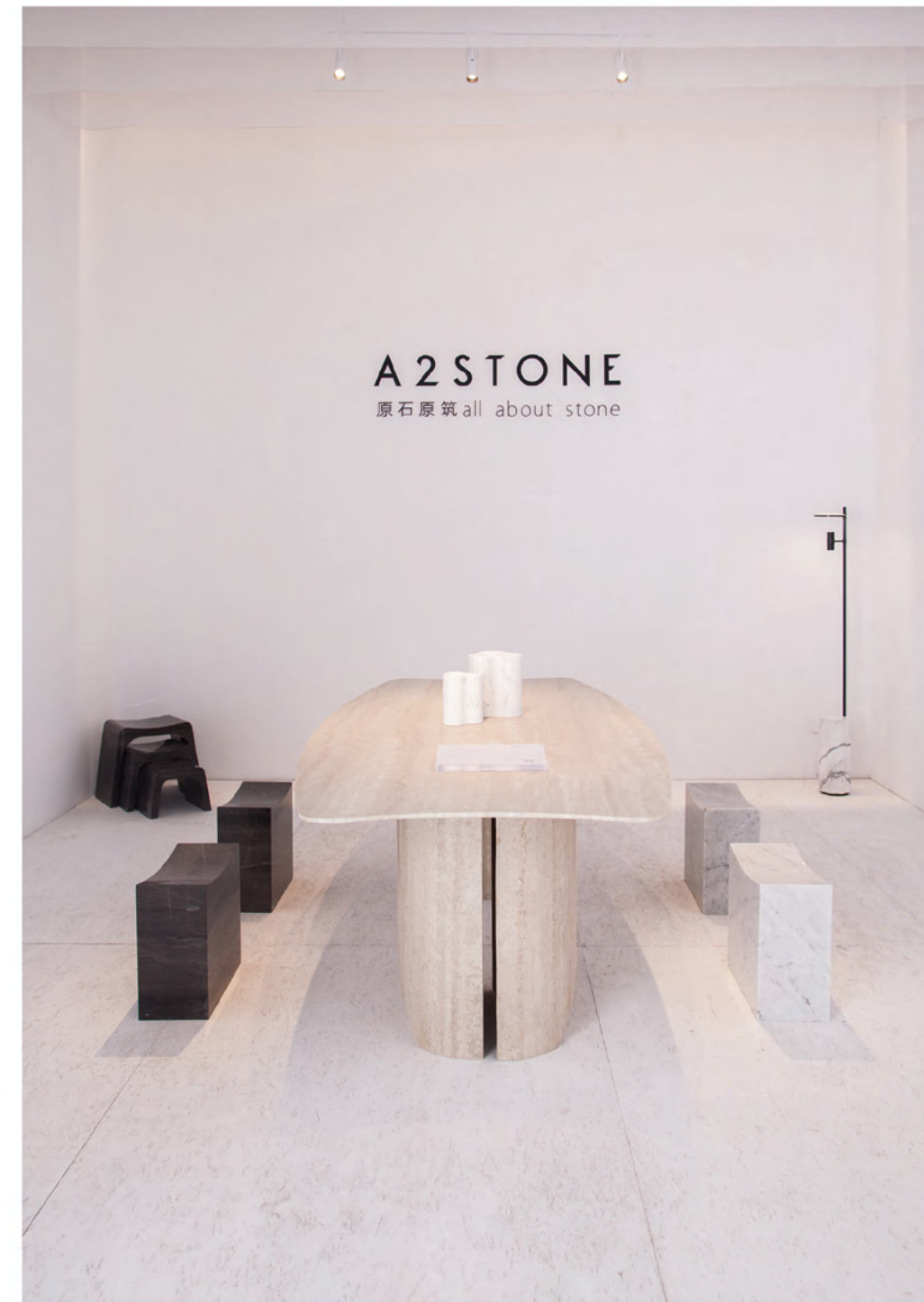
Light effect and planning aid



Emphasis of objects or architectural elements.

Technical drawing







LUPO

3501LED



Standard configuration

COLOUR TEMPERATURE
2700K
3000K

CONTROL
NON-DIM

OPTICAL
15°/24°/38°

COLOUR(housing)
White

COLOUR(reflector)
Black

Extended configuration

COLOUR TEMPERATURE
4000K
5000K

CONTROL
PHASE

COLOUR(housing)
Black

Parameters

POWER	VF	CURRENT	CCT	LUMINOUS FLUX
8W	31V	250mA	2700K	630~661 lm
			3000K	632~664 lm
10W	31V	300mA	2700K	705~734 lm
			3000K	740~779 lm
12W	31V	350mA	2700K	802~825 lm
			3000K	821~864 lm
15W	31V	400mA	2700K	895~922 lm
			3000K	920~971 lm

Test standards:
Citizen COB, CRI 90, tolerance range of electrical and optical parameters: ±10%.

Light Distribution

15W 15° 3000K Ra90			15W 24° 3000K Ra90			15W 38° 3000K Ra90		
H(m)	E(lx)	D(m)	H(m)	E(lx)	D(m)	H(m)	E(lx)	D(m)
1	10074	0.25	1	5448	0.42	1	2231	0.69
2	2519	0.51	2	1362	0.85	2	558	1.38
3	1119	0.76	3	605	1.27	3	248	2.07
4	630	1.02	4	341	1.69	4	139	2.76
5	403	1.27	5	218	2.11	5	89	3.45

Quickinfo

GENERAL
Track
IP20

LED
CITIZEN
8W, 10W, 12W, 15W
2700K, 3000K, 4000K, 5000K
50000h@L80
CRI≥90
SDCM: 3

OPTICAL
Direct illumination
Beam angle 15°/24°/38°
Optical accessories

ELECTRICAL
NON-DIM
PHASE

PHYSICAL
Aluminum



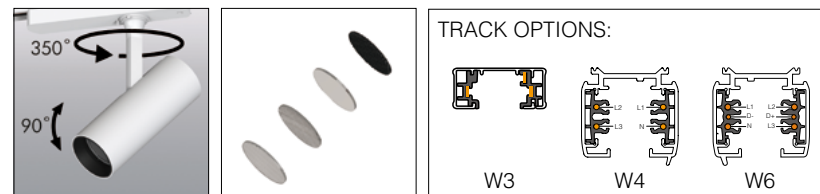
Description

Track design enables the lamp to slide freely in the track, so that the object can not escape from the light range.

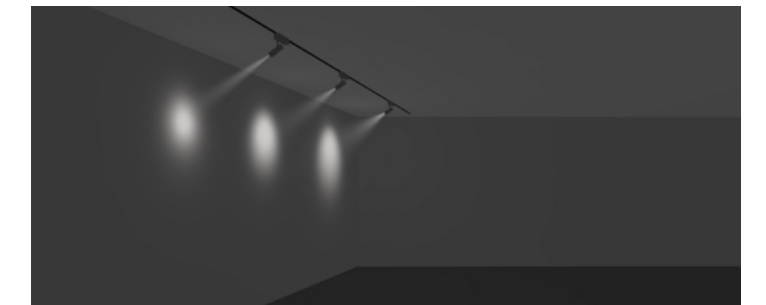
Applications

Shopping malls, Museums, Galleries, Exhibition halls, Hotels, Restaurants, Bars, Convention centers, etc.

Features

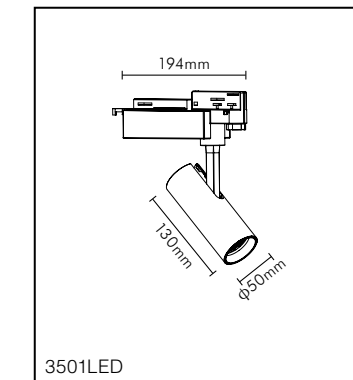


Light effect and planning aid



Emphasis of objects or architectural elements.

Technical drawing





LUPO

3701LED



Standard configuration

COLOUR TEMPERATURE
2700K
3000K

CONTROL
NON-DIM

OPTICAL
15°/24°/38°

COLOUR(housing)
White

COLOUR(reflector)
Black

Extended configuration

COLOUR TEMPERATURE
4000K
5000K

CONTROL
PHASE

COLOUR(housing)
Black

Parameters

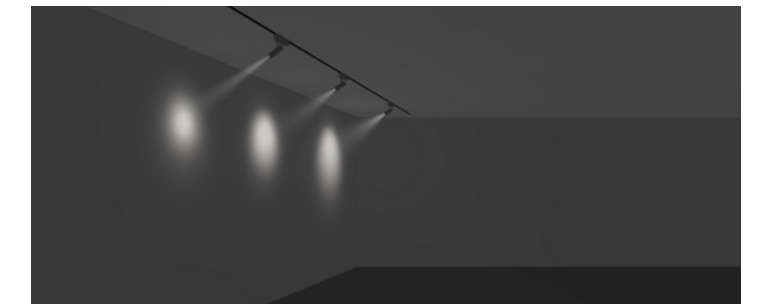
POWER	VF	CURRENT	CCT	LUMINOUS FLUX
15W	36V	350mA	2700K 3000K	945~1064 lm 1072~1122 lm
20W	36V	500mA	2700K 3000K	1303~1468 lm 1500~1570 lm
25W	36V	600mA	2700K 3000K	1622~1760 lm 1716~1803 lm

Test standards:
Citizen COB, CRI 90, tolerance range of electrical and optical parameters: ±10%.

Light Distribution

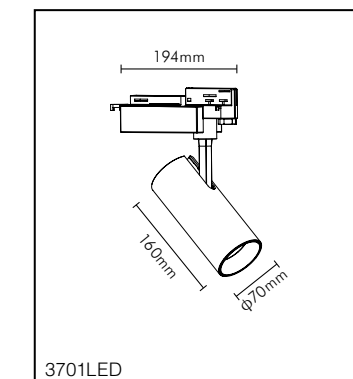
25W 15° 3000K Ra90			25W 24° 3000K Ra90			25W 38° 3000K Ra90		
H(m)	E(lx)	D(m)	H(m)	E(lx)	D(m)	H(m)	E(lx)	D(m)
3	1848	0.84	3	924	1.27	3	474	1.98
4	1039	1.12	4	520	1.69	4	267	2.65
5	665	1.41	5	333	2.11	5	171	3.31
6	462	1.69	6	231	2.53	6	119	3.97
7	340	1.97	7	170	2.96	7	87	4.63

Light effect and planning aid



Emphasis of objects or architectural elements.

Technical drawing



Quickinfo

GENERAL
Track
IP20

LED
CITIZEN
15W, 20W, 25W
2700K, 3000K, 4000K, 5000K
50000h@L80
CRI≥90
SDCM: 3

OPTICAL
Direct illumination
Beam angle 15°/24°/38°
Optical accessories

ELECTRICAL
NON-DIM
PHASE

PHYSICAL
Aluminum



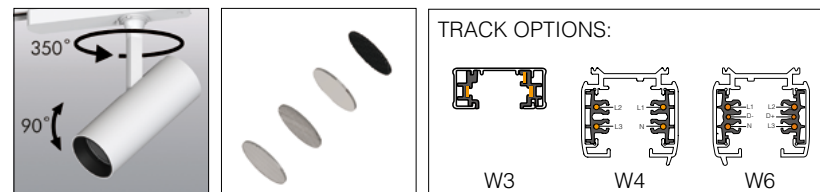
Description

Track design enables the lamp to slide freely in the track to provide you with high brightness and high power lighting.

Applications

Shopping malls, Museums, Galleries, Exhibition halls, Hotels, Restaurants, Bars, Convention centers, etc.

Features





LUPO

3502LED



Standard configuration

COLOUR TEMPERATURE
2700K
3000K

CONTROL
NON-DIM

OPTICAL
15°/24°/38°

COLOUR(housing)
White

COLOUR(reflector)
Black

Extended configuration

COLOUR TEMPERATURE
4000K
5000K

CONTROL
DALI, PHASE

COLOUR(housing)
Black

Options on request

CONTROL
BLUETOOTH

Parameters

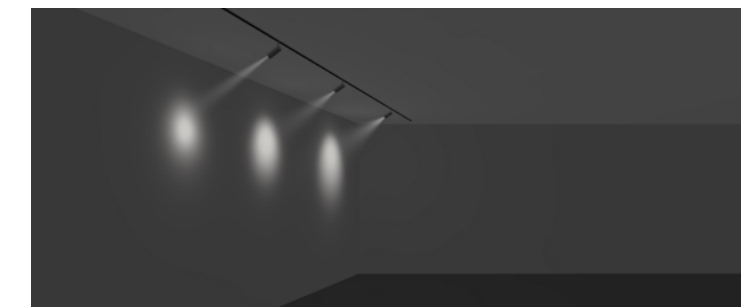
POWER	VF	CURRENT	CCT	LUMINOUS FLUX
8W	31V	250mA	2700K	630~661 lm
			3000K	632~664 lm
10W	31V	300mA	2700K	705~734 lm
			3000K	740~779 lm
12W	31V	350mA	2700K	802~825 lm
			3000K	821~864 lm
15W	31V	400mA	2700K	895~922 lm
			3000K	920~971 lm

Test standards:
Citizen COB, CRI 90, tolerance range of electrical and optical parameters: ±10%.

Light Distribution

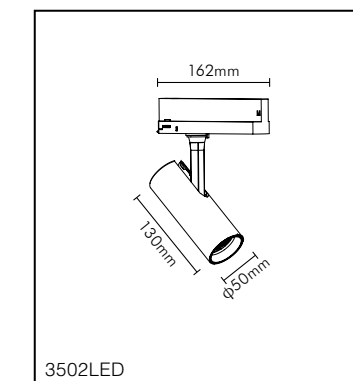
15W 15° 3000K Ra90			15W 24° 3000K Ra90			15W 38° 3000K Ra90		
H(m)	E(lx)	D(m)	H(m)	E(lx)	D(m)	H(m)	E(lx)	D(m)
1	10074	0.25	1	5448	0.42	1	2231	0.69
2	2519	0.51	2	1362	0.85	2	558	1.38
3	1119	0.76	3	605	1.27	3	248	2.07
4	630	1.02	4	341	1.69	4	139	2.76
5	403	1.27	5	218	2.11	5	89	3.45

Light effect and planning aid



Emphasis of objects or architectural elements.

Technical drawing



Quickinfo

GENERAL
Track
IP20

LED
CITIZEN
8W, 10W, 12W, 15W
2700K, 3000K, 4000K, 5000K
50000h@L80
CRI≥90
SDCM: 3

OPTICAL
Direct illumination
Beam angle 15°/24°/38°
Optical accessories

ELECTRICAL
NON-DIM
PHASE
DALI
BLUETOOTH

PHYSICAL
Aluminum



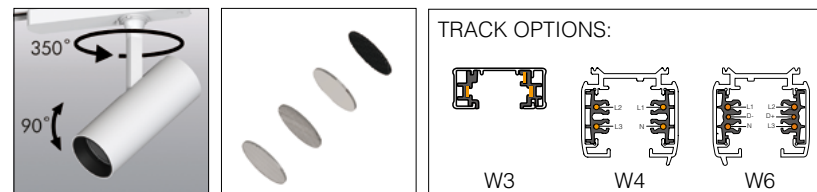
Description

Track design enables the lamp to slide freely in the track, the power supply is completely hidden in the track, so that the lamp and the track can be integrated perfectly.

Applications

Shopping malls, Museums, Galleries, Exhibition halls, Hotels, Restaurants, Bars, Convention centers, etc.

Features





LUPO

3702LED



Standard configuration

COLOUR TEMPERATURE
2700K
3000K

CONTROL
NON-DIM

OPTICAL
15°/24°/38°

COLOUR(housing)
White

COLOUR(reflector)
Black

Extended configuration

COLOUR TEMPERATURE
4000K
5000K

CONTROL
DALI, PHASE

COLOUR(housing)
Black

Options on request

CONTROL
BLUETOOTH

Parameters

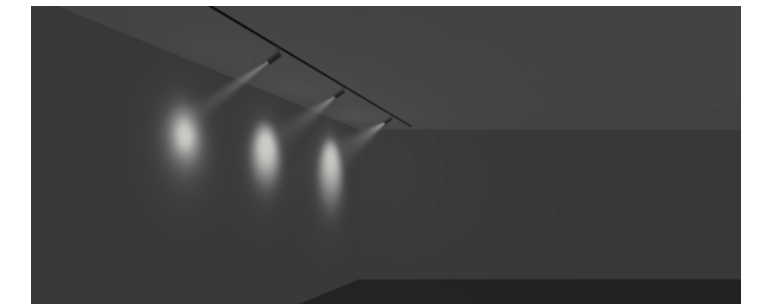
POWER	VF	CURRENT	CCT	LUMINOUS FLUX
15W	36V	350mA	2700K	945~1064 lm
			3000K	1072~1122 lm
20W	36V	500mA	2700K	1303~1468 lm
			3000K	1500~1570 lm
25W	36V	600mA	2700K	1622~1760 lm
			3000K	1716~1803 lm

Test standards:
Citizen COB, CRI 90, tolerance range of electrical and optical parameters: ±10%.

Light Distribution

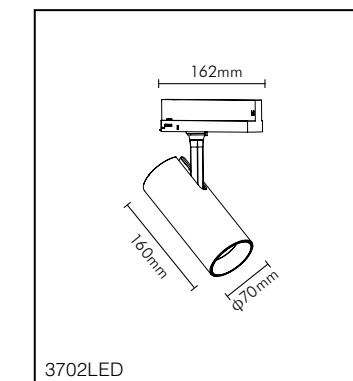
25W 15° 3000K Ra90			25W 24° 3000K Ra90			25W 38° 3000K Ra90		
H(m)	E(lx)	D(m)	H(m)	E(lx)	D(m)	H(m)	E(lx)	D(m)
3	1848	0.84	3	924	1.27	3	474	1.98
4	1039	1.12	4	520	1.69	4	267	2.65
5	665	1.41	5	333	2.11	5	171	3.31
6	462	1.69	6	231	2.53	6	119	3.97
7	340	1.97	7	170	2.96	7	87	4.63

Light effect and planning aid



Emphasis of objects or architectural elements.

Technical drawing



Quickinfo

GENERAL
Track
IP20

LED
CITIZEN
15W, 20W, 25W
2700K, 3000K, 4000K, 5000K
50000h@L80
CRI≥90
SDCM: 3

OPTICAL
Direct illumination
Beam angle 15°/24°/38°
Optical accessories

ELECTRICAL
NON-DIM
PHASE
DALI
BLUETOOTH

PHYSICAL
Aluminum



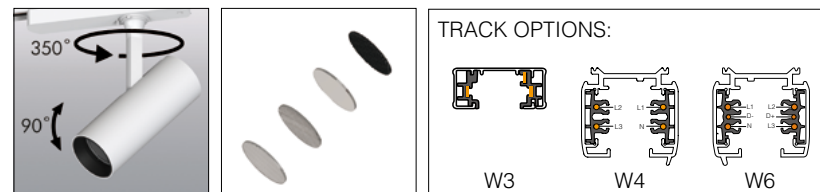
Description

Track design enables the lamp to slide freely in the track, and the power supply is completely hidden in the track, which can provide higher brightness and higher power.

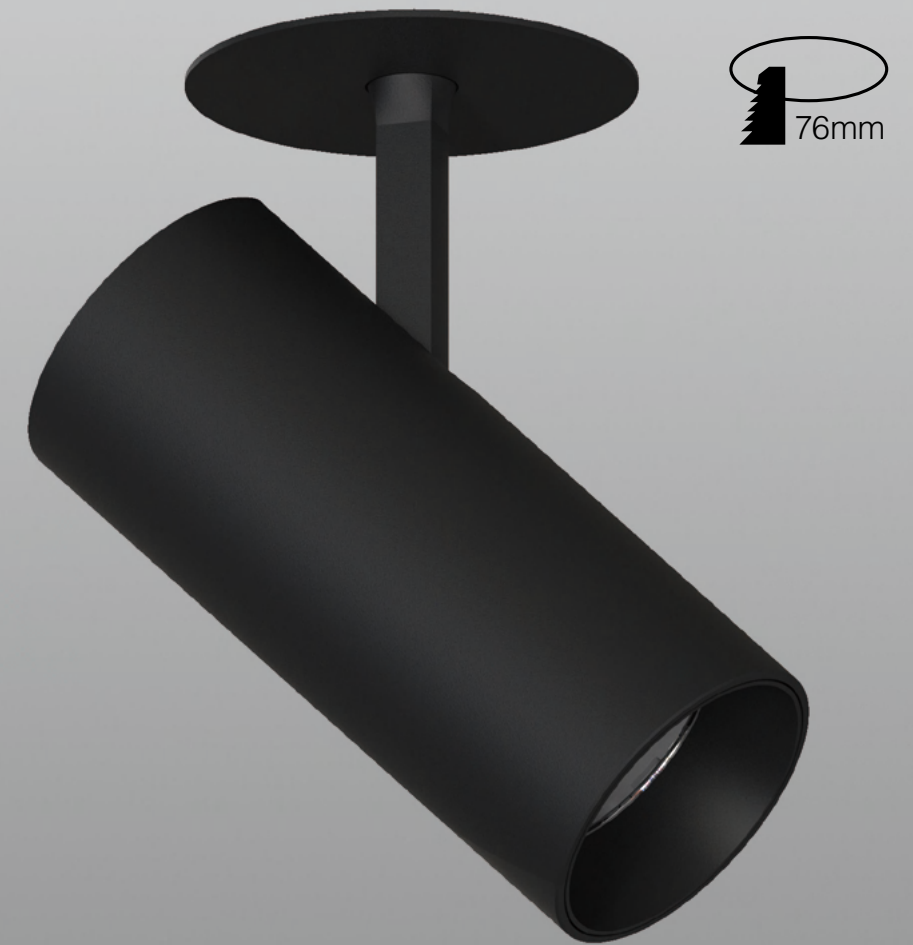
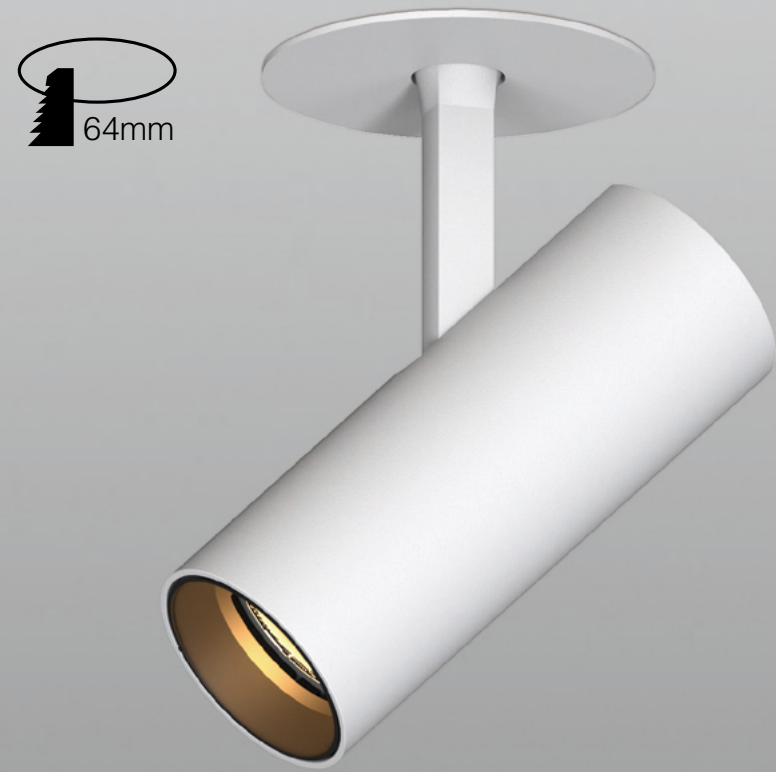
Applications

Shopping malls, Museums, Galleries, Exhibition halls, Hotels, Restaurants, Bars, Convention centers, etc.

Features

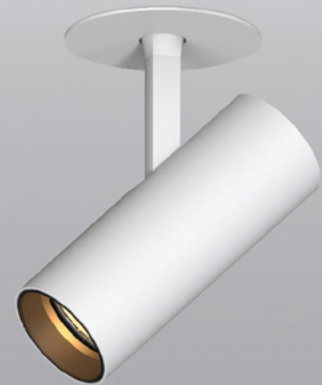






LUPO

2502LED



Standard configuration

COLOUR TEMPERATURE
2700K
3000K

CONTROL
NON-DIM

OPTICAL
15°/24°/38°

COLOUR(housing)
White

COLOUR(reflector)
Black

Extended configuration

COLOUR TEMPERATURE
4000K
5000K

CONTROL
DALI, PHASE, 1-10V

COLOUR(housing)
Black

Options on request

CONTROL
BLUETOOTH

Parameters

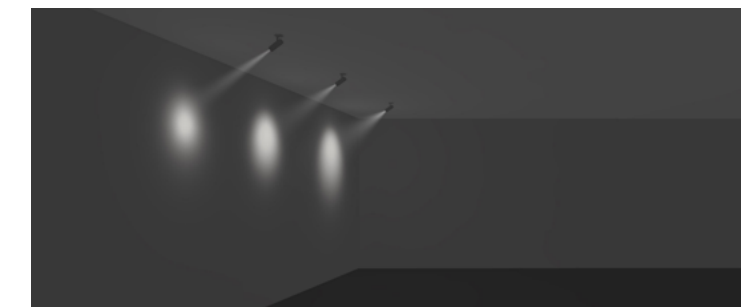
POWER	VF	CURRENT	CCT	LUMINOUS FLUX
8W	31V	250mA	2700K	630~661 lm
			3000K	632~664 lm
10W	31V	300mA	2700K	705~734 lm
			3000K	740~779 lm
12W	31V	350mA	2700K	802~825 lm
			3000K	821~864 lm
15W	31V	400mA	2700K	895~922 lm
			3000K	920~971 lm

Test standards:
Citizen COB, CRI 90, tolerance range of electrical and optical parameters: ±10%.

Light Distribution

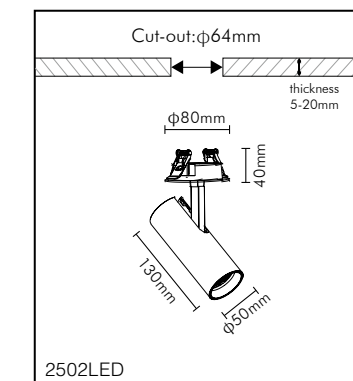
15W 15° 3000K Ra90			15W 24° 3000K Ra90			15W 38° 3000K Ra90		
H(m)	E(lx)	D(m)	H(m)	E(lx)	D(m)	H(m)	E(lx)	D(m)
1	10074	0.25	1	5448	0.42	1	2231	0.69
2	2519	0.51	2	1362	0.85	2	558	1.38
3	1119	0.76	3	605	1.27	3	248	2.07
4	630	1.02	4	341	1.69	4	139	2.76
5	403	1.27	5	218	2.11	5	89	3.45

Light effect and planning aid



Emphasis of objects or architectural elements.

Technical drawing



Quickinfo

GENERAL
Recessed
IP20

LED
CITIZEN
8W, 10W, 12W, 15W
2700K, 3000K, 4000K, 5000K
50000h@L80
CRI≥90
SDCM: 3

OPTICAL
Direct illumination
Beam angle 15°/24°/38°
Optical accessories

ELECTRICAL
NON-DIM
PHASE
1-10V
DALI
BLUETOOTH

PHYSICAL
Aluminum



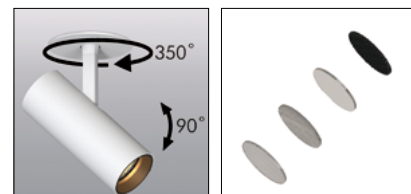
Description

Recessed installation, adjustable and flexible direction, minimalist design makes the lamp become a part of the decoration.

Applications

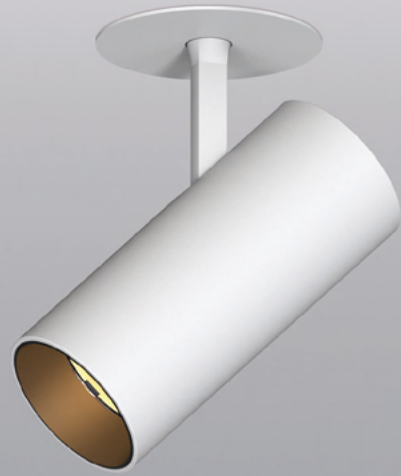
Shopping malls, Museums, Galleries, Exhibition halls, Hotels, Restaurants, Bars, Convention centers, etc.

Features



LUPO

2702LED



Standard configuration

COLOUR TEMPERATURE
2700K
3000K

CONTROL
NON-DIM

OPTICAL
15°/24°/38°

COLOUR(housing)
White

COLOUR(reflector)
Black

Extended configuration

COLOUR TEMPERATURE
4000K
5000K

CONTROL
DALI, PHASE, 1-10V

COLOUR(housing)
Black

Options on request

CONTROL
BLUETOOTH

Parameters

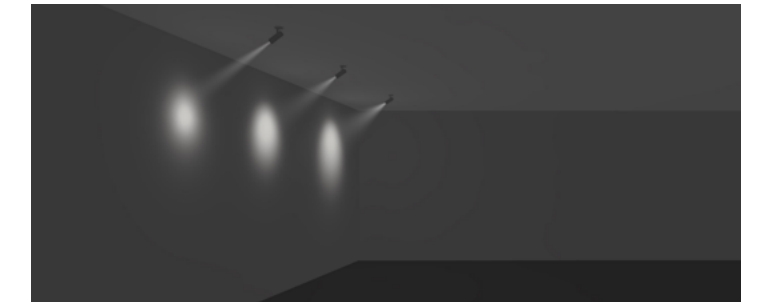
POWER	VF	CURRENT	CCT	LUMINOUS FLUX
15W	36V	350mA	2700K	945~1064 lm
			3000K	1072~1122 lm
20W	36V	500mA	2700K	1303~1468 lm
			3000K	1500~1570 lm
25W	36V	600mA	2700K	1622~1760 lm
			3000K	1716~1803 lm

Test standards:
Citizen COB, CRI 90, tolerance range of electrical and optical parameters: ±10%.

Light Distribution

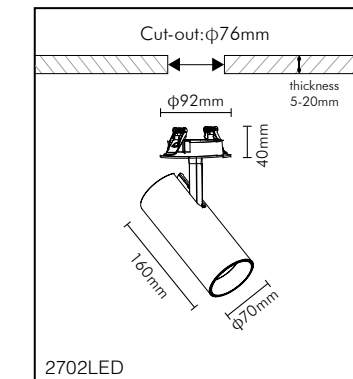
25W 15° 3000K Ra90			25W 24° 3000K Ra90			25W 38° 3000K Ra90		
H(m)	E(lx)	D(m)	H(m)	E(lx)	D(m)	H(m)	E(lx)	D(m)
3	1848	0.84	3	924	1.27	3	474	1.98
4	1039	1.12	4	520	1.69	4	267	2.65
5	665	1.41	5	333	2.11	5	171	3.31
6	462	1.69	6	231	2.53	6	119	3.97
7	340	1.97	7	170	2.96	7	87	4.63

Light effect and planning aid



Emphasis of objects or architectural elements.

Technical drawing



Quickinfo

GENERAL
Recessed
IP20

LED
CITIZEN
15W, 20W, 25W
2700K, 3000K, 4000K, 5000K
50000h@L80
CRI≥90
SDCM: 3

OPTICAL
Direct illumination
Beam angle 15°/24°/38°
Optical accessories

ELECTRICAL
NON-DIM
PHASE
1-10V
DALI
BLUETOOTH

PHYSICAL
Aluminum



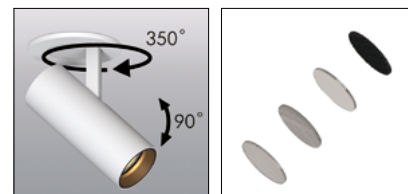
Description

Recessed installation, adjustable and flexible direction, minimalist design makes the lamp become a part of the decoration, while providing higher brightness and greater power.

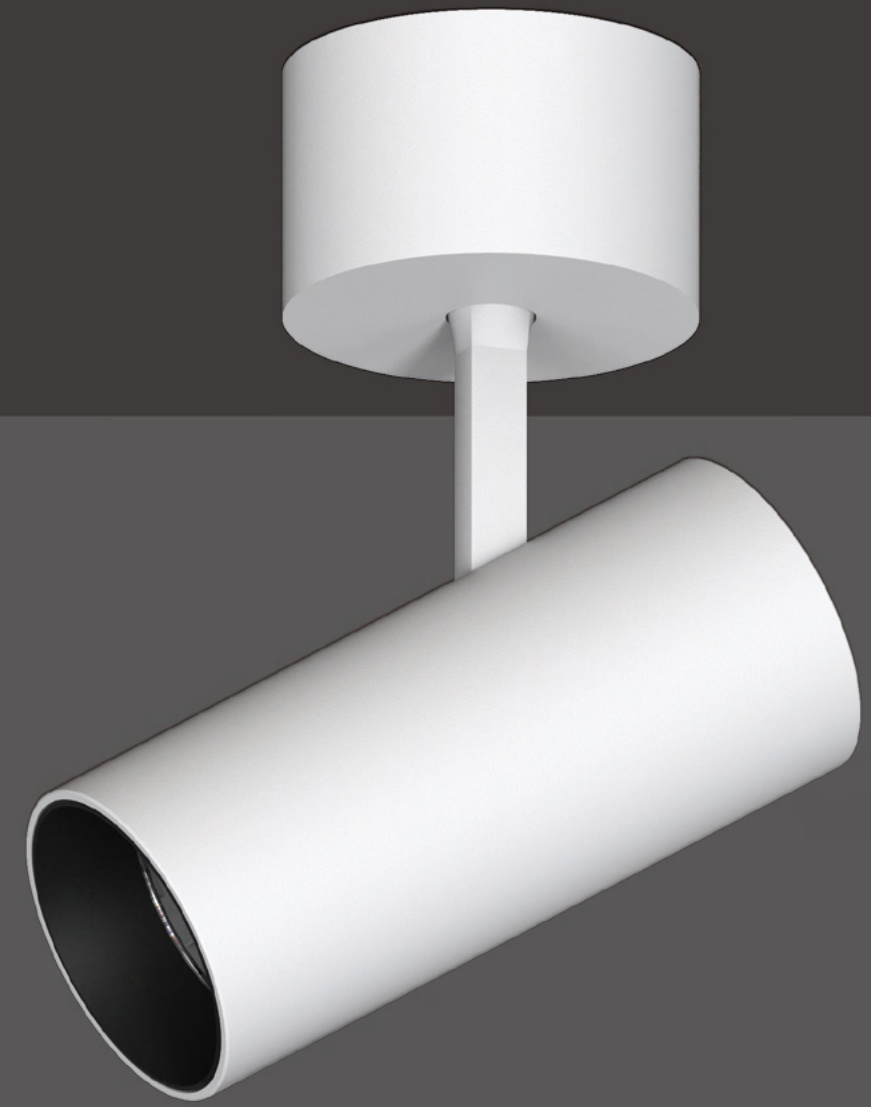
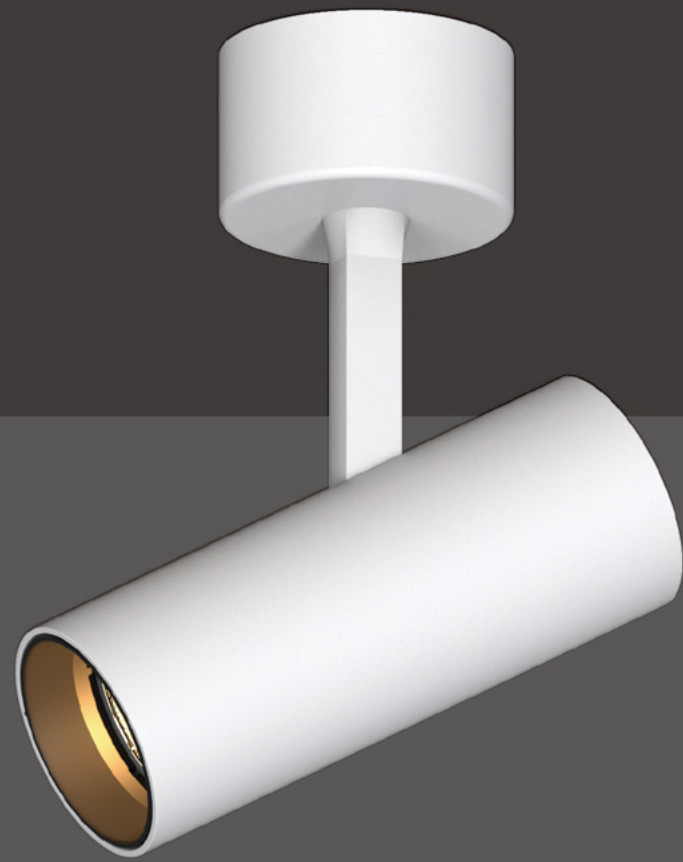
Applications

Shopping malls, Museums, Galleries, Exhibition halls, Hotels, Restaurants, Bars, Convention centers, etc.

Features

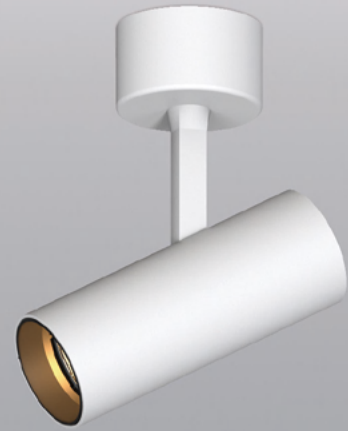






LUPO

8503LED



Standard configuration

COLOUR TEMPERATURE
2700K
3000K

CONTROL
NON-DIM

OPTICAL
15°/24°/38°

COLOUR(housing)
White

COLOUR(reflector)
Black

Extended configuration

COLOUR TEMPERATURE
4000K
5000K

CONTROL
PHASE

COLOUR(housing)
Black

Parameters

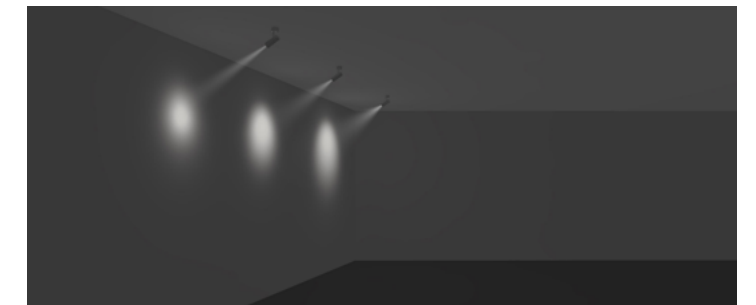
POWER	VF	CURRENT	CCT	LUMINOUS FLUX
8W	31V	250mA	2700K	630~661 lm
			3000K	632~664 lm
10W	31V	300mA	2700K	705~734 lm
			3000K	740~779 lm
12W	31V	350mA	2700K	802~825 lm
			3000K	821~864 lm
15W	31V	400mA	2700K	895~922 lm
			3000K	920~971 lm

Test standards:
Citizen COB, CRI 90, tolerance range of electrical and optical parameters: ±10%.

Light Distribution

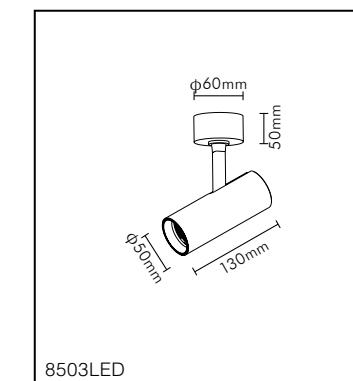
15W 15° 3000K Ra90			15W 24° 3000K Ra90			15W 38° 3000K Ra90		
H(m)	E(lx)	D(m)	H(m)	E(lx)	D(m)	H(m)	E(lx)	D(m)
1	10074	0.25	1	5448	0.42	1	2231	0.69
2	2519	0.51	2	1362	0.85	2	558	1.38
3	1119	0.76	3	605	1.27	3	248	2.07
4	630	1.02	4	341	1.69	4	139	2.76
5	403	1.27	5	218	2.11	5	89	3.45

Light effect and planning aid



Emphasis of objects or architectural elements.

Technical drawing



Quickinfo

GENERAL
Surface mounted
IP20

LED
CITIZEN
8W, 10W, 12W, 15W
2700K, 3000K, 4000K, 5000K
50000h@L80
CRI≥90
SDCM: 3

OPTICAL
Direct illumination
Beam angle 15°/24°/38°
Optical accessories

ELECTRICAL
NON-DIM
PHASE

PHYSICAL
Aluminum



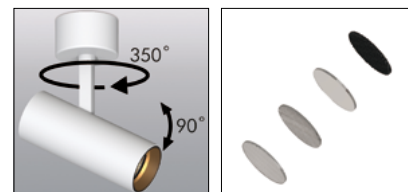
Description

Surface mounted installation, adjustable and flexible direction, minimalist design, suitable for places without ceiling.

Applications

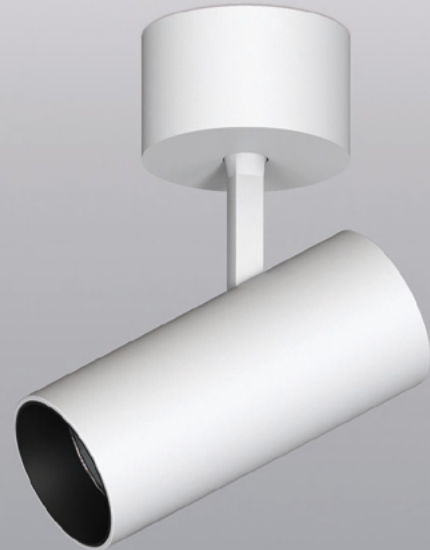
Shopping malls, Museums, Galleries, Exhibition halls, Hotels, Restaurants, Bars, Convention centers, etc.

Features



LUPO

8702LED



Standard configuration

COLOUR TEMPERATURE
2700K
3000K

CONTROL
NON-DIM

OPTICAL
15°/24°/38°

COLOUR(housing)
White

COLOUR(reflector)
Black

Extended configuration

COLOUR TEMPERATURE
4000K
5000K

CONTROL
PHASE

COLOUR(housing)
Black

Parameters

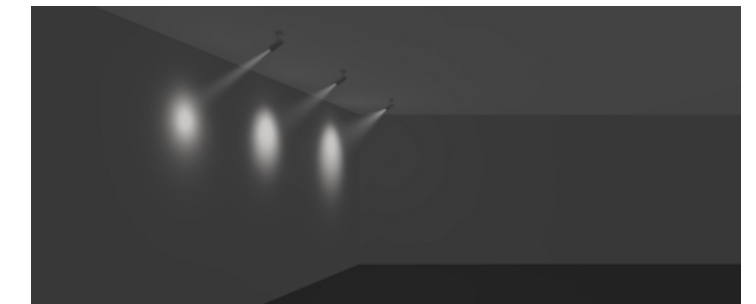
POWER	VF	CURRENT	CCT	LUMINOUS FLUX
15W	36V	350mA	2700K	945~1064 lm
			3000K	1072~1122 lm
20W	36V	500mA	2700K	1303~1468 lm
			3000K	1500~1570 lm
25W	36V	600mA	2700K	1622~1760 lm
			3000K	1716~1803 lm

Test standards:
Citizen COB, CRI 90, tolerance range of electrical and optical parameters: ±10%.

Light Distribution

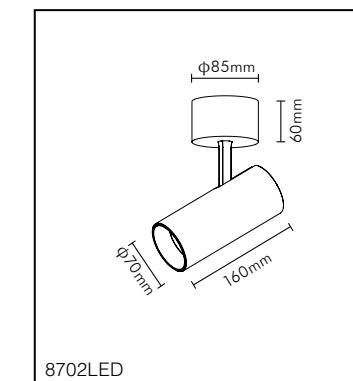
25W 15° 3000K Ra90			25W 24° 3000K Ra90			25W 38° 3000K Ra90		
H(m)	E(lx)	D(m)	H(m)	E(lx)	D(m)	H(m)	E(lx)	D(m)
3	1848	0.84	3	924	1.27	3	474	1.98
4	1039	1.12	4	520	1.69	4	267	2.65
5	665	1.41	5	333	2.11	5	171	3.31
6	462	1.69	6	231	2.53	6	119	3.97
7	340	1.97	7	170	2.96	7	87	4.63

Light effect and planning aid



Emphasis of objects or architectural elements.

Technical drawing



Quickinfo

GENERAL
Surface mounted
IP20

LED
CITIZEN
15W, 20W, 25W
2700K, 3000K, 4000K, 5000K
50000h@L80
CRI≥90
SDCM: 3

OPTICAL
Direct illumination
Beam angle 15°/24°/38°
Optical accessories

ELECTRICAL
NON-DIM
PHASE

PHYSICAL
Aluminum



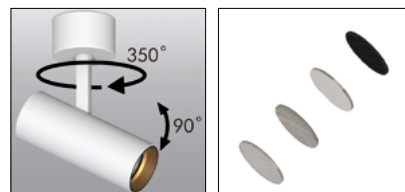
Description

Surface mounted installation, adjustable and flexible direction, minimalist shape and highpower design, suitable for higher and larger places without ceiling.

Applications

Shopping malls, Museums, Galleries, Exhibition halls, Hotels, Restaurants, Bars, Convention centers, etc.

Features





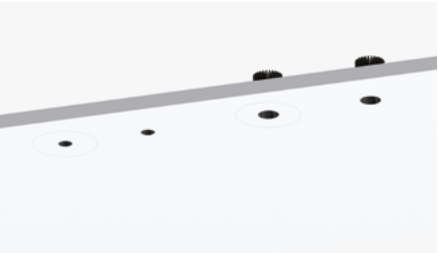

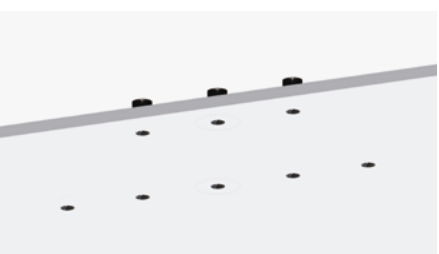
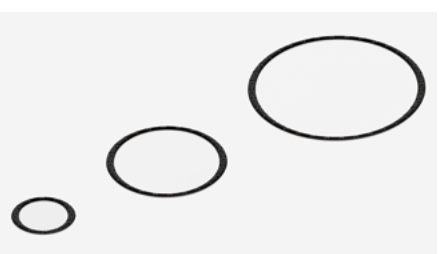
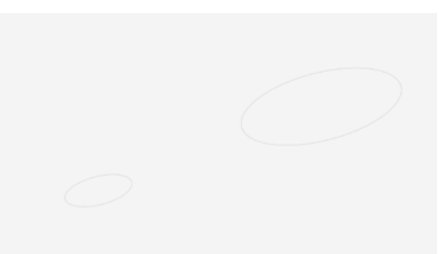
Suite des produits TOME 2

SOMMAIRE

TOME 2

STELLA.....	424
LINEA.....	478
MINILINEA.....	524
PICCOLO.....	558
GRIGLIA.....	584
TITAMIA.....	668
ABBA	830
VENERE illumination	866

STELLA

Single		1231LED... ϕ 23mm (Built-in access port).....	434
		1232LED... ϕ 23mm.....	434
		1351LED... ϕ 35mm (Built-in access port).....	438
		1352LED... ϕ 35mm.....	438
Array ϕ 23mm		1231LED-3... Trinity array design.....	450
		1231LED-5... Five in one array design.....	452
Array ϕ 35mm		1351LED-3... Trinity array design.....	458
		1351LED-5... Five in one array design.....	460
Array ϕ 23mm		1231LED-12... 12 heads round integrated design.....	468
		1231LED-24... 24 heads round integrated design.....	470
		1231LED-36... 36 heads round integrated design.....	472
Access panel		110.....	477
		450.....	477



STELLA

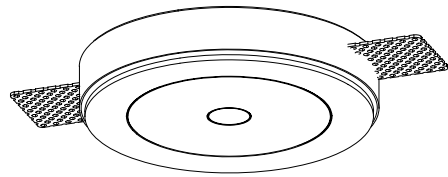
Stars,
The eyes of the universe,
Since ancient times,
Because of stars,
We looking up at the starlit sky,
Trying to explore the universe.

Light,
The eye of the life,
Not just for us to see,
But feel more about life,
Light up life of love,
With the light of love,
That's Twinklestar.

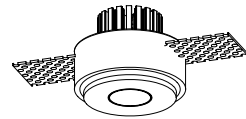




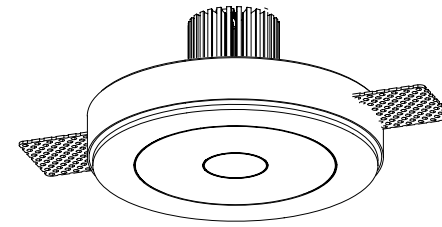
1231LED
5W



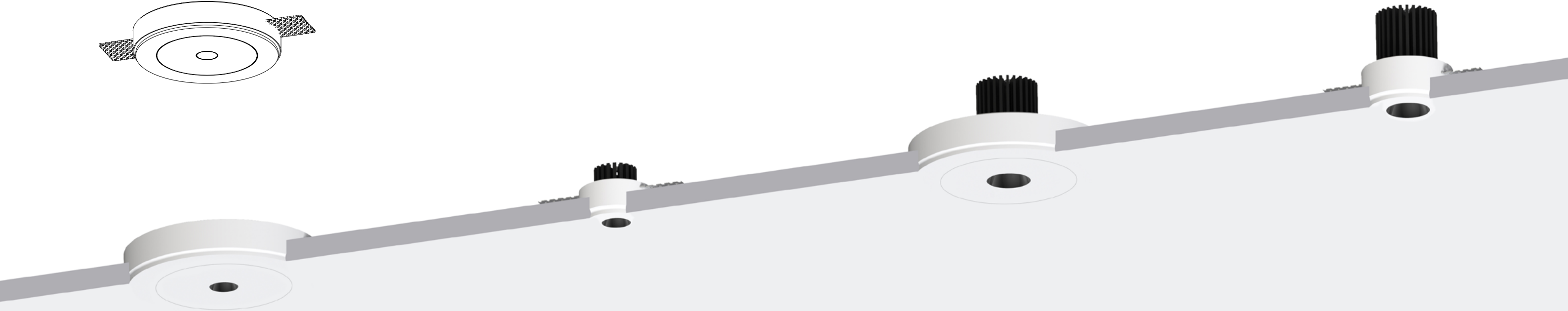
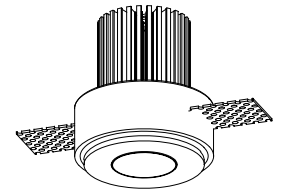
1232LED
5W



1351LED
7W / 10W

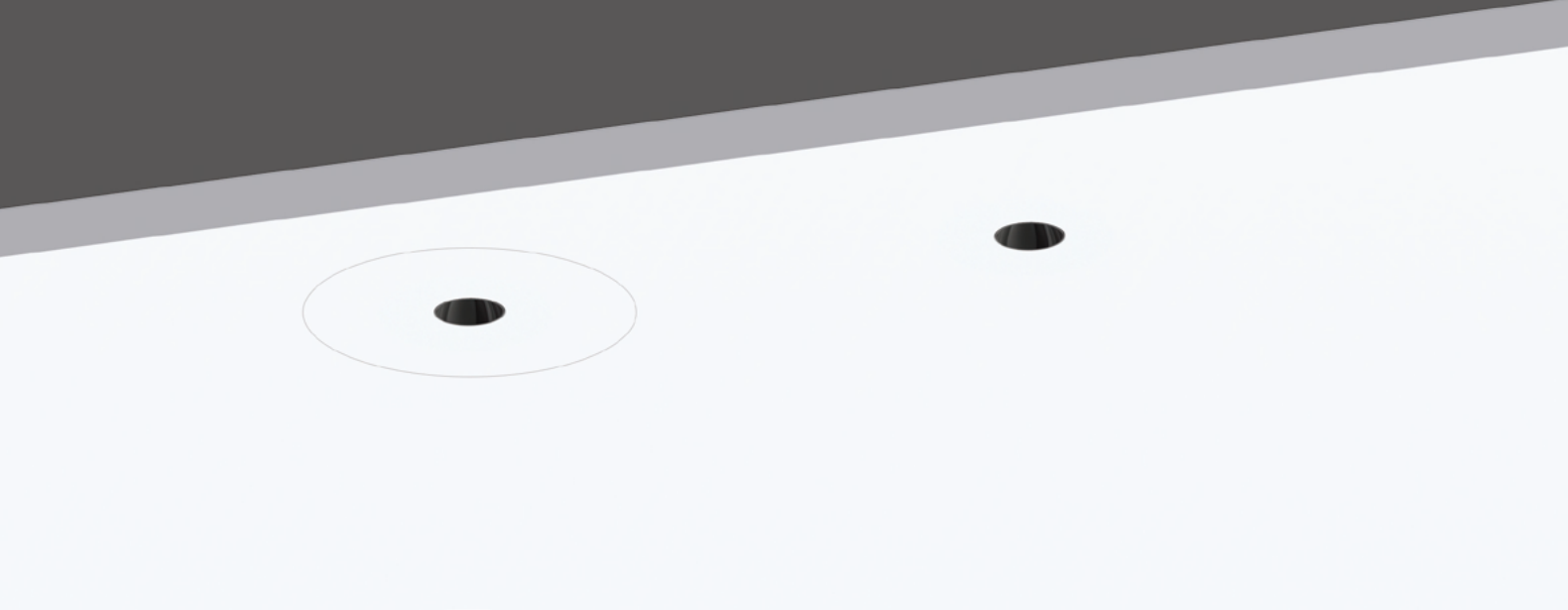


1352LED
7W / 10W



STELLA

1231LED & 1232LED



Quickinfo

GENERAL
Recessed
IP20

LED
CREE ⇄
5W
2700K, 3000K, 4000K, 5000K
50000h@L80
CRI≥90
SDCM: 5

OPTICAL
Direct illumination
Beam angle 20°/30°/40°
Optical accessories

ELECTRICAL
NON-DIM,
PHASE,
1-10V,
DALI,
BLUETOOTH

PHYSICAL
Aluminum



Description

Only 23mm light outlet design, hide the lamp perfectly, realizing the effect of invisible light. Gypsum embedded parts and ceiling are perfectly integrated.

Applications

Showrooms, Restaurants, Star-rated Hotels, Villas, Residential buildings, etc.

Features



Standard configuration

COLOUR TEMPERATURE
2700K
3000K

CONTROL
NON-DIM

OPTICAL
20°/30°/40°

COLOUR(housing)
Black

COLOUR(reflector)
Black chrome

Extended configuration

COLOUR TEMPERATURE
4000K
5000K

CONTROL
DALI, PHASE, 1-10V

Options on request

CONTROL
BLUETOOTH

Parameters

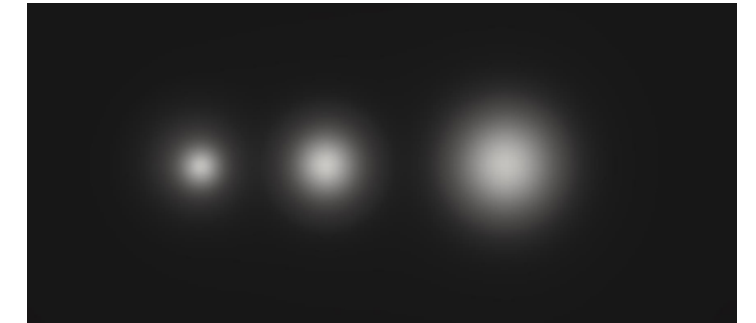
POWER	VF	CURRENT	CCT	LUMINOUS FLUX
5W	12V	350mA	2700K	212~267 lm
			3000K	264~284 lm

Test standards:
CREE COB, CRI 90, tolerance range of electrical and optical parameters: ±10%.

Light Distribution

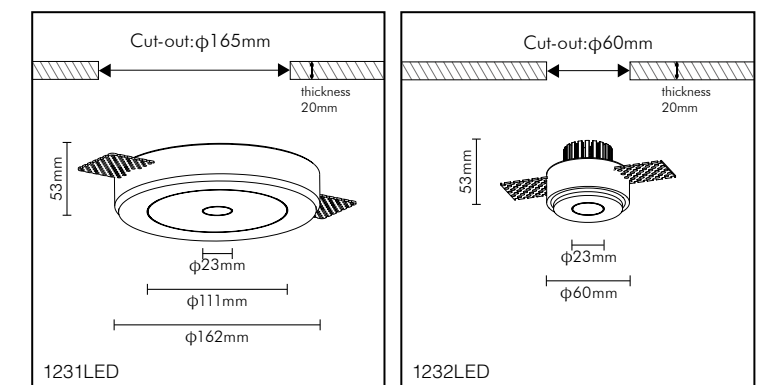
5W 20° 3000K Ra90			5W 30° 3000K Ra90			5W 40° 3000K Ra90		
H(m)	E(lx)	D(m)	H(m)	E(lx)	D(m)	H(m)	E(lx)	D(m)
1	1021	0.39	1	694	0.61	1	546	0.74
2	255	0.78	2	174	1.21	2	137	1.49
3	113	1.17	3	77	1.82	3	61	2.23
4	64	1.56	4	43	2.43	4	34	2.97
5	41	1.96	5	28	3.03	5	22	3.72

Light effect and planning aid



Emphasis of objects or architectural elements.

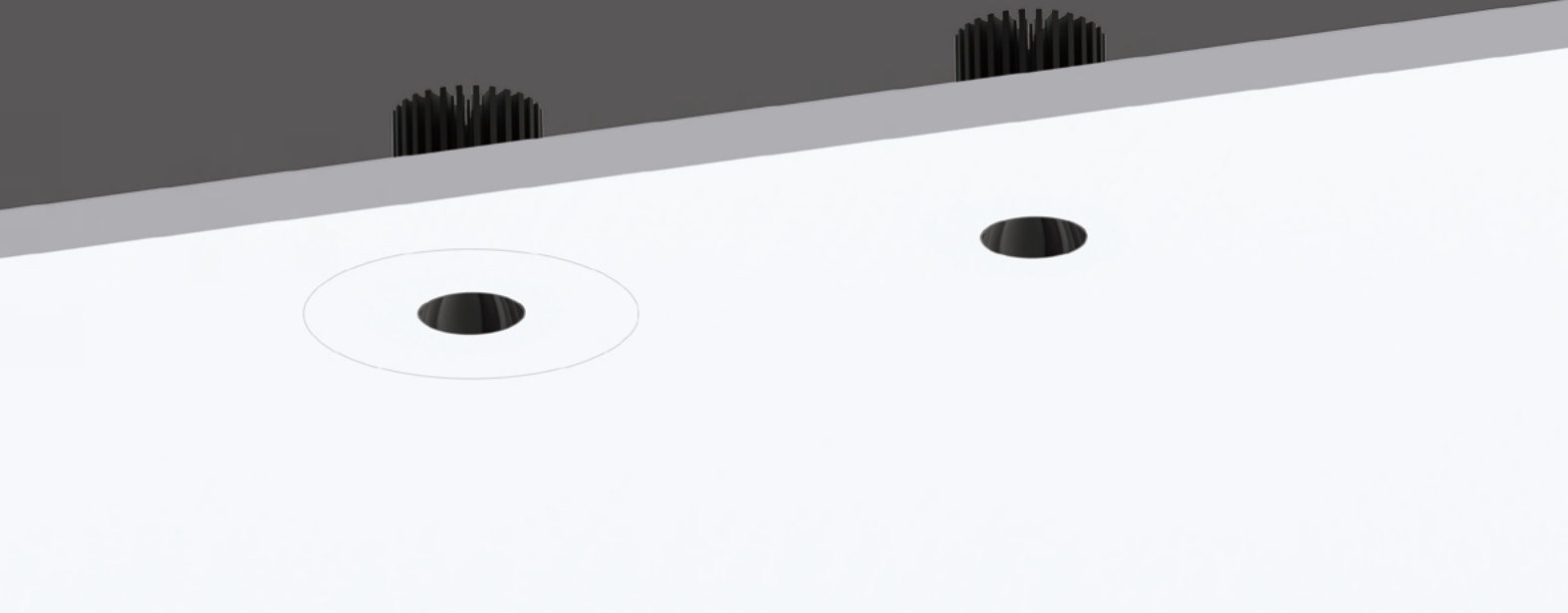
Mounting dimension





STELLA

1351LED & 1352LED



Quickinfo

GENERAL
Recessed
IP20

LED
CREE ⇄
7W, 10W
2700K, 3000K, 4000K, 5000K
50000h@L80
CRI≥90
SDCM: 5

OPTICAL
Direct illumination
Beam angle 20°/30°
Optical accessories

ELECTRICAL
NON-DIM,
PHASE,
1-10V,
DALI,
BLUETOOTH

PHYSICAL
Aluminum



Description

Only 35mm light outlet design, hide the light while providing higher power, to meet the high brightness requirements.

Applications

Showrooms, Restaurants, Star-rated Hotels, Villas, Residential buildings, etc.

Features



Standard configuration

COLOUR TEMPERATURE
2700K
3000K

CONTROL
NON-DIM

OPTICAL
20°/30°

COLOUR(housing)
Black

COLOUR(reflector)
Black chrome

Extended configuration

COLOUR TEMPERATURE
4000K
5000K

CONTROL
DALI, PHASE, 1-10V

Options on request

CONTROL
BLUETOOTH

Parameters

POWER	VF	CURRENT	CCT	LUMINOUS FLUX
7W	12V	500mA	2700K	348~392 lm
			3000K	352~393 lm
10W	12V	700mA	2700K	409~468 lm
			3000K	412~475 lm

Test standards:
CREE COB, CRI 90, tolerance range of electrical and optical parameters: ±10%.

Light Distribution

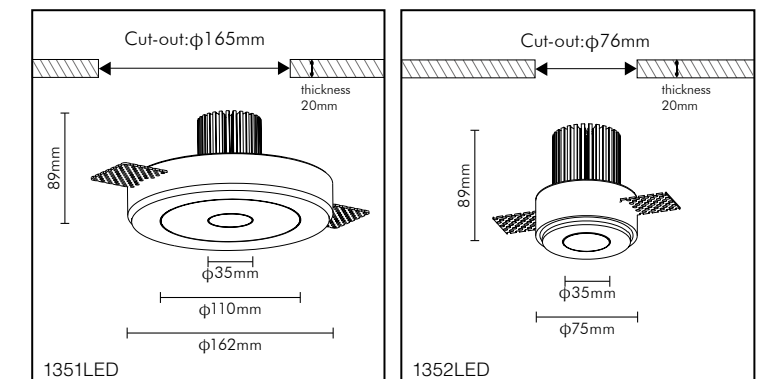
10W 20° 3000K Ra90			10W 30° 3000K Ra90		
H(m)	E lx	D(m)	H(m)	E lx	D(m)
1	2494	0.34	1	1215	0.52
2	624	0.68	2	304	1.05
3	277	1.02	3	135	1.57
4	156	1.36	4	76	2.10
5	100	1.70	5	49	2.62

Light effect and planning aid



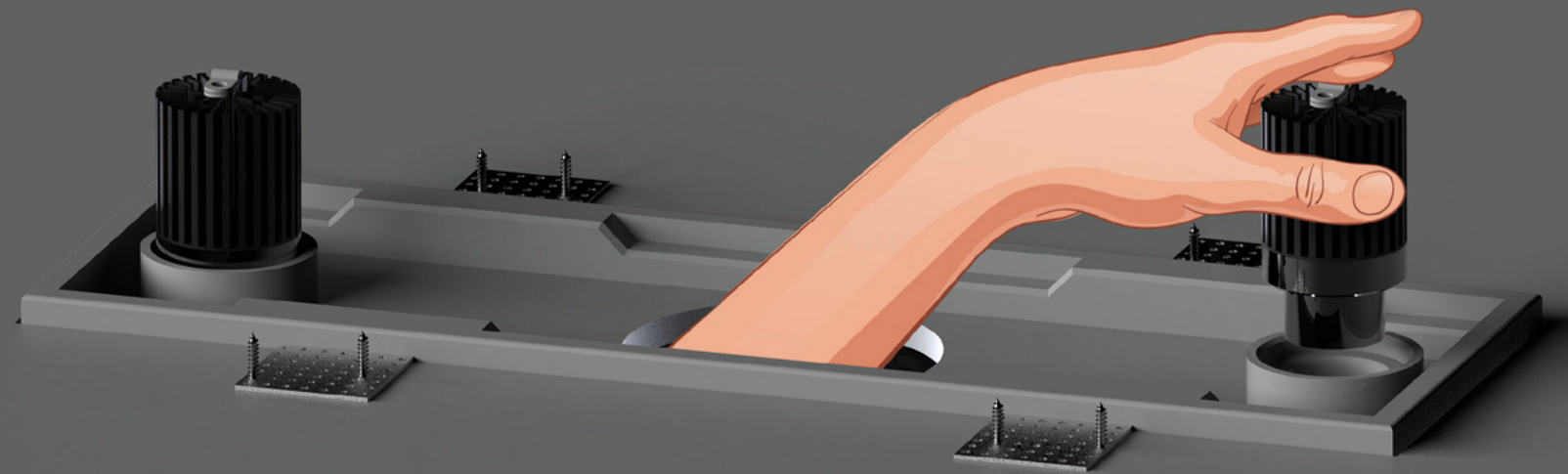
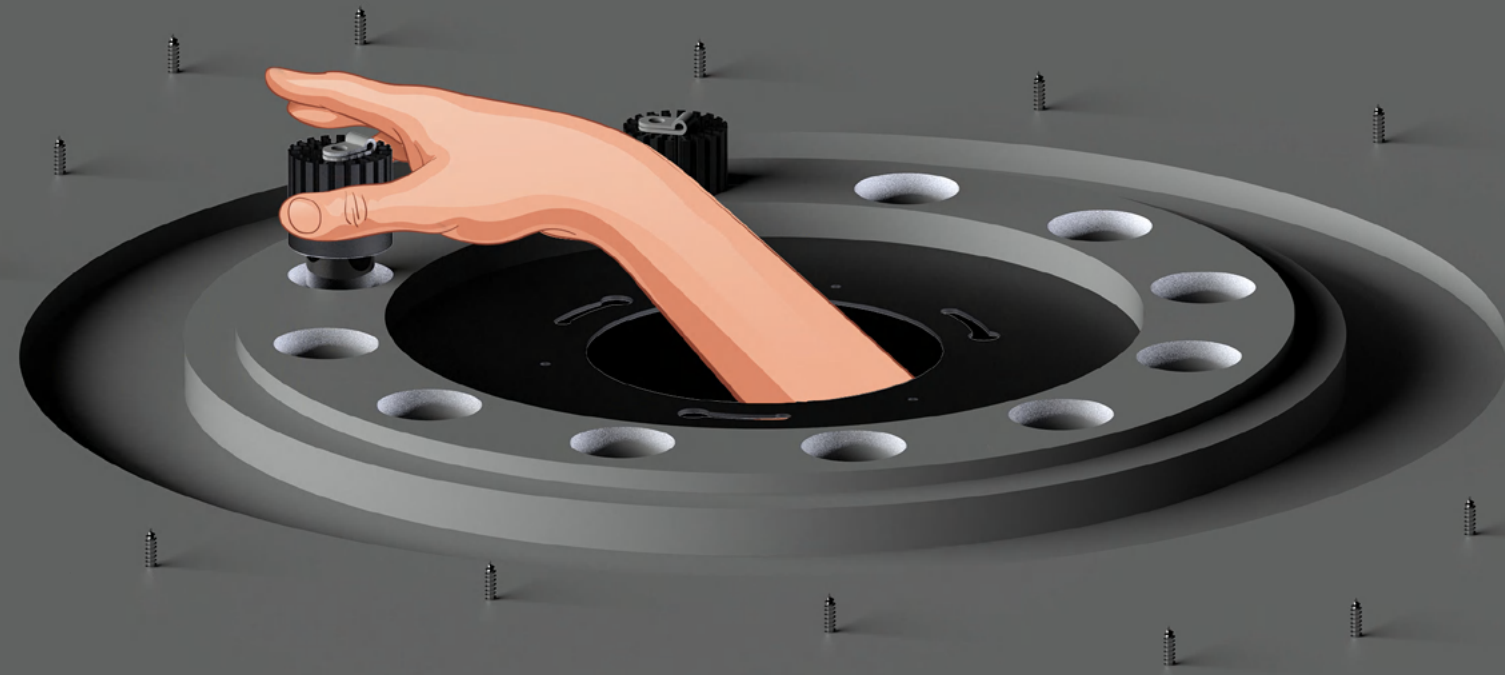
Emphasis of objects or architectural elements.

Mounting dimension

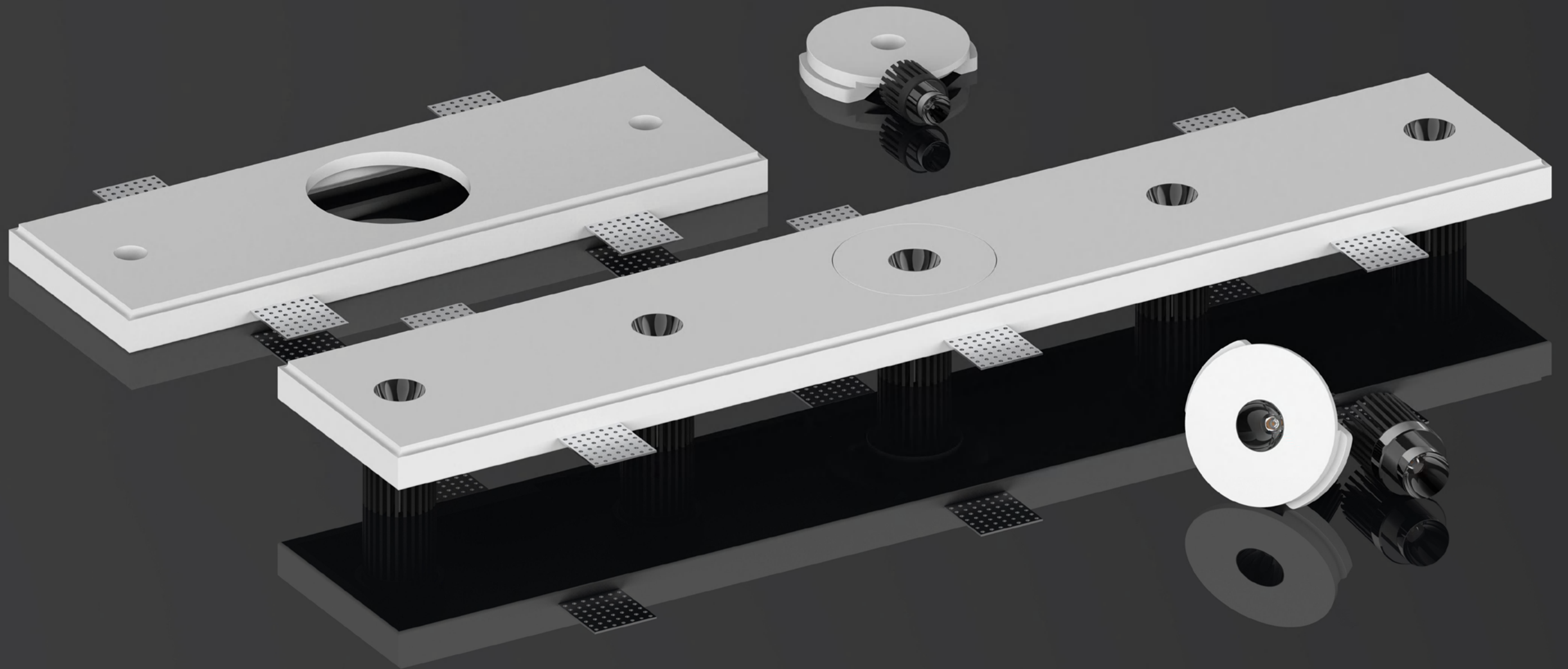




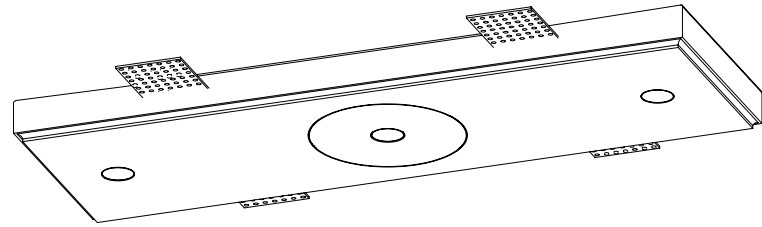




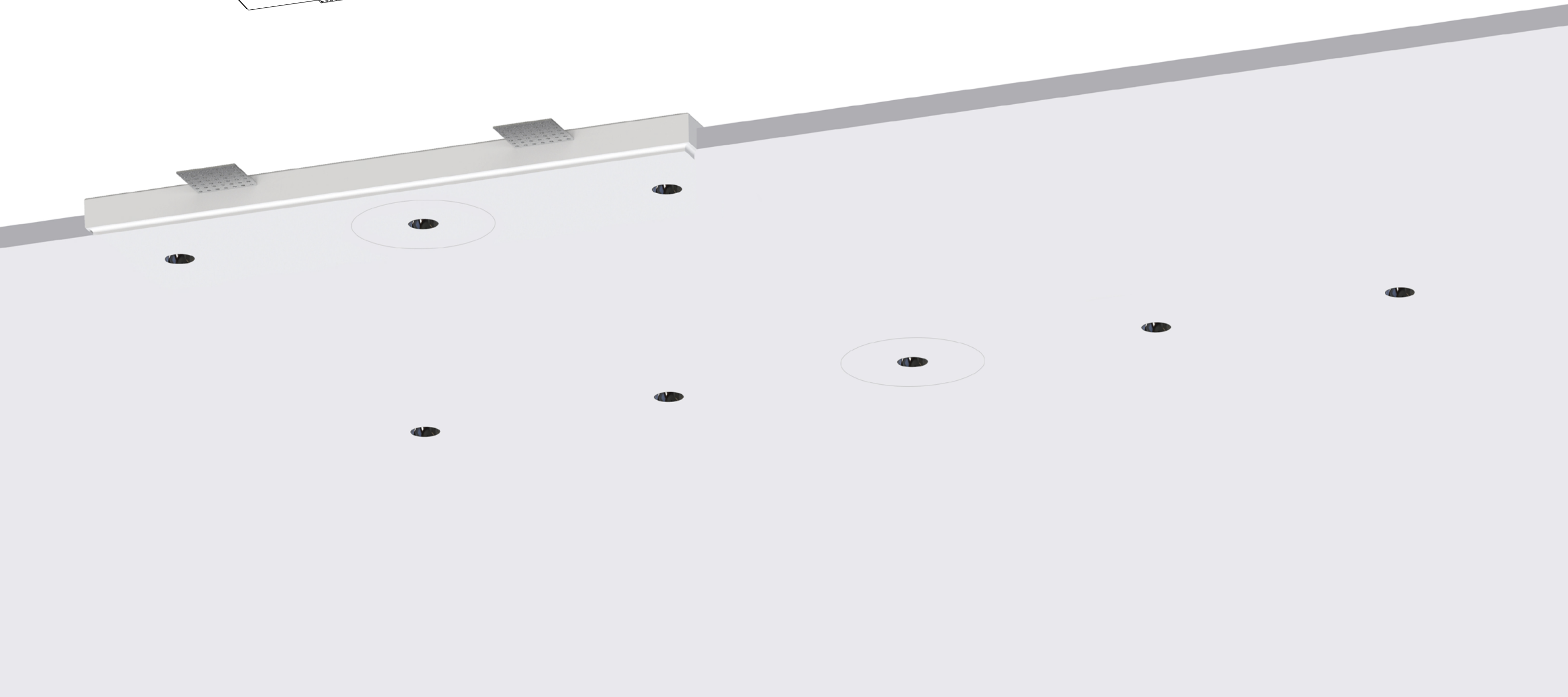
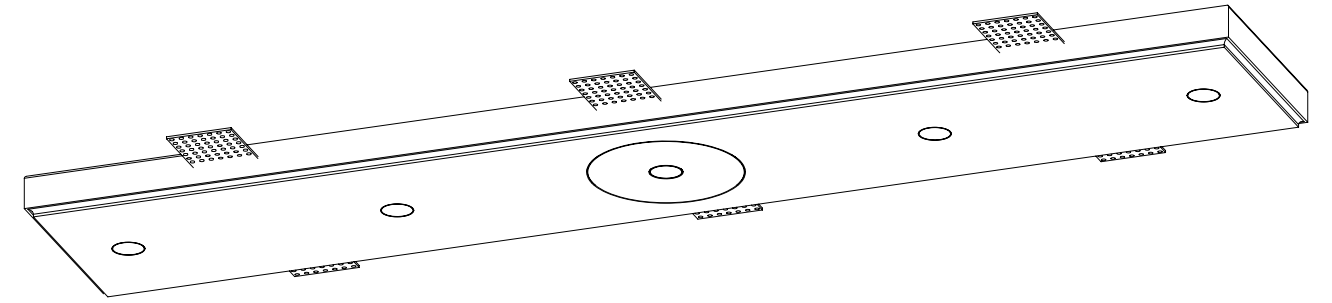
Installation
simple & rapide



1231LED-3
3x5W

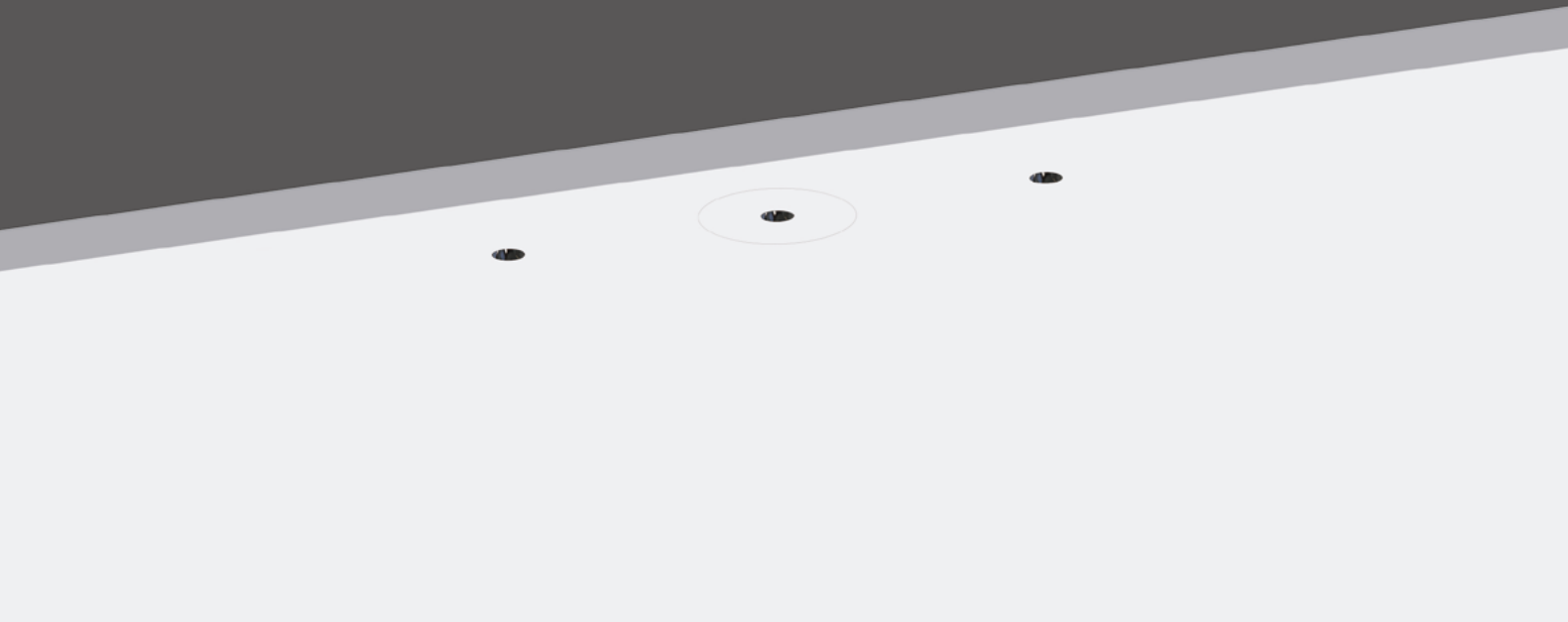


1231LED-5
5x5W



STELLA

1231LED-3



Quickinfo

GENERAL
Recessed
IP20

LED
CREE ⇄
3x5W
2700K, 3000K, 4000K, 5000K
50000h@L80
CRI≥90
SDCM: 5

OPTICAL
Direct illumination
Beam angle 20°/30°/40°
Optical accessories

ELECTRICAL
NON-DIM,
PHASE,
1-10V,
DALI,
BLUETOOTH

PHYSICAL
Aluminum



Description

Trinity array design, easy installation.
The diameter of the light outlet is only 23mm, which can hide the lamp perfectly and realize the effect of seeing light but not seeing lighting body. At the same time, it can also be used as an electrical appliance maintenance port.

Applications

Showrooms, Restaurants, Star-rated Hotels, Villas, Residential buildings, etc.

Features



Standard configuration

COLOUR TEMPERATURE
2700K
3000K

CONTROL
NON-DIM

OPTICAL
20°/30°/40°

COLOUR(housing)
Black

COLOUR(reflector)
Black chrome

Extended configuration

COLOUR TEMPERATURE
4000K
5000K

CONTROL
DALI, PHASE, 1-10V

Options on request

CONTROL
BLUETOOTH

Parameters

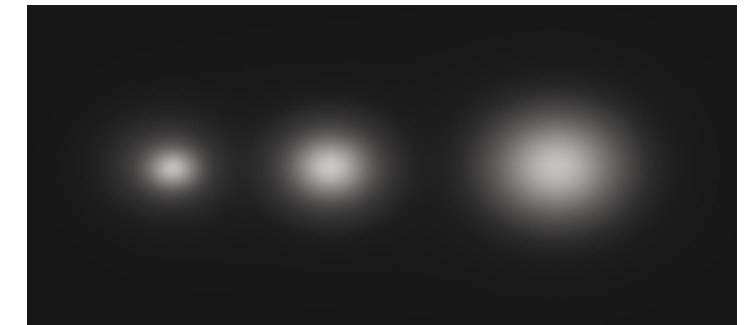
POWER	VF	CURRENT	CCT	LUMINOUS FLUX
3x5W	12V	350mA	2700K	636~801 lm
			3000K	792~852 lm

Test standards:
CREE COB, CRI 90, tolerance range of electrical and optical parameters: ±10%.

Light Distribution

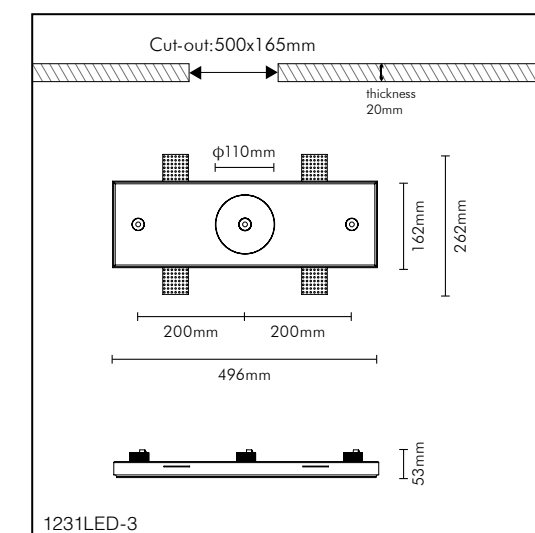
5W 20° 3000K Ra90			5W 30° 3000K Ra90			5W 40° 3000K Ra90		
H(m)	E(lx)	D(m)	H(m)	E(lx)	D(m)	H(m)	E(lx)	D(m)
1	1021	0.39	1	694	0.61	1	546	0.74
2	255	0.78	2	174	1.21	2	137	1.49
3	113	1.17	3	77	1.82	3	61	2.23
4	64	1.56	4	43	2.43	4	34	2.97
5	41	1.96	5	28	3.03	5	22	3.72

Light effect and planning aid



Emphasis of objects or architectural elements.

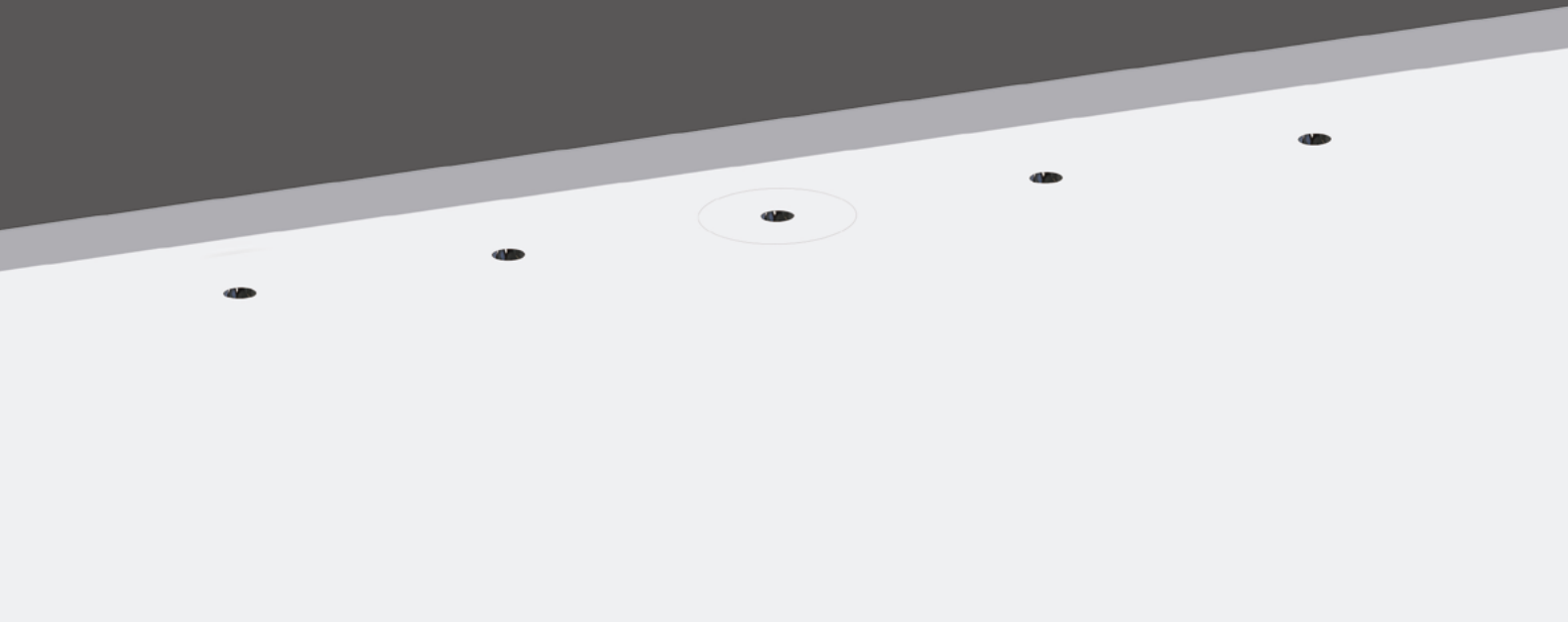
Mounting dimension



1231LED-3

STELLA

1231LED-5



Quickinfo

GENERAL
Recessed
IP20

LED
CREE ⇄
5x5W
2700K, 3000K, 4000K, 5000K
50000h@L80
CRI≥90
SDCM: 5

OPTICAL
Direct illumination
Beam angle 20°/30°/40°
Optical accessories

ELECTRICAL
NON-DIM,
PHASE,
1-10V,
DALI,
BLUETOOTH

PHYSICAL
Aluminum



Description

Five in one array design, easy installation. The diameter of the lamp outlet is only 23mm, which can hide the lamp perfectly and realize the effect of seeing light but not seeing lighting body. At the same time, it can also be used as an electrical appliance maintenance port.

Applications

Showrooms, Restaurants, Star-rated Hotels, Villas, Residential buildings, etc.

Features



Standard configuration

COLOUR TEMPERATURE
2700K
3000K

CONTROL
NON-DIM

OPTICAL
20°/30°/40°

COLOUR(housing)
Black

COLOUR(reflector)
Black chrome

Extended configuration

COLOUR TEMPERATURE
4000K
5000K

CONTROL
DALI, PHASE, 1-10V

Options on request

CONTROL
BLUETOOTH

Parameters

POWER	VF	CURRENT	CCT	LUMINOUS FLUX
5x5W	12V	350mA	2700K 3000K	1060~1335 lm 1320~1420 lm

Test standards:
CREE COB, CRI 90, tolerance range of electrical and optical parameters: ±10%.

Light Distribution

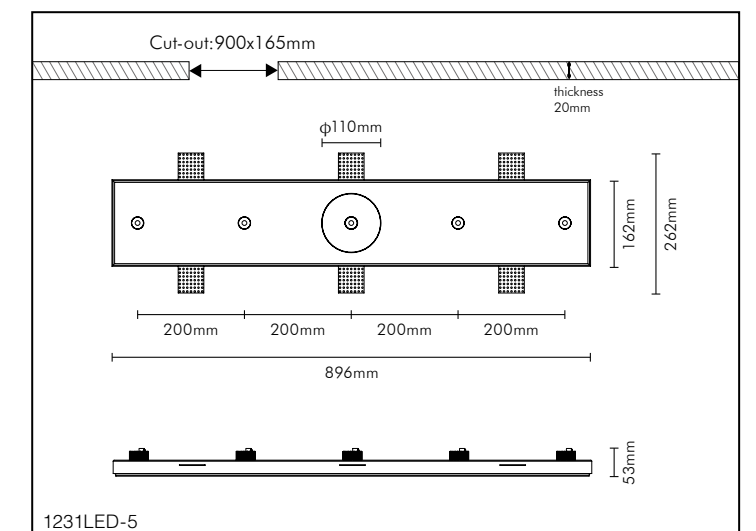
5W 20° 3000K Ra90			5W 30° 3000K Ra90			5W 40° 3000K Ra90		
H(m)	E(lx)	D(m)	H(m)	E(lx)	D(m)	H(m)	E(lx)	D(m)
1	1021	0.39	1	694	0.61	1	546	0.74
2	255	0.78	2	174	1.21	2	137	1.49
3	113	1.17	3	77	1.82	3	61	2.23
4	64	1.56	4	43	2.43	4	34	2.97
5	41	1.96	5	28	3.03	5	22	3.72

Light effect and planning aid



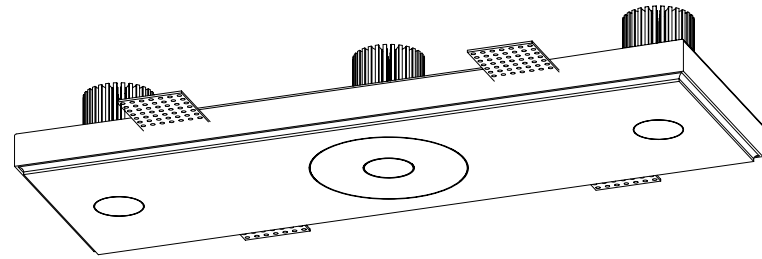
Emphasis of objects or architectural elements.

Mounting dimension

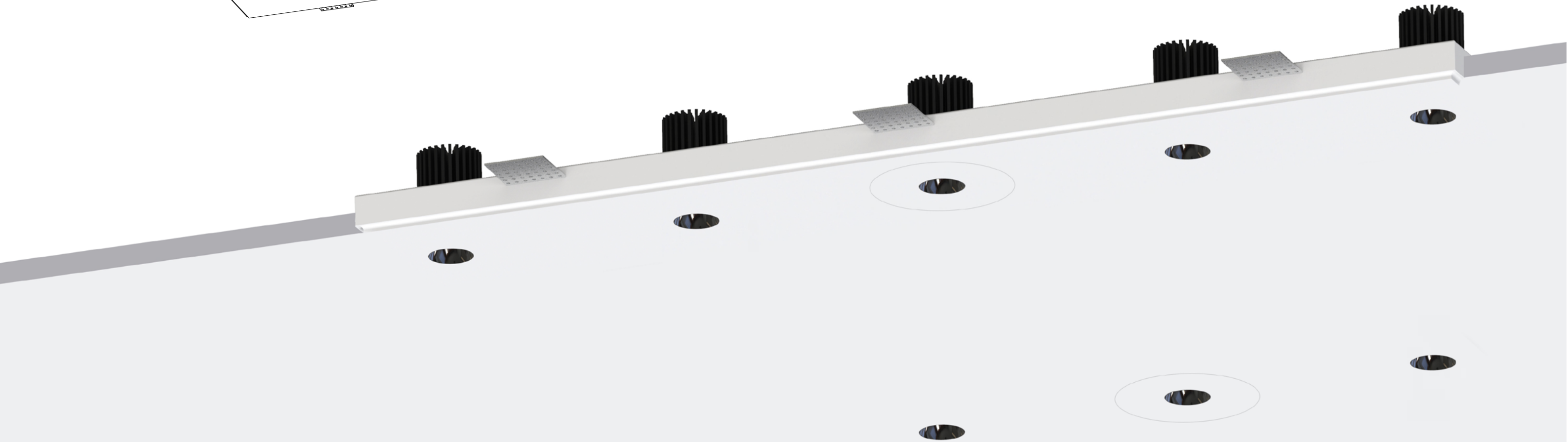
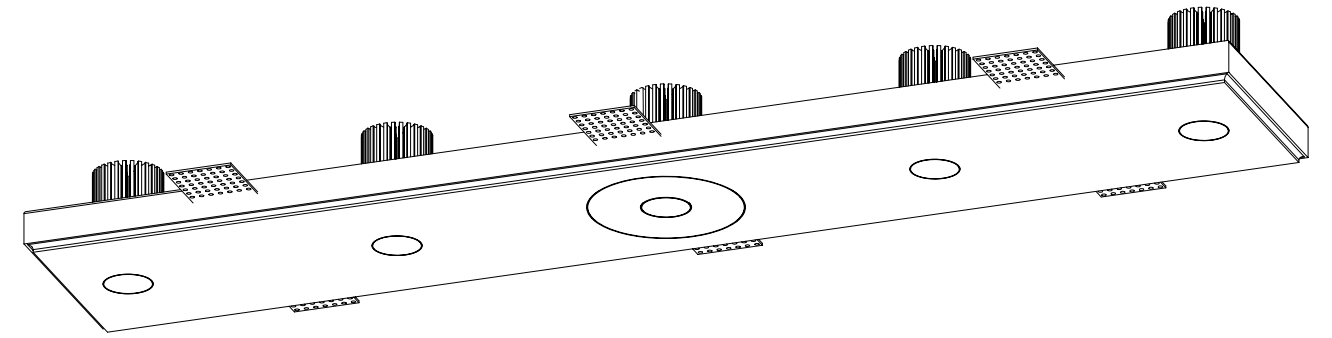




1351LED-3
3x7W, 3x10W

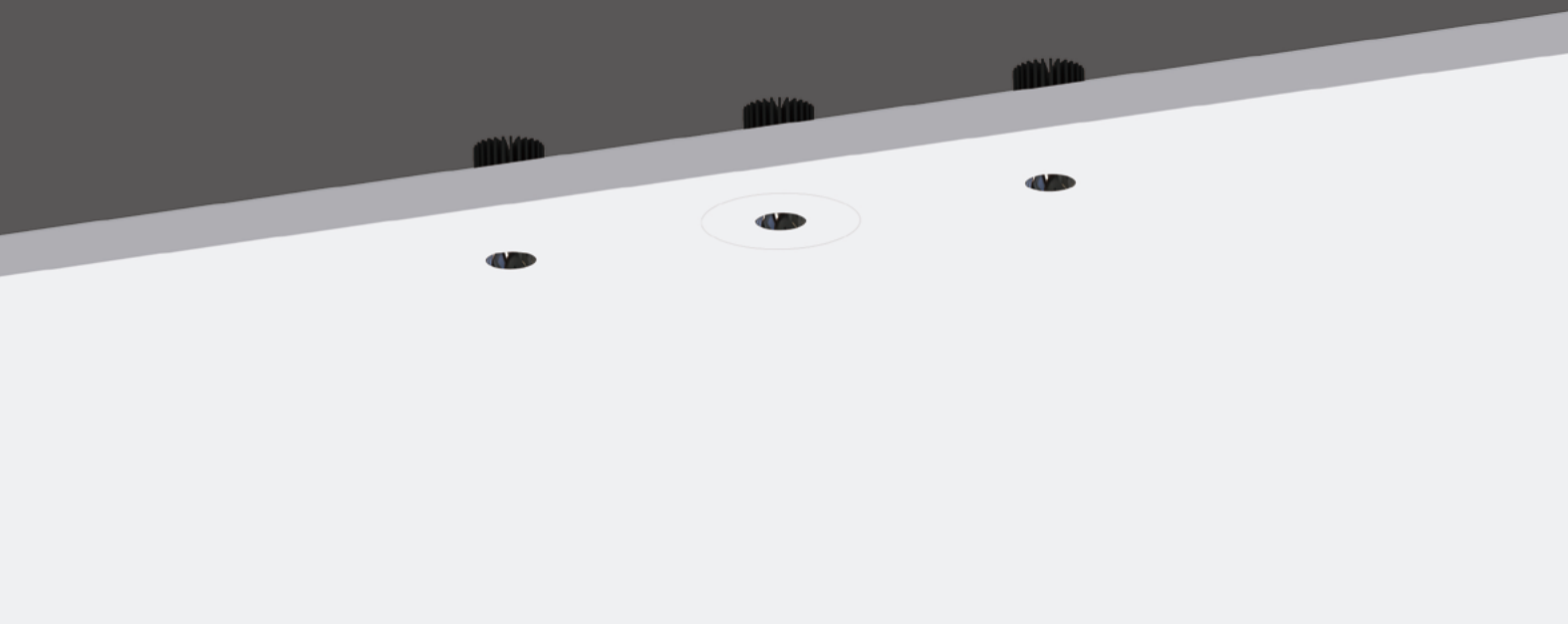


1351LED-5
5x7W, 5x10W



STELLA

1351LED-3



Quickinfo

GENERAL
Recessed
IP20

LED
CREE ⇄
3x7W, 3x10W
2700K, 3000K, 4000K, 5000K
50000h@L80
CRI≥90
SDCM: 5

OPTICAL
Direct illumination
Beam angle 20°/30°
Optical accessories

ELECTRICAL
NON-DIM,
PHASE,
1-10V,
DALI,
BLUETOOTH

PHYSICAL
Aluminum



Description

Trinity array design, easy installation. The light outlet diameter is 35mm, high-power design, which can hide the lamp perfectly, realize the effect of seeing light but not seeing lighting body, and can also be used as the maintenance port of electrical appliances.

Applications

Showrooms, Restaurants, Star-rated Hotels, Villas, Residential buildings, etc.

Features



Standard configuration

COLOUR TEMPERATURE
2700K
3000K

CONTROL
NON-DIM

OPTICAL
20°/30°

COLOUR(housing)
Black

COLOUR(reflector)
Black chrome

Extended configuration

COLOUR TEMPERATURE
4000K
5000K

CONTROL
DALI, PHASE, 1-10V

Options on request

CONTROL
BLUETOOTH

Parameters

POWER	VF	CURRENT	CCT	LUMINOUS FLUX
3x7W	12V	500mA	2700K	1044~1176 lm
			3000K	1056~1179 lm
3x10W	12V	700mA	2700K	1227~1404 lm
			3000K	1236~1425 lm

Test standards:
CREE COB, CRI 90, tolerance range of electrical and optical parameters: ±10%.

Light Distribution

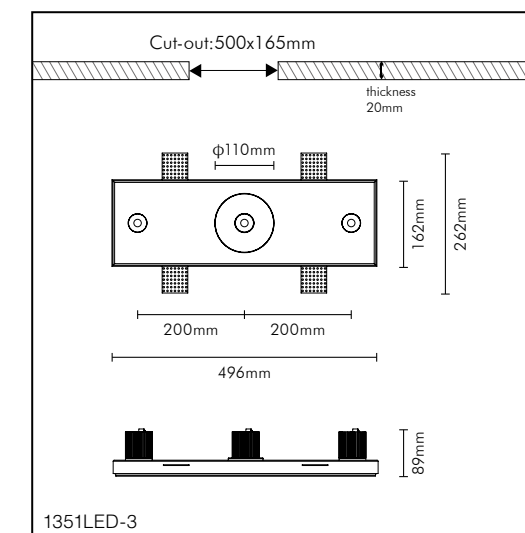
10W 20° 3000K Ra90			10W 30° 3000K Ra90		
H(m)	E(x)	D(m)	H(m)	E(x)	D(m)
1	2494	0.34	1	1215	0.52
2	624	0.68	2	304	1.05
3	277	1.02	3	135	1.57
4	156	1.36	4	76	2.10
5	100	1.70	5	49	2.62

Light effect and planning aid



Emphasis of objects or architectural elements.

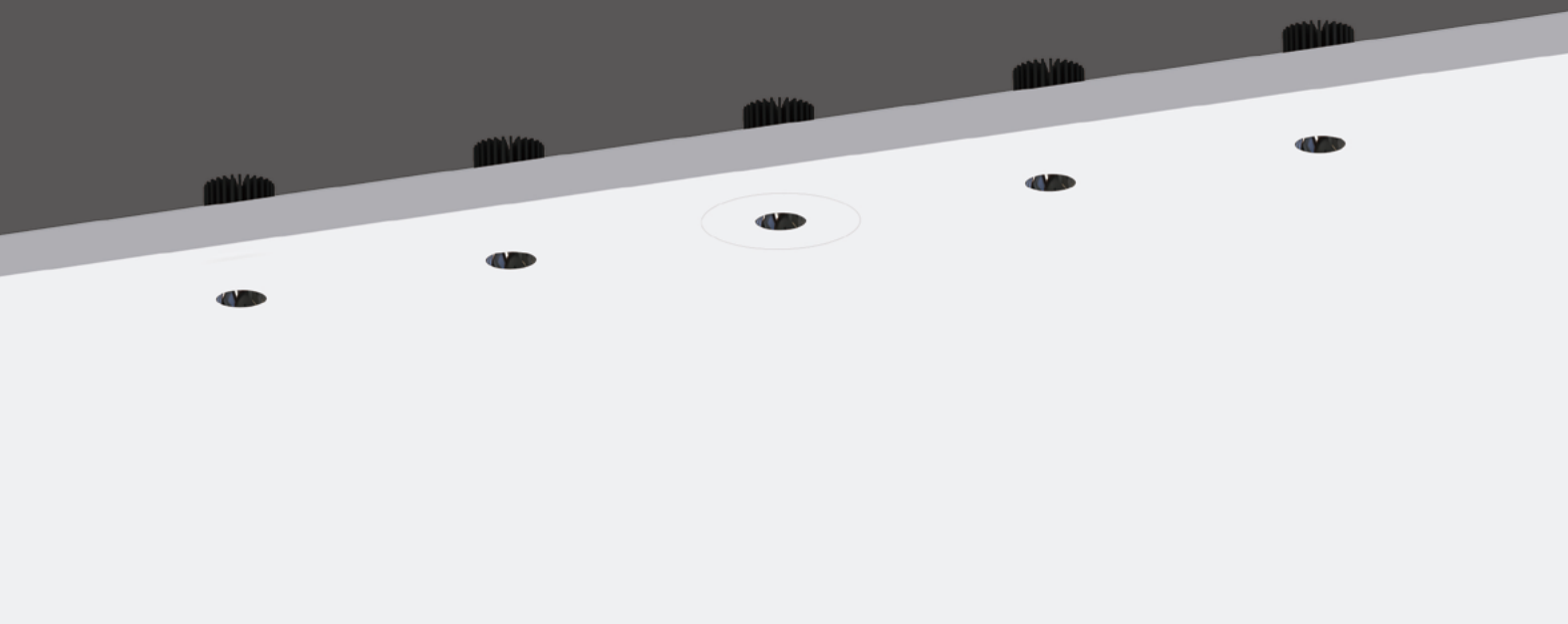
Mounting dimension



1351LED-3

STELLA

1351LED-5



Quickinfo

GENERAL
Recessed
IP20

LED

CREE ⇄
5x7W, 5x10W
2700K, 3000K, 4000K, 5000K
50000h@L80
CRI≥90
SDCM: 5

OPTICAL

Direct illumination
Beam angle 20°/30°
Optical accessories

ELECTRICAL

NON-DIM,
PHASE,
1-10V,
DALI,
BLUETOOTH

PHYSICAL

Aluminum



Description

Five in one array design, easy installation. The light outlet diameter is 35mm, high-power design, which can hide the lamp perfectly, realize the effect of seeing light but not seeing lighting body, and can also be used as the maintenance port of electrical appliances.

Applications

Showrooms, Restaurants, Star-rated Hotels, Villas, Residential buildings, etc.

Features



Standard configuration

COLOUR TEMPERATURE

2700K
3000K

CONTROL

NON-DIM

OPTICAL

20°/30°

COLOUR(housing)

Black

COLOUR(reflector)

Black chrome

Extended configuration

COLOUR TEMPERATURE

4000K
5000K

CONTROL

DALI, PHASE, 1-10V

Options on request

CONTROL

BLUETOOTH

Parameters

POWER	VF	CURRENT	CCT	LUMINOUS FLUX
5x7W	12V	500mA	2700K	1740~1960 lm
			3000K	1760~1965 lm
5x10W	12V	700mA	2700K	2045~2340 lm
			3000K	2060~2375 lm

Test standards:
CREE COB, CRI 90, tolerance range of electrical and optical parameters: ±10%.

Light Distribution

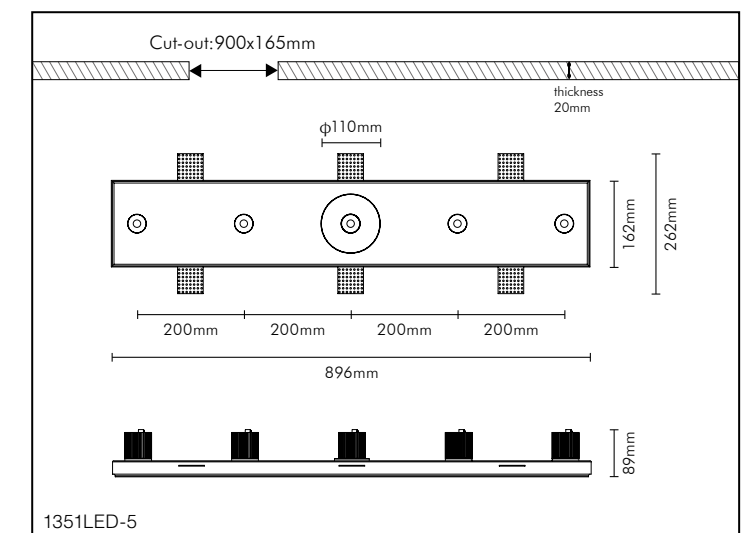
10W 20° 3000K Ra90			10W 30° 3000K Ra90		
H(m)	E(x)	D(m)	H(m)	E(x)	D(m)
1	2494	0.34	1	1215	0.52
2	624	0.68	2	304	1.05
3	277	1.02	3	135	1.57
4	156	1.36	4	76	2.10
5	100	1.70	5	49	2.62

Light effect and planning aid



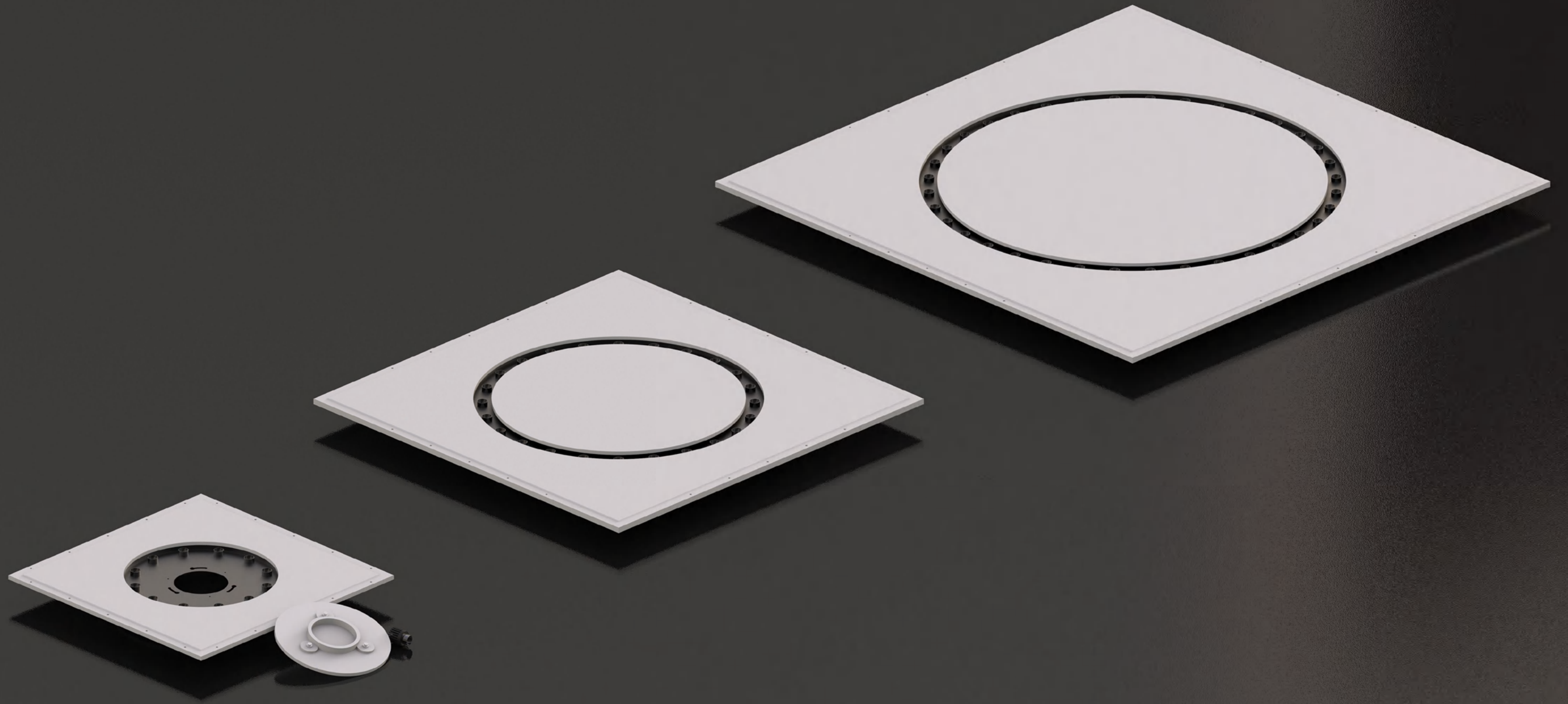
Emphasis of objects or architectural elements.

Mounting dimension

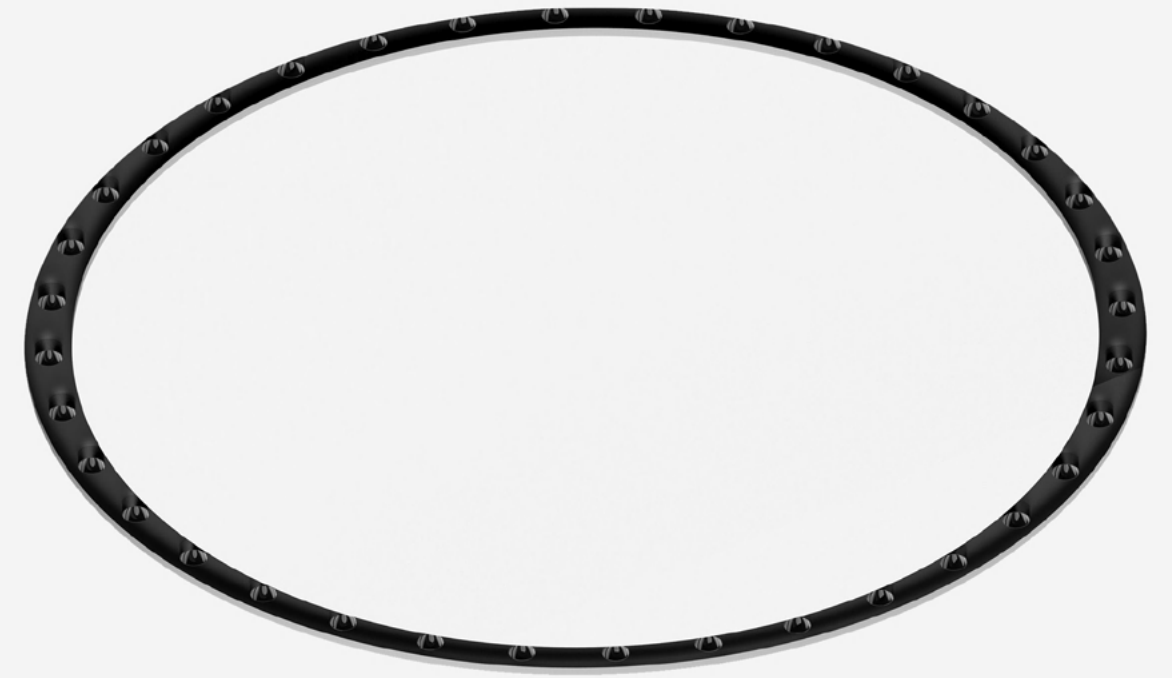


1351LED-5





36 heads



24 heads



12 heads



STELLA

1231LED-12



Quickinfo

GENERAL
Recessed
IP20

LED

OSRAM
12x3W
2700K, 3000K, 4000K, 5000K
50000h@L80
CRI≥90
SDCM: 5

OPTICAL

Direct illumination
Beam angle 15°/24°/34°
Optical accessories

ELECTRICAL

NON-DIM,
PHASE,
1-10V,
DALI,
BLUETOOTH

PHYSICAL

Aluminum



Description

Nice exterior appearance, 12 heads round integrated design, easy installation. 23mm light outlet diameter, which can hide the lamp perfectly and realize the effect of seeing light but not seeing lighting body. At the same time, it can be integrated as part of the ceiling decoration.

Applications

Showrooms, Restaurants, Star-rated Hotels, Villas, Residential buildings, etc.

Features



Standard configuration

COLOUR TEMPERATURE

2700K
3000K

CONTROL

NON-DIM

OPTICAL

15°/24°/34°

COLOUR(housing)

White

COLOUR(reflector)

Dark chrome

Extended configuration

COLOUR TEMPERATURE

4000K
5000K

CONTROL

DALI, PHASE, 1-10V

Options on request

CONTROL

BLUETOOTH

Parameters

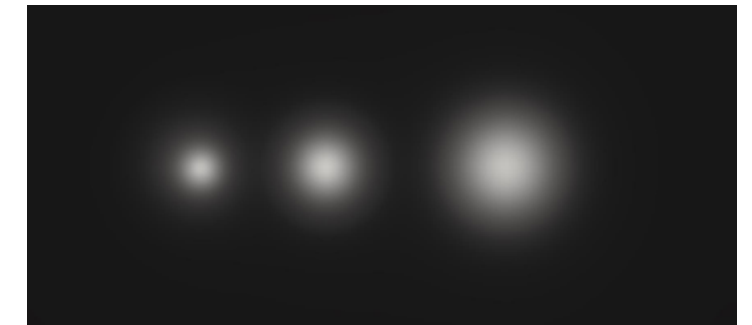
POWER	VF	CURRENT	CCT	LUMINOUS FLUX
12x3W	3V	700mA	2700K 3000K	1824~1884 lm 2004~2052 lm

Test standards:
OSRAM COB, CRI 90, tolerance range of electrical and optical parameters: ±10%.

Light Distribution

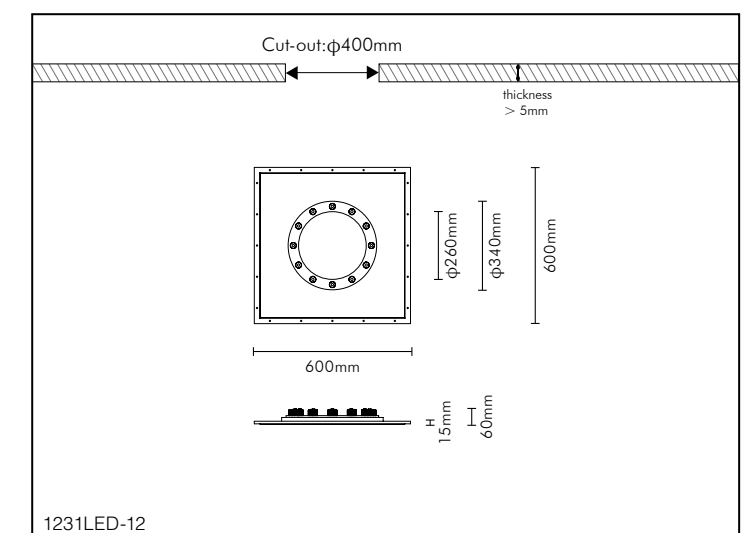
3W 15° 3000K Ra90			3W 24° 3000K Ra90			3W 34° 3000K Ra90		
H(m)	E(lx)	D(m)	H(m)	E(lx)	D(m)	H(m)	E(lx)	D(m)
1	1503	0.26	1	778	0.42	1	353	0.64
2	376	0.52	2	195	0.85	2	88	1.28
3	167	0.78	3	86	1.27	3	39	1.92
4	94	1.03	4	49	1.70	4	22	2.56
5	60	1.29	5	31	2.12	5	14	3.20

Light effect and planning aid



Emphasis of objects or architectural elements.

Mounting dimension



STELLA

1231LED-24



Quickinfo

GENERAL
Recessed
IP20

LED
OSRAM
24x3W
2700K, 3000K, 4000K, 5000K
50000h@L80
CRI≥90
SDCM: 5

OPTICAL
Direct illumination
Beam angle 15°/24°/34°
Optical accessories

ELECTRICAL
NON-DIM,
PHASE,
1-10V,
DALI,
BLUETOOTH

PHYSICAL
Aluminum



Description

Nice exterior appearance, 24 heads round integrated design, easy installation. 23mm light outlet diameter, which can hide the lamp perfectly and realize the effect of seeing light but not seeing lighting body. At the same time, it can be integrated as part of the ceiling decoration.

Applications

Showrooms, Restaurants, Star-rated Hotels, Villas, Residential buildings, etc.

Features



Standard configuration

COLOUR TEMPERATURE
2700K
3000K

CONTROL
NON-DIM

OPTICAL
15°/24°/34°

COLOUR(housing)
White

COLOUR(reflector)
Dark chrome

Extended configuration

COLOUR TEMPERATURE
4000K
5000K

CONTROL
DALI, PHASE, 1-10V

Options on request

CONTROL
BLUETOOTH

Parameters

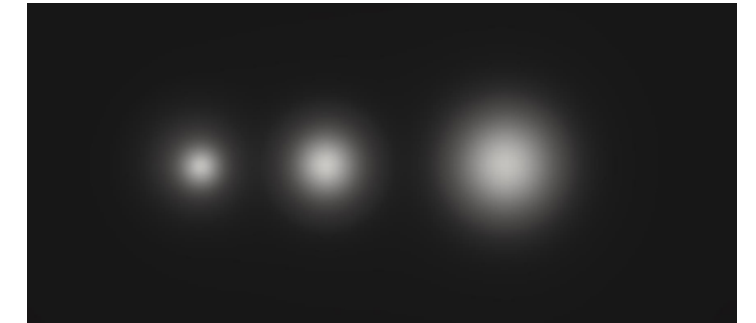
POWER	VF	CURRENT	CCT	LUMINOUS FLUX
24x3W	3V	700mA	2700K 3000K	3648~3768 lm 4008~4104 lm

Test standards:
OSRAM COB, CRI 90, tolerance range of electrical and optical parameters: ±10%.

Light Distribution

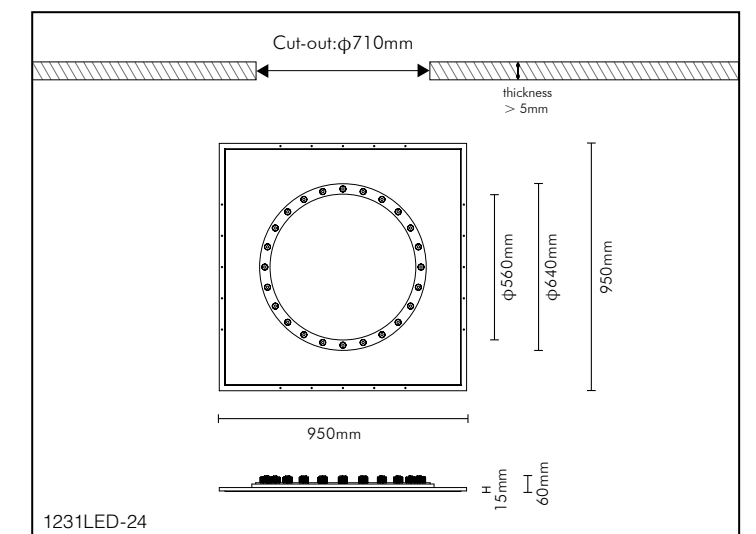
3W 15° 3000K Ra90			3W 24° 3000K Ra90			3W 34° 3000K Ra90		
H(m)	E(lx)	D(m)	H(m)	E(lx)	D(m)	H(m)	E(lx)	D(m)
1	1503	0.26	1	778	0.42	1	353	0.64
2	376	0.52	2	195	0.85	2	88	1.28
3	167	0.78	3	86	1.27	3	39	1.92
4	94	1.03	4	49	1.70	4	22	2.56
5	60	1.29	5	31	2.12	5	14	3.20

Light effect and planning aid



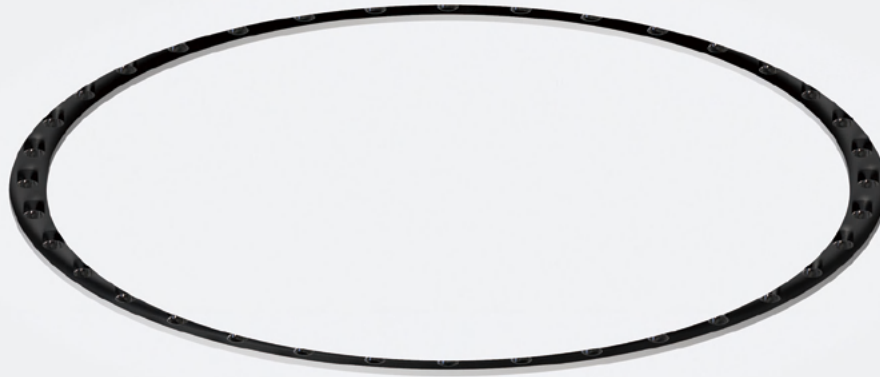
Emphasis of objects or architectural elements.

Mounting dimension



STELLA

1231LED-36



Quickinfo

GENERAL
Recessed
IP20

LED
OSRAM
36x3W
2700K, 3000K, 4000K, 5000K
50000h@L80
CRI≥90
SDCM: 5

OPTICAL
Direct illumination
Beam angle 15°/24°/34°
Optical accessories

ELECTRICAL
NON-DIM,
PHASE,
1-10V,
DALI,
BLUETOOTH

PHYSICAL
Aluminum



Description

Nice exterior appearance, 36 heads round integrated design, easy installation. 23mm light outlet diameter, which can hide the lamp perfectly and realize the effect of seeing light but not seeing lighting body. At the same time, it can be integrated as part of the ceiling decoration.

Applications

Showrooms, Restaurants, Star-rated Hotels, Villas, Residential buildings, etc.

Features



Standard configuration

COLOUR TEMPERATURE
2700K
3000K

CONTROL
NON-DIM

OPTICAL
15°/24°/34°

COLOUR(housing)
White

COLOUR(reflector)
Dark chrome

Extended configuration

COLOUR TEMPERATURE
4000K
5000K

CONTROL
DALI, PHASE, 1-10V

Options on request

CONTROL
BLUETOOTH

Parameters

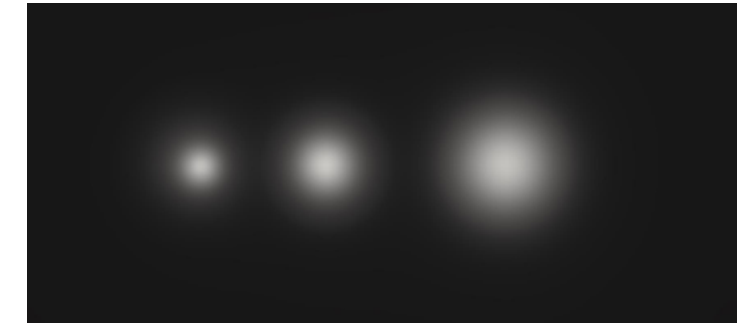
POWER	VF	CURRENT	CCT	LUMINOUS FLUX
36x3W	3V	700mA	2700K 3000K	5472~5652 lm 6012~6156 lm

Test standards:
OSRAM COB, CRI 90, tolerance range of electrical and optical parameters: ±10%.

Light Distribution

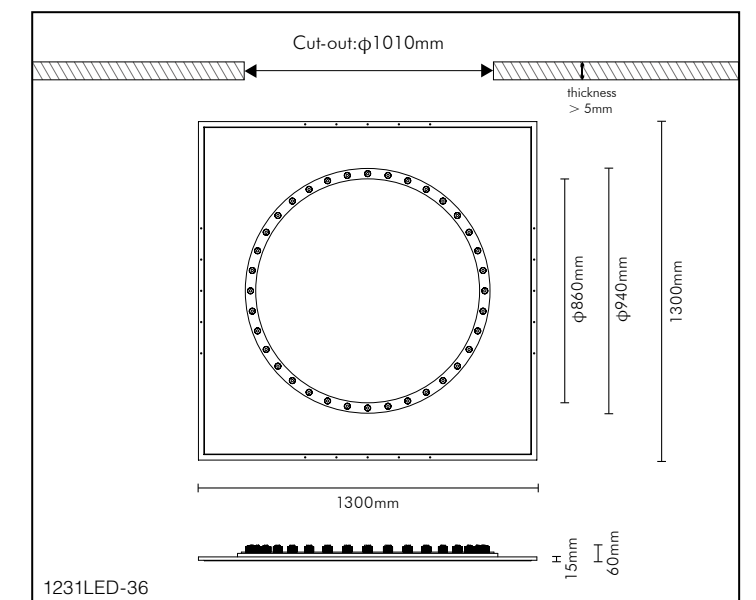
3W 15° 3000K Ra90			3W 24° 3000K Ra90			3W 34° 3000K Ra90		
H(m)	E(lx)	D(m)	H(m)	E(lx)	D(m)	H(m)	E(lx)	D(m)
1	1503	0.26	1	778	0.42	1	353	0.64
2	376	0.52	2	195	0.85	2	88	1.28
3	167	0.78	3	86	1.27	3	39	1.92
4	94	1.03	4	49	1.70	4	22	2.56
5	60	1.29	5	31	2.12	5	14	3.20

Light effect and planning aid



Emphasis of objects or architectural elements.

Mounting dimension

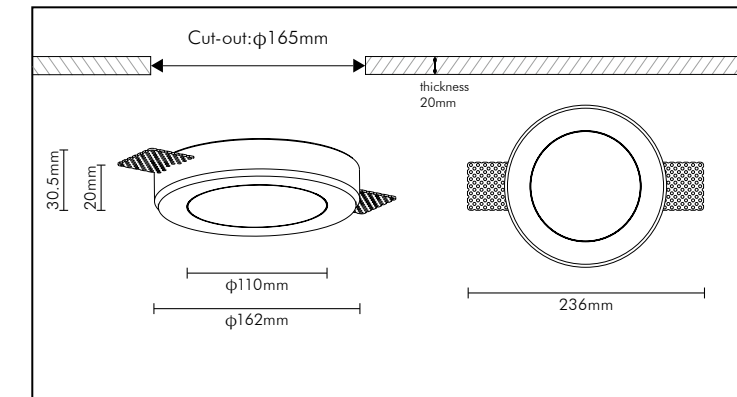
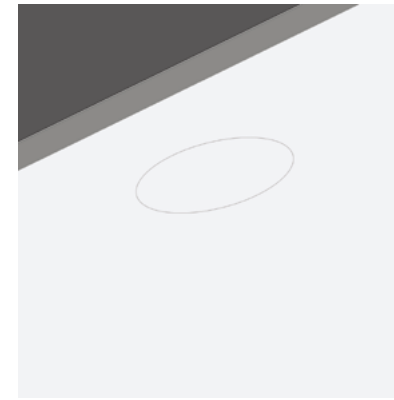




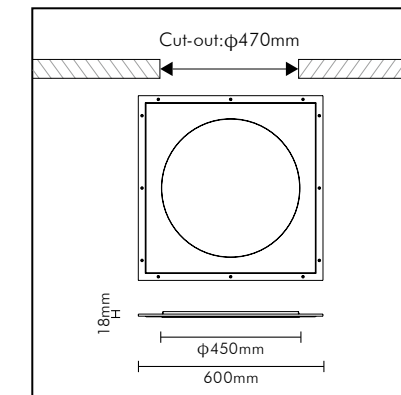
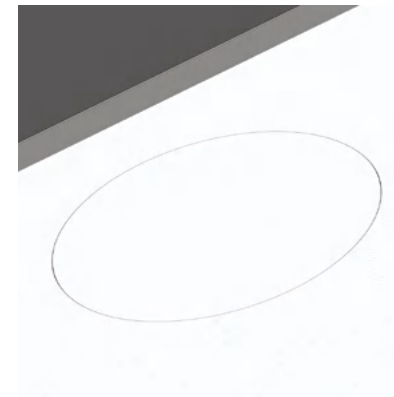
STELLA

Access panel

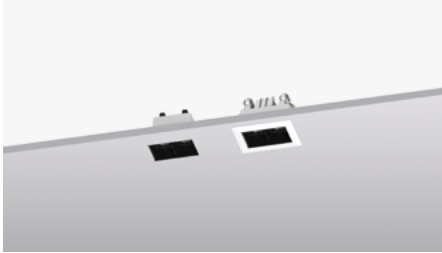
MODEL:110




MODEL:450



LINEA


Double heads		W1651LED... <small>Trimless</small> 494
		1651LED... <small>Trim</small> 494

Quadruple heads		W11131LED... <small>Trimless</small> 500
		11131LED... <small>Trim</small> 500

Eight heads		W12091LED... <small>Trimless</small> 506
		12091LED... <small>Trim</small> 506

Twelve heads		W13051LED... <small>Trimless</small> 510
		13051LED... <small>Trim</small> 510

Adjustable		1653LED... <small>Double heads</small> 516
------------	---	--

Adjustable		11133LED... <small>Quadruple heads</small> 518
------------	---	--

Adjustable		12093LED... <small>Eight heads</small> 520
------------	--	--

Adjustable		13053LED... <small>Twelve heads</small> 522
------------	---	---



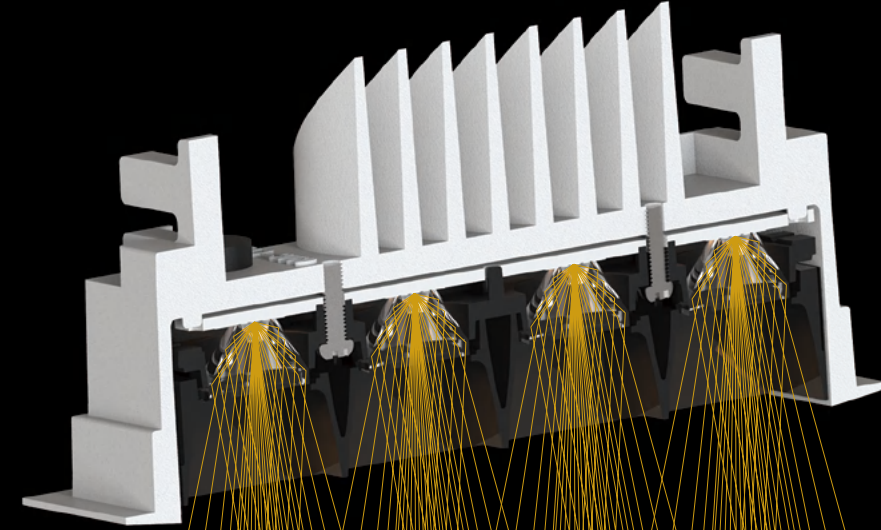
· De Aardappeleters ·

I often think that the night is more alive and more richly colored than the day.

—Vincent Willem van Gogh, Painter

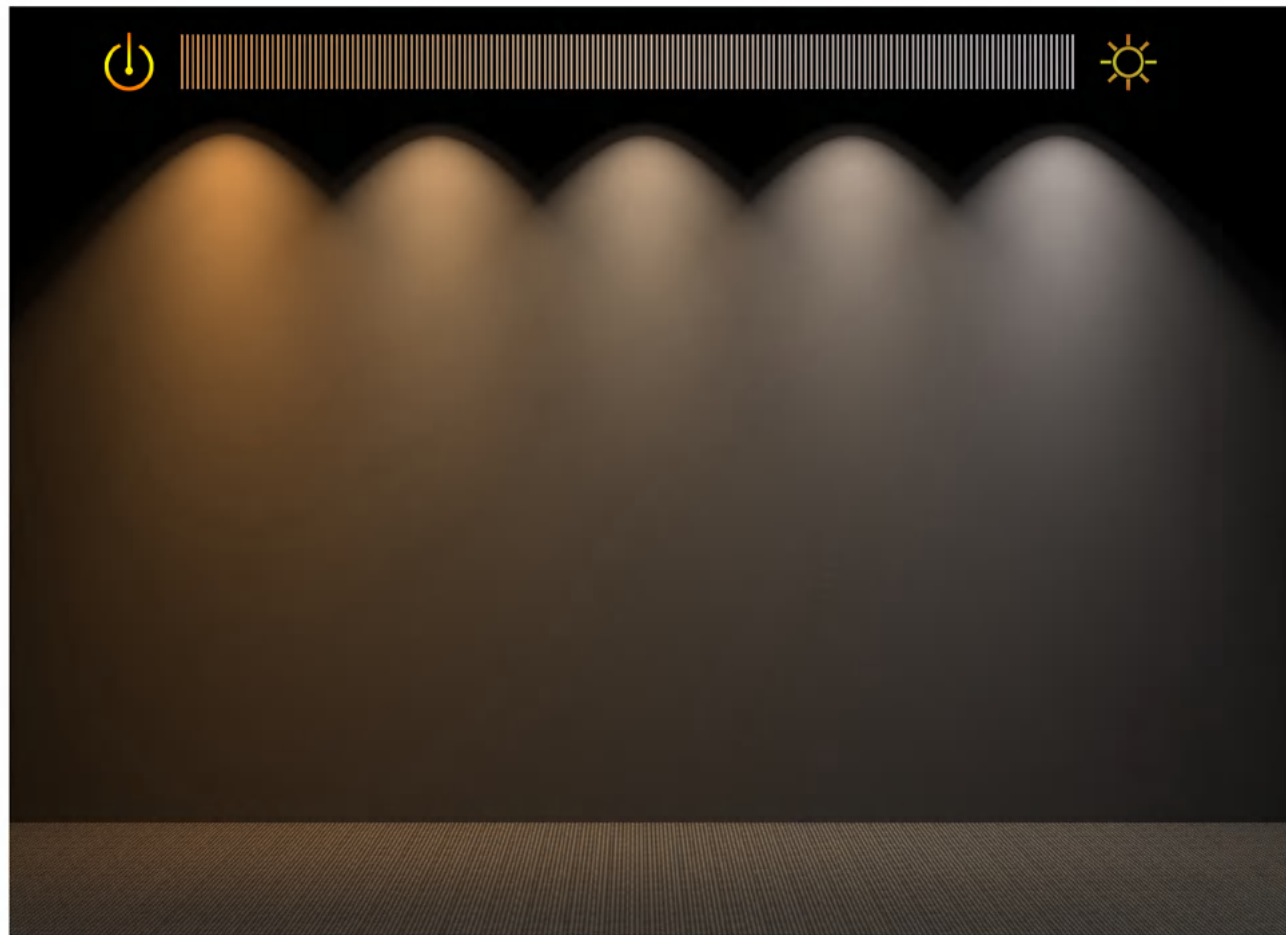


Vincent van Gogh (1853-1890), perhaps the most famous artist in the world, is perceived by many as the 'mad' artist, the man who painted in a frenzy or simply the tormented soul who cuts off his ear. His artistic genius is often overshadowed by those who see his paintings as mere visual manifestations of his troubled mind. Whilst in part this may be true, in reality his innovative and unique artistic style was of enormous importance to a host of artists who followed in his wake. Even when openly influenced by his predecessors or contemporaries his art remained identifiably his own, developing a distinctive style that failed to be accepted by the art-buying public in his own time.



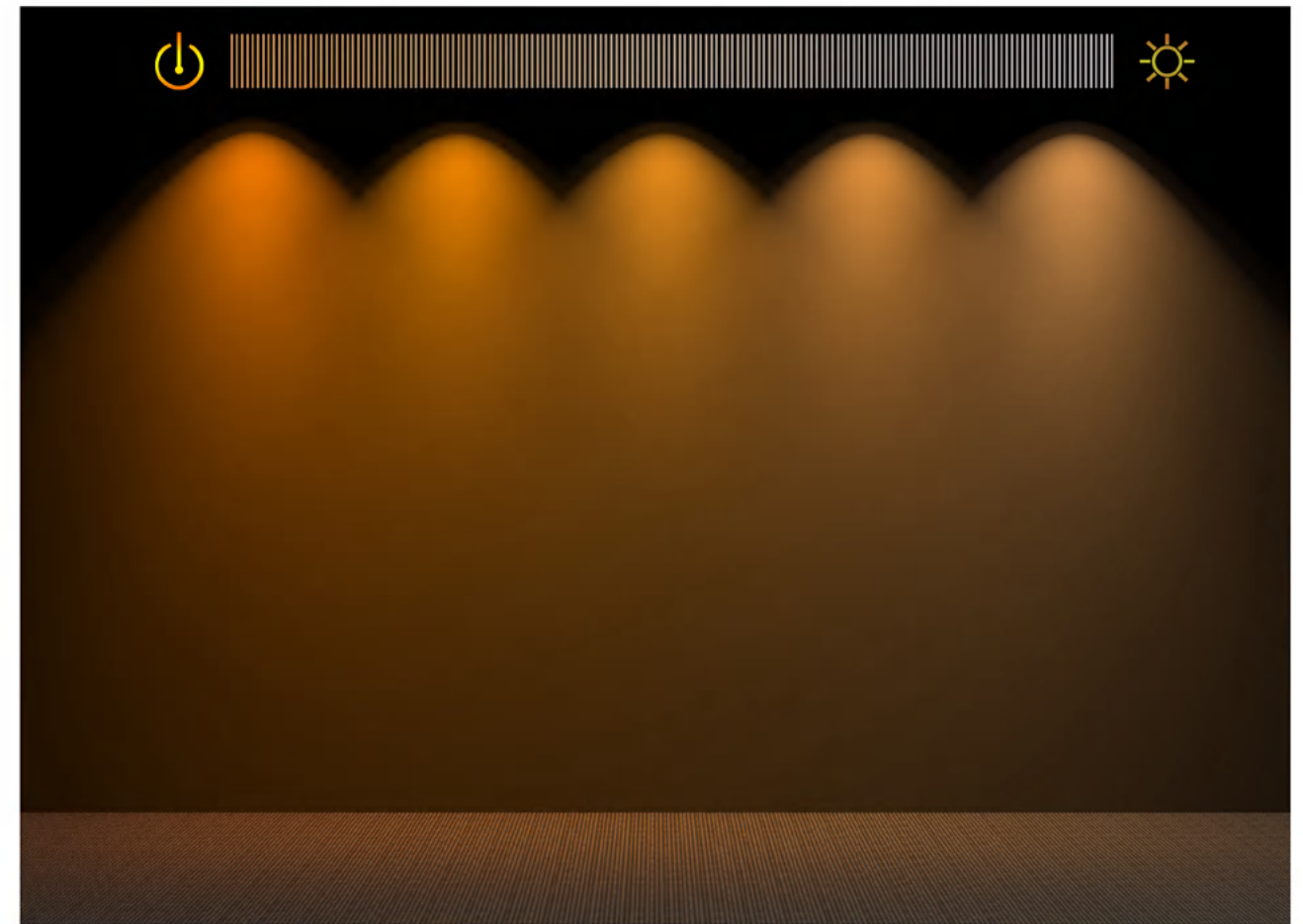
LINEA

- The new series are with miniaturised optic, providing high visual comfort, adopting the physical principle of pinpoint lamps, generating CIRCULAR light emission.
- Compact rectangular designs never fail to impressing professionals, frames made of die-cast aluminum with high heat dissipation ability to ensure the stunning lifespan of LEDs.
- Multiple sizes, two kinds of installation methods, trimmed and trimless, trimless version allows the lighting blend in perfectly with the surrounding architecture.
- With the ultra shallow depth of only 60mm, LC is suitable for the most difficult void situations such as air conditioning ducts, sprinkler pipes, beams.



TW - Tunable White

Tunable White is also known as Human Centric Lighting or Dynamic lighting. The lighting system allows the colour temperature to be continuously adjusted from warm light(2700K) to cool light(5700K/6000K/6500K), to achieve "imitate" sunlight during the day, help to support the circadian rhythm and create the best possible conditions both at work and in our homes.

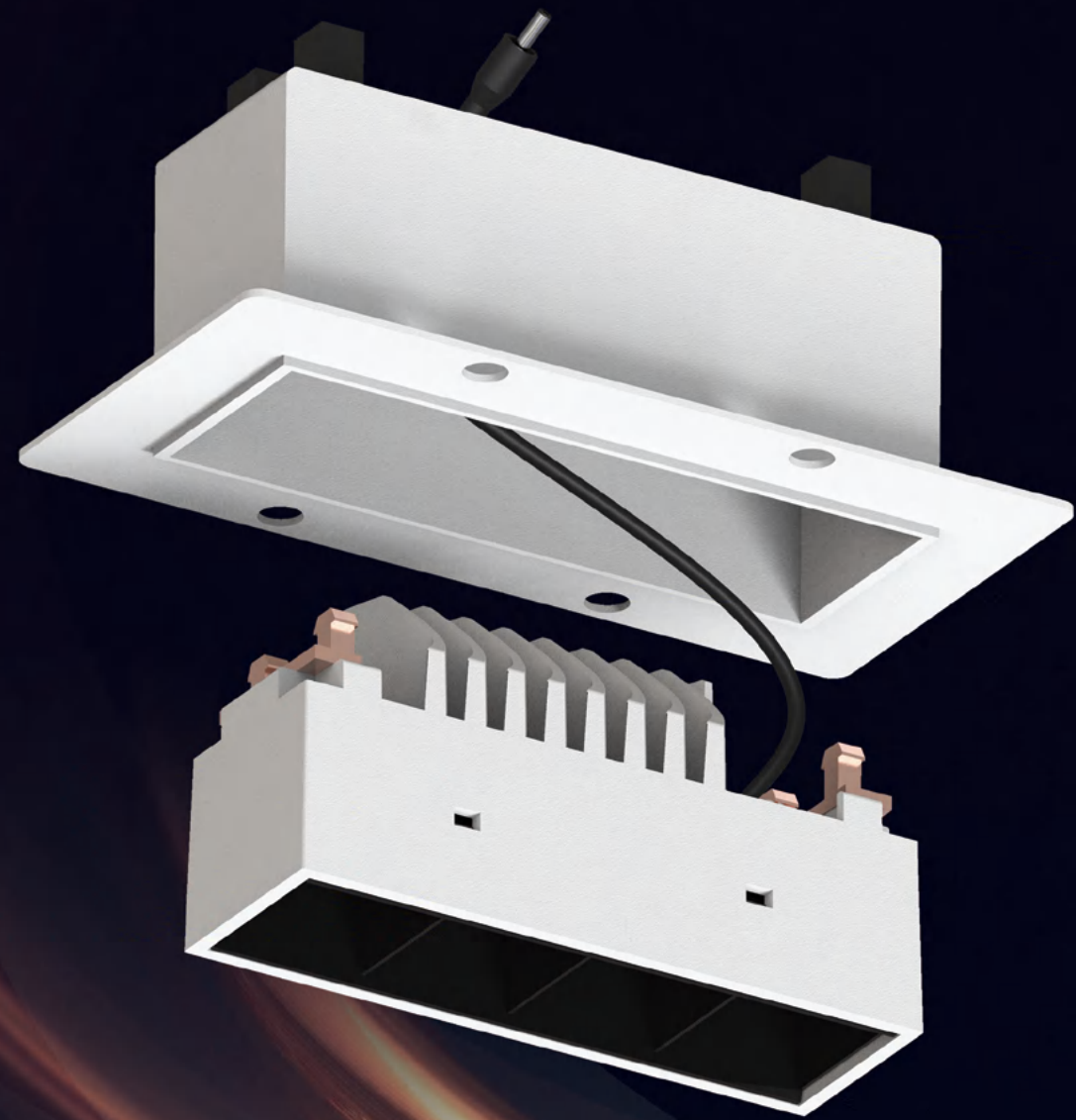


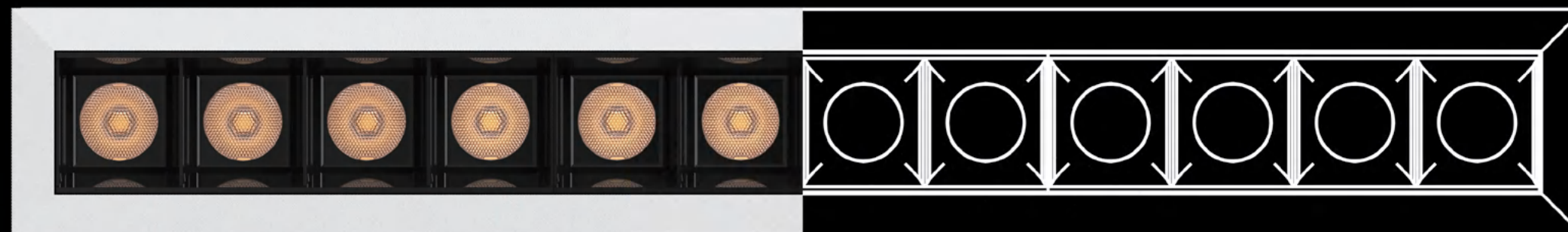
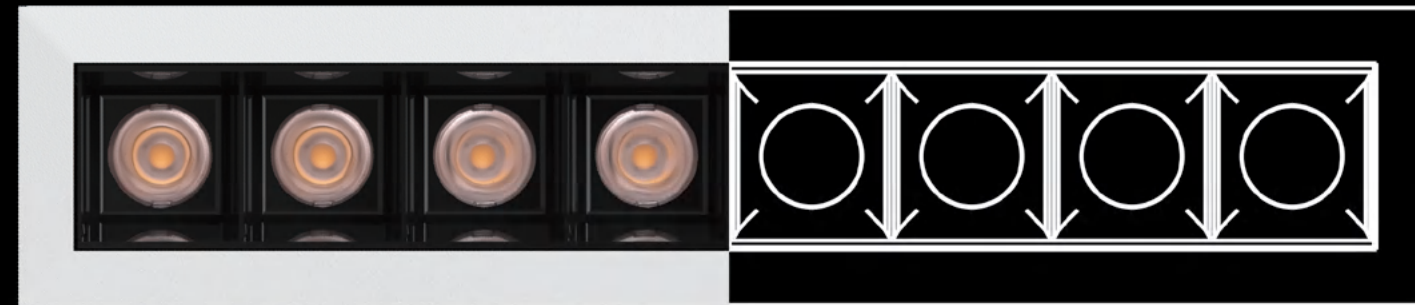
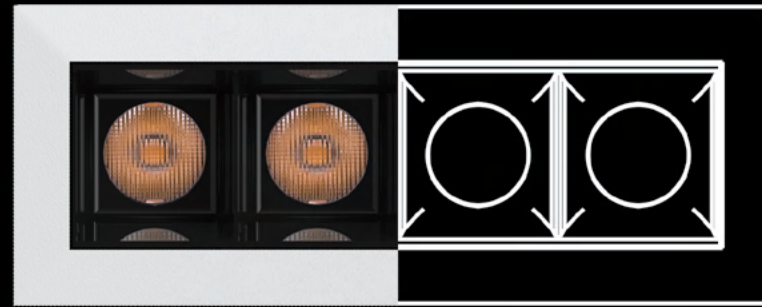
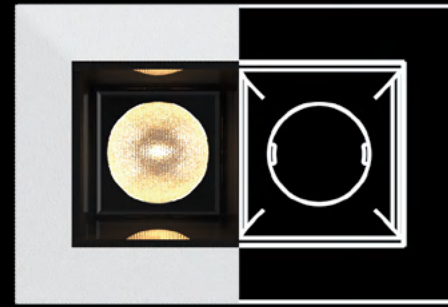
DTW - Dim To Warm

Warm light quality with reduced illuminance. The function supports reduces the light intensity while continuously changing the colour temperature between 2700K and 1800K, which provides perfect, warm comfortable lighting.



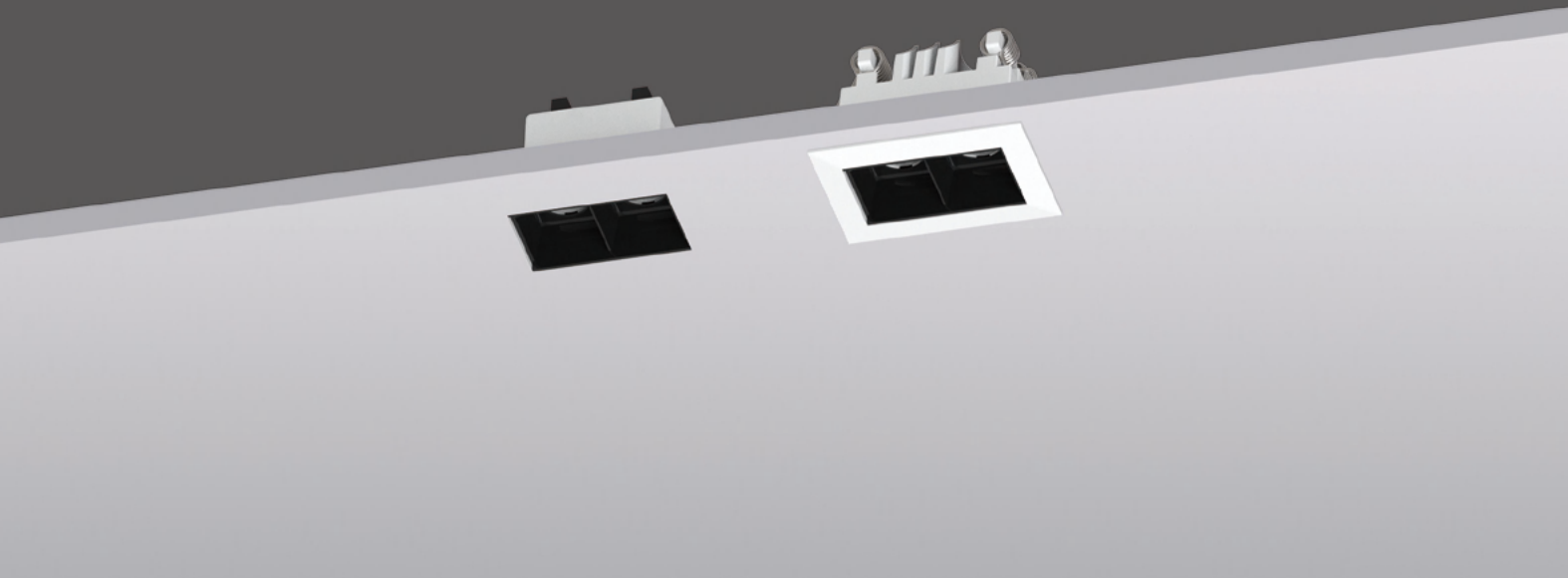
01:00 02:00 03:00 04:00 05:00 06:00 07:00 08:00 09:00 10:00 11:00 12:00 13:00 14:00 15:00 16:00 17:00 18:00 19:00 20:00 21:00 22:00 23:00 24:00





LINEA

Trimless W1651LED
Trim 1651LED



Quickinfo

GENERAL
Recessed
IP20

LED
CREE ⇄
5W
2700K, 3000K, 4000K, 5000K, TW
50000h@L80
CRI≥90
SDCM: 5

OPTICAL
Direct illumination
Beam angle 15°/29°/50°/60°/16°x36°
Optical accessories

ELECTRICAL
NON-DIM
PHASE
1-10V
DALI
BLUETOOTH

PHYSICAL
Aluminum



Description

LC linear spotlight, 2 high power LED chips, can help the space to increase the visual dynamic sense and personalization, and improve the quality of the whole space.
Tunable White allows the colour temperature to be continuously adjusted from warm light to cool light.

Applications

Showrooms, Galleries, Retail stores, Restaurants, Museums, Hotels, Bars, Shopping centers, Large architectures and Administration buildings.

Features



Standard configuration

COLOUR TEMPERATURE
2700K
3000K

CONTROL
NON-DIM

OPTICAL
15°/29°/50°/60°/16°x36°

COLOUR(housing)
White

COLOUR(reflector)
Black

Extended configuration

COLOUR TEMPERATURE
4000K
5000K

CONTROL
DALI, PHASE, 1-10V

COLOUR(housing)
Black

COLOUR(reflector)
White, Gold

Options on request

COLOUR TEMPERATURE
TW(2700K~5700K)

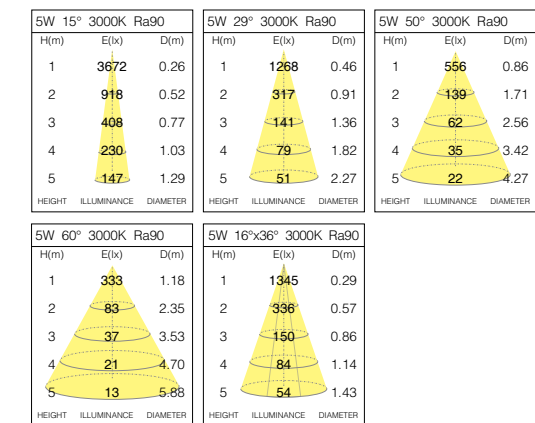
CONTROL
BLUETOOTH

Parameters

POWER	VF	CURRENT	CCT	LUMINOUS FLUX
5W	6V	700mA	2700K 3000K	241~318 lm 285~334 lm

Test standards:
CREE COB, CRI 90, tolerance range of electrical and optical parameters: ±10%.

Light Distribution

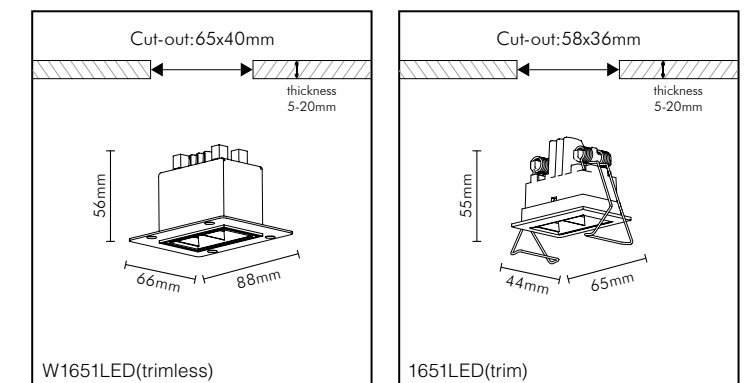


Light effect and planning aid



Emphasis of objects or architectural elements. Wide-beam illumination of larger objects or spatial zones.

Mounting dimension

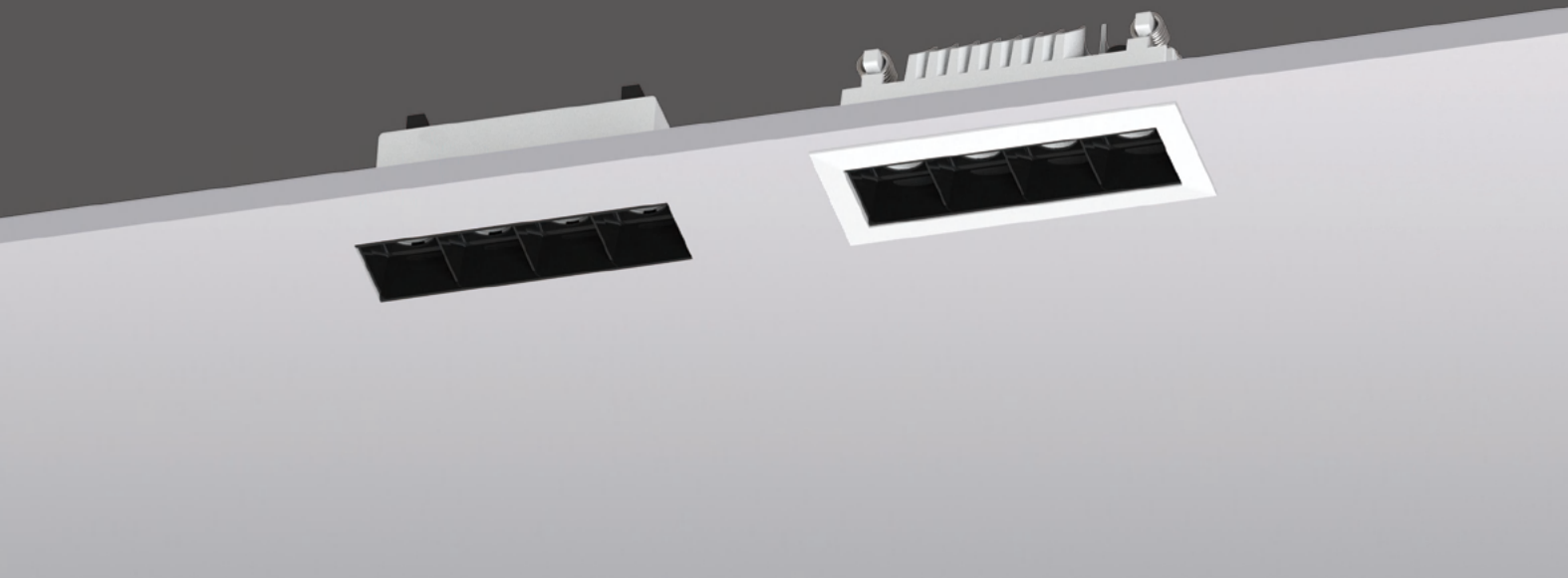






LINEA

Trimless W11131LED
Trim 11131LED



Quickinfo

GENERAL
Recessed
IP20

LED
CREE ⇄
10W
2700K, 3000K, 4000K, 5000K, TW
50000h@L80
CRI≥90
SDCM: 5

OPTICAL
Direct illumination
Beam angle 15°/29°/50°/60°/16°x36°
Optical accessories

ELECTRICAL
NON-DIM
PHASE
1-10V
DALI
BLUETOOTH

PHYSICAL
Aluminum



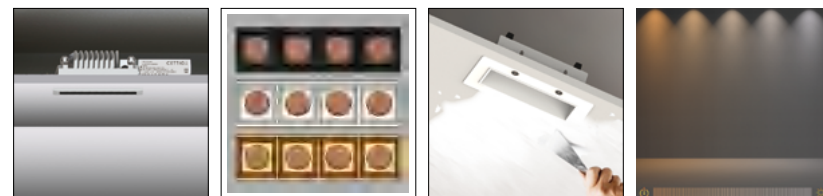
Description

LC linear spotlight, 4 high power LED chips, can help the space to increase the visual dynamic sense and personalization, and improve the quality of the whole space.
Tunable White allows the colour temperature to be continuously adjusted from warm light to cool light.

Applications

Showrooms, Galleries, Retail stores, Restaurants, Museums, Hotels, Bars, Shopping centers, Large architectures and Administration buildings.

Features



Standard configuration

COLOUR TEMPERATURE
2700K
3000K

CONTROL
NON-DIM

OPTICAL
15°/29°/50°/60°/16°x36°

COLOUR(housing)
White

COLOUR(reflector)
Black

Extended configuration

COLOUR TEMPERATURE
4000K
5000K

CONTROL
DALI, PHASE, 1-10V

COLOUR(housing)
Black

COLOUR(reflector)
White, Gold

Options on request

COLOUR TEMPERATURE
TW(2700K~5700K)

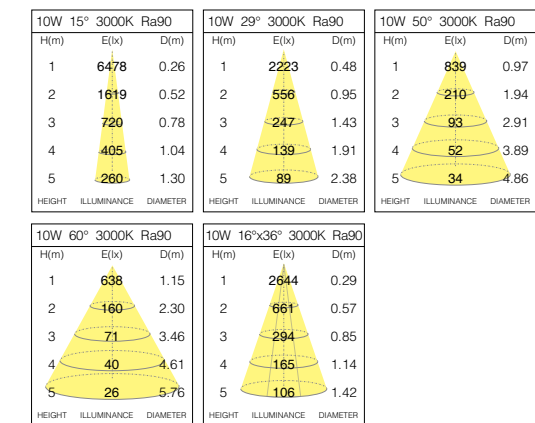
CONTROL
BLUETOOTH

Parameters

POWER	VF	CURRENT	CCT	LUMINOUS FLUX
10W	12V	700mA	2700K 3000K	513~587 lm 522~688 lm

Test standards:
CREE COB, CRI 90, tolerance range of electrical and optical parameters: ±10%.

Light Distribution

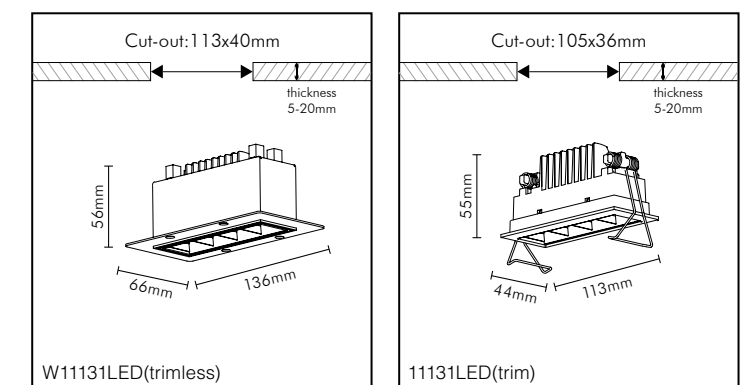


Light effect and planning aid



Emphasis of objects or architectural elements. Wide-beam illumination of larger objects or spatial zones.

Mounting dimension

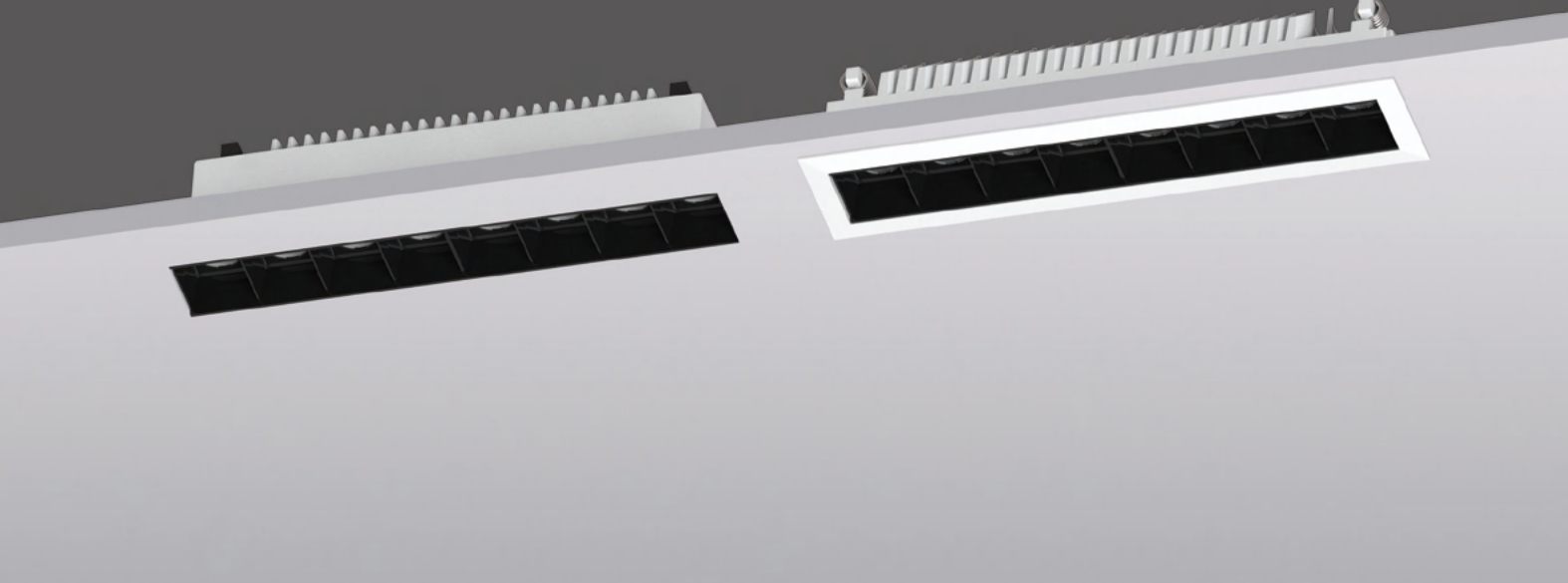






LINEA

Trimless W12091LED
Trim 12091LED



Quickinfo

GENERAL
Recessed
IP20

LED
CREE ⇄
20W
2700K, 3000K, 4000K, 5000K, TW
50000h@L80
CRI≥90
SDCM: 5

OPTICAL
Direct illumination
Beam angle 15°/29°/50°/60°/16°x36°
Optical accessories

ELECTRICAL
NON-DIM
PHASE
1-10V
DALI
BLUETOOTH

PHYSICAL
Aluminum



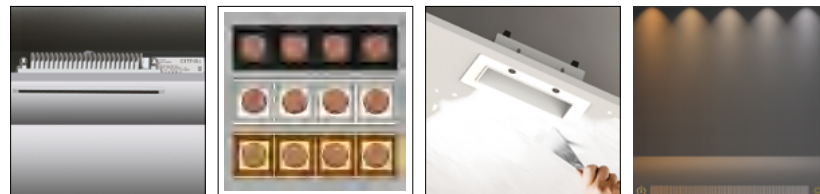
Description

LC linear spotlight, 8 high power LED chips, because of its long and narrow shape, can help to increase the visual guidance and improve the spatial extension.
Tunable White allows the colour temperature to be continuously adjusted from warm light to cool light.

Applications

Showrooms, Galleries, Retail stores, Restaurants, Museums, Hotels, Bars, Shopping centers, Large architectures and Administration buildings.

Features



Standard configuration

COLOUR TEMPERATURE
2700K
3000K

CONTROL
NON-DIM

OPTICAL
15°/29°/50°/60°/16°x36°

COLOUR(housing)
White

COLOUR(reflector)
Black

Extended configuration

COLOUR TEMPERATURE
4000K
5000K

CONTROL
DALI, PHASE, 1-10V

COLOUR(housing)
Black

COLOUR(reflector)
White, Gold

Options on request

COLOUR TEMPERATURE
TW(2700K~5700K)

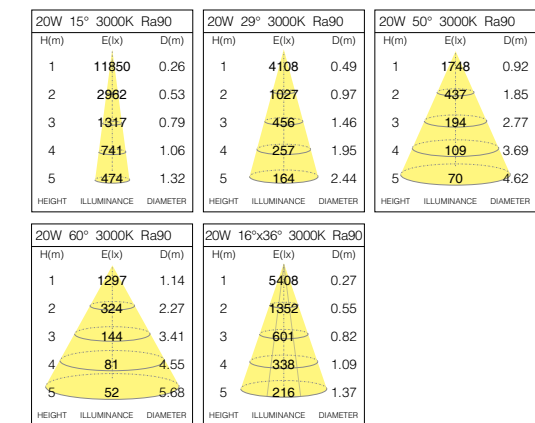
CONTROL
BLUETOOTH

Parameters

POWER	VF	CURRENT	CCT	LUMINOUS FLUX
20W	24V	700mA	2700K	1052~1255 lm
			3000K	1064~1265 lm

Test standards:
CREE COB, CRI 90, tolerance range of electrical and optical parameters: ±10%.

Light Distribution

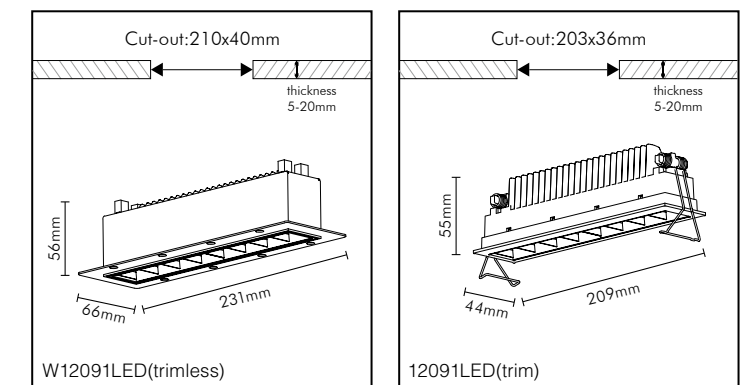


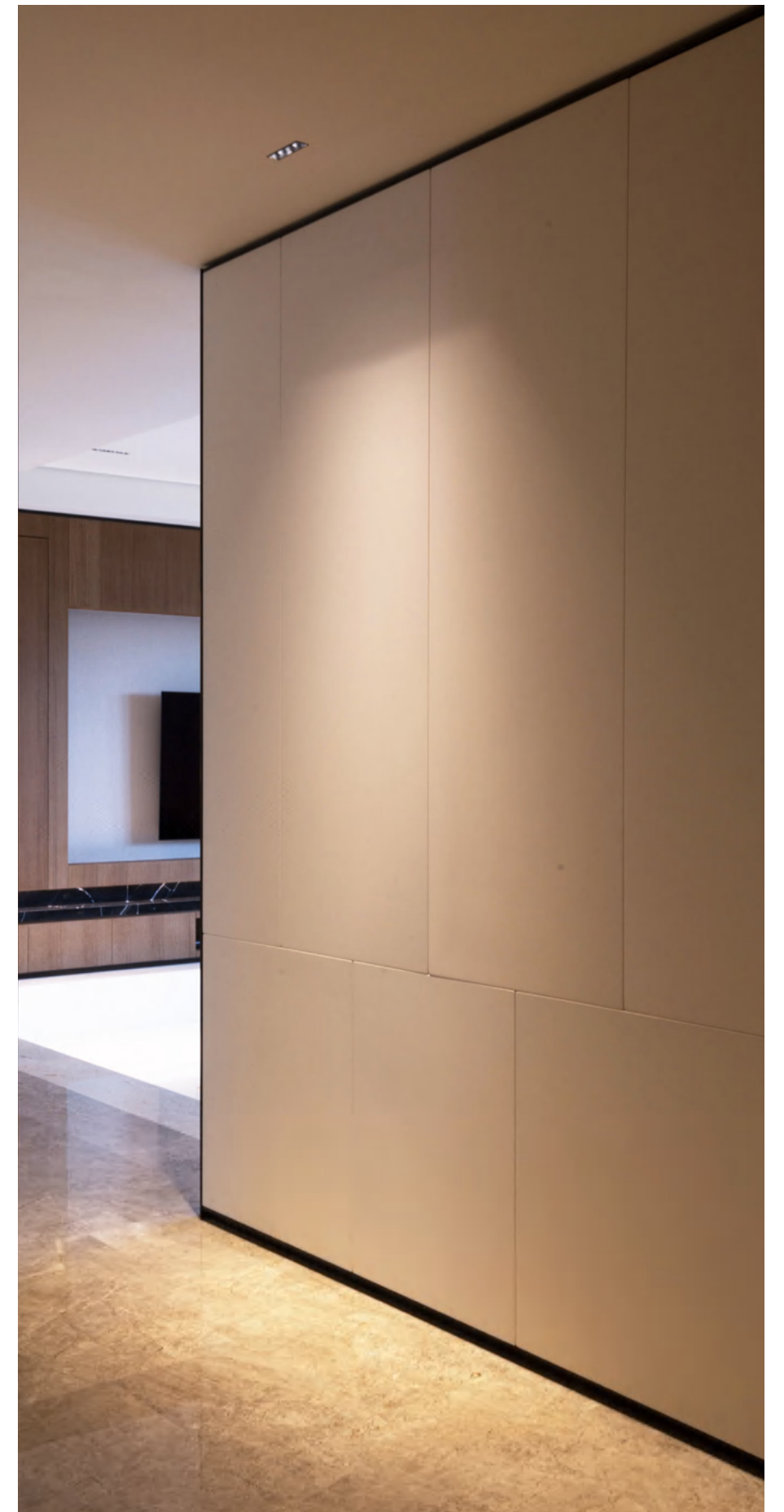
Light effect and planning aid



Emphasis of objects or architectural elements. Wide-beam illumination of larger objects or spatial zones.

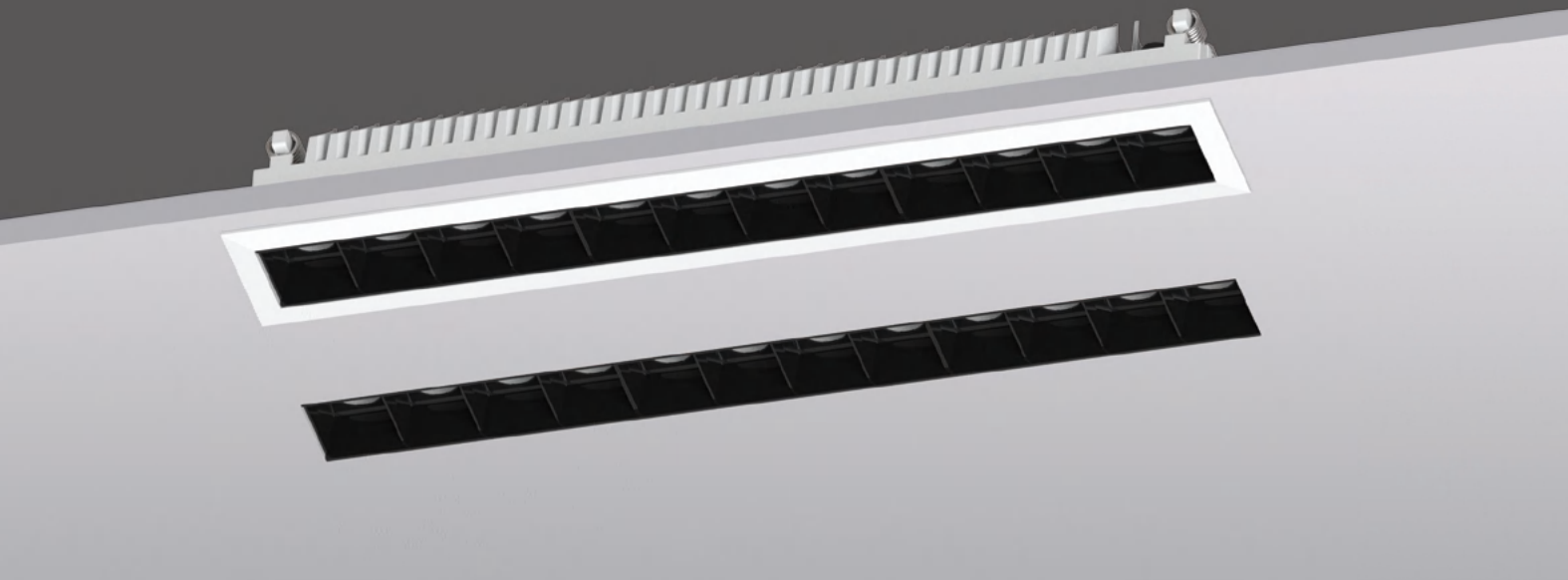
Mounting dimension





LINEA

Trimless W13051LED
Trim 13051LED



Quickinfo

GENERAL
Recessed
IP20

LED
CREE ⇄
30W
2700K, 3000K, 4000K, 5000K, TW
50000h@L80
CRI≥90
SDCM: 5

OPTICAL
Direct illumination
Beam angle 15°/29°/50°/60°/16°x36°
Optical accessories

ELECTRICAL
NON-DIM
PHASE
1-10V
DALI
BLUETOOTH

PHYSICAL
Aluminum



Description

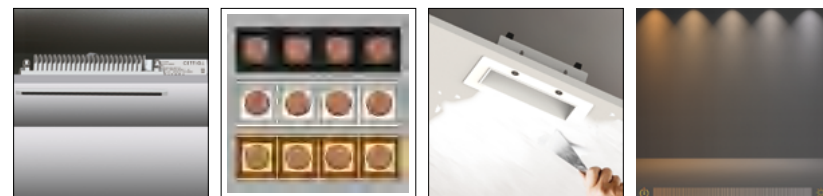
LC linear spotlight, 12 high power LED chips, unparalleled narrow and long shape can be used as a part of decoration to integrate lighting and decoration.

Tunable White allows the colour temperature to be continuously adjusted from warm light to cool light.

Applications

Showrooms, Galleries, Retail stores, Restaurants, Museums, Hotels, Bars, Shopping centers, Large architectures and Administration buildings.

Features



Standard configuration

COLOUR TEMPERATURE
2700K
3000K

CONTROL
NON-DIM

OPTICAL
15°/29°/50°/60°/16°x36°

COLOUR(housing)
White

COLOUR(reflector)
Black

Extended configuration

COLOUR TEMPERATURE
4000K
5000K

CONTROL
DALI, PHASE, 1-10V

COLOUR(housing)
Black

COLOUR(reflector)
White, Gold

Options on request

COLOUR TEMPERATURE
TW(2700K~5700K)

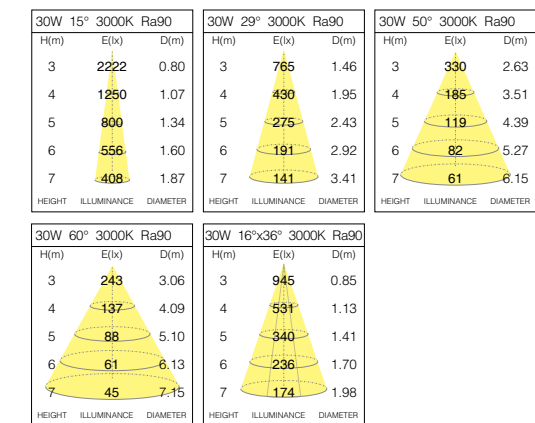
CONTROL
BLUETOOTH

Parameters

POWER	VF	CURRENT	CCT	LUMINOUS FLUX
30W	36V	700mA	2700K 3000K	1544~1793 lm 1736~2053 lm

Test standards:
CREE COB, CRI 90, tolerance range of electrical and optical parameters: ±10%.

Light Distribution

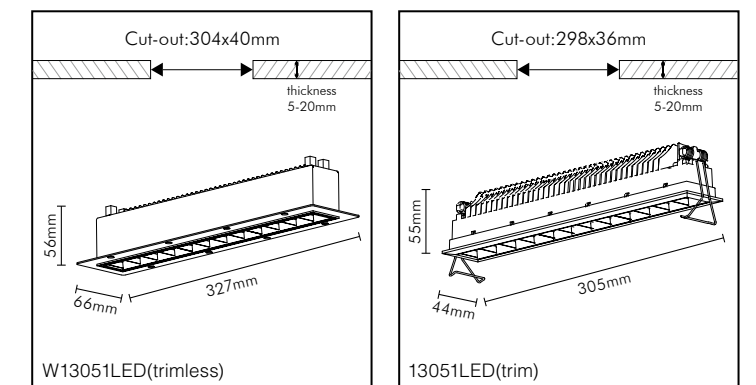


Light effect and planning aid

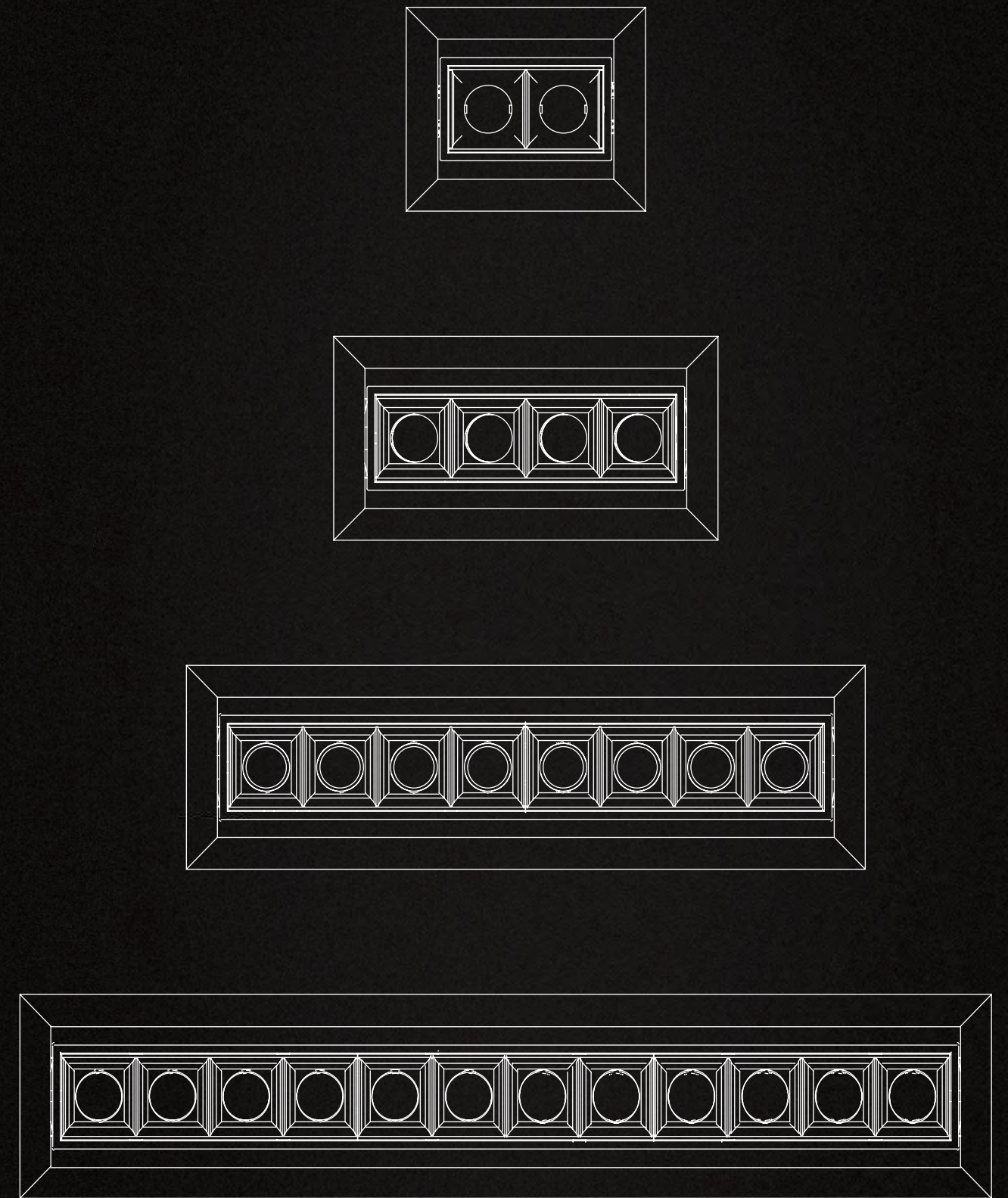
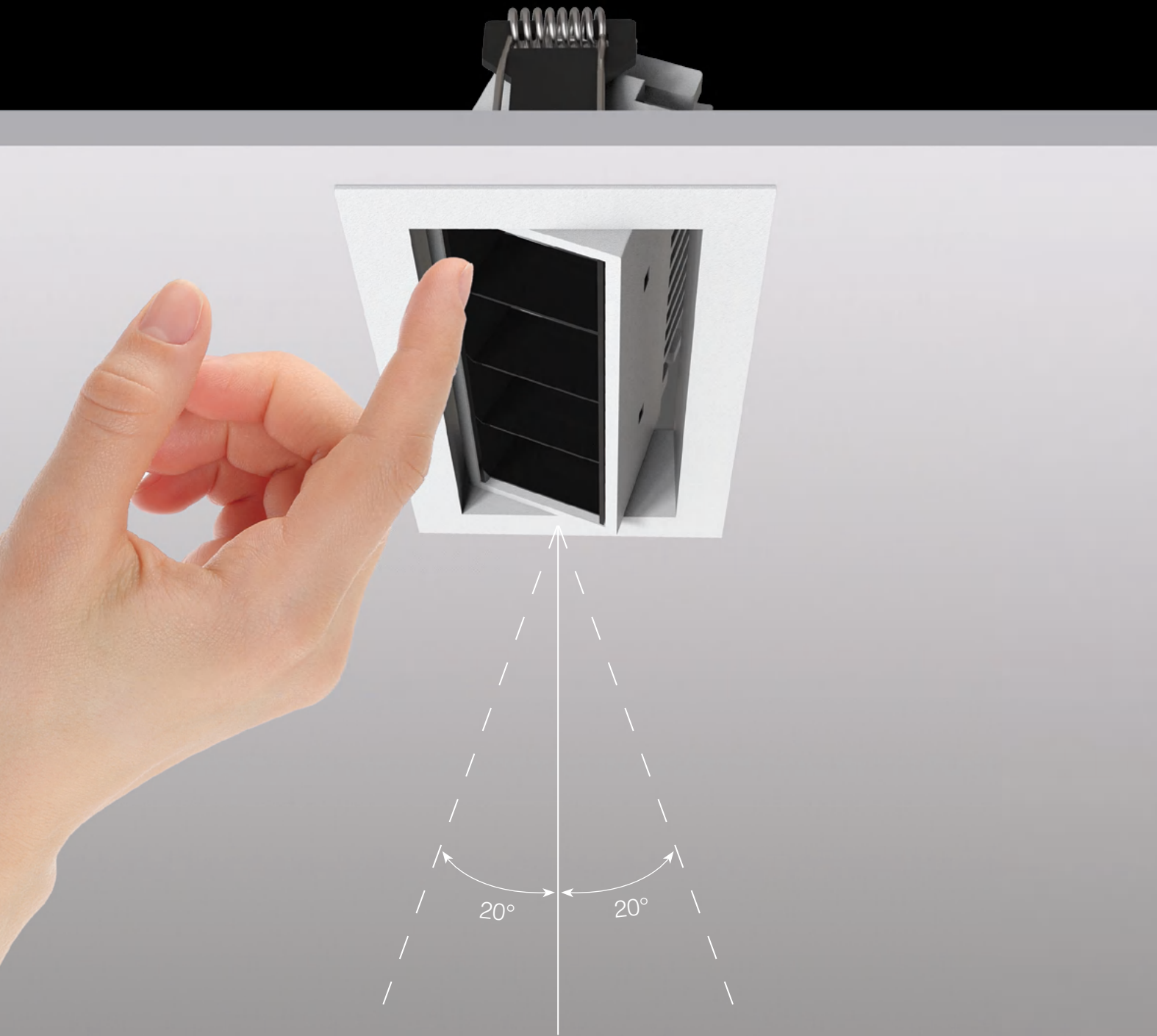


Emphasis of objects or architectural elements. Wide-beam illumination of larger objects or spatial zones.

Mounting dimension







LINEA

Adjustable 1653LED



Standard configuration

COLOUR TEMPERATURE
2700K
3000K

CONTROL
Non DIM

OPTICAL
15°/29°/50°/60°/16°x36°

COLOUR(housing)
White

COLOUR(reflector)
Black

Extended configuration

COLOUR TEMPERATURE
4000K
5000K

CONTROL
DALI, PHASE, 1-10V

COLOUR(housing)
Black

COLOUR(reflector)
White, Gold

Options on request

COLOUR TEMPERATURE
TW(2700K~5700K)

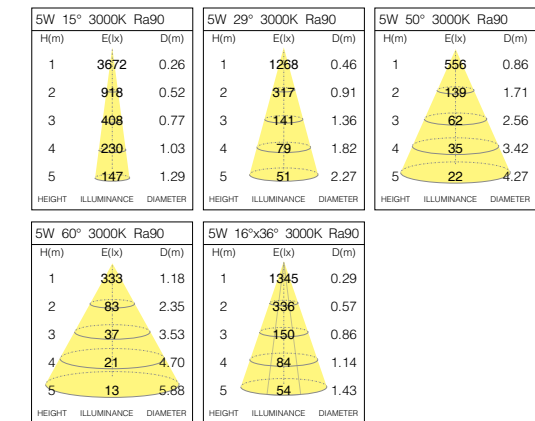
CONTROL
Bluetooth

Parameters

POWER	VF	CURRENT	CCT	LUMINOUS FLUX
5W	6V	700mA	2700K 3000K	241~318 lm 285~334 lm

Test standards:
CREE COB, CRI 90, tolerance range of electrical and optical parameters: ±10%.

Light Distribution

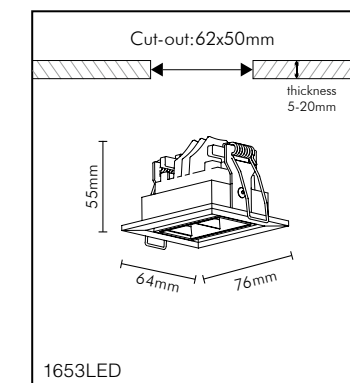


Light effect and planning aid



Emphasis of objects or architectural elements. Wide-beam illumination of larger objects or spatial zones.

Mounting dimension



Quickinfo

General
Recessed
IP20

LED
CREE
5W
2700K, 3000K, 4000K, 5000K, TW
50000h@L80
CRI≥90
SDCM: 5

OPTICAL
Direct illumination
Beam angle 15°/29°/50°/60°/16°x36°
Optical accessories

ELECTRICAL
Non DIM
PHASE
1-10V
DALI
Bluetooth

PHYSICAL
Aluminum



Description

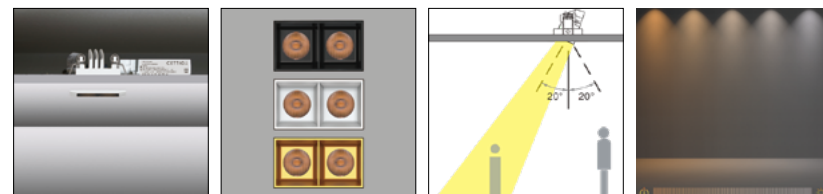
LC linear spotlight, 2 high power LED chips, adjustable angle design, can help you accurately project light onto the object, highlight a single area or object.

Tunable White allows the colour temperature to be continuously adjusted from warm light to cool light.

Applications

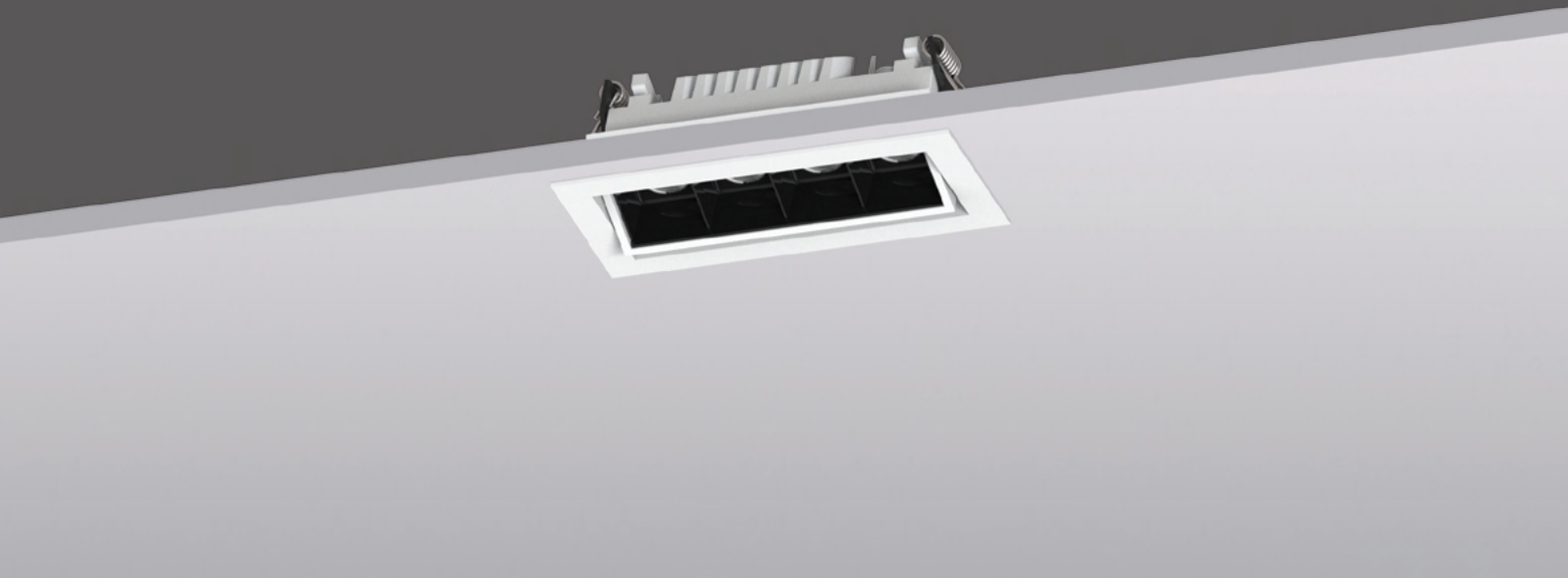
Showrooms, Galleries, Restaurants, Museum Hotels, Bars, Retailstores, Shopping centers, Offices, Large architectures and Administration buildings.

Features



LINEA

Adjustable 11133LED



Quickinfo

General
Recessed
IP20

LED

CREE

10W

2700K, 3000K, 4000K, 5000K, TW

50000h@L80

CRI≥90

SDCM: 5

OPTICAL

Direct illumination

Beam angle 15°/29°/50°/60°/16°x36°

Optical accessories

ELECTRICAL

Non DIM

PHASE

1-10V

DALI

Bluetooth

PHYSICAL

Aluminum



Description

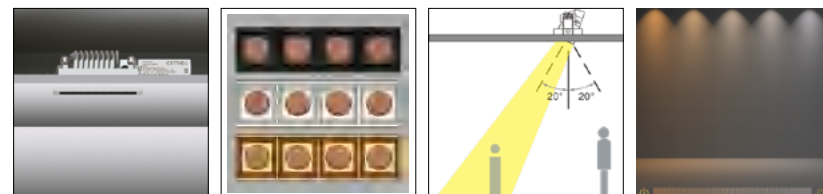
LC linear spotlight, 4 high power LED chips, adjustable angle design, can realize precise projection in narrow space, and can be more easily integrated into any environment.

Tunable White allows the colour temperature to be continuously adjusted from warm light to cool light.

Applications

Showrooms, Galleries, Restaurants, Museum Hotels, Bars, Retailstores, Shopping centers, Offices, Large architectures and Administration buildings.

Features



Standard configuration

COLOUR TEMPERATURE

2700K

3000K

CONTROL

Non DIM

OPTICAL

15°/29°/50°/60°/16°x36°

COLOUR(housing)

White

COLOUR(reflector)

Black

Extended configuration

COLOUR TEMPERATURE

4000K

5000K

CONTROL

DALI, PHASE, 1-10V

COLOUR(housing)

Black

COLOUR(reflector)

White, Gold

Options on request

COLOUR TEMPERATURE

TW(2700K~5700K)

CONTROL

Bluetooth

Parameters

POWER	VF	CURRENT	CCT	LUMINOUS FLUX
10W	12V	700mA	2700K	513~587 lm
			3000K	522~688 lm

Test standards:
CREE COB, CRI 90, tolerance range of electrical and optical parameters: ±10%.

Light Distribution

10W 15° 3000K Ra90			10W 29° 3000K Ra90			10W 50° 3000K Ra90		
H(m)	E(lx)	D(m)	H(m)	E(lx)	D(m)	H(m)	E(lx)	D(m)
1	6478	0.26	1	2223	0.48	1	839	0.97
2	1619	0.52	2	556	0.95	2	210	1.94
3	720	0.78	3	247	1.43	3	93	2.91
4	405	1.04	4	139	1.91	4	52	3.89
5	260	1.30	5	89	2.38	5	34	4.86

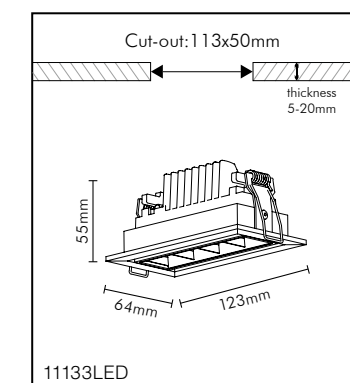
10W 60° 3000K Ra90			10W 16°x36° 3000K Ra90		
H(m)	E(lx)	D(m)	H(m)	E(lx)	D(m)
1	638	1.15	1	2644	0.29
2	160	2.30	2	661	0.57
3	71	3.46	3	294	0.85
4	40	4.61	4	165	1.14
5	26	5.76	5	106	1.42

Light effect and planning aid



Emphasis of objects or architectural elements. Wide-beam illumination of larger objects or spatial zones.

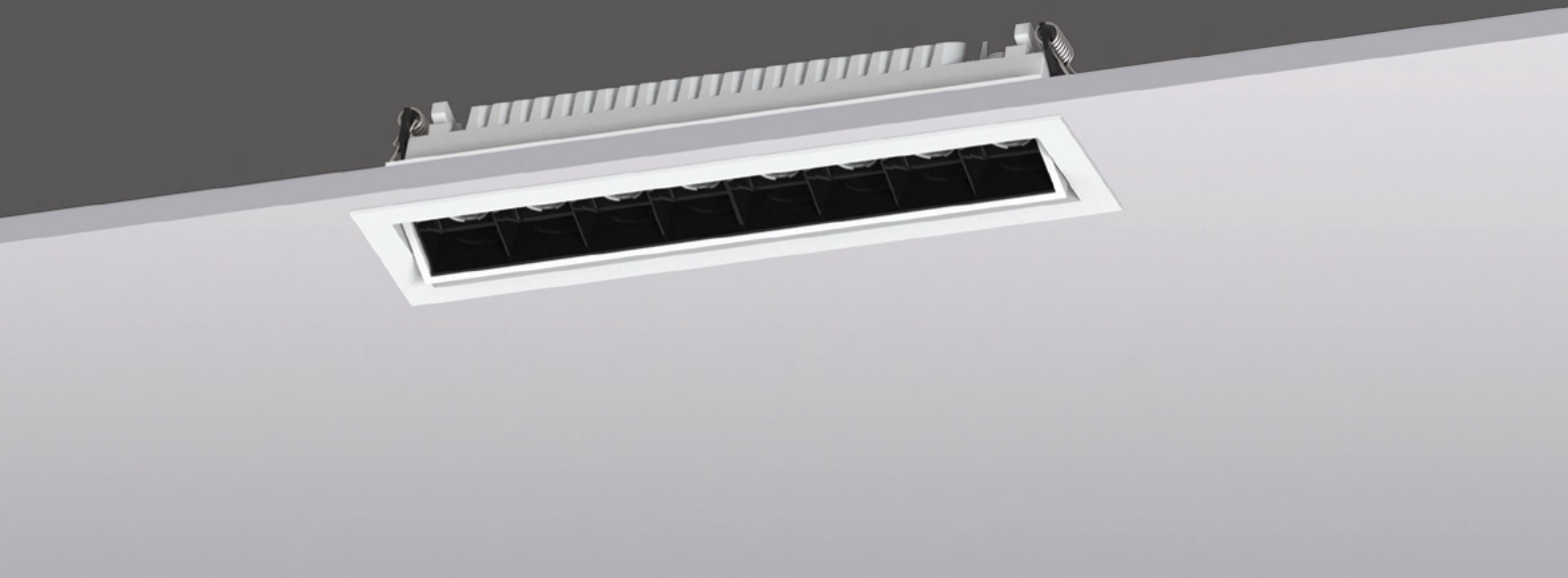
Mounting dimension



11133LED

LINEA

Adjustable 12093LED



Quickinfo

General
Recessed
IP20

LED
CREE
20W
2700K, 3000K, 4000K, 5000K, TW
50000h@L80
CRI≥90
SDCM: 5

OPTICAL
Direct illumination
Beam angle 15°/29°/50°/60°/16°x36°
Optical accessories

ELECTRICAL
Non DIM
PHASE
1-10V
DALI
Bluetooth

PHYSICAL
Aluminum



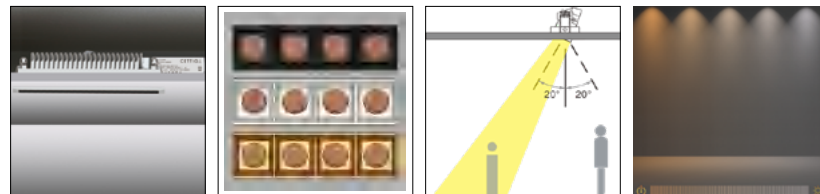
Description

LC linear spotlight, 8 high power LED chips, adjustable angle design, can help you achieve long-distance accurate projection, highlight a single area or object.
Tunable White allows the colour temperature to be continuously adjusted from warm light to cool light.

Applications

Showrooms, Galleries, Restaurants, Museum Hotels, Bars, Retailstores, Shopping centers, Offices, Large architectures and Administration buildings.

Features



Standard configuration

COLOUR TEMPERATURE
2700K
3000K

CONTROL
Non DIM

OPTICAL
15°/29°/50°/60°/16°x36°

COLOUR(housing)
White

COLOUR(reflector)
Black

Extended configuration

COLOUR TEMPERATURE
4000K
5000K

CONTROL
DALI, PHASE, 1-10V

COLOUR(housing)
Black

COLOUR(reflector)
White, Gold

Options on request

COLOUR TEMPERATURE
TW(2700K~5700K)

CONTROL
Bluetooth

Parameters

POWER	VF	CURRENT	CCT	LUMINOUS FLUX
20W	24V	700mA	2700K 3000K	1052~1255 lm 1064~1265 lm

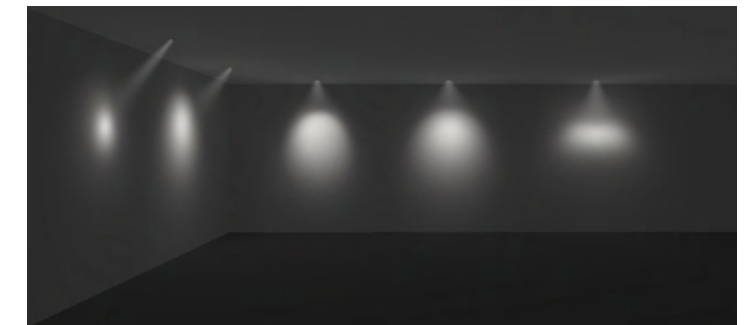
Test standards:
CREE COB, CRI 90, tolerance range of electrical and optical parameters: ±10%.

Light Distribution

20W 15° 3000K Ra90			20W 29° 3000K Ra90			20W 50° 3000K Ra90		
H(m)	E(lx)	D(m)	H(m)	E(lx)	D(m)	H(m)	E(lx)	D(m)
1	11850	0.26	1	4108	0.49	1	1748	0.92
2	2962	0.53	2	1027	0.97	2	437	1.85
3	1317	0.79	3	456	1.46	3	194	2.77
4	741	1.06	4	257	1.95	4	109	3.69
5	474	1.32	5	164	2.44	5	70	4.62

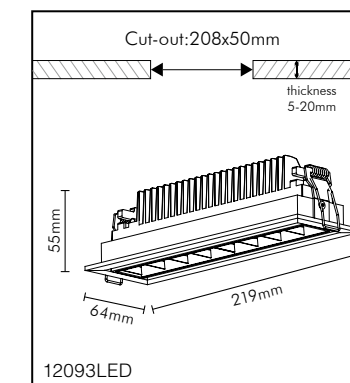
20W 60° 3000K Ra90			20W 16°x36° 3000K Ra90		
H(m)	E(lx)	D(m)	H(m)	E(lx)	D(m)
1	1297	1.14	1	5408	0.27
2	324	2.27	2	1352	0.55
3	144	3.41	3	601	0.82
4	81	4.55	4	338	1.09
5	52	5.68	5	216	1.37

Light effect and planning aid



Emphasis of objects or architectural elements. Wide-beam illumination of larger objects or spatial zones.

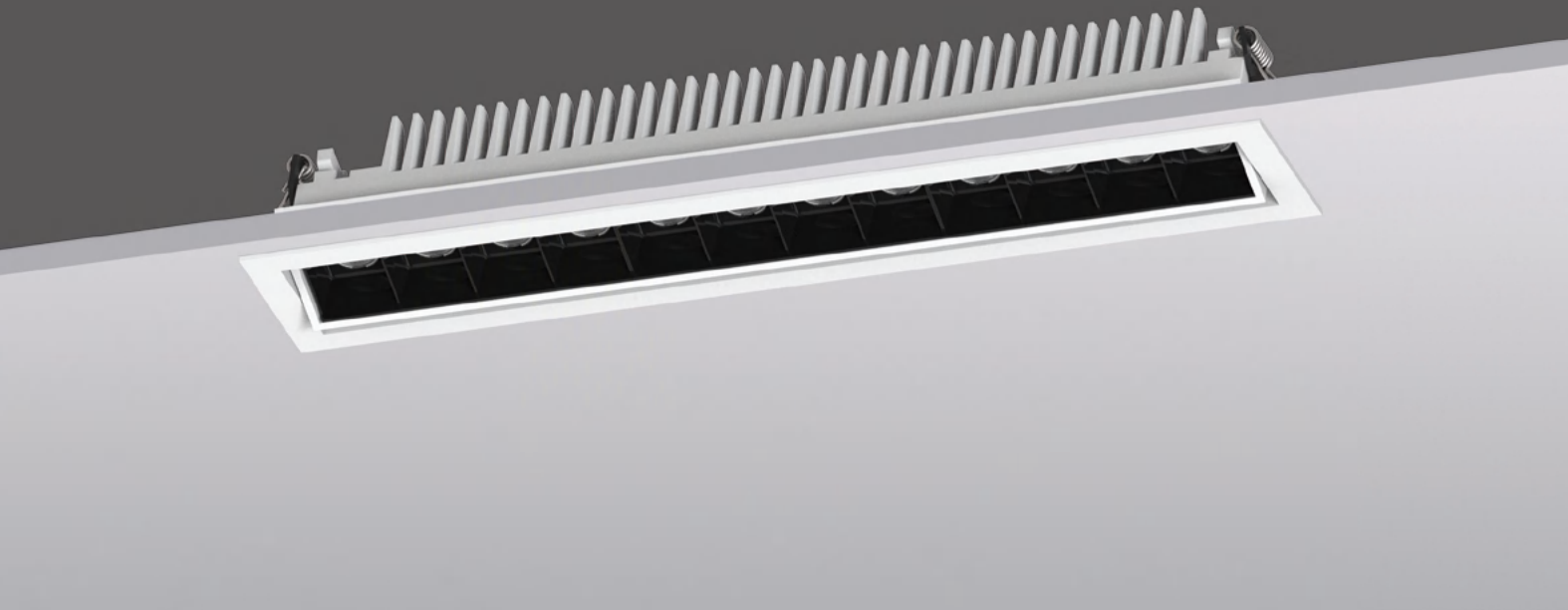
Mounting dimension



12093LED

LINEA

Adjustable 13053LED



Quickinfo

General
Recessed
IP20

LED
CREE
30W
2700K, 3000K, 4000K, 5000K, TW
50000h@L80
CRI≥90
SDCM: 5

OPTICAL
Direct illumination
Beam angle 15°/29°/50°/60°/16°x36°
Optical accessories

ELECTRICAL
Non DIM
PHASE
1-10V
DALI
Bluetooth

PHYSICAL
Aluminum



Description

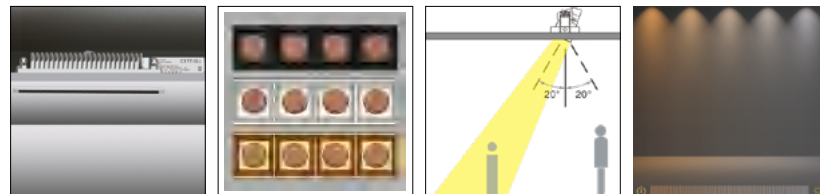
LC linear spotlight, 12 high power LED chips, adjustable angle design, can help you project light to a higher and larger object, provide more light flux and project light to a longer distance at the same time.

Tunable White allows the colour temperature to be continuously adjusted from warm light to cool light.

Applications

Showrooms, Galleries, Restaurants, Museum Hotels, Bars, Retailstores, Shopping centers, Offices, Large architectures and Administration buildings.

Features



Standard configuration

COLOUR TEMPERATURE
2700K
3000K

CONTROL
Non DIM

OPTICAL
15°/29°/50°/60°/16°x36°

COLOUR(housing)
White

COLOUR(reflector)
Black

Extended configuration

COLOUR TEMPERATURE
4000K
5000K

CONTROL
DALI, PHASE, 1-10V

COLOUR(housing)
Black

COLOUR(reflector)
White, Gold

Options on request

COLOUR TEMPERATURE
TW(2700K~5700K)

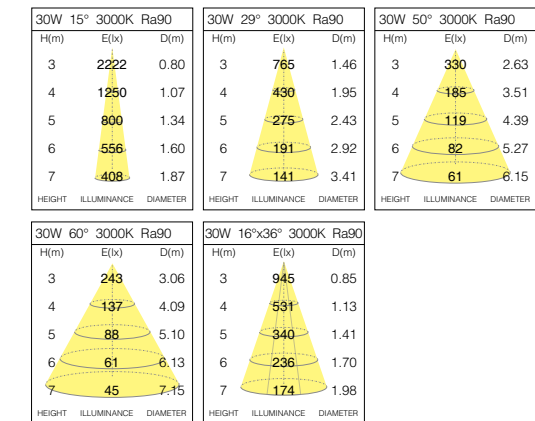
CONTROL
Bluetooth

Parameters

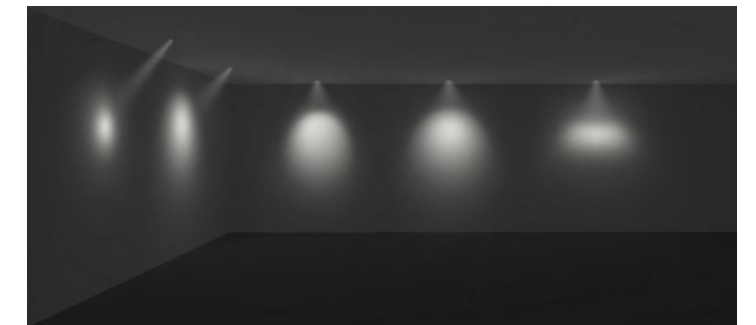
POWER	VF	CURRENT	CCT	LUMINOUS FLUX
30W	36V	700mA	2700K 3000K	1544~1793 lm 1736~2053 lm

Test standards:
CREE COB, CRI 90, tolerance range of electrical and optical parameters: ±10%.

Light Distribution

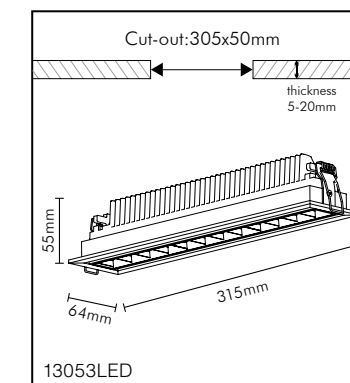


Light effect and planning aid

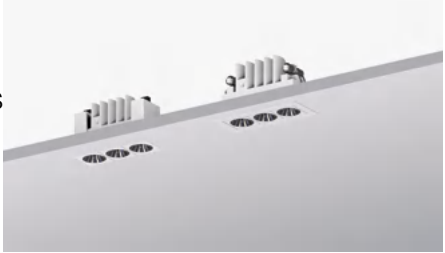


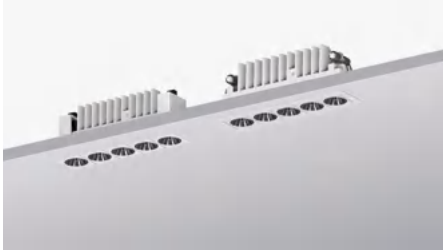
Emphasis of objects or architectural elements. Wide-beam illumination of larger objects or spatial zones.


Mounting dimension





MINILINEA

Triple heads		W1711LED..... <small>Trimless</small> 536
		1711LED..... <small>Trim</small> 536

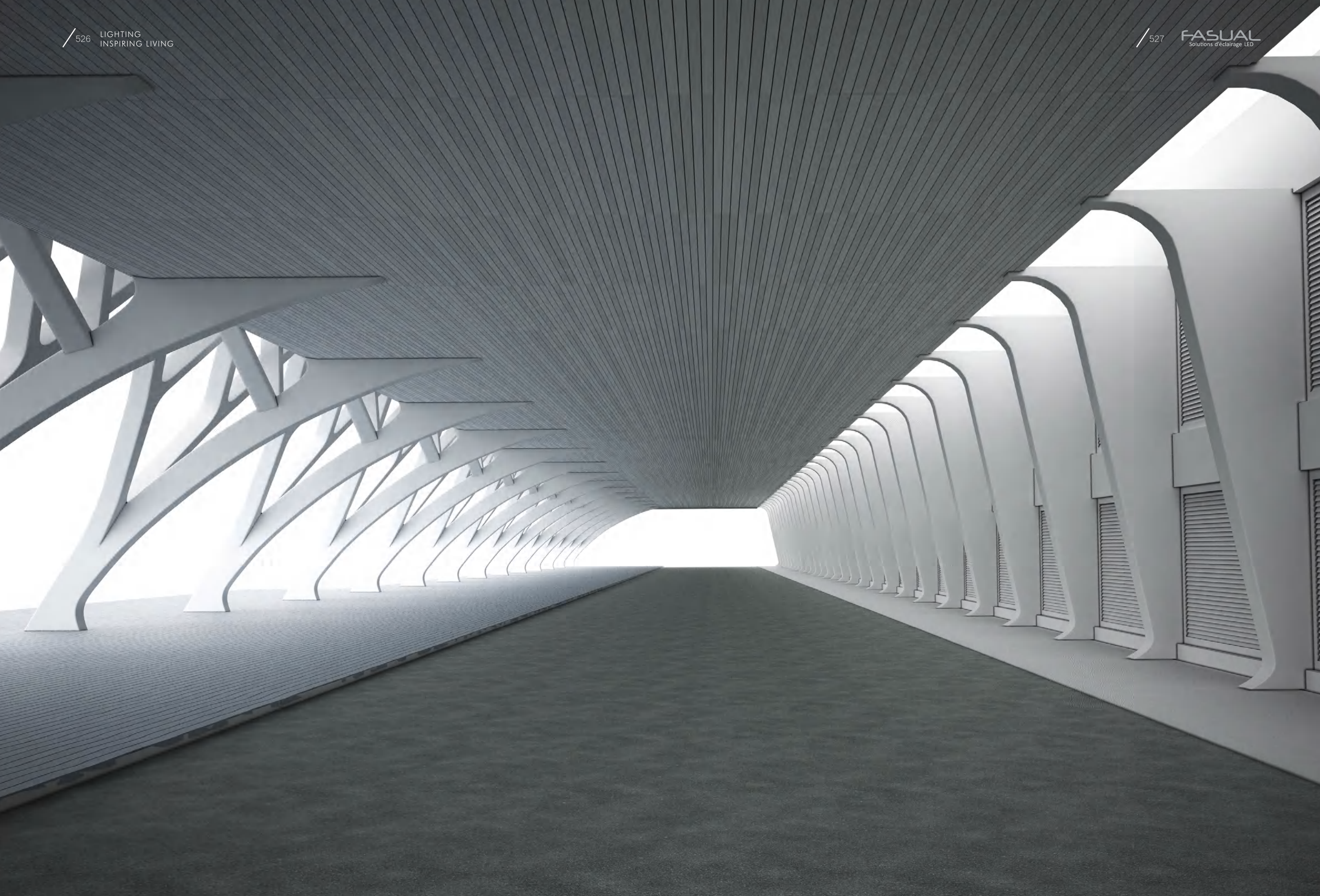
Five heads		W11111LED..... <small>Trimless</small> 538
		11111LED..... <small>Trim</small> 538

Ten heads		W12111LED..... <small>Trimless</small> 540
		12111LED..... <small>Trim</small> 540

Triple heads		1782LED..... <small>Adjustable</small> 548
--------------	---	--

Five heads		11181LED..... <small>Adjustable</small> 550
------------	---	---

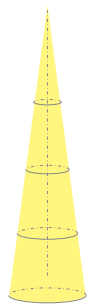
Ten heads		12181LED..... <small>Adjustable</small> 552
-----------	---	---



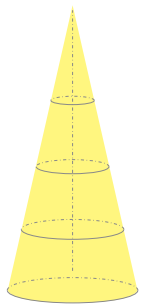
GAMME MINILINEA

- Integrated die-casting aluminum radiator, unique square style and round light outlet design make the appearance more delicate.
- Adopt powder spraying process, high grade and durable.
- 0.2mm ultra-thin silica gel waterproof cover makes the protection grade of the whole lamp reaches IP54.
- The lens cooperates with deep anti-glare structure design makes the spot light pure and soft, as well as great anti-glare effect.
- The reflector is plated with dark chrome to completely hide the light source and realize the effect of seeing light but not seeing lighting body.
- The trimless pre-mounted kit adopts zinc alloy material, ultra-thin and high hardness, beneficial to putty apply.

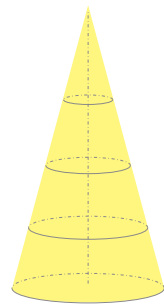
spot



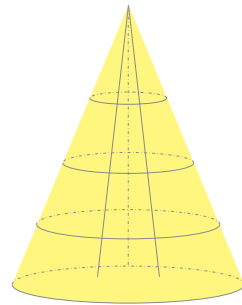
med.



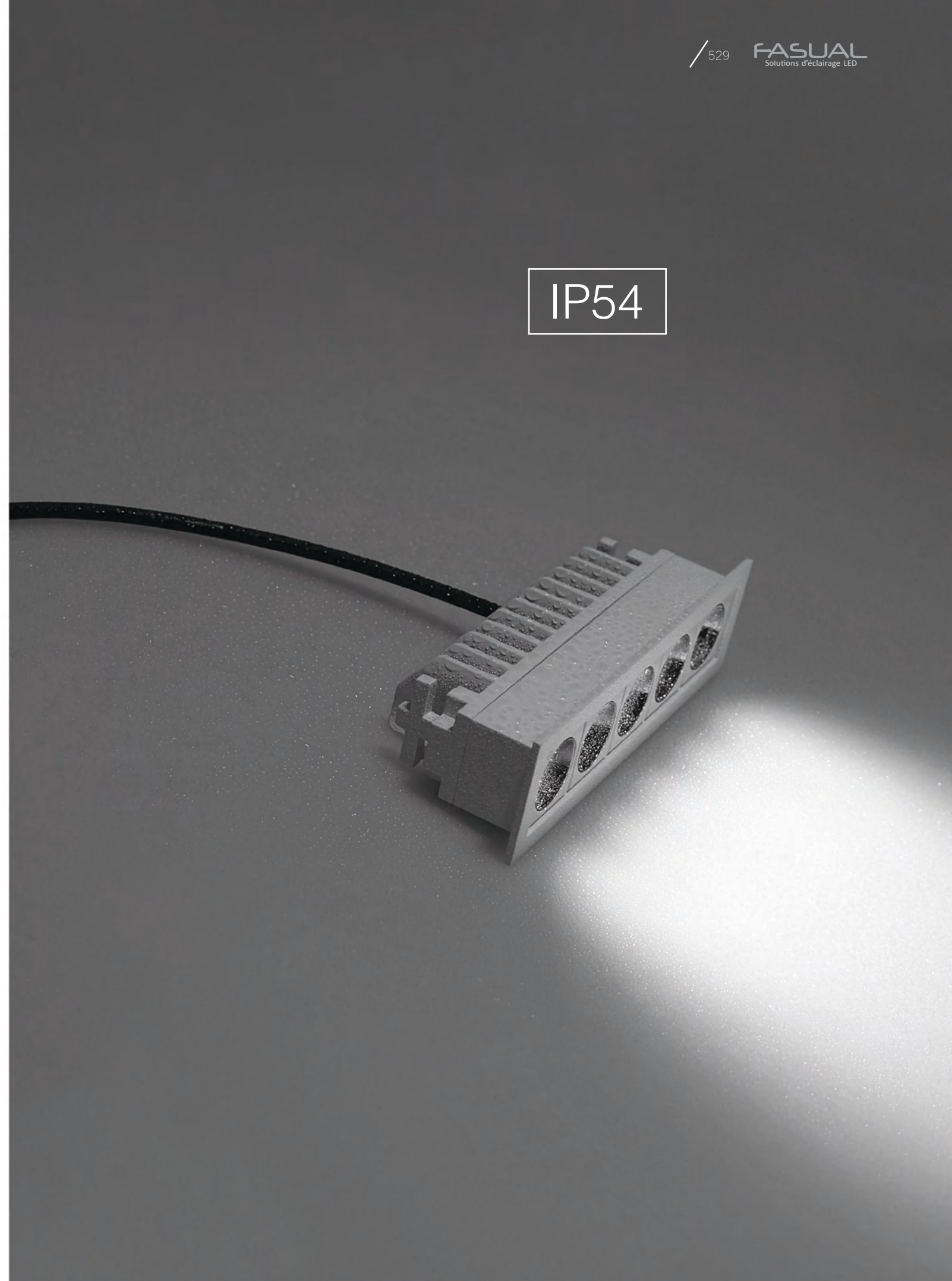
flood



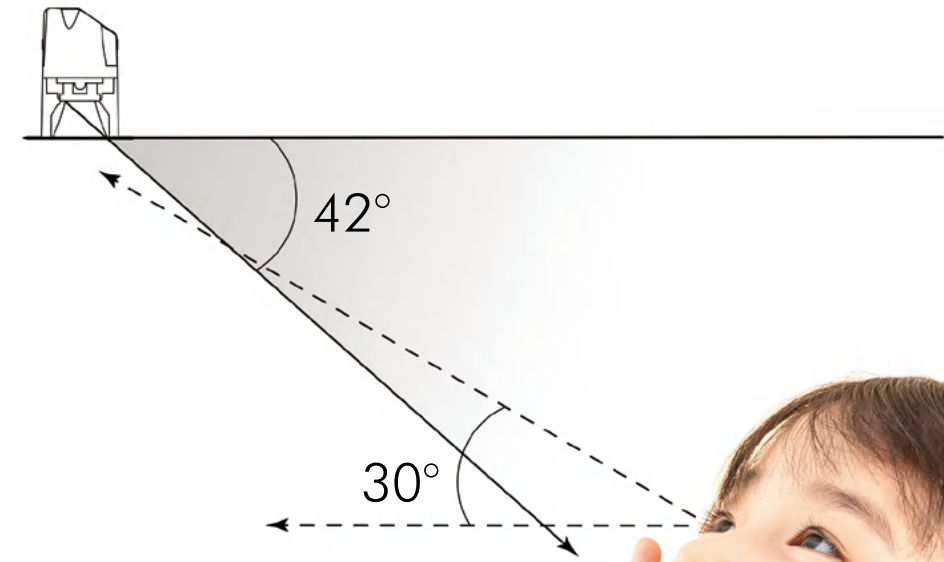
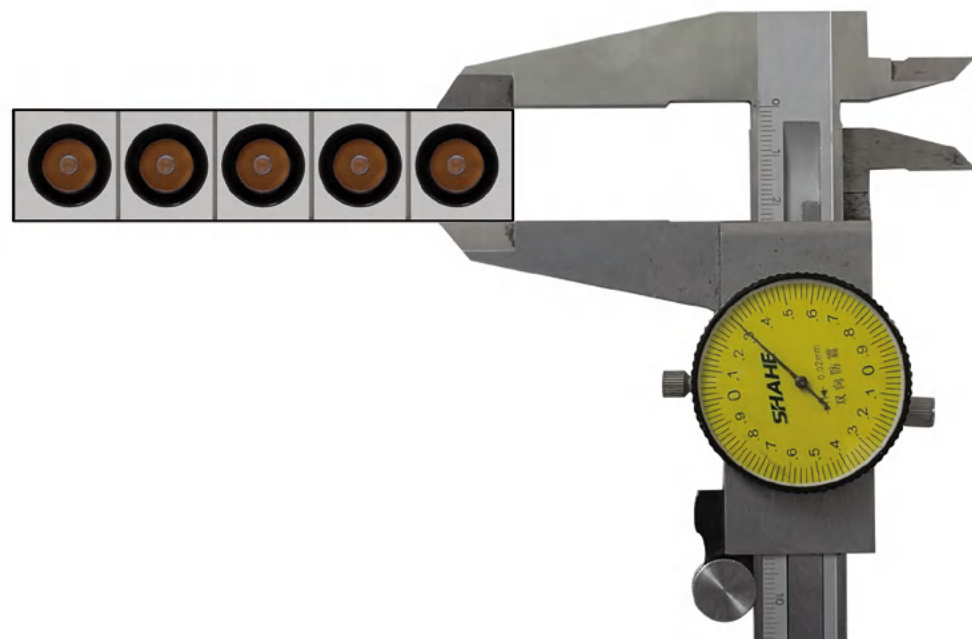
Oval flood



IP54

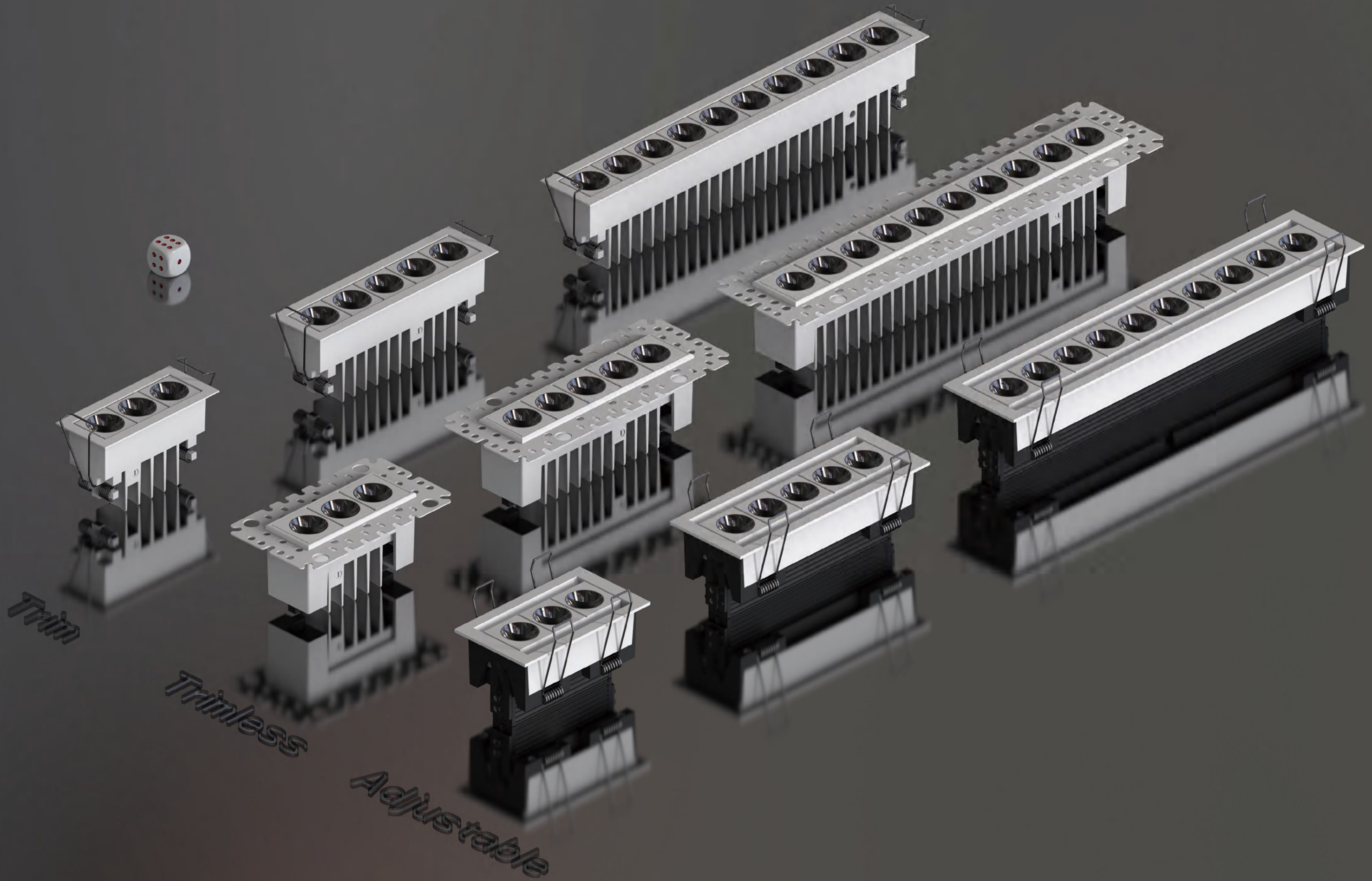


MINILINEA



Glare-control

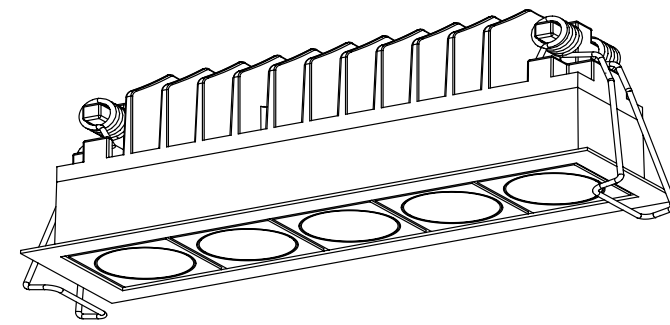
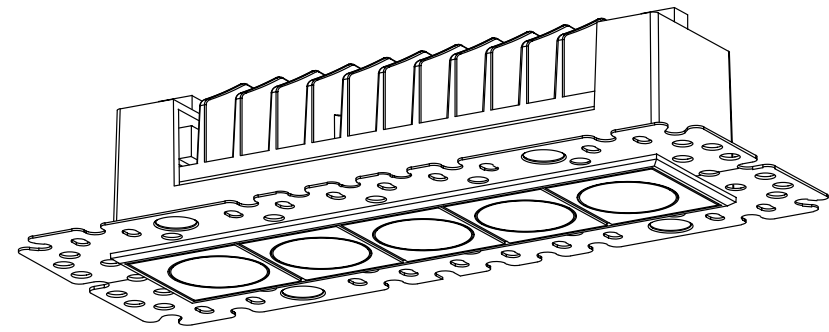
Mini LC series is made of high-quality materials, and its shielding angle is up to 42° under the exquisite appearance of our exclusive design (Generally, when the shielding angle is greater than 30° , the light will not shine directly into the human eye). The lens cooperates with deep anti-glare structure design makes the light spot pure and soft, which is more effectively eliminate the glare of spotlight visual pollution.



Trim

Trimless

Adjustable



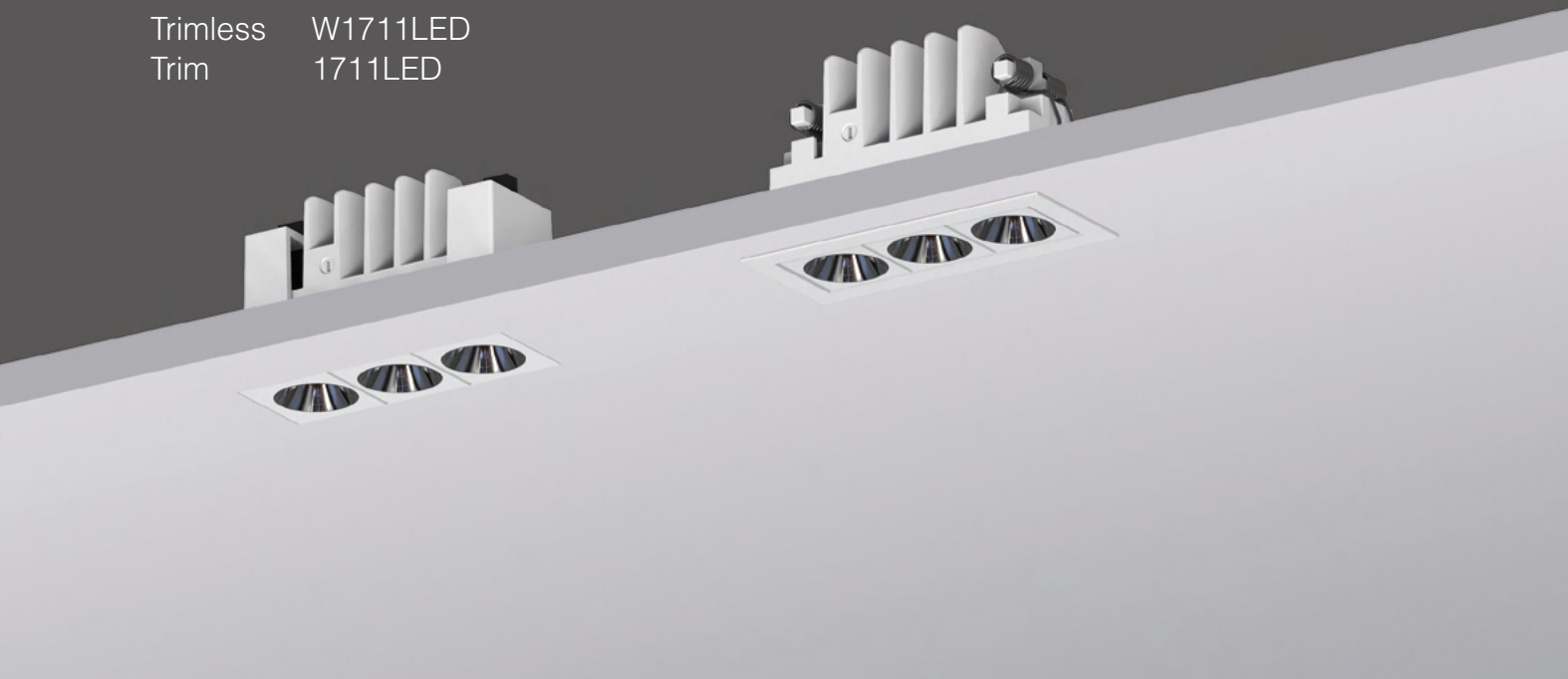
Trimless



Trim

MINILINEA

Trimless W1711LED
Trim 1711LED



Quickinfo

GENERAL
Recessed
IP20~IP54

LED
OSRAM
7W
2700K, 3000K, 4000K, 5000K
50000h@L80
CRI≥90
SDCM: 5

OPTICAL
Direct illumination
Beam angle 15°/24°/33°/13°x45°
Optical accessories

ELECTRICAL
NON-DIM
PHASE
1-10V
DALI
BLUETOOTH

PHYSICAL
Aluminum



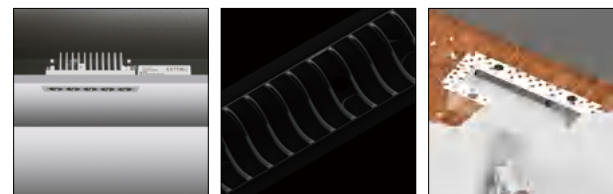
Description

Linear spotlight with three heads modelling design, small size and good concealment can better integrate into the space.

Applications

Villas, Residence buildings, Galleries, Star-rated Hotels, Shopping centers, Exhibition halls, Bars, Restaurants, Offices, etc.

Features



Standard configuration

COLOUR TEMPERATURE
2700K
3000K

CONTROL
NON-DIM

OPTICAL
15°/24°/33°/13°x45°

COLOUR(housing)
White

COLOUR(reflector)
Dark chrome

Extended configuration

COLOUR TEMPERATURE
4000K
5000K

CONTROL
DALI, PHASE, 1-10V

COLOUR(housing)
Black

COLOUR(reflector)
Specular

Options on request

CONTROL
BLUETOOTH

Parameters

POWER	VF	CURRENT	CCT	LUMINOUS FLUX
7W	9V	700mA	2700K 3000K	401~446 lm 452~474 lm

Test standards:
OSRAM COB, CRI 90, tolerance range of electrical and optical parameters: ±10%.

Light Distribution

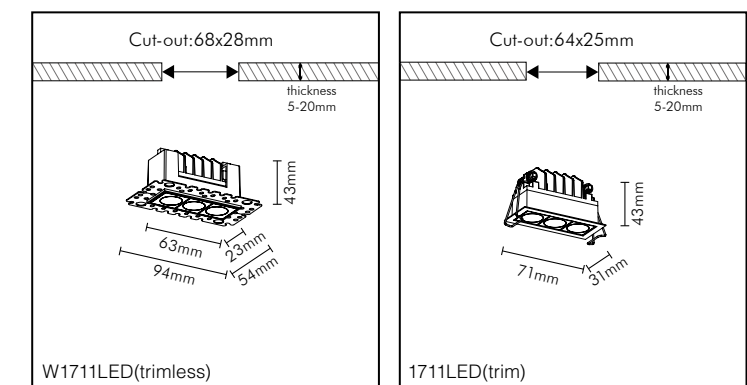
7W 15° 3000K Ra90			7W 24° 3000K Ra90			7W 33° 3000K Ra90			7W 13°x45° 3000K Ra90		
H(m)	E(lx)	D(m)	H(m)	E(lx)	D(m)	H(m)	E(lx)	D(m)	H(m)	E(lx)	D(m)
1	4496	0.25	1	2367	0.41	1	1352	0.54	1	1341	0.29
2	1124	0.49	2	592	0.82	2	338	1.08	2	335	0.58
3	500	0.74	3	263	1.23	3	150	1.63	3	149	0.87
4	281	0.98	4	148	1.64	4	85	2.17	4	84	1.16
5	180	1.23	5	95	2.05	5	54	2.71	5	54	1.45
HEIGHT	ILLUMINANCE	DIAMETER	HEIGHT	ILLUMINANCE	DIAMETER	HEIGHT	ILLUMINANCE	DIAMETER	HEIGHT	ILLUMINANCE	DIAMETER

Light effect and planning aid



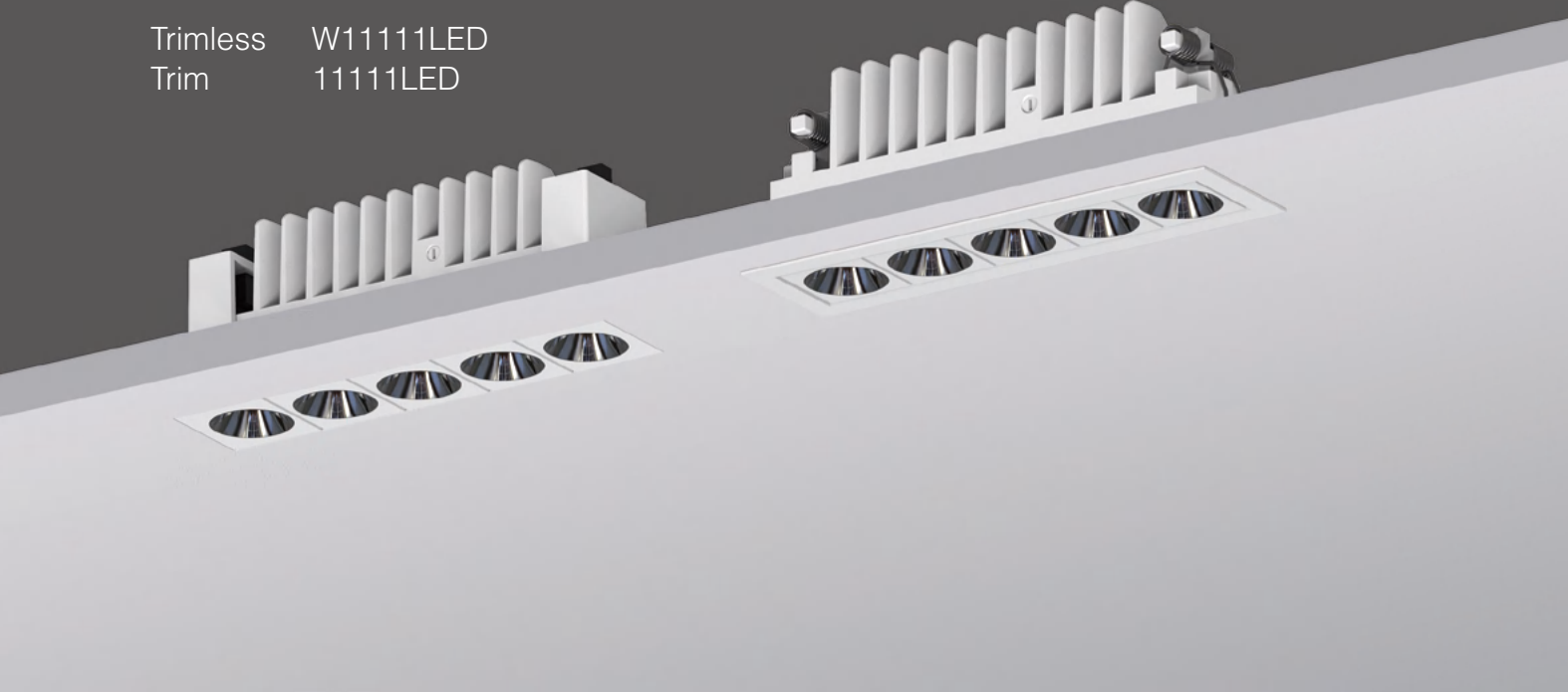
Emphasis of objects or architectural elements. Wide-beam illumination of larger objects or spatial zones.

Mounting dimension



MINILINEA

Trimless W11111LED
Trim 11111LED



Quickinfo

GENERAL
Recessed
IP20~IP54

LED
OSRAM
12W
2700K, 3000K, 4000K, 5000K
50000h@L80
CRI≥90
SDCM: 5

OPTICAL
Direct illumination
Beam angle 15°/24°/33°/13°x45°
Optical accessories

ELECTRICAL
NON-DIM
PHASE
1-10V
DALI
BLUETOOTH

PHYSICAL
Aluminum



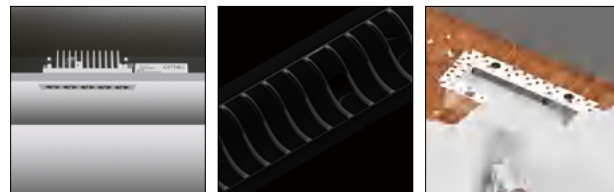
Description

Linear spotlight with five heads modelling design can help the space to add visual dynamic sense and personalization, thus improving the quality of the whole space.

Applications

Villas, Residence buildings, Galleries, Star-rated Hotels, Shopping centers, Exhibition halls, Bars, Restaurants, Offices, etc.

Features



Standard configuration

COLOUR TEMPERATURE
2700K
3000K

CONTROL
NON-DIM

OPTICAL
15°/24°/33°/13°x45°

COLOUR(housing)
White

COLOUR(reflector)
Dark chrome

Extended configuration

COLOUR TEMPERATURE
4000K
5000K

CONTROL
DALI, PHASE, 1-10V

COLOUR(housing)
Black

COLOUR(reflector)
Specular

Options on request

CONTROL
BLUETOOTH

Parameters

POWER	VF	CURRENT	CCT	LUMINOUS FLUX
12W	15V	700mA	2700K	647~689 lm
			3000K	739~759 lm

Test standards:
OSRAM COB, CRI 90, tolerance range of electrical and optical parameters: ±10%.

Light Distribution

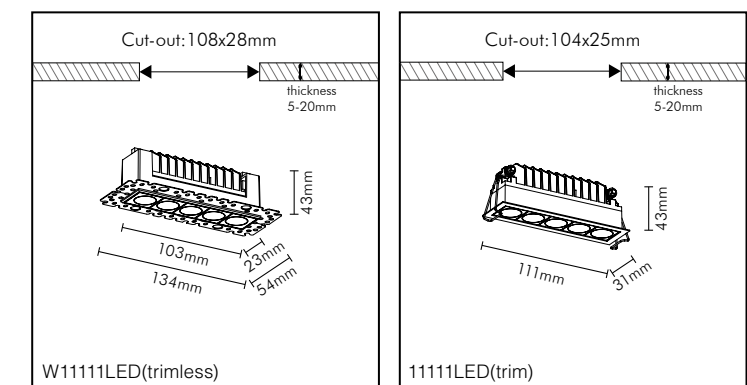
12W 15° 3000K Ra90			12W 24° 3000K Ra90			12W 33° 3000K Ra90			12W 13°x45° 3000K Ra90		
H(m)	E(lx)	D(m)	H(m)	E(lx)	D(m)	H(m)	E(lx)	D(m)	H(m)	E(lx)	D(m)
1	6854	0.25	1	3730	0.41	1	1565	0.65	1	2274	0.28
2	1714	0.51	2	932	0.82	2	391	1.30	2	569	0.57
3	762	0.76	3	414	1.22	3	174	1.95	3	253	0.85
4	428	1.01	4	233	1.63	4	98	2.61	4	142	1.13
5	274	1.26	5	149	2.04	5	63	3.26	5	91	1.42

Light effect and planning aid



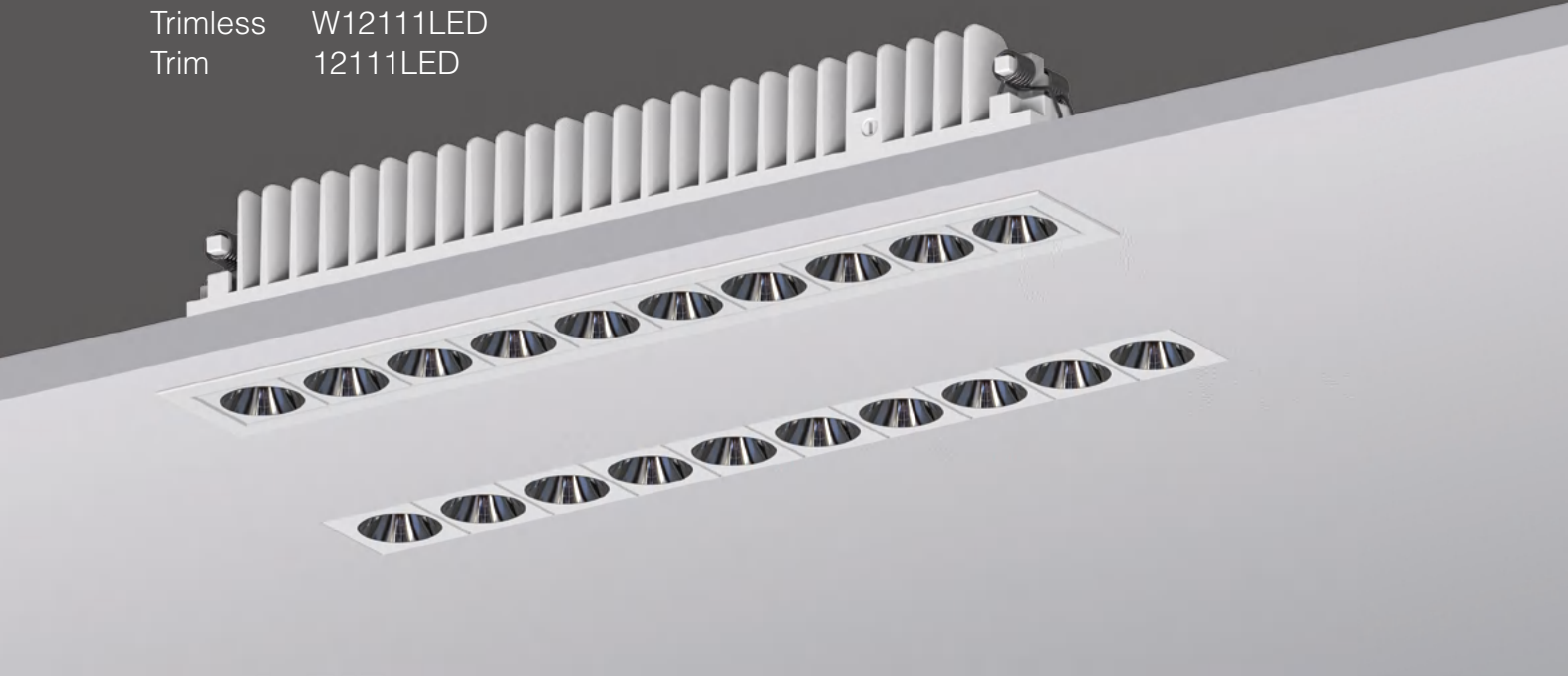
Emphasis of objects or architectural elements. Wide-beam illumination of larger objects or spatial zones.

Mounting dimension



MINILINEA

Trimless W12111LED
Trim 12111LED



Quickinfo

GENERAL
Recessed
IP20~IP54

LED
OSRAM
24W
2700K, 3000K, 4000K, 5000K
50000h@L80
CRI≥90
SDCM: 5

OPTICAL
Direct illumination
Beam angle 15°/24°/33°/13°x45°
Optical accessories

ELECTRICAL
NON-DIM
PHASE
1-10V
DALI
BLUETOOTH

PHYSICAL
Aluminum



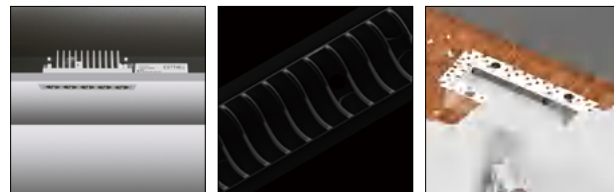
Description

Linear spotlight with ten heads modelling design can help to increase the visual guidance and enhance the extension of space.

Applications

Villas, Residence buildings, Galleries, Star-rated Hotels, Shopping centers, Exhibition halls, Bars, Restaurants, Offices, etc.

Features



Standard configuration

COLOUR TEMPERATURE
2700K
3000K

CONTROL
NON-DIM

OPTICAL
15°/24°/33°/13°x45°

COLOUR(housing)
White

COLOUR(reflector)
Dark chrome

Extended configuration

COLOUR TEMPERATURE
4000K
5000K

CONTROL
DALI, PHASE, 1-10V

COLOUR(housing)
Black

COLOUR(reflector)
Specular

Options on request

CONTROL
BLUETOOTH

Parameters

POWER	VF	CURRENT	CCT	LUMINOUS FLUX
24W	30V	700mA	2700K 3000K	1295~1410 lm 1456~1677 lm

Light Distribution

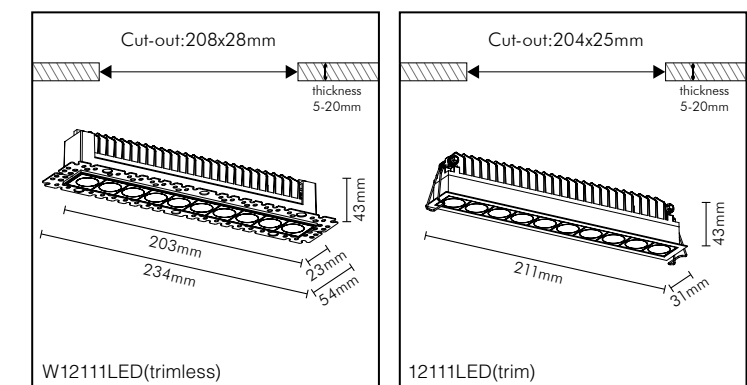
24W 15° 3000K Ra90			24W 24° 3000K Ra90			24W 33° 3000K Ra90			24W 13°x45° 3000K Ra90		
H(m)	E(lx)	D(m)	H(m)	E(lx)	D(m)	H(m)	E(lx)	D(m)	H(m)	E(lx)	D(m)
3	1559	0.73	3	836	1.23	3	463	1.69	3	485	0.85
4	877	0.97	4	471	1.64	4	260	2.26	4	273	1.13
5	561	1.22	5	301	2.05	5	167	2.82	5	174	1.42
6	390	1.46	6	209	2.45	6	116	3.38	6	121	1.70
7	286	1.70	7	154	2.86	7	85	3.95	7	89	1.99

Light effect and planning aid



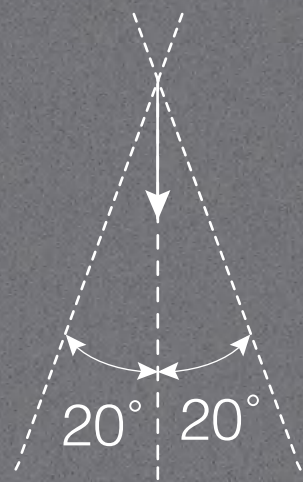
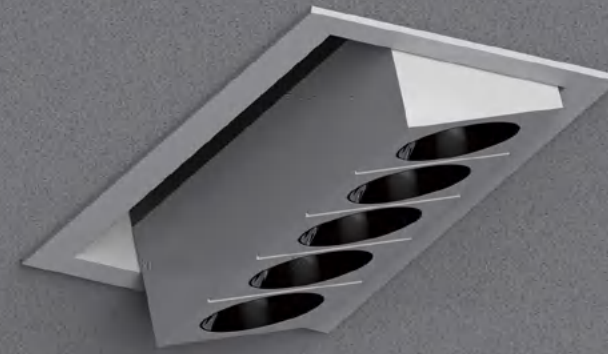
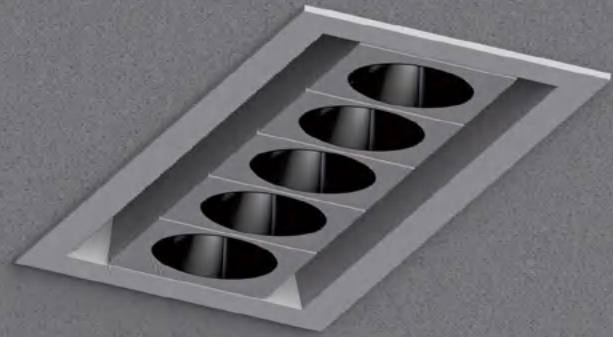
Emphasis of objects or architectural elements. Wide-beam illumination of larger objects or spatial zones.

Mounting dimension









MINILINEA

Adjustable 1782LED



Standard configuration

COLOUR TEMPERATURE
2700K
3000K

CONTROL
NON-DIM

OPTICAL
15°/24°/33°/13°x45°

COLOUR(housing)
White

COLOUR(reflector)
Dark chrome

Parameters

POWER	VF	CURRENT	CCT	LUMINOUS FLUX
7W	9V	700mA	2700K	401~446 lm
			3000K	452~474 lm

Test standards:
OSRAM COB, CRI 90, tolerance range of electrical and optical parameters: ±10%.

Light Distribution

7W 15° 3000K Ra90			7W 24° 3000K Ra90			7W 33° 3000K Ra90			7W 13°x45° 3000K Ra90		
H(m)	E(lx)	D(m)	H(m)	E(lx)	D(m)	H(m)	E(lx)	D(m)	H(m)	E(lx)	D(m)
1	4496	0.25	1	2367	0.41	1	1352	0.54	1	1341	0.29
2	1124	0.49	2	592	0.82	2	338	1.08	2	335	0.58
3	500	0.74	3	263	1.23	3	150	1.63	3	149	0.87
4	281	0.98	4	148	1.64	4	85	2.17	4	84	1.16
5	180	1.23	5	95	2.05	5	54	2.71	5	54	1.45

Extended configuration

COLOUR TEMPERATURE
4000K
5000K

CONTROL
DALI, PHASE, 1-10V

COLOUR(housing)
Black

COLOUR(reflector)
Specular

Light effect and planning aid



Emphasis of objects or architectural elements. Wide-beam illumination of larger objects or spatial zones.

Quickinfo

GENERAL
Recessed
IP20

LED
OSRAM
7W
2700K, 3000K, 4000K, 5000K
50000h@L80
CRI≥90
SDCM: 5

OPTICAL
Direct illumination
Beam angle 15°/24°/33°/13°x45°
Optical accessories

ELECTRICAL
NON-DIM
PHASE
1-10V
DALI
BLUETOOTH

PHYSICAL
Aluminum



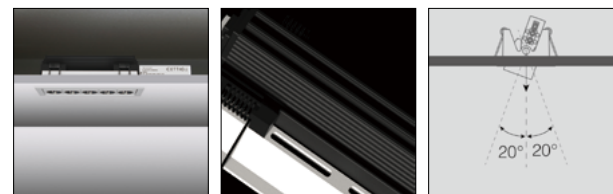
Description

Linear spotlight with three heads modelling and adjustable design can help you to accurately project light onto objects, highlighting individual areas or objects.

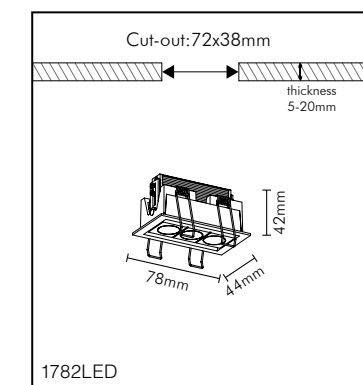
Applications

Villas, Residence buildings, Galleries, Star-rated Hotels, Shopping centers, Exhibition halls, Bars, Restaurants, Offices, etc.

Features



Mounting dimension



MINILINEA

Adjustable 11181LED



Quickinfo

GENERAL
Recessed
IP20

LED
OSRAM
12W
2700K, 3000K, 4000K, 5000K
50000h@L80
CRI≥90
SDCM: 5

OPTICAL
Direct illumination
Beam angle 15°/24°/33°/13°x45°
Optical accessories

ELECTRICAL
NON-DIM
PHASE
1-10V
DALI
BLUETOOTH

PHYSICAL
Aluminum



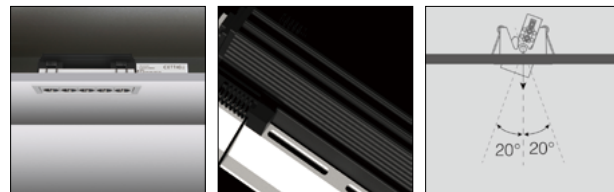
Description

Linear spotlight with five heads modelling and adjustable design can realize precise projection in narrow space, and can be easily integrated into any environment.

Applications

Villas, Residence buildings, Galleries, Star-rated Hotels, Shopping centers, Exhibition halls, Bars, Restaurants, Offices, etc.

Features



Standard configuration

COLOUR TEMPERATURE
2700K
3000K

CONTROL
NON-DIM

OPTICAL
15°/24°/33°/13°x45°

COLOUR(housing)
White

COLOUR(reflector)
Dark chrome

Extended configuration

COLOUR TEMPERATURE
4000K
5000K

CONTROL
DALI, PHASE, 1-10V

COLOUR(housing)
Black

COLOUR(reflector)
Specular

Options on request

CONTROL
BLUETOOTH

Parameters

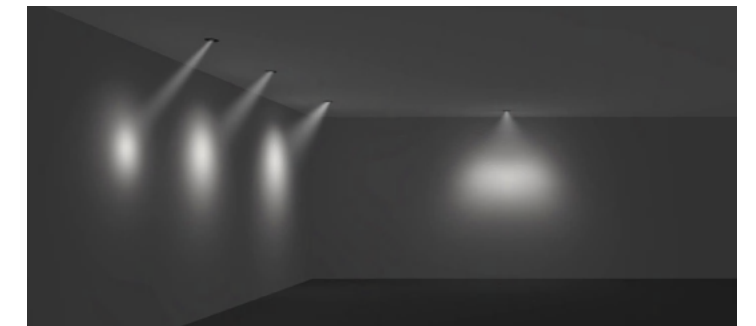
POWER	VF	CURRENT	CCT	LUMINOUS FLUX
12W	15V	700mA	2700K	647~689 lm
			3000K	739~759 lm

Test standards:
OSRAM COB, CRI 90, tolerance range of electrical and optical parameters: ±10%.

Light Distribution

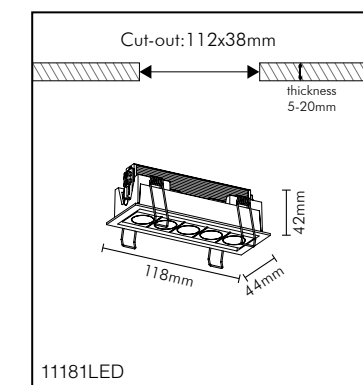
12W 15° 3000K Ra90			12W 24° 3000K Ra90			12W 33° 3000K Ra90			12W 13°x45° 3000K Ra90		
H(m)	E(lx)	D(m)	H(m)	E(lx)	D(m)	H(m)	E(lx)	D(m)	H(m)	E(lx)	D(m)
1	6854	0.25	1	3730	0.41	1	1565	0.65	1	2274	0.28
2	1714	0.51	2	932	0.82	2	391	1.30	2	569	0.57
3	762	0.76	3	414	1.22	3	174	1.95	3	253	0.85
4	428	1.01	4	233	1.63	4	98	2.61	4	142	1.13
5	274	1.26	5	149	2.04	5	63	3.26	5	91	1.42

Light effect and planning aid



Emphasis of objects or architectural elements. Wide-beam illumination of larger objects or spatial zones.

Mounting dimension



11181LED

MINILINEA

Adjustable 12181LED



Quickinfo

GENERAL
Recessed
IP20

LED
OSRAM
24W
2700K, 3000K, 4000K, 5000K
50000h@L80
CRI≥90
SDCM: 5

OPTICAL
Direct illumination
Beam angle 15°/24°/33°/13°x45°
Optical accessories

ELECTRICAL
NON-DIM
PHASE
1-10V
DALI
BLUETOOTH

PHYSICAL
Aluminum



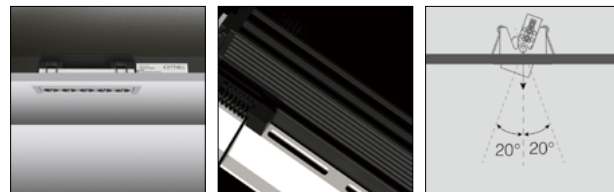
Description

Linear spotlight with ten heads modelling and adjustable design can help you to project light onto higher and larger objects, provide more luminous flux, and at the same time, can project light to a greater distance.

Applications

Villas, Residence buildings, Galleries, Star-rated Hotels, Shopping centers, Exhibition halls, Bars, Restaurants, Offices, etc.

Features



Standard configuration

COLOUR TEMPERATURE
2700K
3000K

CONTROL
NON-DIM

OPTICAL
15°/24°/33°/13°x45°

COLOUR(housing)
White

COLOUR(reflector)
Dark chrome

Extended configuration

COLOUR TEMPERATURE
4000K
5000K

CONTROL
DALI, PHASE, 1-10V

COLOUR(housing)
Black

COLOUR(reflector)
Specular

Options on request

CONTROL
BLUETOOTH

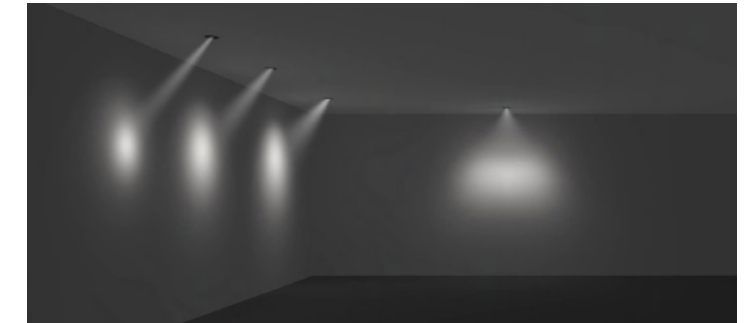
Parameters

POWER	VF	CURRENT	CCT	LUMINOUS FLUX
24W	30V	700mA	2700K 3000K	1295~1410 lm 1456~1677 lm

Light Distribution

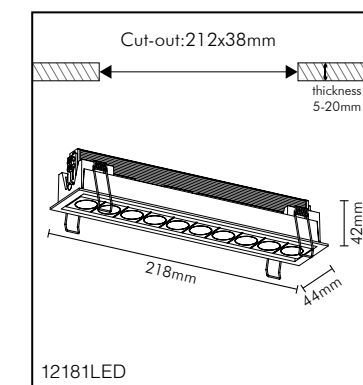
24W 15° 3000K Ra90			24W 24° 3000K Ra90			24W 33° 3000K Ra90			24W 13°x45° 3000K Ra90		
H(m)	E(lx)	D(m)	H(m)	E(lx)	D(m)	H(m)	E(lx)	D(m)	H(m)	E(lx)	D(m)
3	1559	0.73	3	836	1.23	3	463	1.69	3	485	0.85
4	877	0.97	4	471	1.64	4	260	2.26	4	273	1.13
5	561	1.22	5	301	2.05	5	167	2.82	5	174	1.42
6	390	1.46	6	209	2.45	6	116	3.38	6	121	1.70
7	286	1.70	7	154	2.86	7	85	3.95	7	89	1.99

Light effect and planning aid



Emphasis of objects or architectural elements. Wide-beam illumination of larger objects or spatial zones.

Mounting dimension



12181LED






PICCOLO

<p>φ39mm Adjustable</p>		<p>1392LED..... 568</p>
-----------------------------	---	-------------------------

<p>φ39mm</p>		<p>1394LED..... 572</p>
--------------	---	-------------------------

<p>φ40mm</p>		<p>1401LED..... 576</p>
--------------	--	-------------------------

<p>φ62mm</p>		<p>1621LED..... 580</p>
--------------	---	-------------------------



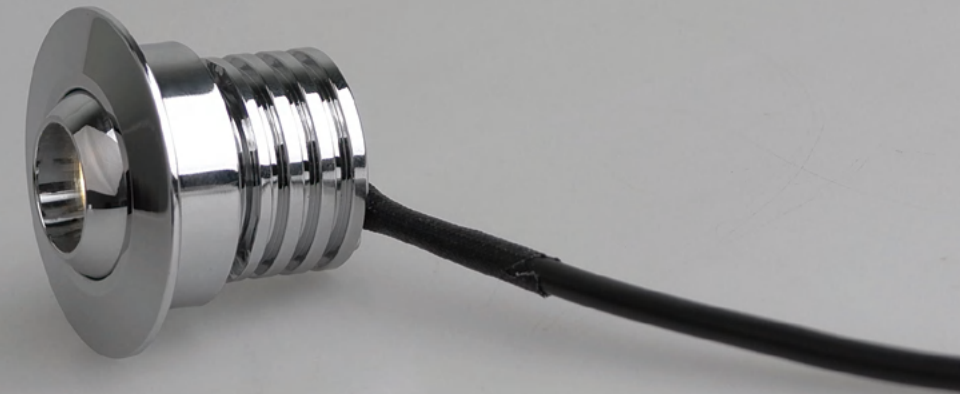
· HUNTERS POINT LIBRARY ·

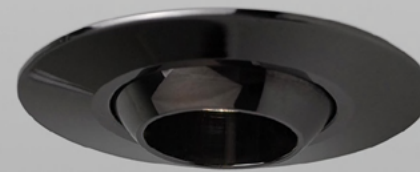
La rigueur vient toujours à bout de l'obstacle.

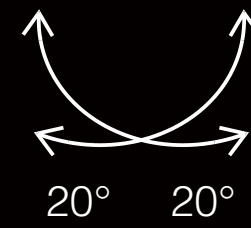
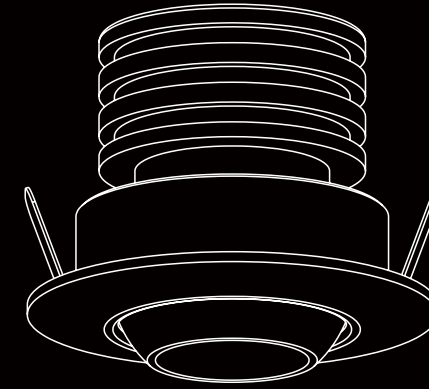
Leonard de Vinci

PICCOLO

- Aluminum heat sink, anodizing on the surface, good heat dissipation effect.
- High power single light source design, pure and soft spot, no shadow.
- Lens with deep anti-glare design, good anti-glare effect.
- A variety of different color designs to meet the coordination between different materials.
- Small size, suitable for low and narrow spaces.







PICCOLO

1392LED



Quickinfo

GENERAL
Recessed
IP20

LED
CREE
1W, 3W
2700K, 3000K, 4000K, 5000K
50000h@L80
CRI≥90
SDCM: 5

OPTICAL
Direct illumination
Beam angle 15°/20°/25°/30°
Optical accessories

ELECTRICAL
NON-DIM,
PHASE,
1-10V,
DALI,
BLUETOOTH

PHYSICAL
Aluminum



Description

Universal adjustable design can help you achieve close focus projection. White, specular chrome, dark chrome design can better combine with different materials.

Applications

Showrooms, Galleries, Restaurants, Museum, Hotels, Bars, Shopping centers and retail stores, etc.

Features



Standard configuration

COLOUR TEMPERATURE
2700K
3000K

CONTROL
NON-DIM

OPTICAL
15°/20°/25°/30°

COLOUR(housing)
White, specular chrome,
dark chrome

COLOUR(reflector)
White, specular chrome,
dark chrome

Extended configuration

COLOUR TEMPERATURE
4000K
5000K

CONTROL
DALI, PHASE, 1-10V

Options on request

CONTROL
BLUETOOTH

Parameters

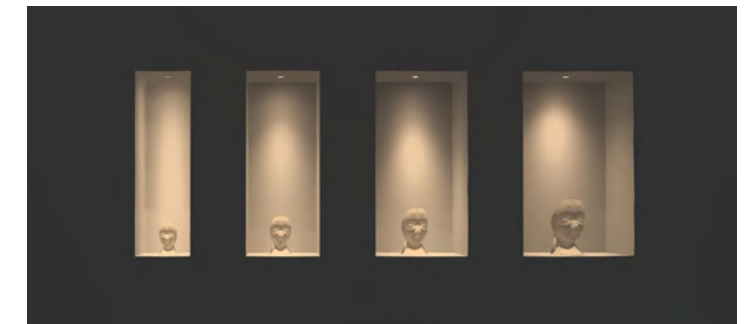
POWER	VF	CURRENT	CCT	LUMINOUS FLUX
1W	3V	350mA	2700K	73~88 lm
			3000K	94~102 lm
3W	3V	700mA	2700K	132~160 lm
			3000K	163~181 lm

Test standards:
CREE COB, CRI 90, tolerance range of electrical and optical parameters: ±10%.

Light Distribution

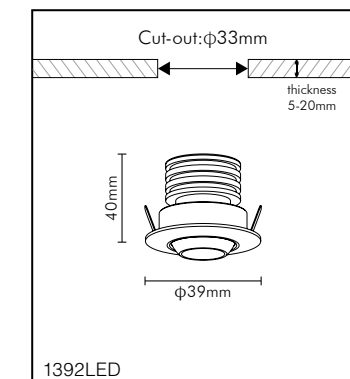
3W 15° 3000K Ra90			3W 20° 3000K Ra90			3W 25° 3000K Ra90			3W 30° 3000K Ra90		
H(m)	E(x)	D(m)	H(m)	E(x)	D(m)	H(m)	E(x)	D(m)	H(m)	E(x)	D(m)
1	1136	0.29	1	844	0.34	1	720	0.46	1	398	0.60
2	284	0.58	2	211	0.69	2	180	0.92	2	100	1.19
3	126	0.87	3	94	1.03	3	80	1.38	3	44	1.79
4	71	1.17	4	53	1.37	4	45	1.84	4	25	2.39
5	46	1.46	5	34	1.72	5	29	2.30	5	16	2.98

Light effect and planning aid



Emphasis of objects or architectural elements.

Mounting dimension

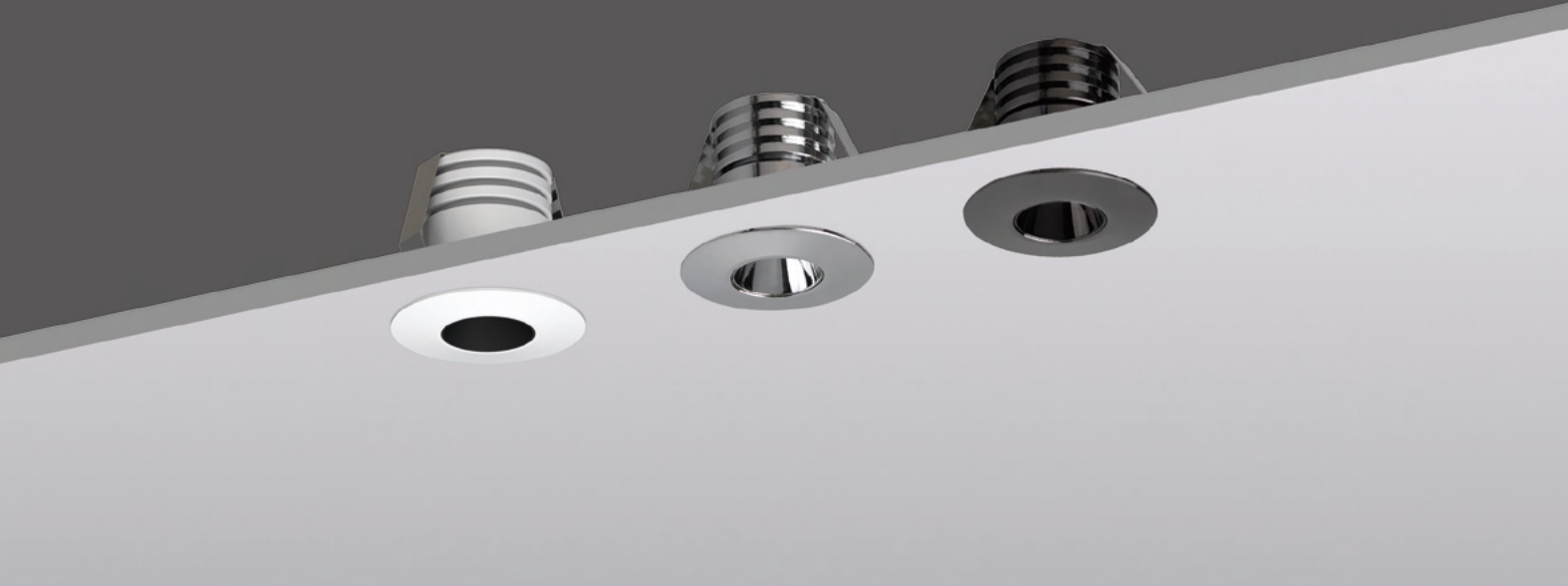


1392LED



PICCOLO

1394LED



Quickinfo

GENERAL
Recessed
IP20/IP44

LED
CREE
1W, 3W
2700K, 3000K, 4000K, 5000K
50000h@L80
CRI≥90
SDCM: 5

OPTICAL
Direct illumination
Beam angle 15°/20°/25°/30°
Optical accessories

ELECTRICAL
NON-DIM,
PHASE,
1-10V,
DALI,
BLUETOOTH

PHYSICAL
Aluminum



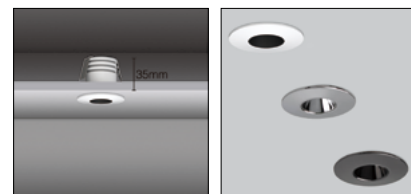
Description

The direct illumination key projection design can achieve the highest protection level of IP44. White, specular chrome, dark chrome design can better combine with different materials.

Applications

Showrooms, Galleries, Restaurants, Museum, Hotels, Bars, Shopping centers and retail stores, etc.

Features



Standard configuration

COLOUR TEMPERATURE
2700K
3000K

CONTROL
NON-DIM

OPTICAL
15°/20°/25°/30°

COLOUR(housing)
White, specular chrome,
dark chrome

COLOUR(reflector)
White, specular chrome,
dark chrome

Extended configuration

COLOUR TEMPERATURE
4000K
5000K

CONTROL
DALI, PHASE, 1-10V

Options on request

CONTROL
BLUETOOTH

Parameters

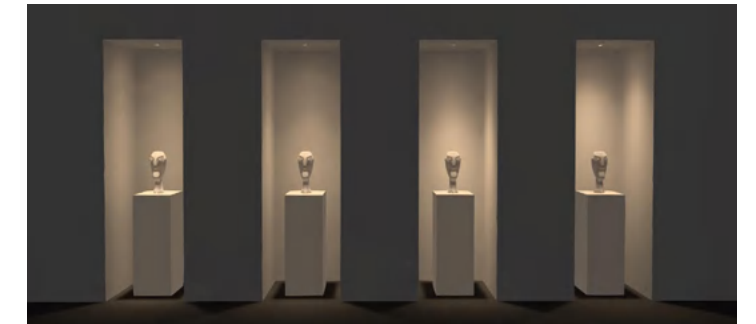
POWER	VF	CURRENT	CCT	LUMINOUS FLUX
1W	3V	350mA	2700K 3000K	71~88 lm 79~89 lm
3W	3V	700mA	2700K 3000K	129~146 lm 134~153 lm

Test standards:
CREE COB, CRI 90, tolerance range of electrical and optical parameters: ±10%.

Light Distribution

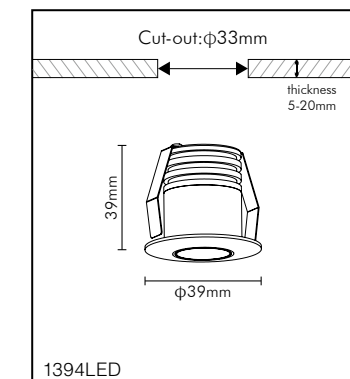
3W 15° 3000K Ra90			3W 20° 3000K Ra90			3W 25° 3000K Ra90			3W 30° 3000K Ra90		
H(m)	E(x)	D(m)	H(m)	E(x)	D(m)	H(m)	E(x)	D(m)	H(m)	E(x)	D(m)
1	1067	0.29	1	741	0.37	1	691	0.46	1	442	0.53
2	267	0.57	2	185	0.74	2	173	0.92	2	110	1.07
3	119	0.86	3	82	1.11	3	77	1.37	3	49	1.60
4	67	1.14	4	46	1.48	4	43	1.83	4	28	2.13
5	43	1.43	5	30	1.86	5	28	2.29	5	18	2.67

Light effect and planning aid



Emphasis of objects or architectural elements.

Mounting dimension



1394LED



PICCOLO

1401LED



Quickinfo

GENERAL
Recessed
IP20

LED
OSRAM
3W
2700K, 3000K, 4000K, 5000K
50000h@L80
CRI≥90
SDCM: 5

OPTICAL
Direct illumination
Beam angle 15°/24°/34°
Optical accessories

ELECTRICAL
NON-DIM,
PHASE,
1-10V,
DALI,
BLUETOOTH

PHYSICAL
Aluminum



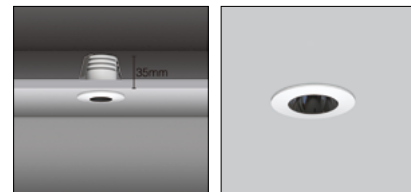
Description

The reflector is plated with black chromium, which completely hides the light source and realizes the effect of no light in sight.

Applications

Showrooms, Galleries, Restaurants, Museum, Hotels, Bars, Shopping centers and retail stores, etc.

Features



Standard configuration

COLOUR TEMPERATURE
2700K
3000K

CONTROL
NON-DIM

OPTICAL
15°/24°/34°

COLOUR(housing)
White

COLOUR(reflector)
Dark chrome

Extended configuration

COLOUR TEMPERATURE
4000K
5000K

CONTROL
DALI, PHASE, 1-10V

Options on request

CONTROL
BLUETOOTH

Parameters

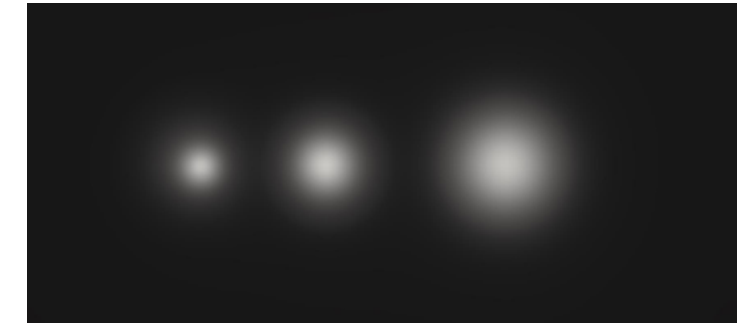
POWER	VF	CURRENT	CCT	LUMINOUS FLUX
3W	3V	700mA	2700K 3000K	152~157 lm 167~171 lm

Test standards:
OSRAM COB, CRI 90, tolerance range of electrical and optical parameters: ±10%.

Light Distribution

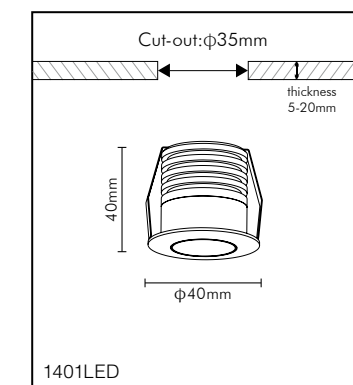
3W 15° 3000K Ra90			3W 24° 3000K Ra90			3W 34° 3000K Ra90		
H(m)	E(lx)	D(m)	H(m)	E(lx)	D(m)	H(m)	E(lx)	D(m)
1	1503	0.26	1	778	0.42	1	353	0.64
2	376	0.52	2	195	0.85	2	88	1.28
3	167	0.78	3	86	1.27	3	39	1.92
4	94	1.03	4	49	1.70	4	22	2.56
5	60	1.29	5	31	2.12	5	14	3.20

Light effect and planning aid

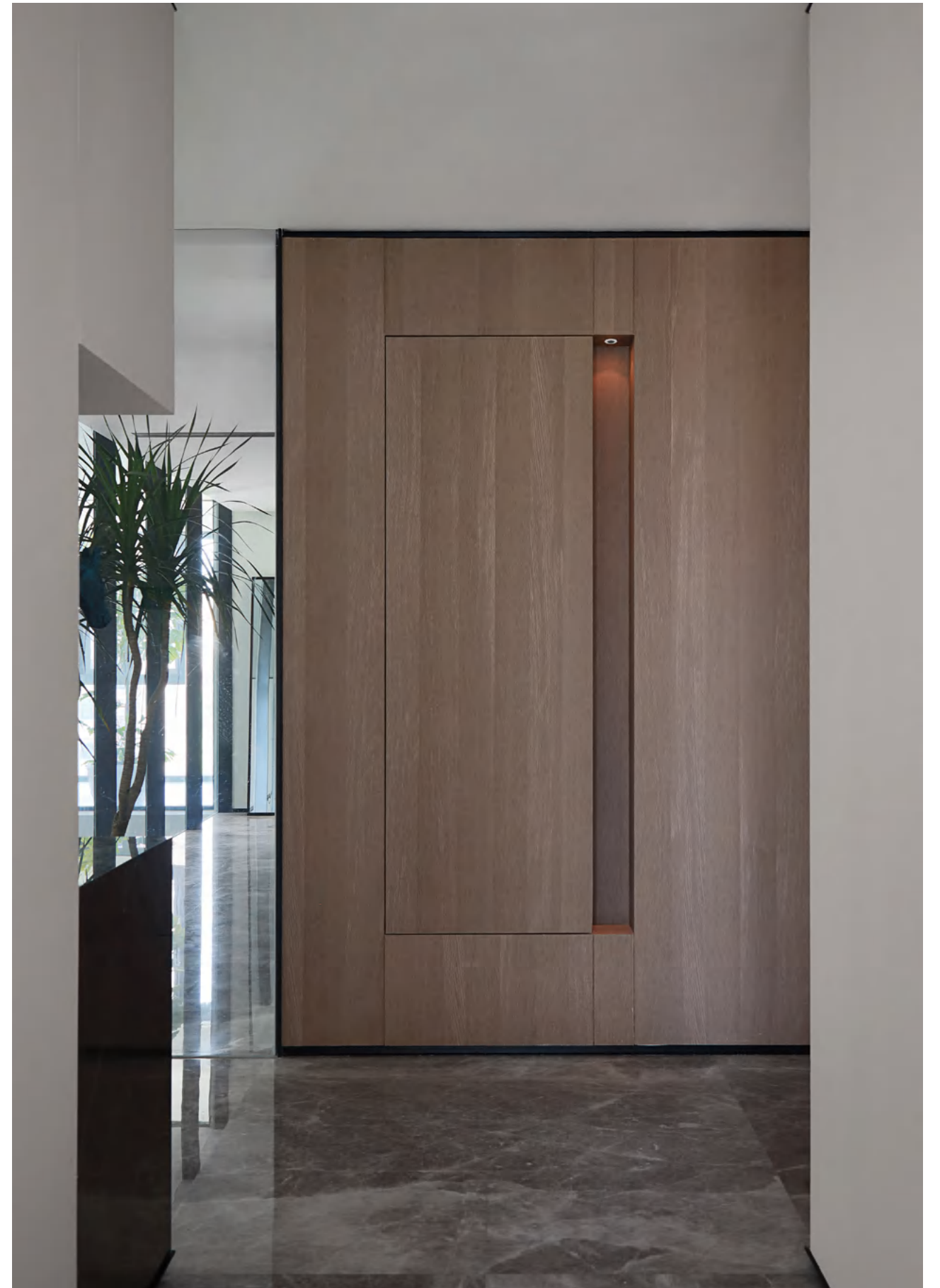


Emphasis of objects or architectural elements.

Mounting dimension



1401LED



PICCOLO

1621LED



Quickinfo

GENERAL
Recessed
IP20

LED
CREE ⇄
7W, 10W
2700K, 3000K, 4000K, 5000K
50000h@L80
CRI≥90
SDCM: 5

OPTICAL
Direct illumination
Beam angle 20°/30°
Optical accessories

ELECTRICAL
NON-DIM,
PHASE,
1-10V,
DALI,
BLUETOOTH

PHYSICAL
Aluminum



Description

The reflector is Dark chrome plated to hide the light source while providing a higher power design and providing more luminous flux.

Applications

Showrooms, Galleries, Restaurants, Museum, Hotels, Bars, Shopping centers and retail stores, etc.

Features



Standard configuration

COLOUR TEMPERATURE
2700K
3000K

CONTROL
NON-DIM

OPTICAL
20°/30°

COLOUR(housing)
Black+White

COLOUR(reflector)
Dark chrome

Extended configuration

COLOUR TEMPERATURE
4000K
5000K

CONTROL
DALI, PHASE, 1-10V

Options on request

CONTROL
BLUETOOTH

Parameters

POWER	VF	CURRENT	CCT	LUMINOUS FLUX
7W	12V	500mA	2700K	348~392 lm
			3000K	352~393 lm
10W	12V	700mA	2700K	409~468 lm
			3000K	412~475 lm

Test standards:
CREE COB, CRI 90, tolerance range of electrical and optical parameters: ±10%.

Light Distribution

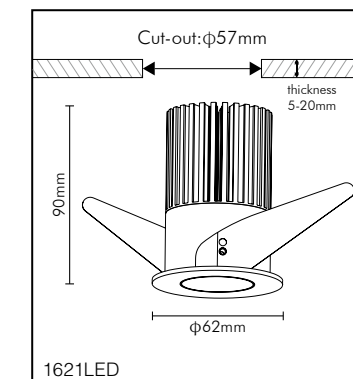
10W 20° 3000K Ra90			10W 30° 3000K Ra90		
H(m)	E(x)	D(m)	H(m)	E(x)	D(m)
1	2494	0.34	1	1215	0.52
2	624	0.68	2	304	1.05
3	277	1.02	3	135	1.57
4	156	1.36	4	76	2.10
5	100	1.70	5	49	2.62

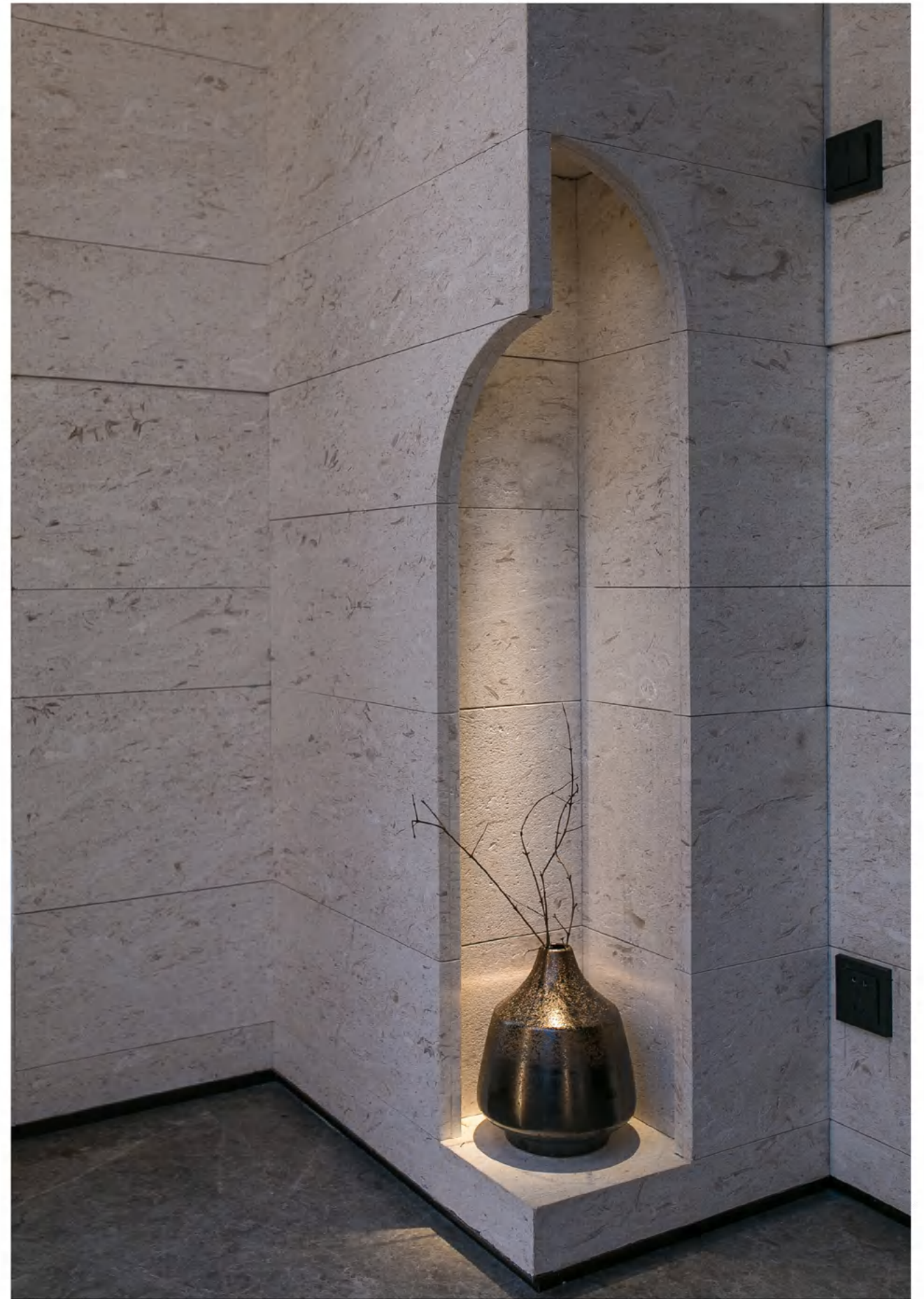
Light effect and planning aid




Emphasis of objects or architectural elements.

Mounting dimension







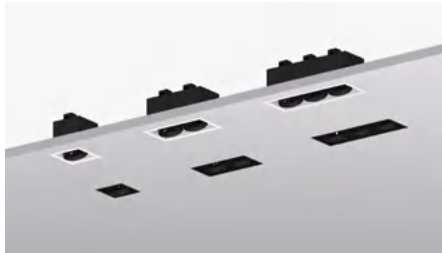
GRIGLIA

Flat ring Lens		W2761LED... ^{Trimless}	600
		2161LED... ^{Trim}	600
		W2762LED... ^{Trimless}	602
		2162LED... ^{Trim}	602
		W2763LED... ^{Trimless}	604
		2163LED... ^{Trim}	604

Snout Lens		W2661LED... ^{Trimless}	612
		2261LED... ^{Trim}	612
		W2662LED... ^{Trimless}	614
		2262LED... ^{Trim}	614
		W2663LED... ^{Trimless}	616
		2263LED... ^{Trim}	616

Reflector		W2811LED... ^{Trimless}	630
		2811LED... ^{Trim}	630
		W2812LED... ^{Trimless}	632
		2812LED... ^{Trim}	632
		W2813LED... ^{Trimless}	634
		2813LED... ^{Trim}	634

Reflector High power		W2911LED... ^{Trimless}	644
		2911LED... ^{Trim}	644
		W2912LED... ^{Trimless}	646
		2912LED... ^{Trim}	646
		W2913LED... ^{Trimless}	648

		2913LED... ^{Trim}	648
Flat ring MR16 GU10		W2761... ^{Trimless}	656
		2161... ^{Trim}	656
		W2762... ^{Trimless}	658
		2162... ^{Trim}	658
		W2763... ^{Trimless}	659
		2163... ^{Trim}	659

Snout MR16 GU10		W2661... ^{Trimless}	660
		2261... ^{Trim}	660
		W2662... ^{Trimless}	662
		2262... ^{Trim}	662
		W2663... ^{Trimless}	663
		2263... ^{Trim}	663

QR111 CDM-R111		W2211... ^{Trimless}	664
		2111... ^{Trim}	664
		W2212... ^{Trimless}	666
		2112... ^{Trim}	666
		W2213... ^{Trimless}	667
		2113... ^{Trim}	667

GAMME GRIGLIA

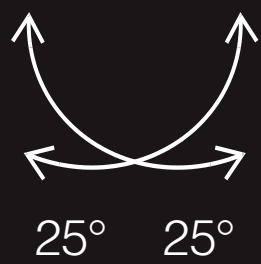
The cardan recessed downlights are in a contemporary design which is made of high-quality die-cast aluminum and stable sheet steel, with two versions of traditional and LED available, customers are able to choose the right one to fit project needs. The traditional version ring can manage to swivel continuously though up to $\pm 30^\circ$, which is compatible with MR16 LED engines and varied halogen bulbs. The LED version head is able to rotate up to 350° , tilt up to $\pm 30^\circ$ to enable a flexible lighting usage.

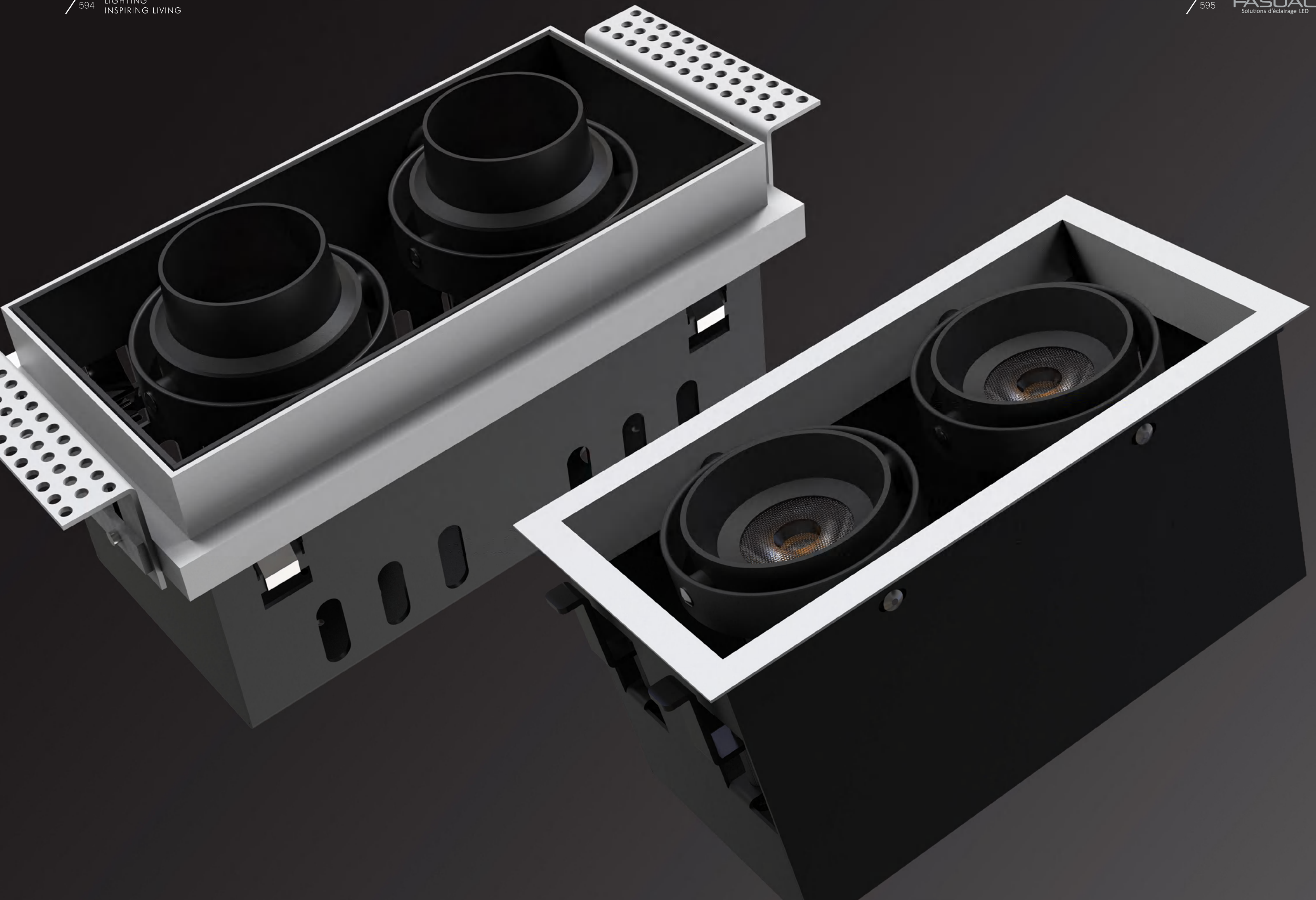






xu zhou gong cheng xue yuan lu shu guan

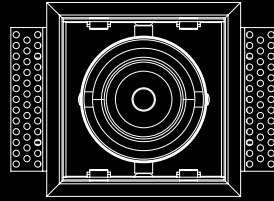




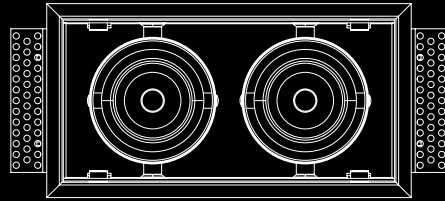
Power

Optical

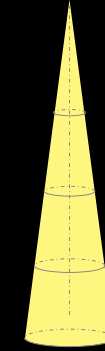
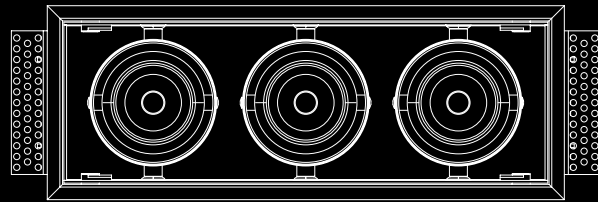
8W
12W



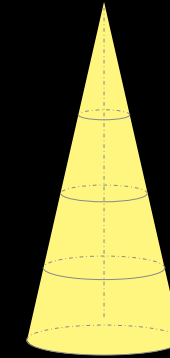
2x8W
2x12W



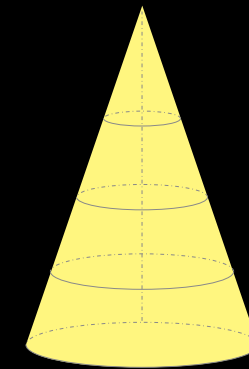
3x8W
3x12W



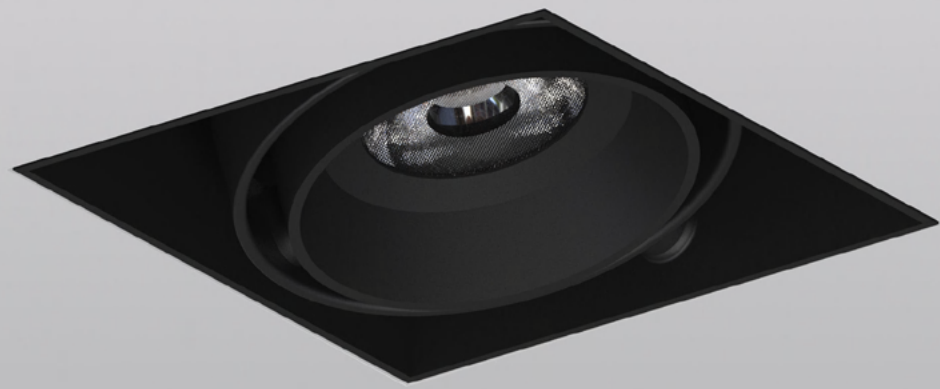
spot



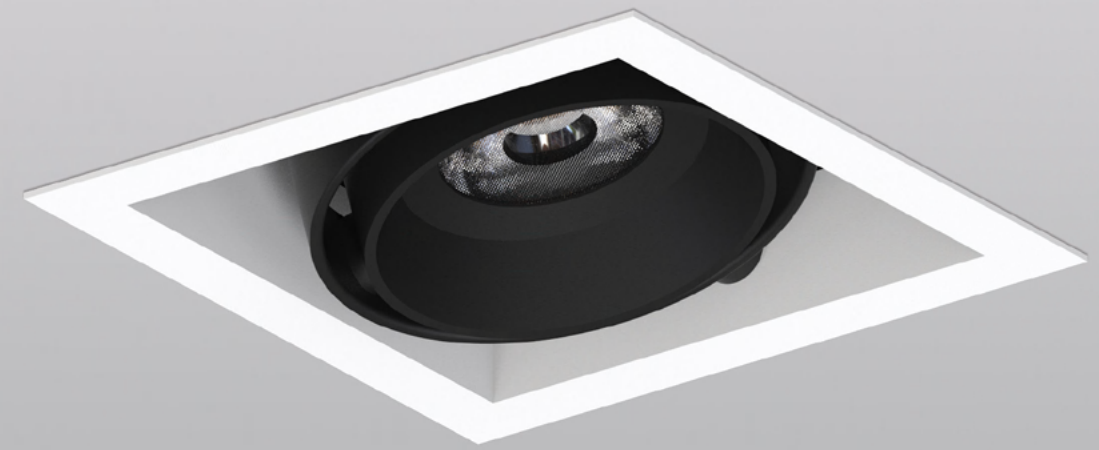
med.



flood



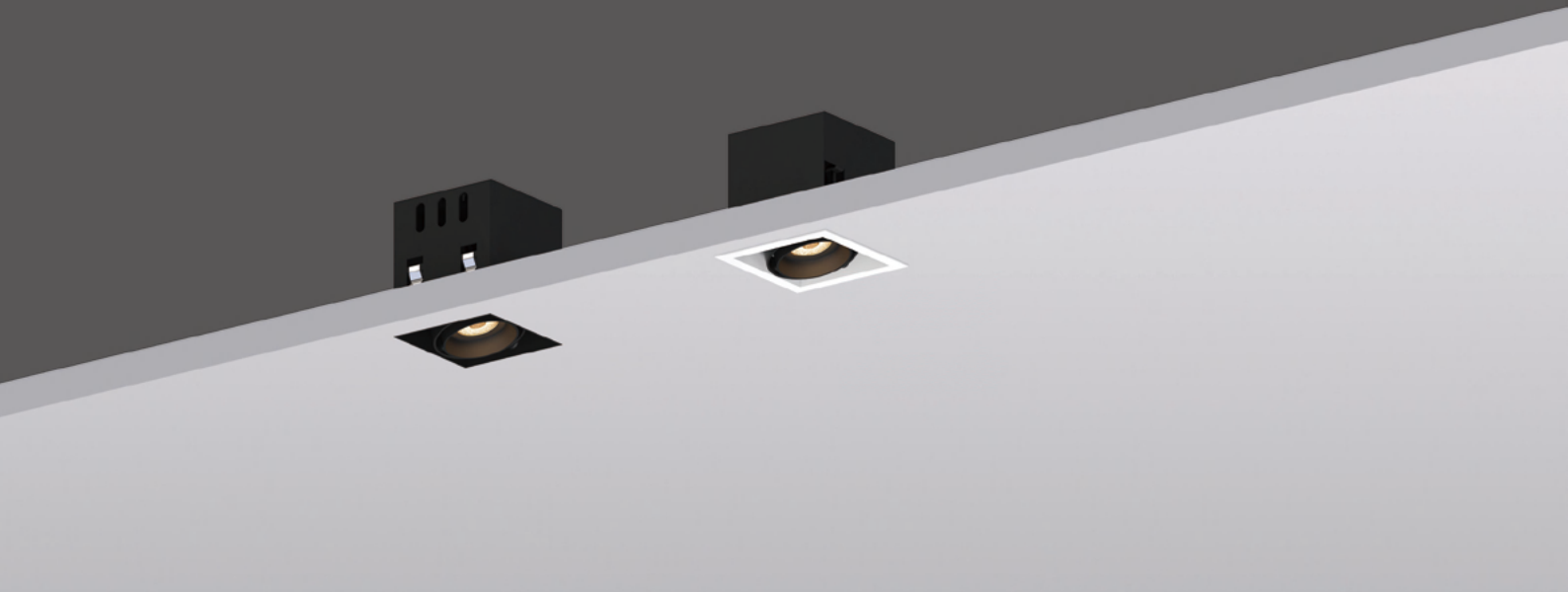
Trimless



Trim

GRIGLIA

Trimless W2761LED
Trim 2161LED



Quickinfo

GENERAL
Recessed
IP20

LED
CITIZEN
8W, 12W
2700K, 3000K, 4000K, 5000K
50000h@L80
CRI≥90
SDCM: 3

OPTICAL
Direct illumination
Beam angle 15°/24°/40°
Optical accessories

ELECTRICAL
NON-DIM
PHASE
1-10V
DALI
BLUETOOTH

PHYSICAL
Aluminum



Description

The single head universal adjustable angle design can help you to project light onto object more accurately, highlighting a single area or object.

Applications

Hotels, Shopping centers, Restaurants, Galleries, Large architectural structures, Retail stores, Showrooms, Bars, etc.

Features



Standard configuration

COLOUR TEMPERATURE
2700K
3000K

CONTROL
NON-DIM

OPTICAL
15°/24°/40°

COLOUR(housing)
Black+White

COLOUR(reflector)
Black

Extended configuration

COLOUR TEMPERATURE
4000K
5000K

CONTROL
DALI, PHASE, 1-10V

COLOUR(housing)
Black

Options on request

CONTROL
BLUETOOTH

Parameters

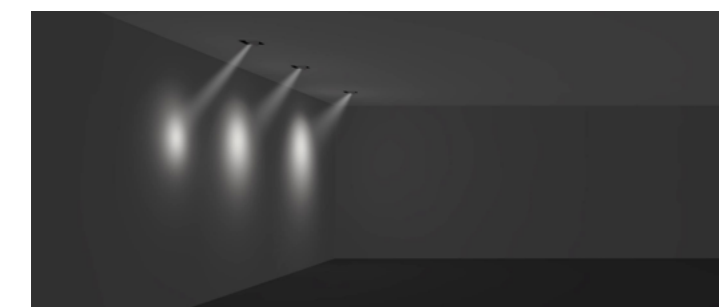
POWER	VF	CURRENT	CCT	LUMINOUS FLUX
8W	31V	250mA	2700K	664~693 lm
			3000K	687~727 lm
12W	31V	350mA	2700K	832~868 lm
			3000K	863~921 lm

Test standards:
Citizen COB, CRI 90, tolerance range of electrical and optical parameters: ±10%.

Light Distribution

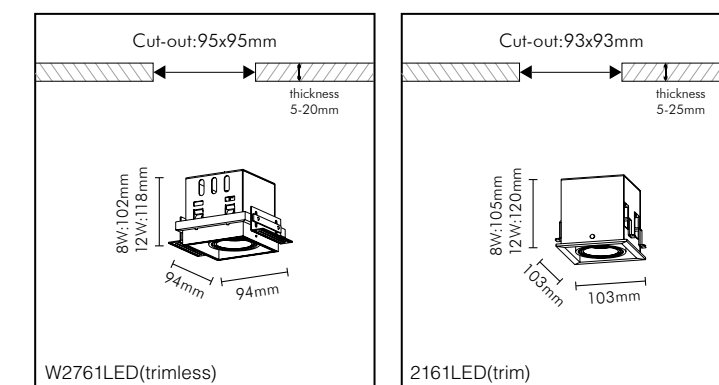
12W 15° 3000K Ra90			12W 24° 3000K Ra90			12W 40° 3000K Ra90		
H(m)	E(lx)	D(m)	H(m)	E(lx)	D(m)	H(m)	E(lx)	D(m)
1	6574	0.29	1	4037	0.41	1	1870	0.73
2	1644	0.57	2	1009	0.83	2	468	1.47
3	731	0.86	3	449	1.24	3	208	2.20
4	411	1.14	4	252	1.66	4	117	2.94
5	263	1.42	5	162	2.07	5	75	3.67

Light effect and planning aid



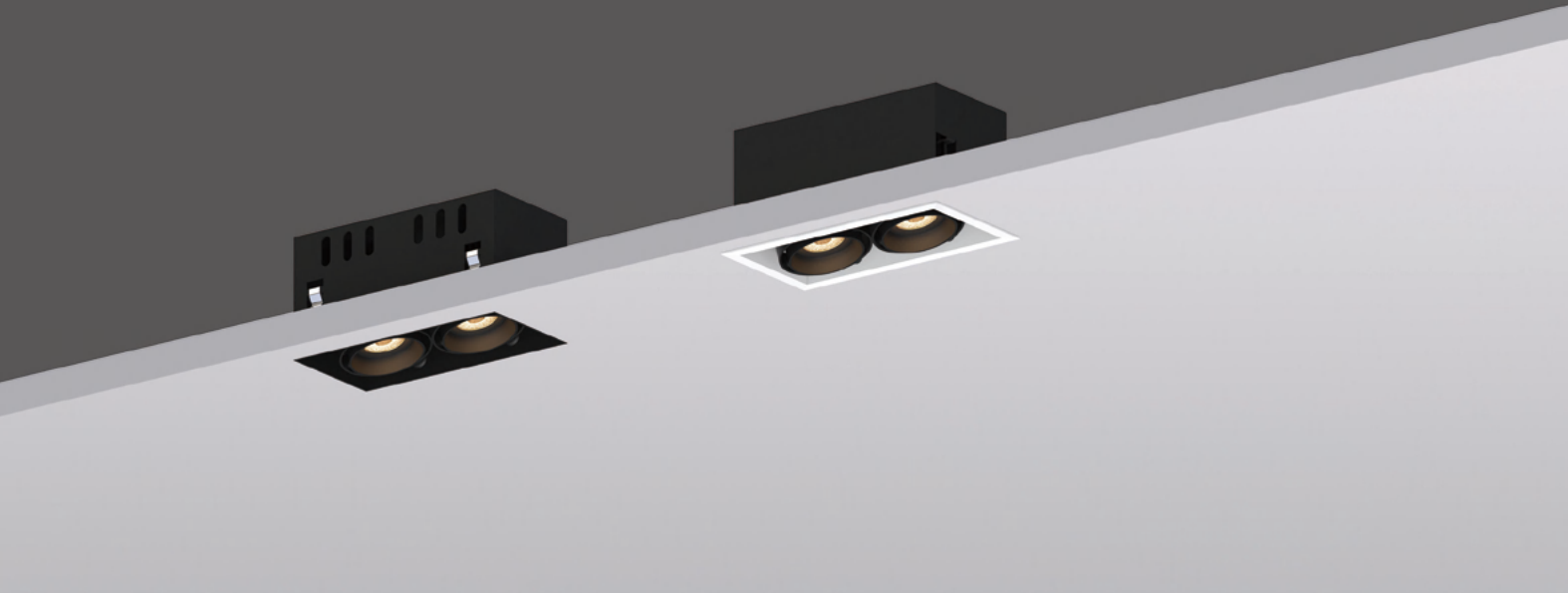
Emphasis of objects or architectural elements.

Technical drawing



GRIGLIA

Trimless W2762LED
Trim 2162LED



Quickinfo

GENERAL
Recessed
IP20

LED
CITIZEN
2x8W, 2x12W
2700K, 3000K, 4000K, 5000K
50000h@L80
CRI≥90
SDCM: 3

OPTICAL
Direct illumination
Beam angle 15°/24°/40°
Optical accessories

ELECTRICAL
NON-DIM
PHASE
1-10V
DALI
BLUETOOTH

PHYSICAL
Aluminum



Description

The double heads universal adjustable angle design can help you to project light on different objects more accurately, highlighting different areas or objects.

Applications

Hotels, Shopping centers, Restaurants, Galleries, Large architectural structures, Retail stores, Showrooms, Bars, etc.

Features



Standard configuration

COLOUR TEMPERATURE
2700K
3000K

CONTROL
NON-DIM

OPTICAL
15°/24°/40°

COLOUR(housing)
Black+White

COLOUR(reflector)
Black

Extended configuration

COLOUR TEMPERATURE
4000K
5000K

CONTROL
DALI, PHASE, 1-10V

COLOUR(housing)
Black

Options on request

CONTROL
BLUETOOTH

Parameters

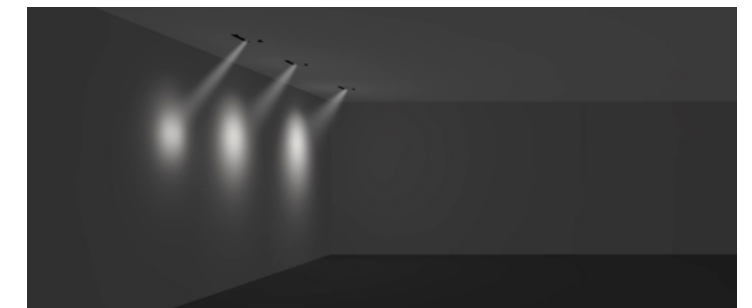
POWER	VF	CURRENT	CCT	LUMINOUS FLUX
2x8W	31V	250mA	2700K	1328~1386 lm
			3000K	1374~1454 lm
2x12W	31V	350mA	2700K	1664~1736 lm
			3000K	1726~1842 lm

Test standards:
Citizen COB, CRI 90, tolerance range of electrical and optical parameters: ±10%.

Light Distribution

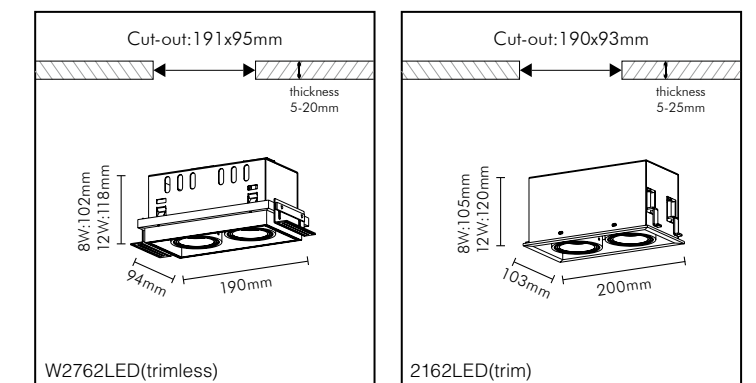
12W 15° 3000K Ra90			12W 24° 3000K Ra90			12W 40° 3000K Ra90		
H(m)	E(lx)	D(m)	H(m)	E(lx)	D(m)	H(m)	E(lx)	D(m)
1	6574	0.29	1	4037	0.41	1	1870	0.73
2	1644	0.57	2	1009	0.83	2	468	1.47
3	731	0.86	3	449	1.24	3	208	2.20
4	411	1.14	4	252	1.66	4	117	2.94
5	263	1.42	5	162	2.07	5	75	3.67
HEIGHT	ILLUMINANCE	DIAMETER	HEIGHT	ILLUMINANCE	DIAMETER	HEIGHT	ILLUMINANCE	DIAMETER

Light effect and planning aid



Emphasis of objects or architectural elements.

Technical drawing



GRIGLIA

Trimless W2763LED
Trim 2163LED



Quickinfo

GENERAL
Recessed
IP20

LED
CITIZEN
3x8W, 3x12W
2700K, 3000K, 4000K, 5000K
50000h@L80
CRI≥90
SDCM: 3

OPTICAL
Direct illumination
Beam angle 15°/24°/40°
Optical accessories

ELECTRICAL
NON-DIM
PHASE
1-10V
DALI
BLUETOOTH

PHYSICAL
Aluminum



Description

The triple heads universal adjustable angle design can help you to project light on multiple objects more accurately, highlighting multiple areas or objects.

Applications

Hotels, Shopping centers, Restaurants, Galleries, Large architectural structures, Retail stores, Showrooms, Bars, etc.

Features



Standard configuration

COLOUR TEMPERATURE
2700K
3000K

CONTROL
NON-DIM

OPTICAL
15°/24°/40°

COLOUR(housing)
Black+White

COLOUR(reflector)
Black

Extended configuration

COLOUR TEMPERATURE
4000K
5000K

CONTROL
DALI, PHASE, 1-10V

COLOUR(housing)
Black

Options on request

CONTROL
BLUETOOTH

Parameters

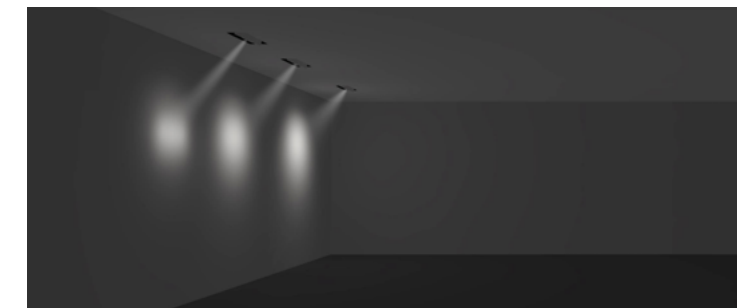
POWER	VF	CURRENT	CCT	LUMINOUS FLUX
3x8W	31V	250mA	2700K 3000K	1992~2079 lm 2061~2181 lm
3x12W	31V	350mA	2700K 3000K	2496~2604 lm 2589~2763 lm

Test standards:
Citizen COB, CRI 90, tolerance range of electrical and optical parameters: ±10%.

Light Distribution

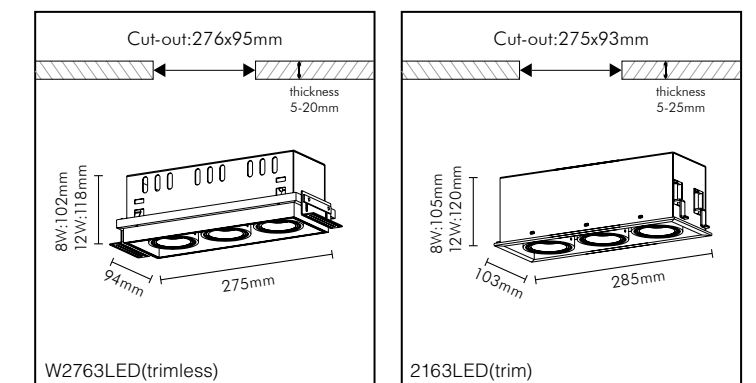
12W 15° 3000K Ra90			12W 24° 3000K Ra90			12W 40° 3000K Ra90		
H(m)	E(lx)	D(m)	H(m)	E(lx)	D(m)	H(m)	E(lx)	D(m)
1	6574	0.29	1	4037	0.41	1	1870	0.73
2	1644	0.57	2	1009	0.83	2	468	1.47
3	731	0.86	3	449	1.24	3	208	2.20
4	411	1.14	4	252	1.66	4	117	2.94
5	263	1.42	5	162	2.07	5	75	3.67
HEIGHT	ILLUMINANCE	DIAMETER	HEIGHT	ILLUMINANCE	DIAMETER	HEIGHT	ILLUMINANCE	DIAMETER

Light effect and planning aid

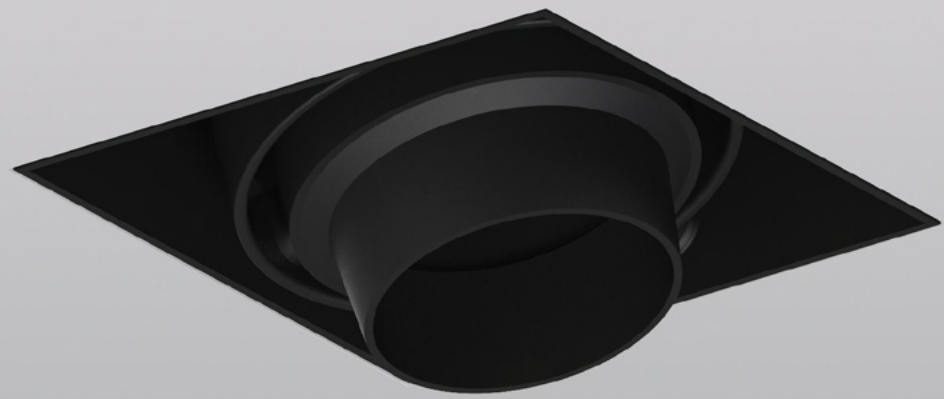


Emphasis of objects or architectural elements.

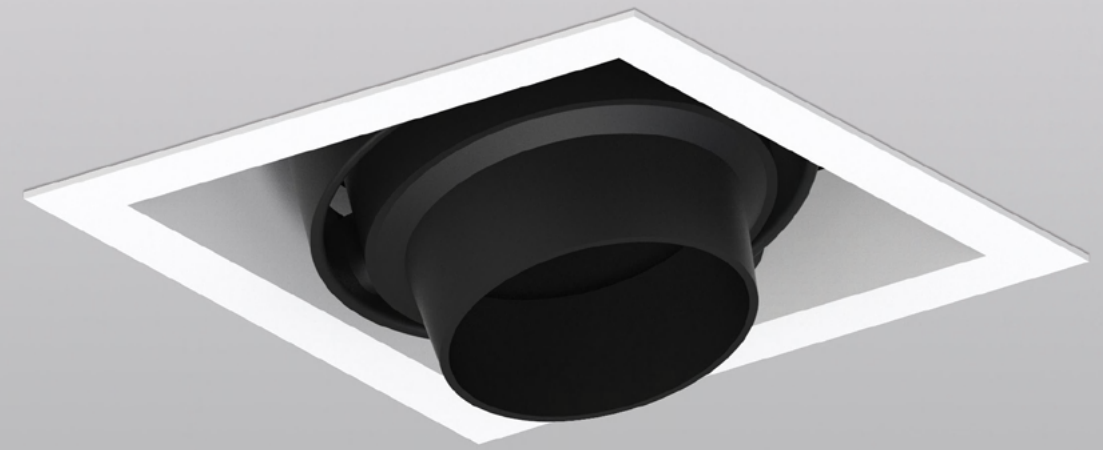
Technical drawing







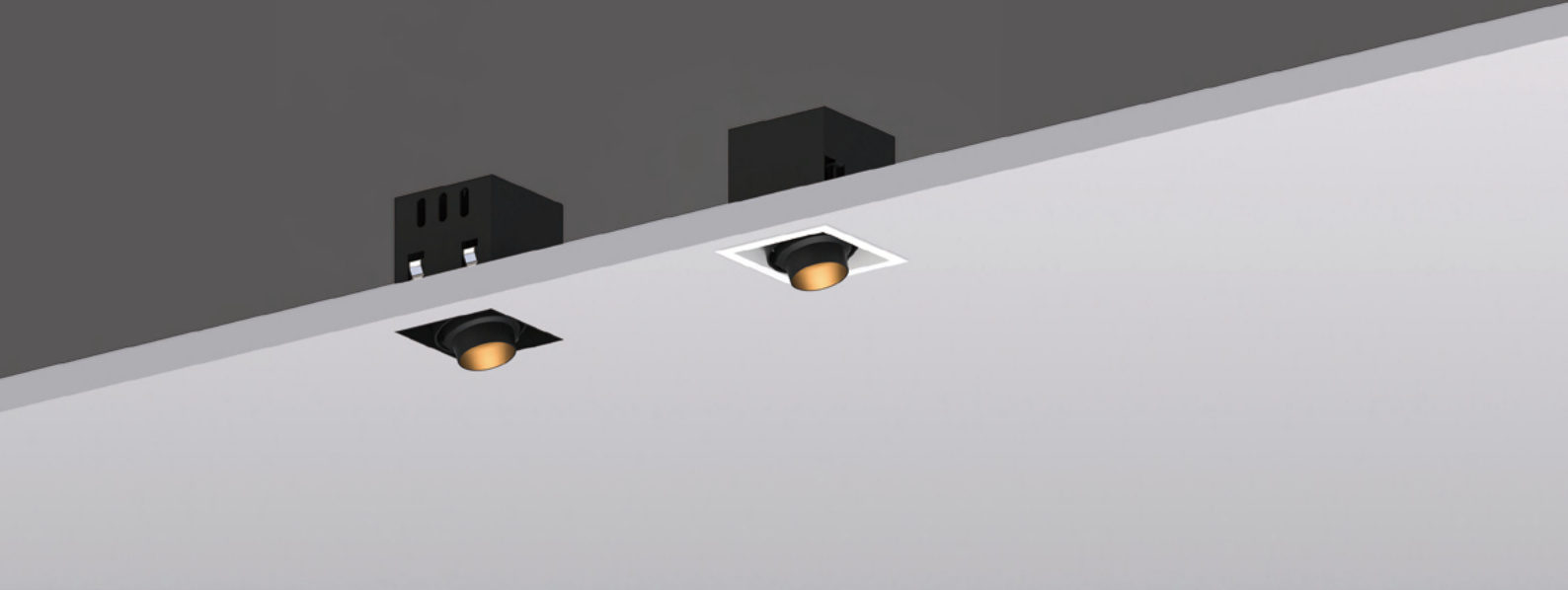
Trimless



Trim

GRIGLIA

Trimless W2661LED
Trim 2261LED



Quickinfo

GENERAL
Recessed
IP20

LED
CITIZEN
8W, 12W
2700K, 3000K, 4000K, 5000K
50000h@L80
CRI≥90
SDCM: 3

OPTICAL
Direct illumination
Beam angle 15°/24°/40°
Optical accessories

ELECTRICAL
NON-DIM
PHASE
1-10V
DALI
BLUETOOTH

PHYSICAL
Aluminum



Description

The single head anti-glare tube design can reduce glare and enhance comfort to a greater extent; And the universal adjustable design can help you to project light onto object more accurately, highlighting a single area or object.

Applications

Hotels, Bars, Restaurants, Shopping centers, Retail stores, Showrooms, Galleries, Large architectural structures, etc.

Features



Standard configuration

COLOUR TEMPERATURE
2700K
3000K

CONTROL
NON-DIM

OPTICAL
15°/24°/40°

COLOUR(housing)
Black+White

COLOUR(reflector)
Black

Extended configuration

COLOUR TEMPERATURE
4000K
5000K

CONTROL
DALI, PHASE, 1-10V

COLOUR(housing)
Black

Options on request

CONTROL
BLUETOOTH

Parameters

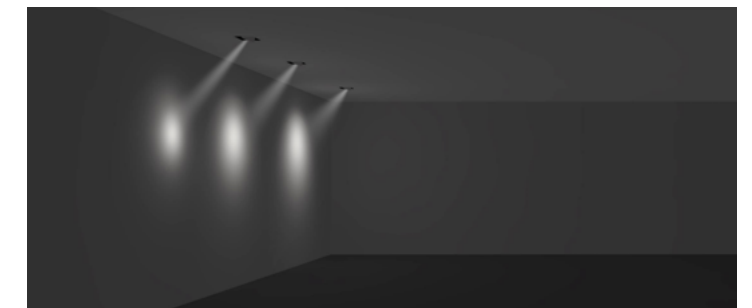
POWER	VF	CURRENT	CCT	LUMINOUS FLUX
8W	31V	250mA	2700K	543~638 lm
			3000K	636~671 lm
12W	31V	350mA	2700K	756~813 lm
			3000K	825~878 lm

Test standards:
Citizen COB, CRI 90, tolerance range of electrical and optical parameters: ±10%.

Light Distribution

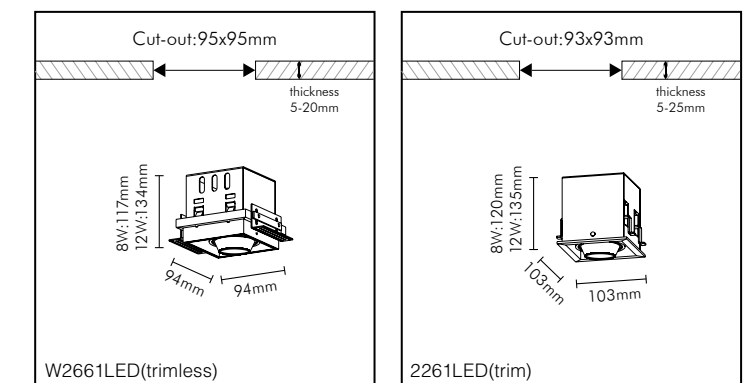
12W 15° 3000K Ra90			12W 24° 3000K Ra90			12W 40° 3000K Ra90		
H(m)	E(lx)	D(m)	H(m)	E(lx)	D(m)	H(m)	E(lx)	D(m)
1	7917	0.30	1	4545	0.42	1	1986	0.72
2	1979	0.61	2	1136	0.84	2	496	1.43
3	880	0.91	3	505	1.25	3	221	2.15
4	495	1.21	4	284	1.67	4	124	2.86
5	317	1.52	5	182	2.09	5	79	3.58

Light effect and planning aid



Emphasis of objects or architectural elements.

Technical drawing



GRIGLIA

Trimless W2662LED
Trim 2262LED



Standard configuration

COLOUR TEMPERATURE
2700K
3000K

CONTROL
NON-DIM

OPTICAL
15°/24°/40°

COLOUR(housing)
Black+White

COLOUR(reflector)
Black

Extended configuration

COLOUR TEMPERATURE
4000K
5000K

CONTROL
DALI, PHASE, 1-10V

COLOUR(housing)
Black

Options on request

CONTROL
BLUETOOTH

Parameters

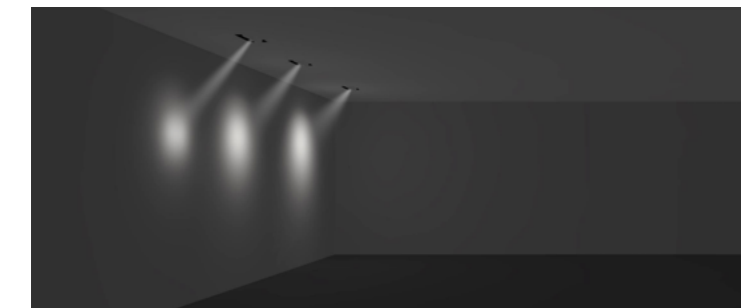
POWER	VF	CURRENT	CCT	LUMINOUS FLUX
2x8W	31V	250mA	2700K	1086~1276 lm
			3000K	1272~1342 lm
2x12W	31V	350mA	2700K	1512~1626 lm
			3000K	1650~1756 lm

Test standards:
Citizen COB, CRI 90, tolerance range of electrical and optical parameters: ±10%.

Light Distribution

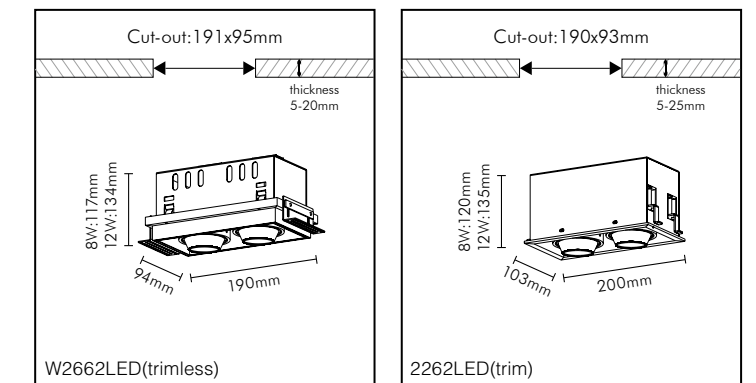
12W 15° 3000K Ra90			12W 24° 3000K Ra90			12W 40° 3000K Ra90		
H(m)	E(lx)	D(m)	H(m)	E(lx)	D(m)	H(m)	E(lx)	D(m)
1	7917	0.30	1	4545	0.42	1	1986	0.72
2	1979	0.61	2	1136	0.84	2	496	1.43
3	880	0.91	3	505	1.25	3	221	2.15
4	495	1.21	4	284	1.67	4	124	2.86
5	317	1.52	5	182	2.09	5	79	3.58

Light effect and planning aid



Emphasis of objects or architectural elements.

Technical drawing



Quickinfo

GENERAL
Recessed
IP20

LED
CITIZEN
2x8W, 2x12W
2700K, 3000K, 4000K, 5000K
50000h@L80
CRI≥90
SDCM: 3

OPTICAL
Direct illumination
Beam angle 15°/24°/40°
Optical accessories

ELECTRICAL
NON-DIM
PHASE
1-10V
DALI
BLUETOOTH

PHYSICAL
Aluminum



Description

The double heads anti-glare tube design can reduce glare and enhance comfort to a greater extent; The universal adjustable design can help you to project light on different objects more accurately, highlighting different areas or objects.

Applications

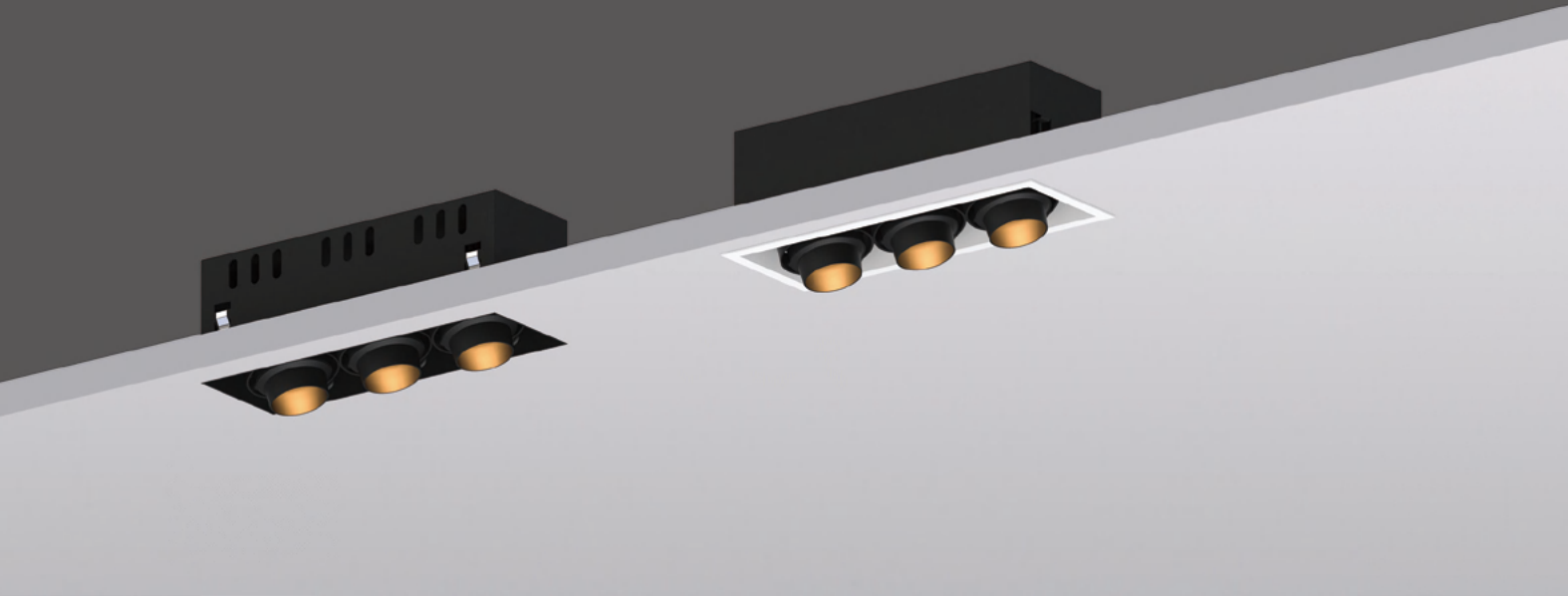
Hotels, Shopping centers, Restaurants, Galleries, Large architectural structures, Retail stores, Showrooms, Bars, etc.

Features



GRIGLIA

Trimless W2663LED
Trim 2263LED



Standard configuration

COLOUR TEMPERATURE
2700K
3000K

CONTROL
NON-DIM

OPTICAL
15°/24°/40°

COLOUR(housing)
Black+White

COLOUR(reflector)
Black

Extended configuration

COLOUR TEMPERATURE
4000K
5000K

CONTROL
DALI, PHASE, 1-10V

COLOUR(housing)
Black

Options on request

CONTROL
BLUETOOTH

Parameters

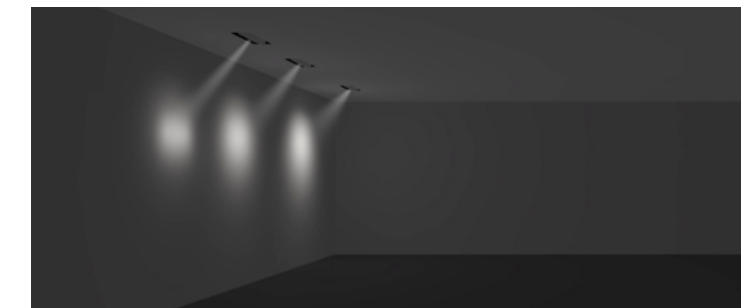
POWER	VF	CURRENT	CCT	LUMINOUS FLUX
3x8W	31V	250mA	2700K	1629~1914 lm
			3000K	1908~2013 lm
3x12W	31V	350mA	2700K	2268~2439 lm
			3000K	2475~2634 lm

Test standards:
Citizen COB, CRI 90, tolerance range of electrical and optical parameters: ±10%.

Light Distribution

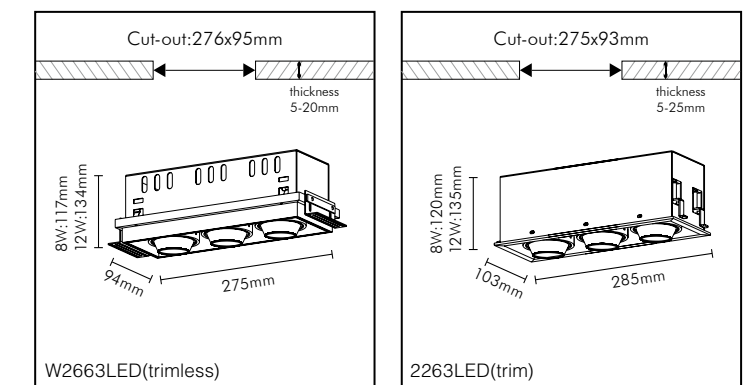
12W 15° 3000K Ra90			12W 24° 3000K Ra90			12W 40° 3000K Ra90		
H(m)	E(lx)	D(m)	H(m)	E(lx)	D(m)	H(m)	E(lx)	D(m)
1	7917	0.30	1	4545	0.42	1	1986	0.72
2	1979	0.61	2	1136	0.84	2	496	1.43
3	880	0.91	3	505	1.25	3	221	2.15
4	495	1.21	4	284	1.67	4	124	2.86
5	317	1.52	5	182	2.09	5	79	3.58

Light effect and planning aid



Emphasis of objects or architectural elements.

Technical drawing



Quickinfo

GENERAL
Recessed
IP20

LED
CITIZEN
3x8W, 3x12W
2700K, 3000K, 4000K, 5000K
50000h@L80
CRI≥90
SDCM: 3

OPTICAL
Direct illumination
Beam angle 15°/24°/40°
Optical accessories

ELECTRICAL
NON-DIM
PHASE
1-10V
DALI
BLUETOOTH

PHYSICAL
Aluminum



Description

The triple heads anti-glare tube design can reduce glare and enhance comfort to a greater extent; The universal adjustable design can help you to project light on multiple objects more accurately, highlighting multiple areas or objects.

Applications

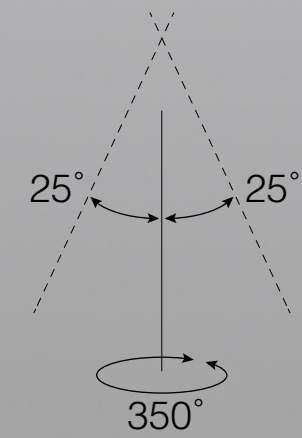
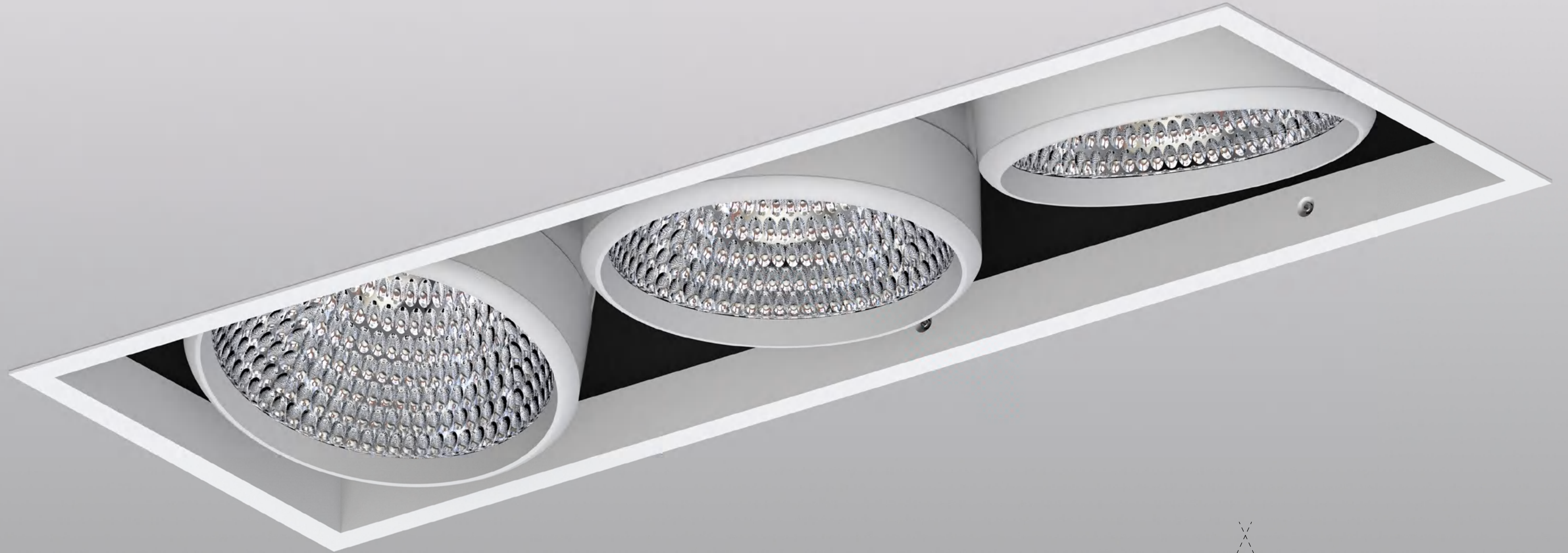
Hotels, Shopping centers, Restaurants, Galleries, Large architectural structures, Retail stores, Showrooms, Bars, etc.

Features





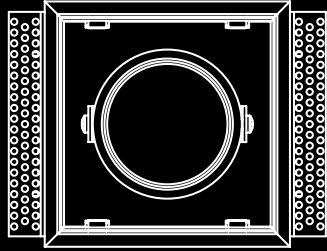




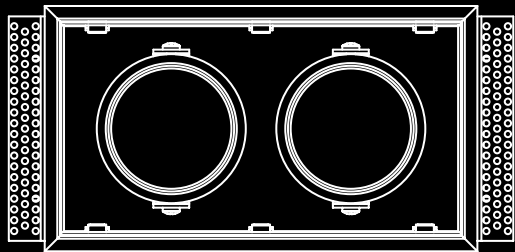


Power

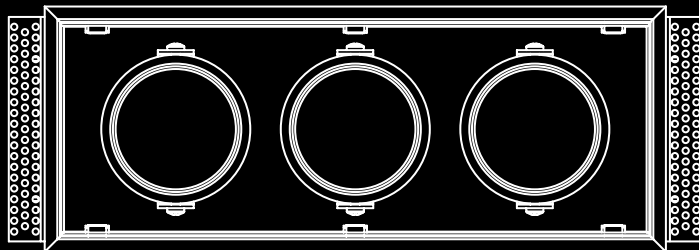
15W
20W
25W



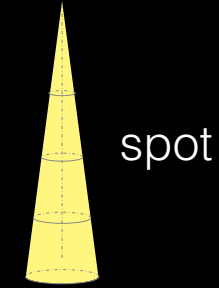
2x15W
2x20W
2x25W



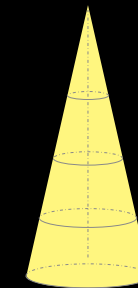
3x15W
3x20W
3x25W



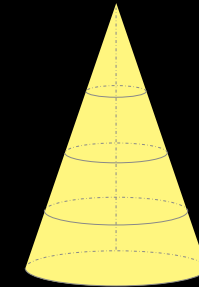
Optical



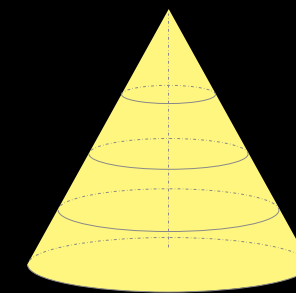
spot



med.



flood



wide flood



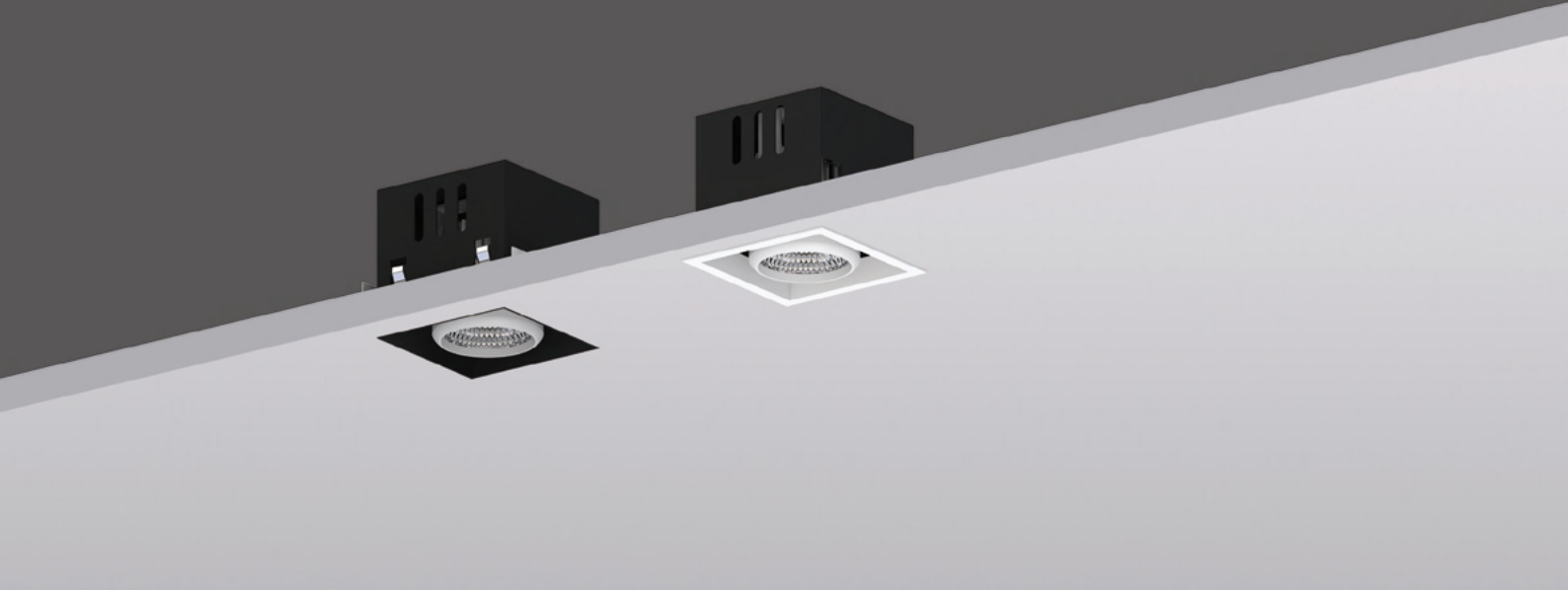
Trimless



Trim

GRIGLIA

Trimless W2811LED
Trim 2811LED



Standard configuration

COLOUR TEMPERATURE
2700K
3000K

CONTROL
NON-DIM

OPTICAL
12°/24°/48°/62°

COLOUR(housing)
Black+White

COLOUR(reflector)
White

Extended configuration

COLOUR TEMPERATURE
4000K
5000K

CONTROL
DALI, PHASE, 1-10V

COLOUR(housing)
Black

Options on request

CONTROL
BLUETOOTH

Parameters

POWER	VF	CURRENT	CCT	LUMINOUS FLUX
15W	36V	350mA	2700K	1183~1211 lm
			3000K	1220~1229 lm
20W	36V	500mA	2700K	1623~1657 lm
			3000K	1639~1679 lm
25W	36V	600mA	2700K	1925~1938 lm
			3000K	1928~1972 lm

Test standards:
Citizen COB, CRI 90, tolerance range of electrical and optical parameters: ±10%.

Light Distribution

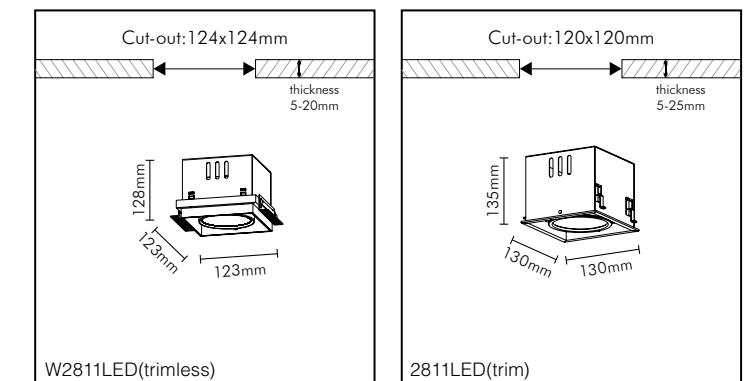
25W 12° 3000K Ra90			25W 24° 3000K Ra90			15W 48° 3000K Ra90			25W 62° 3000K Ra90		
H(m)	E(lx)	D(m)	H(m)	E(lx)	D(m)	H(m)	E(lx)	D(m)	H(m)	E(lx)	D(m)
3	1487	0.59	3	944	1.20	3	333	2.70	3	279	3.41
4	1399	0.79	4	531	1.60	4	187	3.59	4	157	4.54
5	895	0.98	5	340	2.00	5	120	4.49	5	101	5.68
6	622	1.18	6	236	2.40	6	83	5.39	6	70	6.81
7	457	1.37	7	173	2.79	7	61	6.29	7	51	7.95

Light effect and planning aid



Emphasis of objects or architectural elements.

Technical drawing



Quickinfo

GENERAL
Recessed
IP20

LED
CITIZEN
15W, 20W, 25W
2700K, 3000K, 4000K, 5000K
50000h@L80
CRI≥90
SDCM: 3

OPTICAL
Direct illumination
Beam angle 12°/24°/48°/62°
Optical accessories

ELECTRICAL
NON-DIM
PHASE
1-10V
DALI
BLUETOOTH

PHYSICAL
Aluminum



Description

The single head reflector design provides higher luminous efficiency. And the universal adjustable design can help you project light onto object more precisely, highlighting individual area or object.

Applications

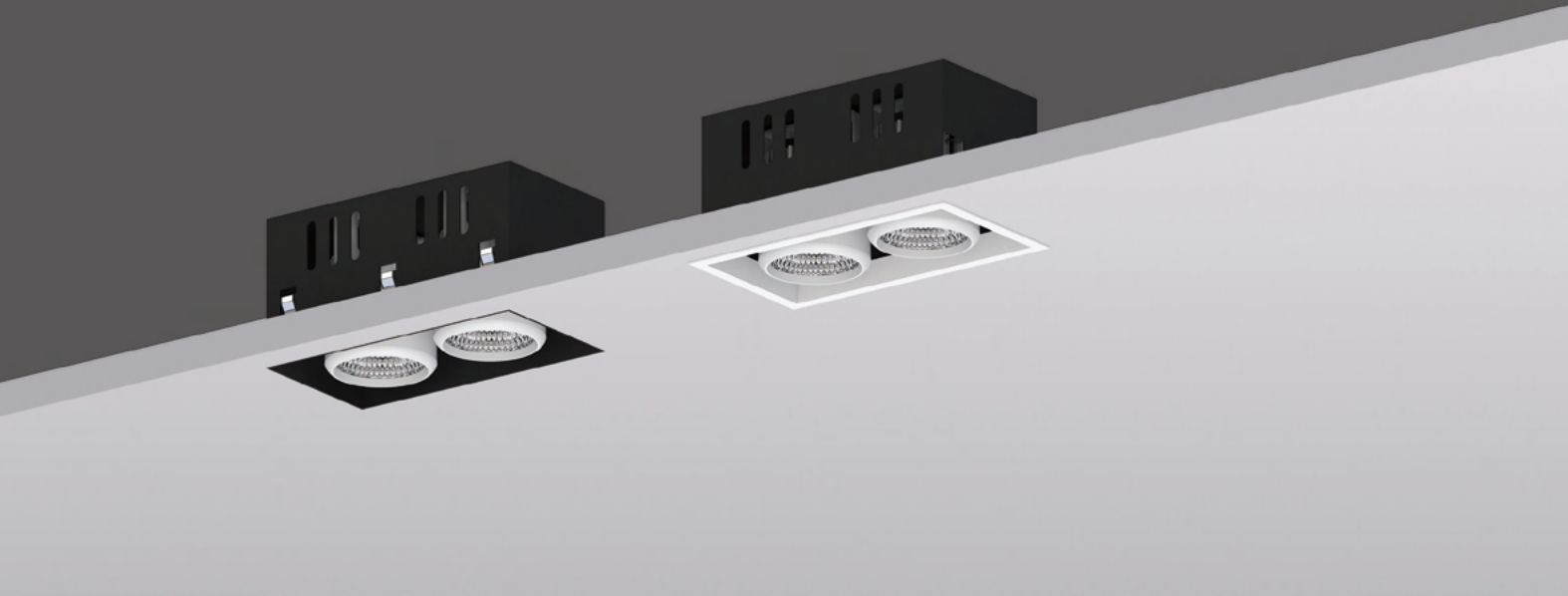
Hotels, Shopping centers, Restaurants, Galleries, Large architectural structures, Retail stores, Showrooms, Bars, etc.

Features



GRIGLIA

Trimless W2812LED
Trim 2812LED



Quickinfo

GENERAL
Recessed
IP20

LED
CITIZEN
2x15W, 2x20W, 2x25W
2700K, 3000K, 4000K, 5000K
50000h@L80
CRI≥90
SDCM: 3

OPTICAL
Direct illumination
Beam angle 12°/24°/48°/62°
Optical accessories

ELECTRICAL
NON-DIM
PHASE
1-10V
DALI
BLUETOOTH

PHYSICAL
Aluminum



Description

The double heads reflector design provides higher luminous efficiency. And the universal adjustable design can help you to project light on different objects more accurately, highlighting different areas or objects.

Applications

Hotels, Shopping centers, Restaurants, Galleries, Large architectural structures, Retail stores, Showrooms, Bars, etc.

Features



Standard configuration

COLOUR TEMPERATURE
2700K
3000K

CONTROL
NON-DIM

OPTICAL
12°/24°/48°/62°

COLOUR(housing)
Black+White

COLOUR(reflector)
White

Extended configuration

COLOUR TEMPERATURE
4000K
5000K

CONTROL
DALI, PHASE, 1-10V

COLOUR(housing)
Black

Options on request

CONTROL
BLUETOOTH

Parameters

POWER	VF	CURRENT	CCT	LUMINOUS FLUX
2x15W	36V	350mA	2700K	2366~2422 lm
			3000K	2440~2458 lm
2x20W	36V	500mA	2700K	3246~3314 lm
			3000K	3278~3358 lm
2x25W	36V	600mA	2700K	3850~3876 lm
			3000K	3856~3944 lm

Test standards:
Citizen COB, CRI 90, tolerance range of electrical and optical parameters: ±10%.

Light Distribution

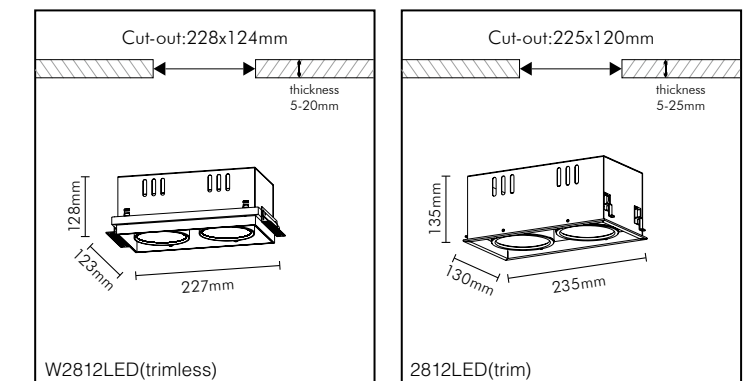
25W 12° 3000K Ra90			25W 24° 3000K Ra90			15W 48° 3000K Ra90			25W 62° 3000K Ra90		
H(m)	E(lx)	D(m)	H(m)	E(lx)	D(m)	H(m)	E(lx)	D(m)	H(m)	E(lx)	D(m)
3	1487	0.59	3	944	1.20	3	333	2.70	3	279	3.41
4	1399	0.79	4	531	1.60	4	187	3.59	4	157	4.54
5	895	0.98	5	340	2.00	5	120	4.49	5	101	5.68
6	622	1.18	6	236	2.40	6	83	5.39	6	70	6.81
7	457	1.37	7	173	2.79	7	61	6.29	7	51	7.95

Light effect and planning aid



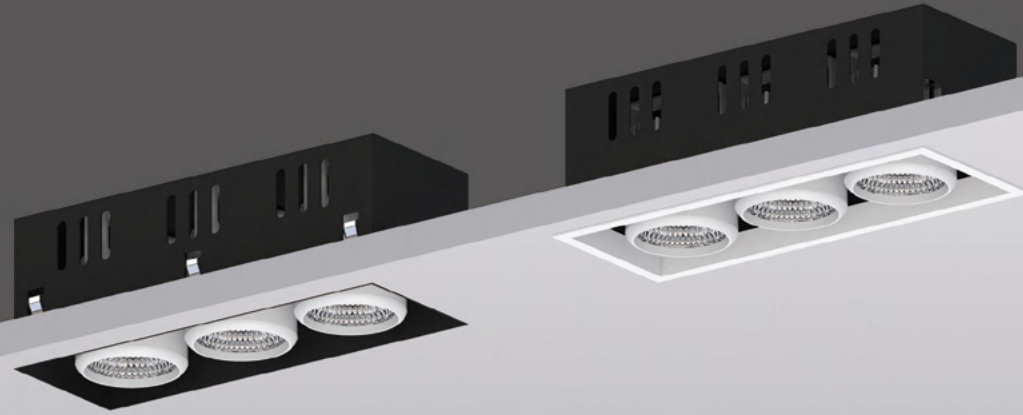
Emphasis of objects or architectural elements.

Technical drawing



GRIGLIA

Trimless W2813LED
Trim 2813LED



Quickinfo

GENERAL
Recessed
IP20

LED
CITIZEN
3x15W, 3x20W, 3x25W
2700K, 3000K, 4000K, 5000K
50000h@L80
CRI≥90
SDCM: 3

OPTICAL
Direct illumination
Beam angle 12°/24°/48°/62°
Optical accessories

ELECTRICAL
NON-DIM
PHASE
1-10V
DALI
BLUETOOTH

PHYSICAL
Aluminum



Description

The triple heads reflector design provides higher luminous efficiency. And the universal adjustable design can help you to project light on multiple objects more accurately, highlighting multiple areas or objects.

Applications

Hotels, Shopping centers, Restaurants, Galleries, Large architectural structures, Retail stores, Showrooms, Bars, etc.

Features



Standard configuration

COLOUR TEMPERATURE
2700K
3000K

CONTROL
NON-DIM

OPTICAL
12°/24°/48°/62°

COLOUR(housing)
Black+White

COLOUR(reflector)
White

Extended configuration

COLOUR TEMPERATURE
4000K
5000K

CONTROL
DALI, PHASE, 1-10V

COLOUR(housing)
Black

Options on request

CONTROL
BLUETOOTH

Parameters

POWER	VF	CURRENT	CCT	LUMINOUS FLUX
3x15W	36V	350mA	2700K	3549~3633 lm
			3000K	3660~3687 lm
3x20W	36V	500mA	2700K	4869~4971 lm
			3000K	4917~5037 lm
3x25W	36V	600mA	2700K	5775~5814 lm
			3000K	5784~5916 lm

Test standards:
Citizen COB, CRI 90, tolerance range of electrical and optical parameters: ±10%.

Light Distribution

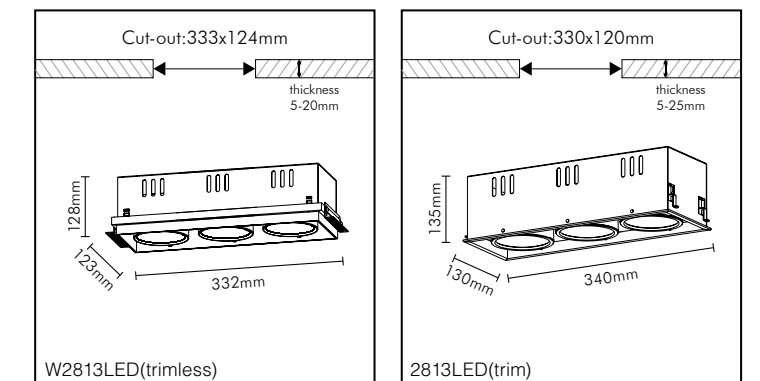
25W 12° 3000K Ra90			25W 24° 3000K Ra90			15W 48° 3000K Ra90			25W 62° 3000K Ra90		
H(m)	E(lx)	D(m)	H(m)	E(lx)	D(m)	H(m)	E(lx)	D(m)	H(m)	E(lx)	D(m)
3	1487	0.59	3	944	1.20	3	333	2.70	3	279	3.41
4	1399	0.79	4	531	1.60	4	187	3.59	4	157	4.54
5	895	0.98	5	340	2.00	5	120	4.49	5	101	5.68
6	622	1.18	6	236	2.40	6	83	5.39	6	70	6.81
7	457	1.37	7	173	2.79	7	61	6.29	7	51	7.95

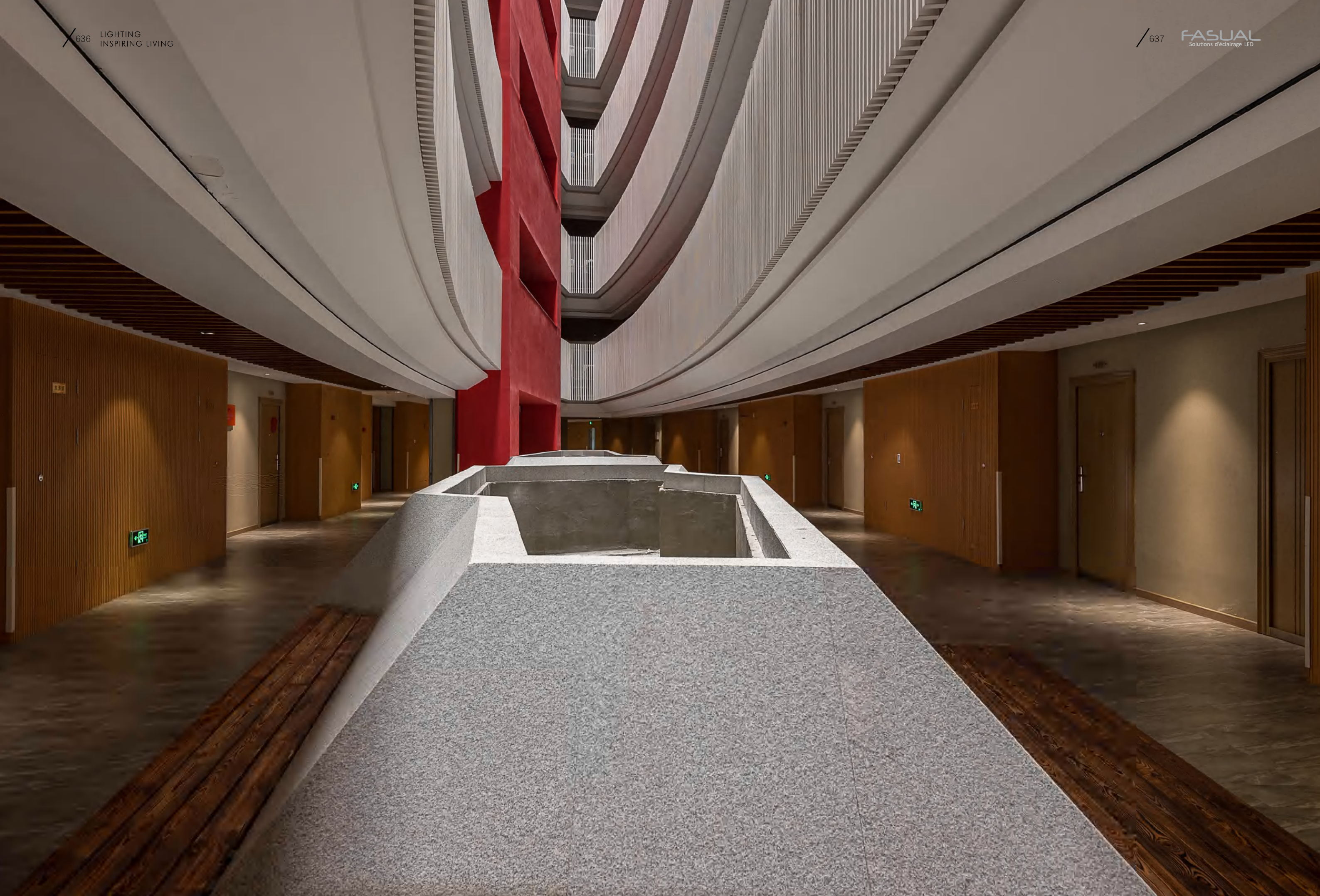
Light effect and planning aid



Emphasis of objects or architectural elements.

Technical drawing

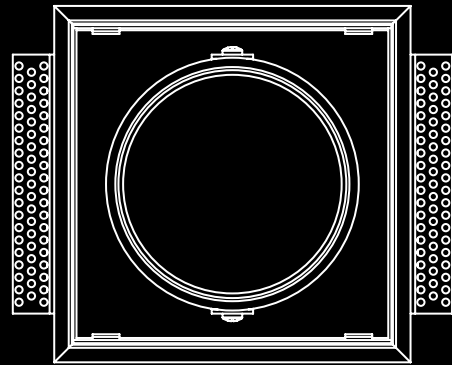




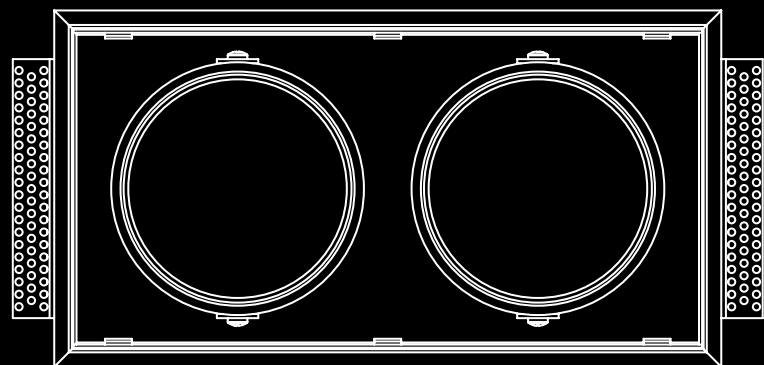


Power

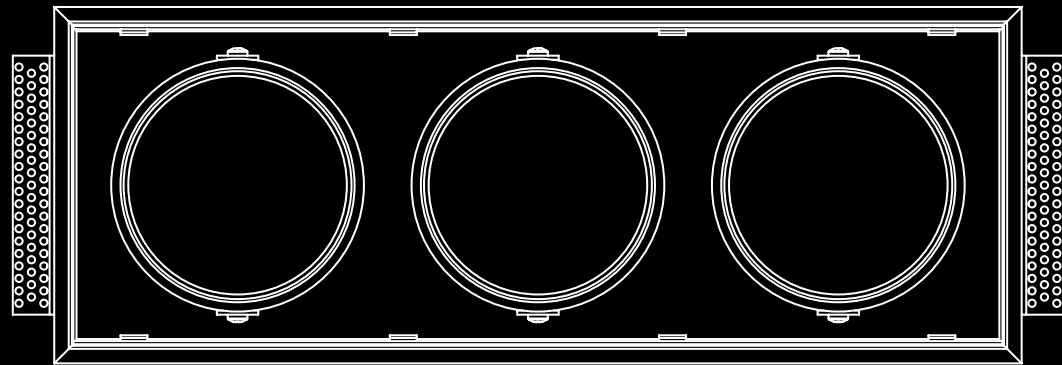
25W
30W
36W
40W



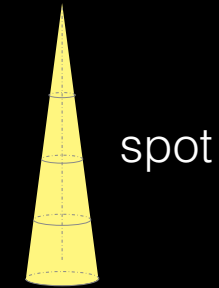
2x25W
2x30W
2x36W
2x40W



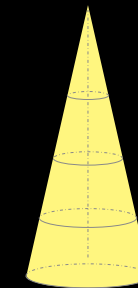
3x25W
3x30W
3x36W
3x40W



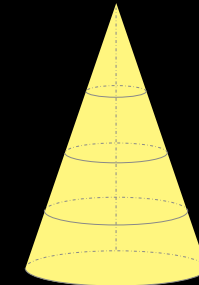
Optical



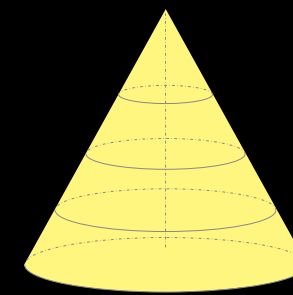
spot



med.



flood



wide flood



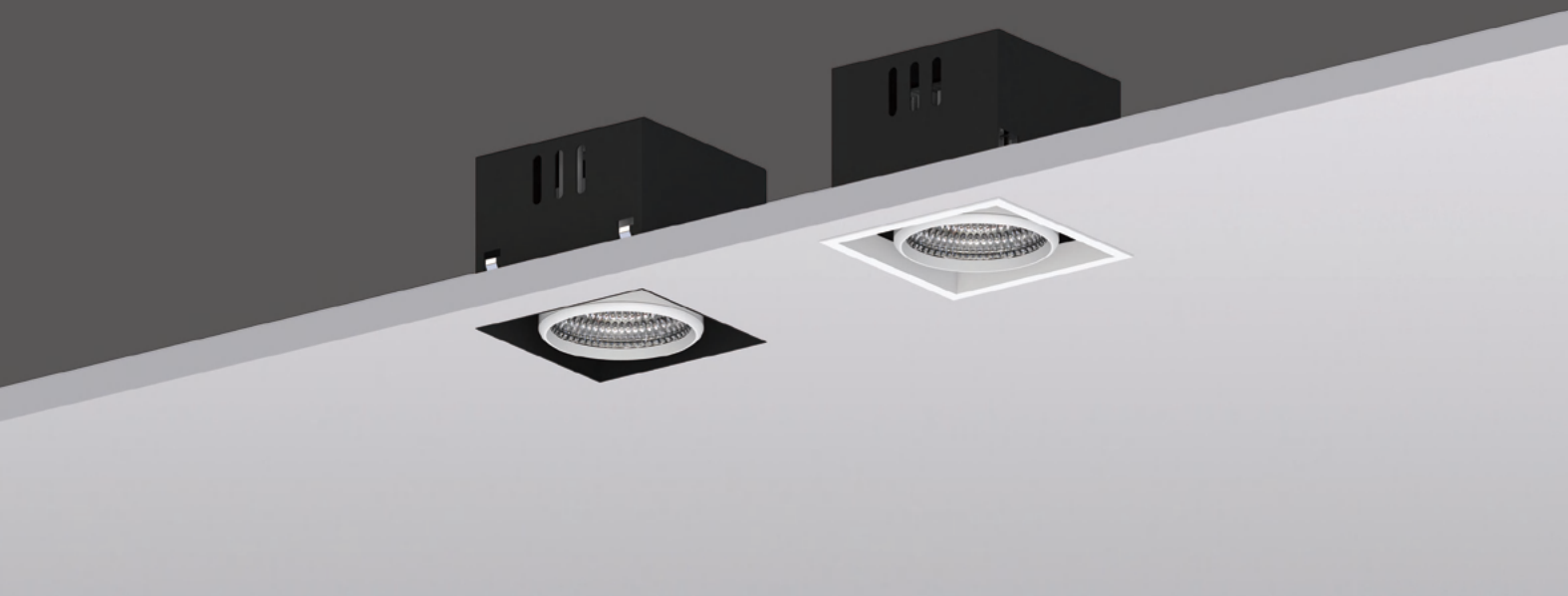
Trimless



Trim

GRIGLIA

Trimless W2911LED
Trim 2911LED



Quickinfo

GENERAL
Recessed
IP20

LED
CITIZEN
25W, 30W, 36W, 40W
2700K, 3000K, 4000K, 5000K
50000h@L80
CRI≥90
SDCM: 3

OPTICAL
Direct illumination
Beam angle 12°/32°/40°/60°
Optical accessories

ELECTRICAL
NON-DIM
PHASE
1-10V
DALI
BLUETOOTH

PHYSICAL
Aluminum



Description

The single head high power design provides more luminous flux. And the universal adjustment can help you project light onto object more precisely, highlighting individual area or object.

Applications

Hotels, Shopping centers, Restaurants, Galleries, Large architectural structures, Retail stores, Showrooms, Bars, etc.

Features



Standard configuration

COLOUR TEMPERATURE
2700K
3000K

CONTROL
NON-DIM

OPTICAL
12°/32°/40°/60°

COLOUR(housing)
Black+White

COLOUR(reflector)
White

Extended configuration

COLOUR TEMPERATURE
4000K
5000K

CONTROL
DALI, PHASE, 1-10V

COLOUR(housing)
Black

Options on request

CONTROL
BLUETOOTH

Parameters

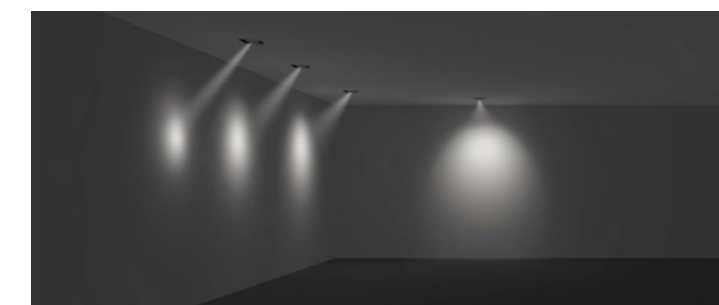
POWER	VF	CURRENT	CCT	LUMINOUS FLUX
25W	36V	600mA	2700K	2125~2170 lm
			3000K	2180~2208 lm
30W	36V	700mA	2700K	2411~2453 lm
			3000K	2470~2542 lm
36W	36V	900mA	2700K	2901~2946 lm
			3000K	2964~3032 lm
40W	36V	1050mA	2700K	3208~3258 lm
			3000K	3276~3301 lm

Test standards:
Citizen COB, CRI 90, tolerance range of electrical and optical parameters: ±10%.

Light Distribution

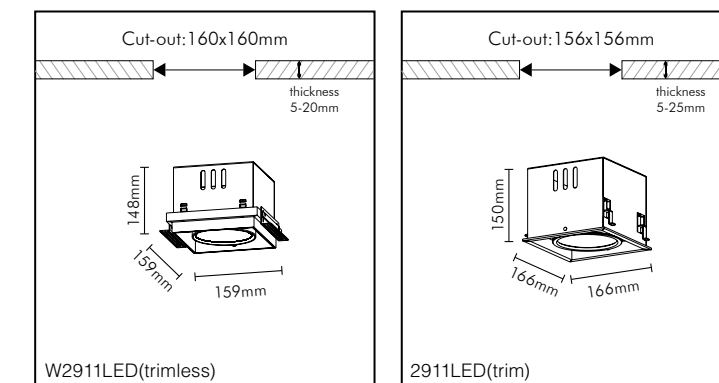
40W 12° 3000K Ra90			40W 32° 3000K Ra90			40W 40° 3000K Ra90			40W 60° 3000K Ra90		
H(m)	E(lx)	D(m)	H(m)	E(lx)	D(m)	H(m)	E(lx)	D(m)	H(m)	E(lx)	D(m)
2	11607	0.36	2	2199	1.07	2	1714	1.38	2	982	2.18
4	2902	0.71	4	550	2.14	4	429	2.76	4	246	4.36
6	1290	1.07	6	244	3.21	6	191	4.14	6	109	6.53
8	726	1.43	8	137	4.27	8	107	5.51	8	61	8.71
10	464	1.79	10	88	5.34	10	69	6.89	10	39	10.9

Light effect and planning aid



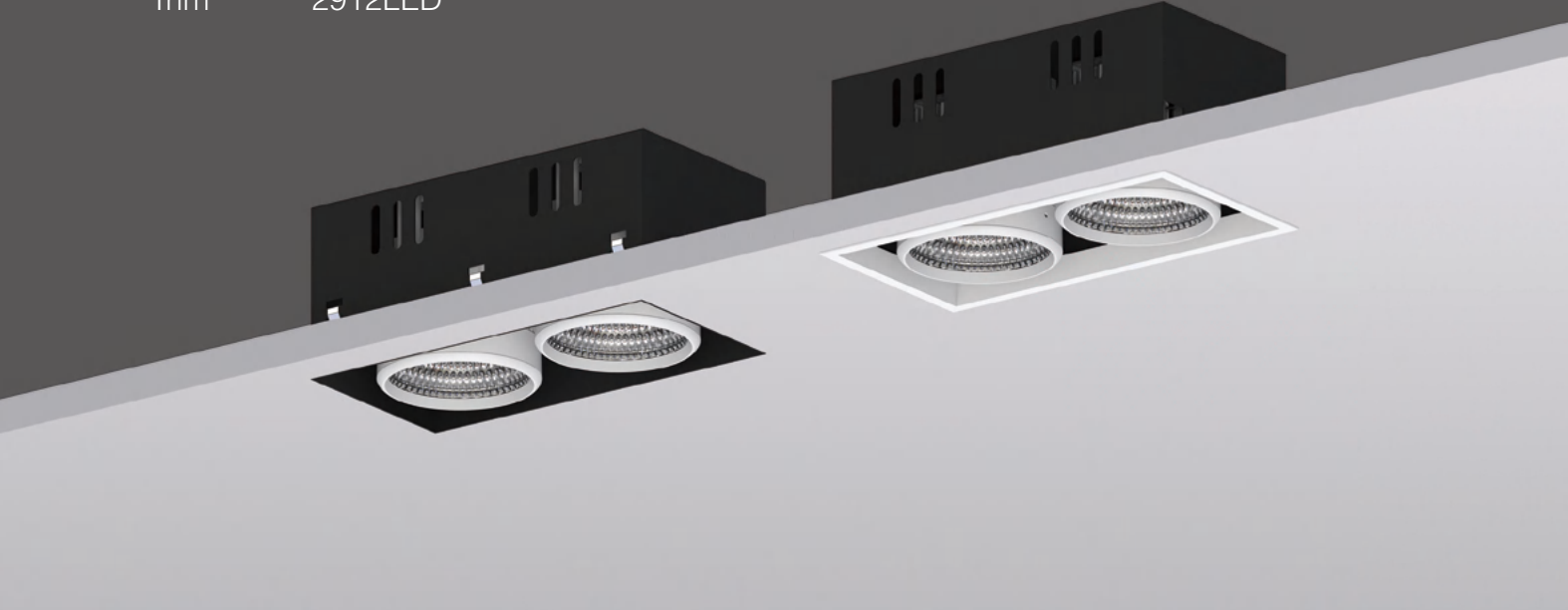
Emphasis of objects or architectural elements.

Technical drawing



GRIGLIA

Trimless W2912LED
Trim 2912LED



Quickinfo

GENERAL
Recessed
IP20

LED
CITIZEN
2x25W, 2x30W, 2x36W, 2x40W
2700K, 3000K, 4000K, 5000K
50000h@L80
CRI≥90
SDCM: 3

OPTICAL
Direct illumination
Beam angle 12°/32°/40°/60°
Optical accessories

ELECTRICAL
NON-DIM
PHASE
1-10V
DALI
BLUETOOTH

PHYSICAL
Aluminum



Description

The double heads high power design provides more luminous flux. And the universal adjustable design can help you to project light on different objects more accurately, highlighting different areas or objects.

Applications

Hotels, Shopping centers, Restaurants, Galleries, Large architectural structures, Retail stores, Showrooms, Bars, etc.

Features



Standard configuration

COLOUR TEMPERATURE
2700K
3000K

CONTROL
NON-DIM

OPTICAL
12°/32°/40°/60°

COLOUR(housing)
Black+White

COLOUR(reflector)
White

Extended configuration

COLOUR TEMPERATURE
4000K
5000K

CONTROL
DALI, PHASE, 1-10V

COLOUR(housing)
Black

Options on request

CONTROL
BLUETOOTH

Parameters

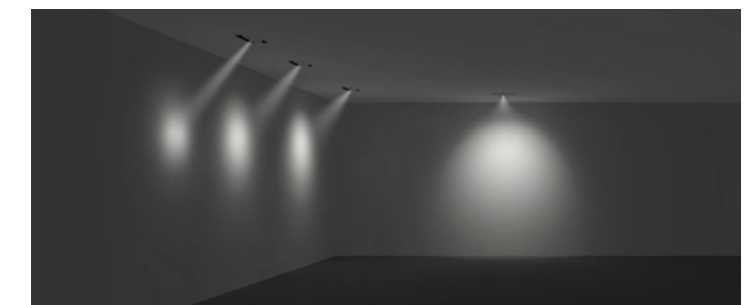
POWER	VF	CURRENT	CCT	LUMINOUS FLUX
2x25W	36V	600mA	2700K	4250~4340 lm
			3000K	4360~4416 lm
2x30W	36V	700mA	2700K	4822~4906 lm
			3000K	4940~5084 lm
2x36W	36V	900mA	2700K	5802~5892 lm
			3000K	5928~6064 lm
2x40W	36V	1050mA	2700K	6416~6516 lm
			3000K	6552~6602 lm

Test standards:
Citizen COB, CRI 90, tolerance range of electrical and optical parameters: ±10%.

Light Distribution

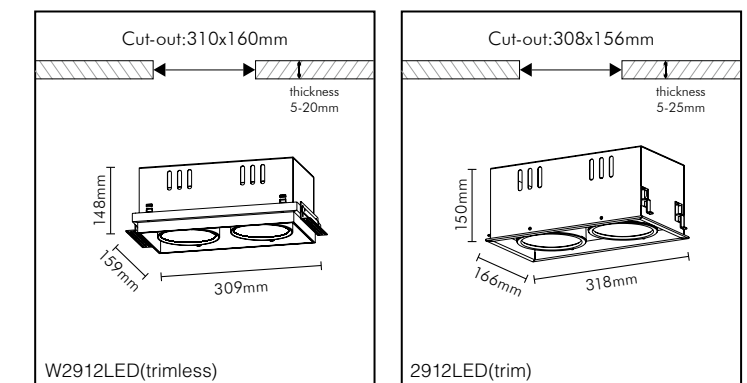
40W 12° 3000K Ra90			40W 32° 3000K Ra90			40W 40° 3000K Ra90			40W 60° 3000K Ra90		
H(m)	E(lx)	D(m)	H(m)	E(lx)	D(m)	H(m)	E(lx)	D(m)	H(m)	E(lx)	D(m)
2	11607	0.36	2	2199	1.07	2	1714	1.38	2	982	2.18
4	2902	0.71	4	550	2.14	4	429	2.76	4	246	4.36
6	1290	1.07	6	244	3.21	6	191	4.14	6	109	6.53
8	726	1.43	8	137	4.27	8	107	5.51	8	61	8.71
10	464	1.79	10	88	5.34	10	69	6.89	10	39	10.9

Light effect and planning aid



Emphasis of objects or architectural elements.

Technical drawing



GRIGLIA

Trimless W2913LED
Trim 2913LED



Quickinfo

GENERAL
Recessed
IP20

LED
CITIZEN
3x25W, 3x30W, 3x36W, 3x40W
2700K, 3000K, 4000K, 5000K
50000h@L80
CRI≥90
SDCM: 3

OPTICAL
Direct illumination
Beam angle 12°/32°/40°/60°
Optical accessories

ELECTRICAL
NON-DIM
PHASE
1-10V
DALI
BLUETOOTH

PHYSICAL
Aluminum



Description

The triple heads high power design provides more luminous flux. And the universal adjustable design can help you to project light on multiple objects more accurately, highlighting multiple areas or objects.

Applications

Hotels, Shopping centers, Restaurants, Galleries, Large architectural structures, Retail stores, Showrooms, Bars, etc.

Features



Standard configuration

COLOUR TEMPERATURE
2700K
3000K

CONTROL
NON-DIM

OPTICAL
12°/32°/40°/60°

COLOUR(housing)
Black+White

COLOUR(reflector)
White

Extended configuration

COLOUR TEMPERATURE
4000K
5000K

CONTROL
DALI, PHASE, 1-10V

COLOUR(housing)
Black

Options on request

CONTROL
BLUETOOTH

Parameters

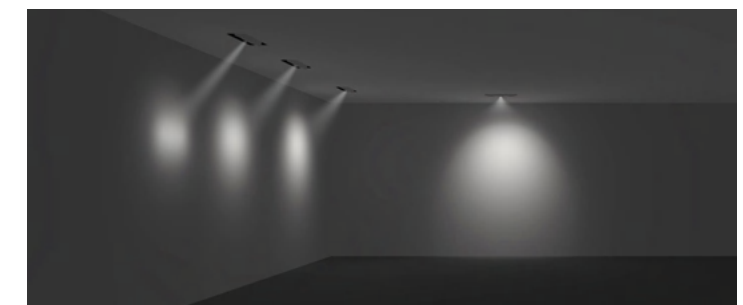
POWER	VF	CURRENT	CCT	LUMINOUS FLUX
3x25W	36V	600mA	2700K 3000K	6375~6510 lm 6540~6624 lm
3x30W	36V	700mA	2700K 3000K	7233~7359 lm 7410~7626 lm
3x36W	36V	900mA	2700K 3000K	8703~8838 lm 8892~9096 lm
3x40W	36V	1050mA	2700K 3000K	9624~9774 lm 9828~9903 lm

Test standards:
Citizen COB, CRI 90, tolerance range of electrical and optical parameters: ±10%.

Light Distribution

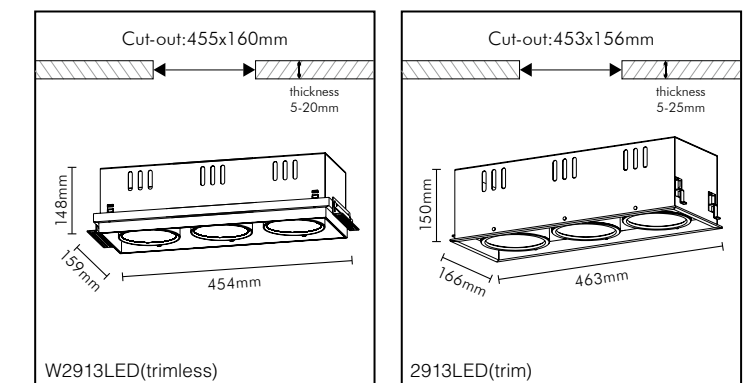
40W 12° 3000K Ra90			40W 32° 3000K Ra90			40W 40° 3000K Ra90			40W 60° 3000K Ra90		
H(m)	E(lx)	D(m)	H(m)	E(lx)	D(m)	H(m)	E(lx)	D(m)	H(m)	E(lx)	D(m)
2	11607	0.36	2	2199	1.07	2	1714	1.38	2	982	2.18
4	2902	0.71	4	560	2.14	4	429	2.76	4	246	4.36
6	1290	1.07	6	244	3.21	6	191	4.14	6	109	6.53
8	726	1.43	8	137	4.27	8	107	5.51	8	61	8.71
10	464	1.79	10	88	5.34	10	69	6.89	10	39	10.9

Light effect and planning aid



Emphasis of objects or architectural elements.

Technical drawing

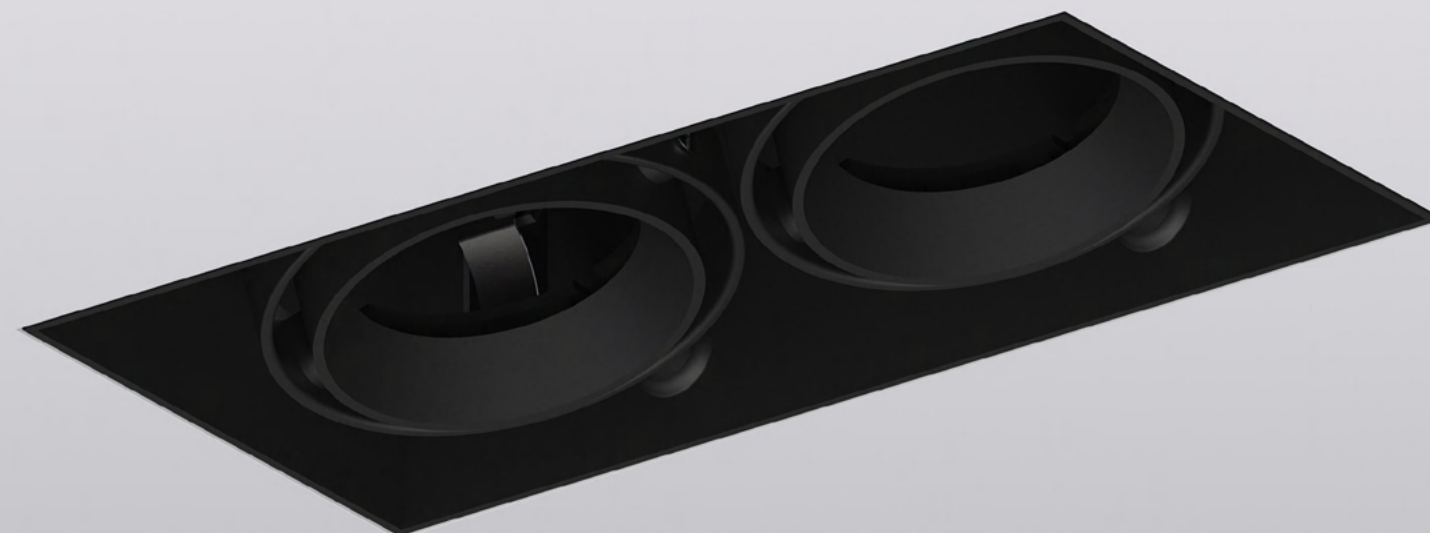
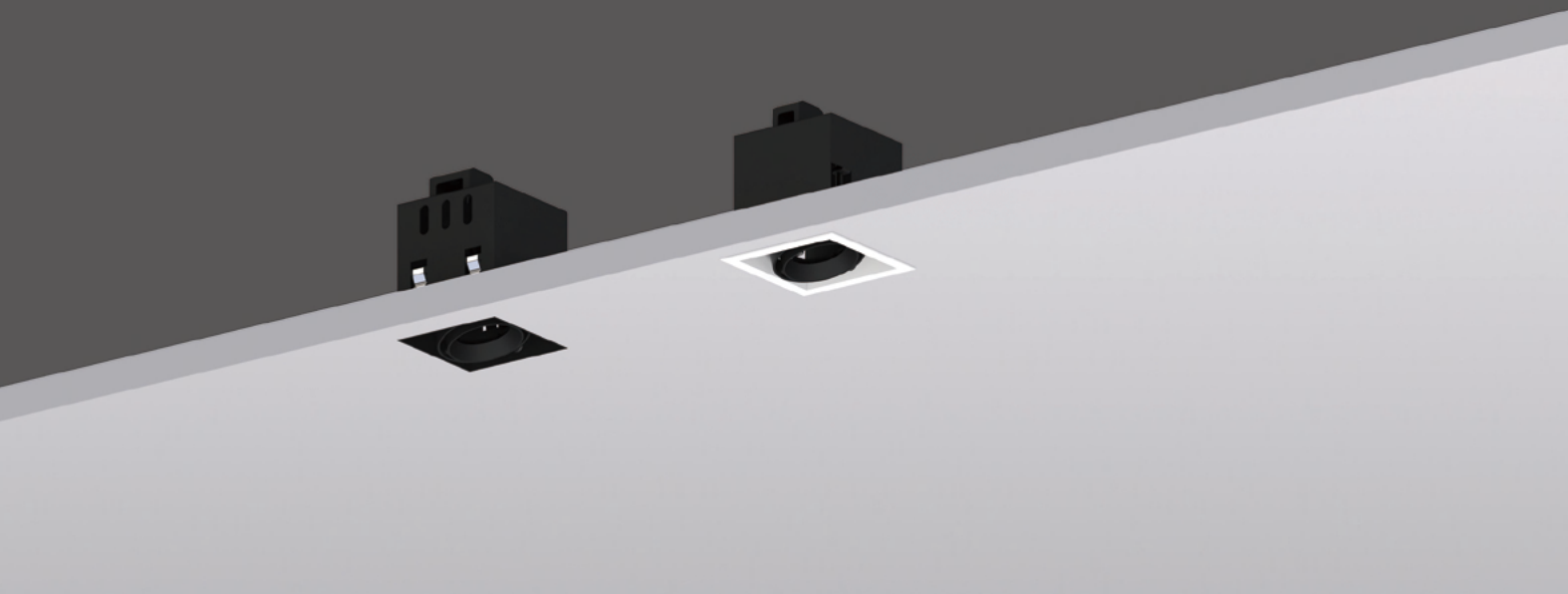






GRIGLIA

Trimless W2761
Trim 2161



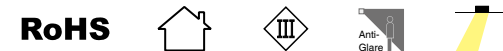
Quickinfo

GENERAL
Recessed
IP20

POWER
Max.50W

LAMP HOLDER
GU10
GU5.3

LAMP TYPE(VOLTAGE)
GU10LED(AC 220V)
MR16(AC 12V)



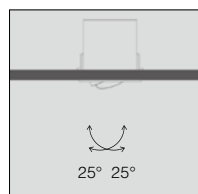
Description

The single head housing design is suitable for standard GU10 and MR-16 bulb. Different reflectors and optical accessories can be selected.

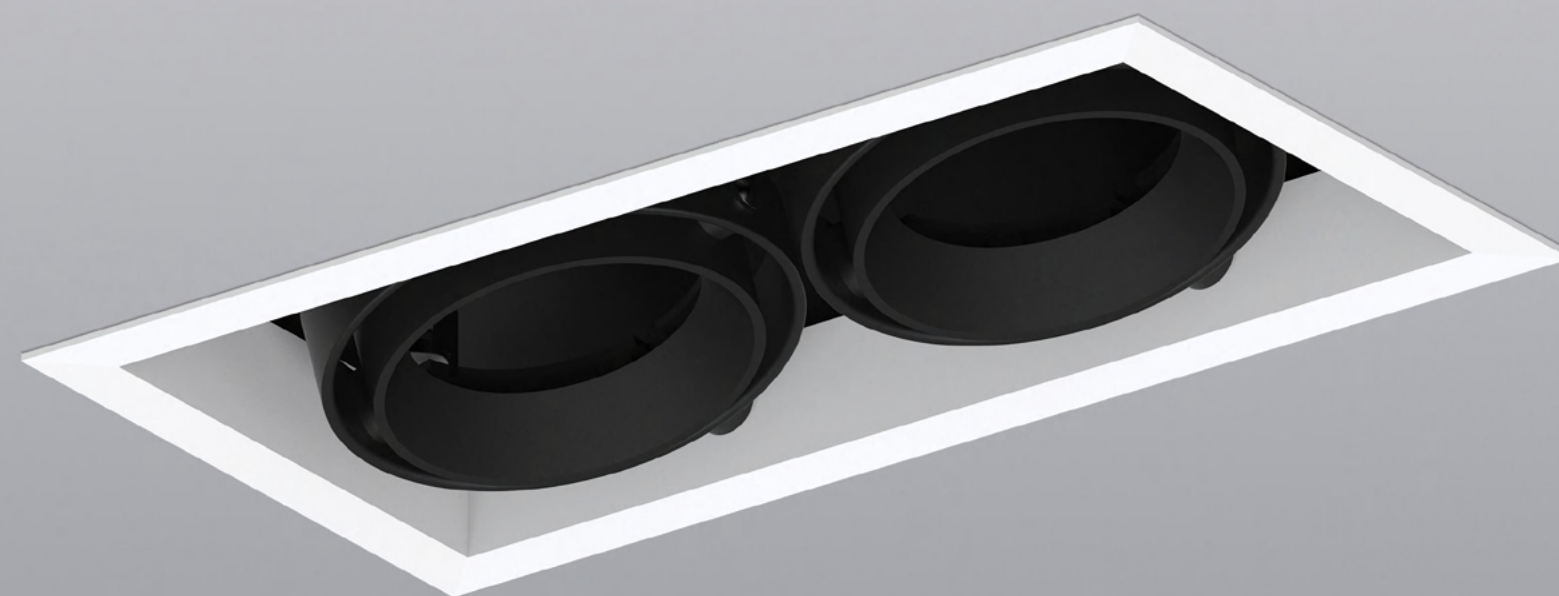
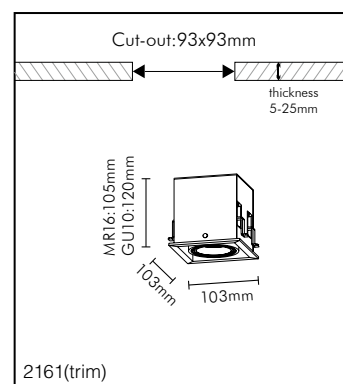
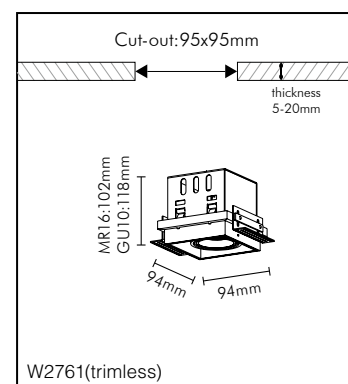
Applications

Hotels, Retail stores, Galleries, Showrooms, Shopping centers, Restaurants, Large architectural structures, Bars, etc.

Features

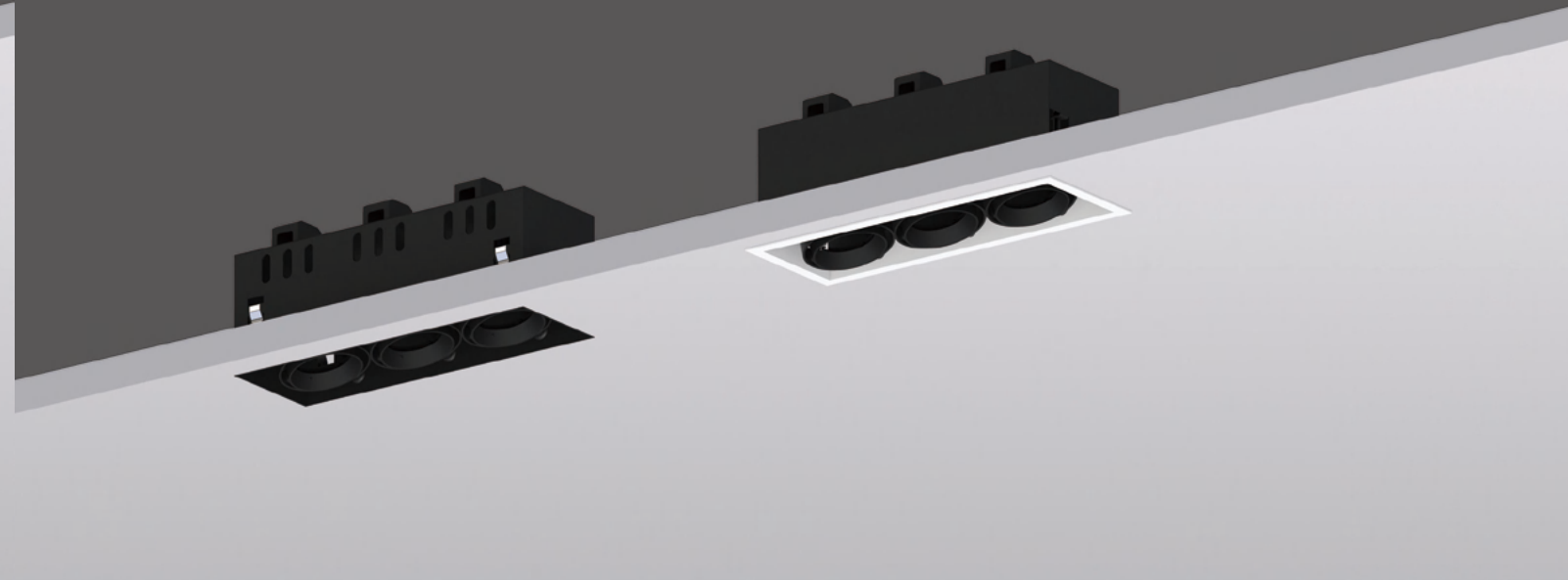
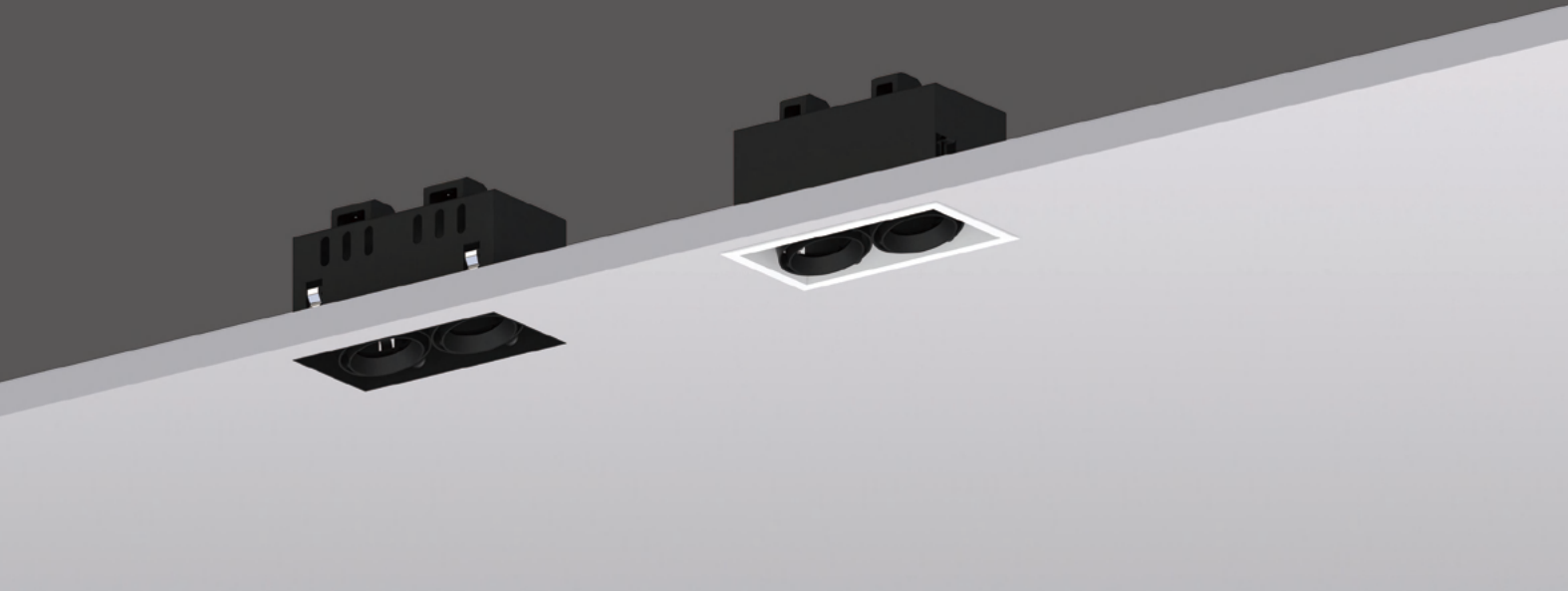


Technical drawing



Trimless W2762
Trim 2162

Trimless W2763
Trim 2163



Quickinfo

GENERAL
Recessed
IP20

POWER
2xMax.50W

LAMP HOLDER
GU10
GU5.3

LAMP TYPE(VOLTAGE)
GU10LED(AC 220V)
MR16(AC 12V)

RoHS



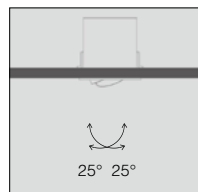
Description

The double heads housing design is suitable for standard GU10 and MR-16 bulb. Different reflectors and optical accessories can be selected.

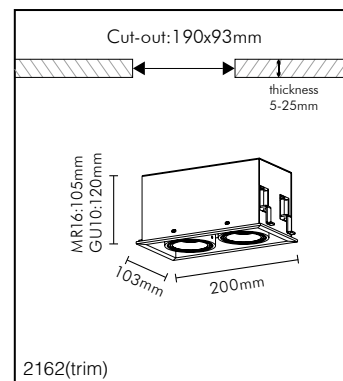
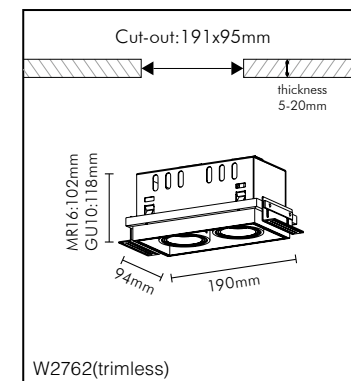
Applications

Hotels, Retail stores, Galleries, Showrooms, Shopping centers, Restaurants, Large architectural structures, Bars, etc.

Features



Technical drawing



Quickinfo

GENERAL
Recessed
IP20

POWER
3xMax.50W

LAMP HOLDER
GU10
GU5.3

LAMP TYPE(VOLTAGE)
GU10LED(AC 220V)
MR16(AC 12V)

RoHS



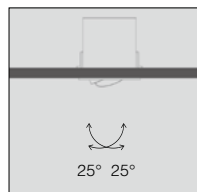
Description

The triple heads housing design is suitable for standard GU10 and MR-16 bulb. Different reflectors and optical accessories can be selected.

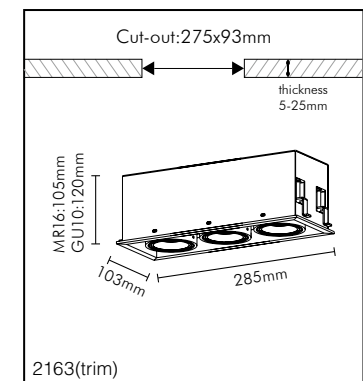
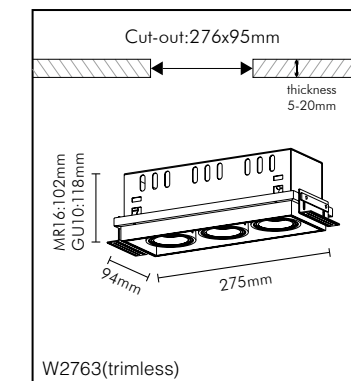
Applications

Hotels, Retail stores, Galleries, Showrooms, Shopping centers, Restaurants, Large architectural structures, Bars, etc.

Features

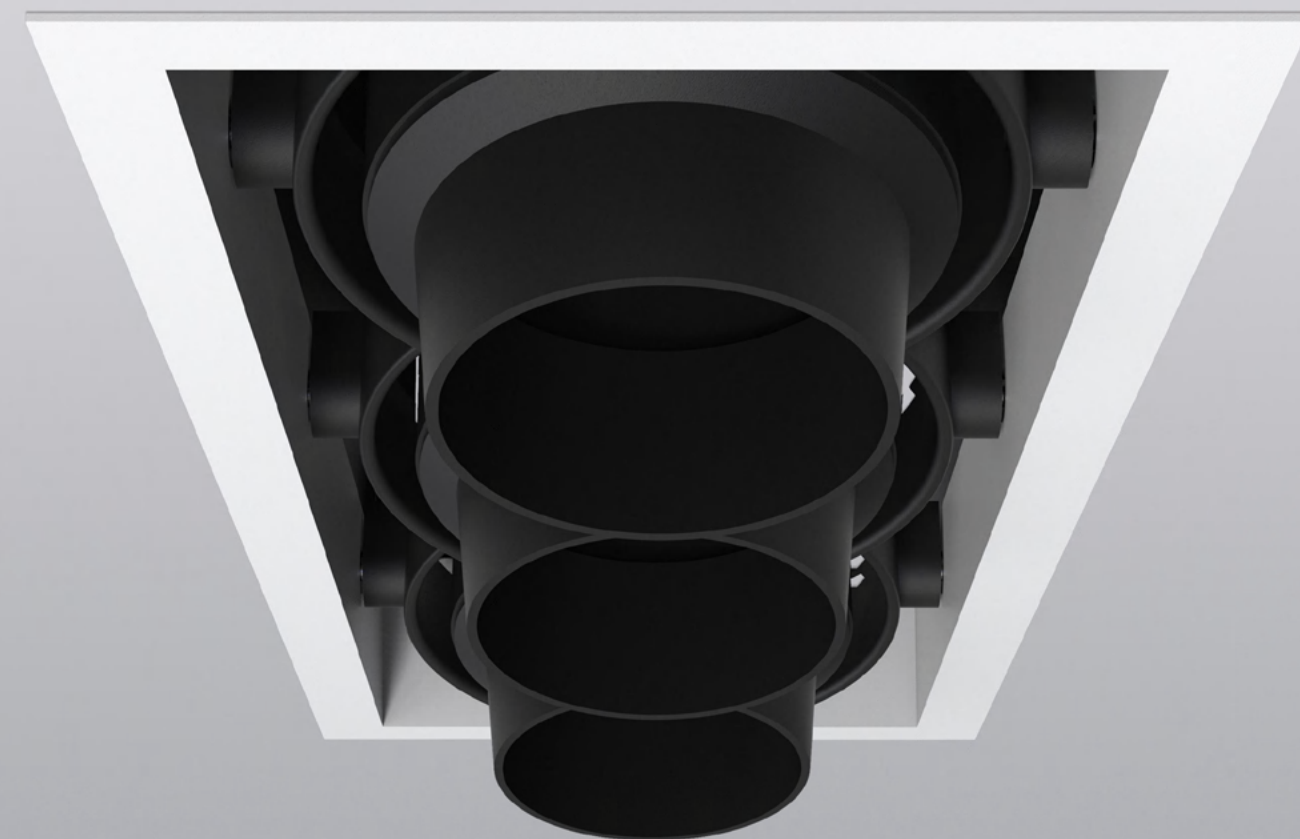
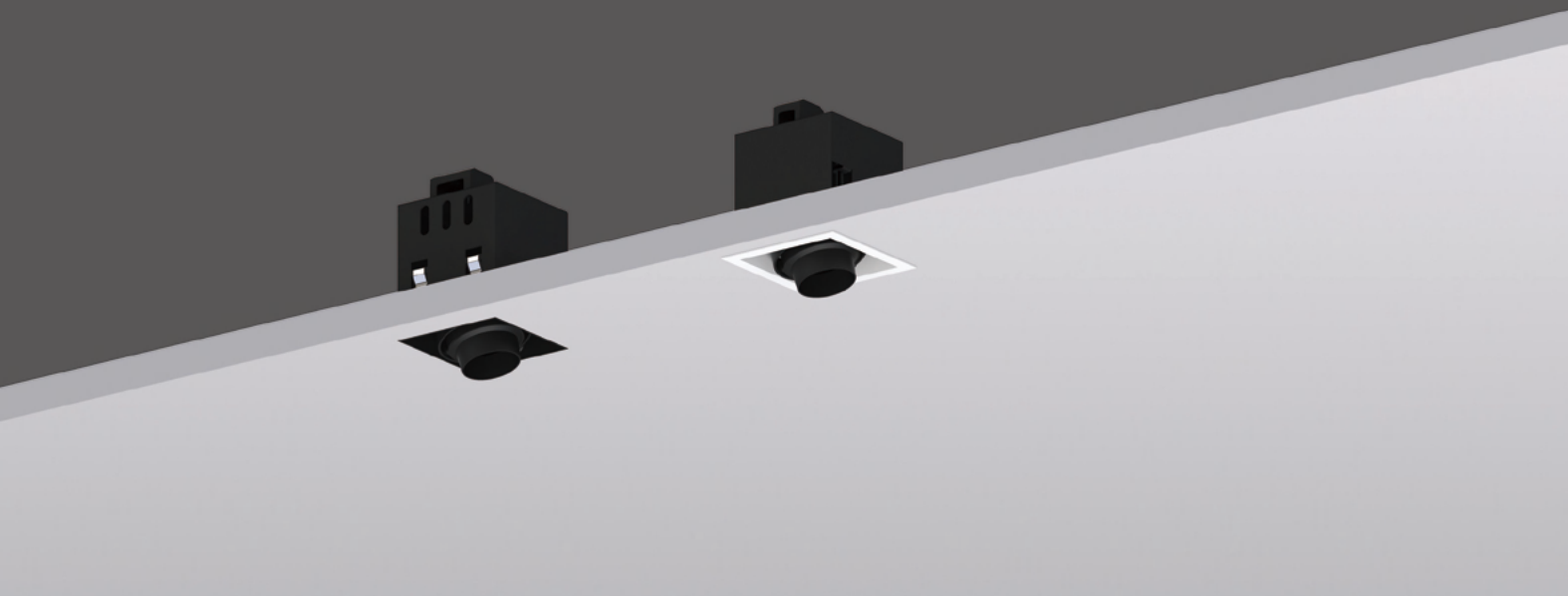


Technical drawing



GRIGLIA

Trimless W2661
Trim 2261



Quickinfo

GENERAL
Recessed
IP20

POWER
Max.50W

LAMP HOLDER
GU10
GU5.3

LAMP TYPE(VOLTAGE)
GU10LED(AC 220V)
MR16(AC 12V)

RoHS



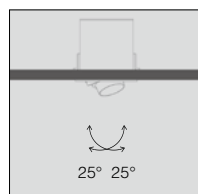
Description

The single head snout design, applicable to standard GU10 and MR-16 bulb, better anti glare effect, provide higher comfort.

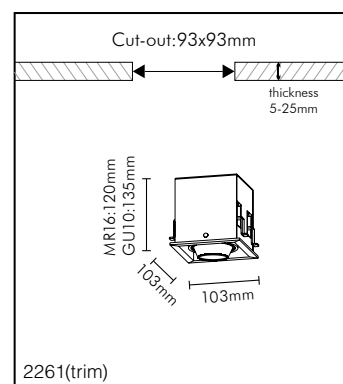
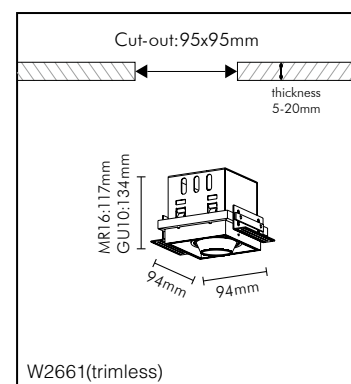
Applications

Hotels, Retail stores, Galleries, Showrooms, Shopping centers, Restaurants, Large architectural structures, Bars, etc.

Features

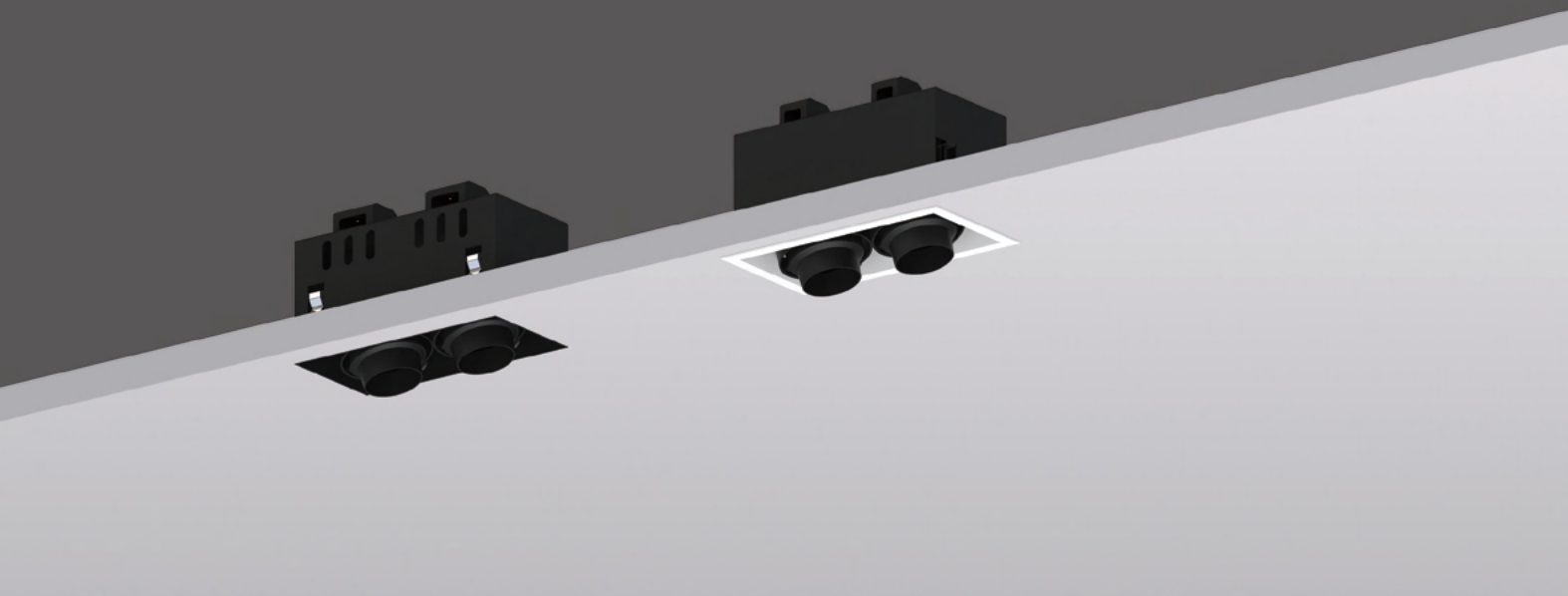


Technical drawing



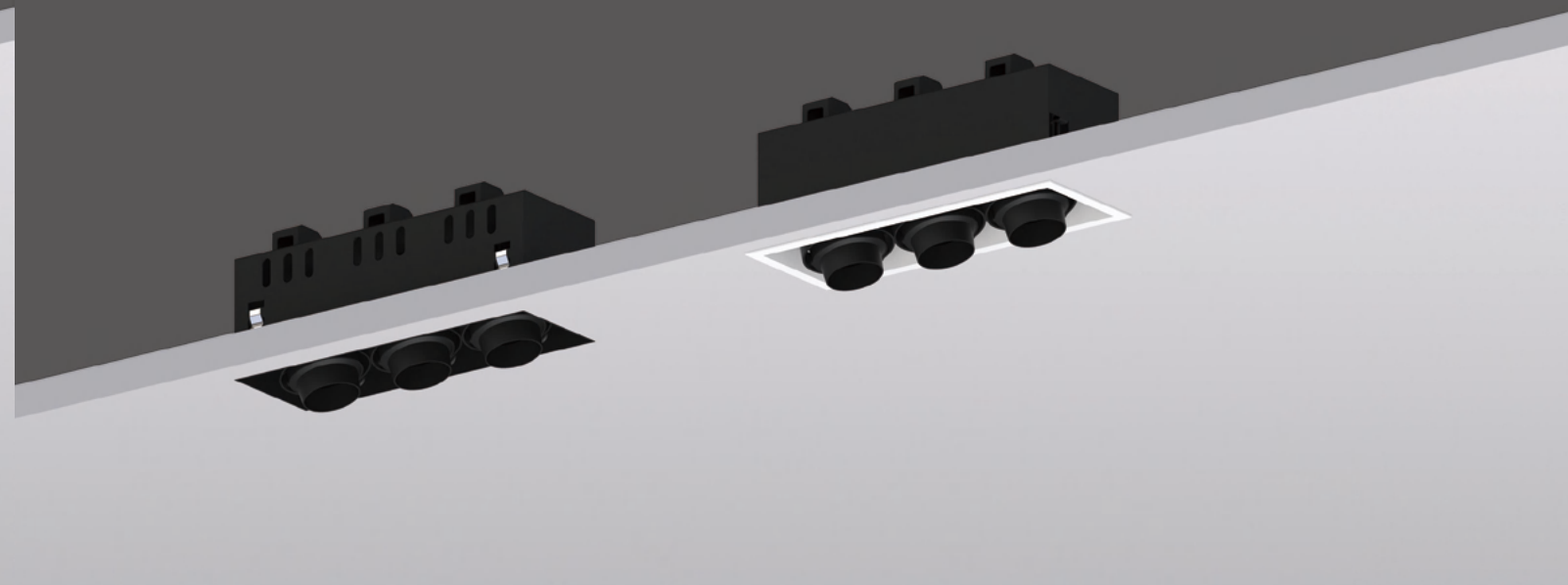
GRIGLIA

Trimless W2662
Trim 2262



GRIGLIA

Trimless W2663
Trim 2263



Quickinfo

GENERAL
Recessed
IP20

POWER
2xMax.50W

LAMP HOLDER
GU10
GU5.3

LAMP TYPE(VOLTAGE)
GU10LED(AC 220V)
MR16(AC 12V)

RoHS



Description

The double heads snout design, applicable to standard GU10 and MR-16 bulb, better anti glare effect, provide higher comfort.

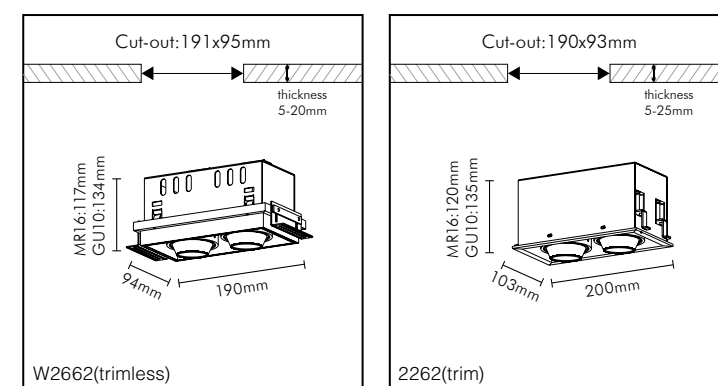
Applications

Hotels, Retail stores, Galleries, Showrooms, Shopping centers, Restaurants, Large architectural structures, Bars, etc.

Features



Technical drawing



Quickinfo

GENERAL
Recessed
IP20

POWER
3xMax.50W

LAMP HOLDER
GU10
GU5.3

LAMP TYPE(VOLTAGE)
GU10LED(AC 220V)
MR16(AC 12V)

RoHS



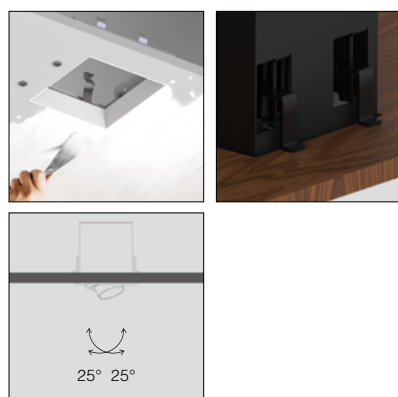
Description

The triple heads snout design, applicable to standard GU10 and MR-16 bulb, better anti glare effect, provide higher comfort.

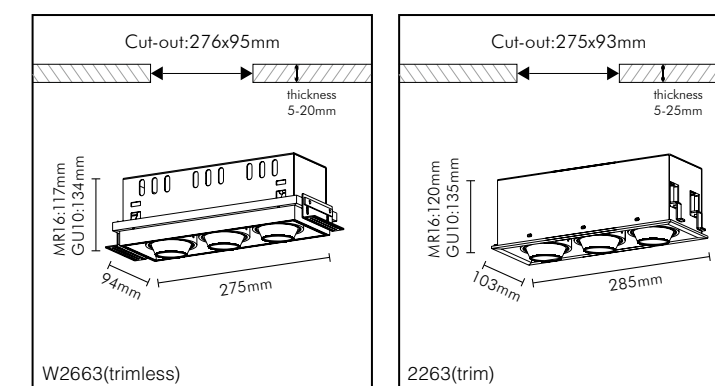
Applications

Hotels, Retail stores, Galleries, Showrooms, Shopping centers, Restaurants, Large architectural structures, Bars, etc.

Features

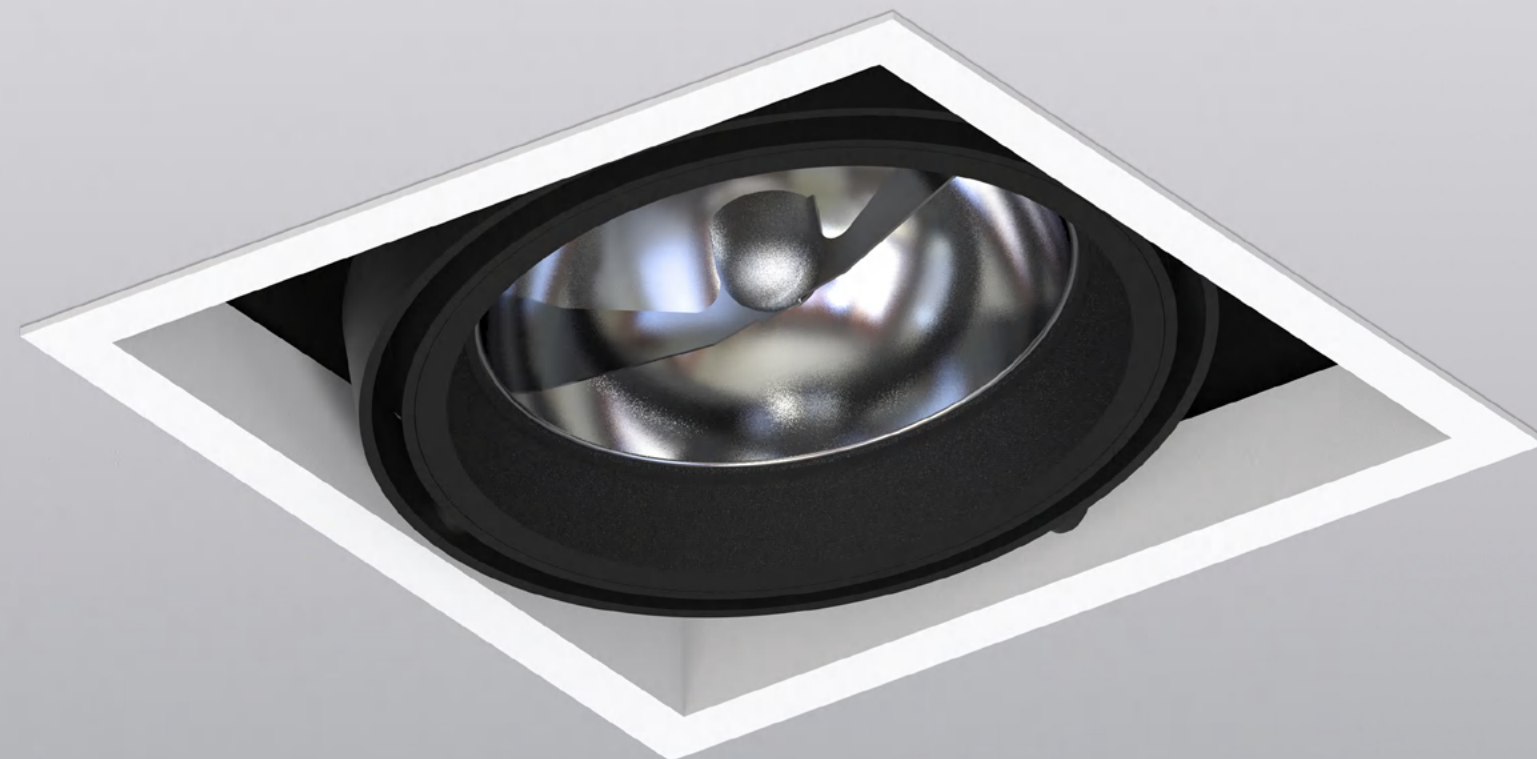
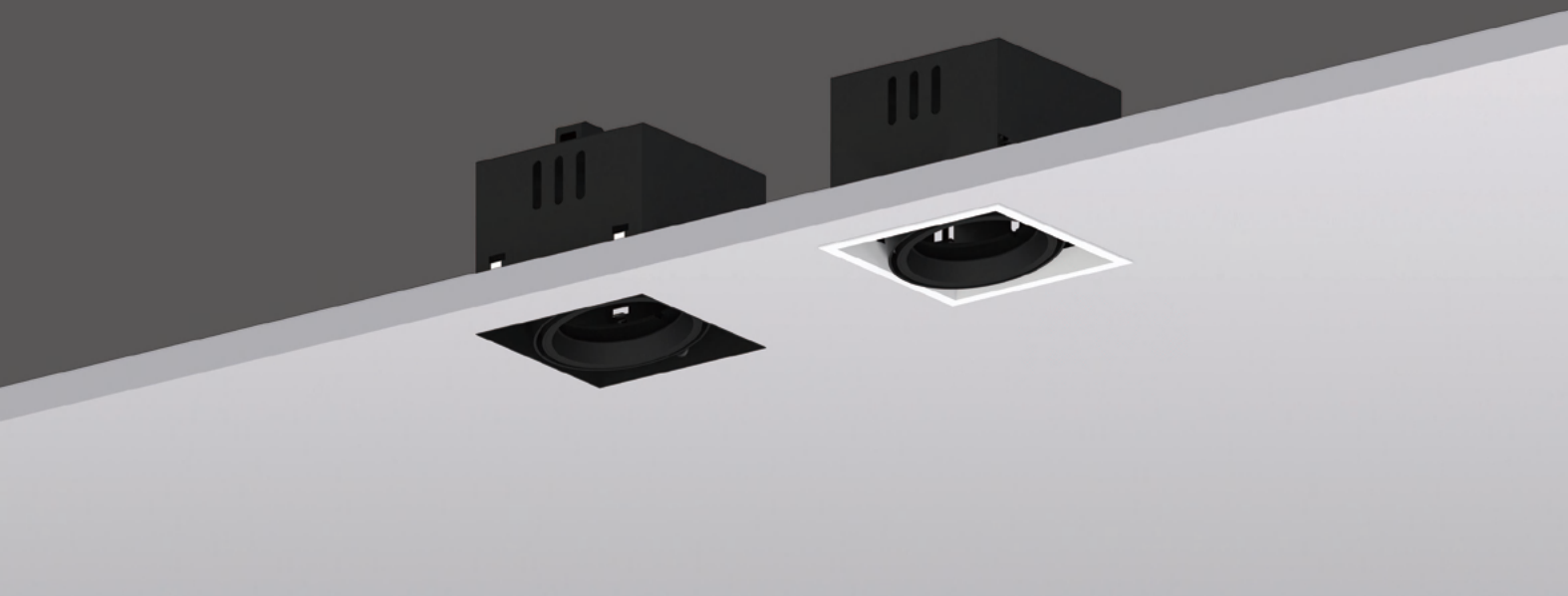


Technical drawing



GRIGLIA

Trimless W2211
Trim 2111



Quickinfo

GENERAL
Recessed
IP20

POWER
Max.70W

LAMP HOLDER
GX8.5
G53

LAMP TYPE(VOLTAGE)
CDM-R111(AC 220V)
QR111(AC 12V)

RoHS



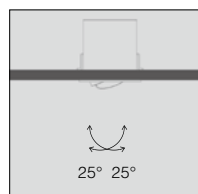
Description

The single head housing design, applicable to standard QR111 and CDM-R111 light source, let your light source quality play better.

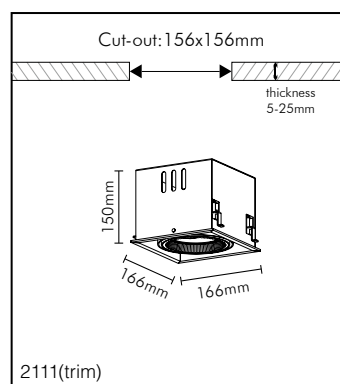
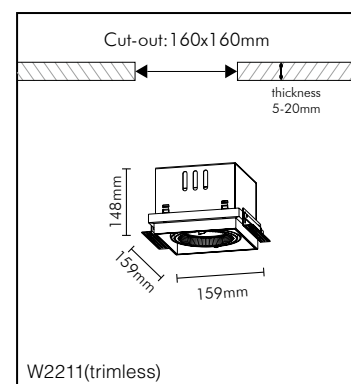
Applications

Hotels, Retail stores, Galleries, Showrooms, Shopping centers, Restaurants, Large architectural structures, Bars, etc.

Features

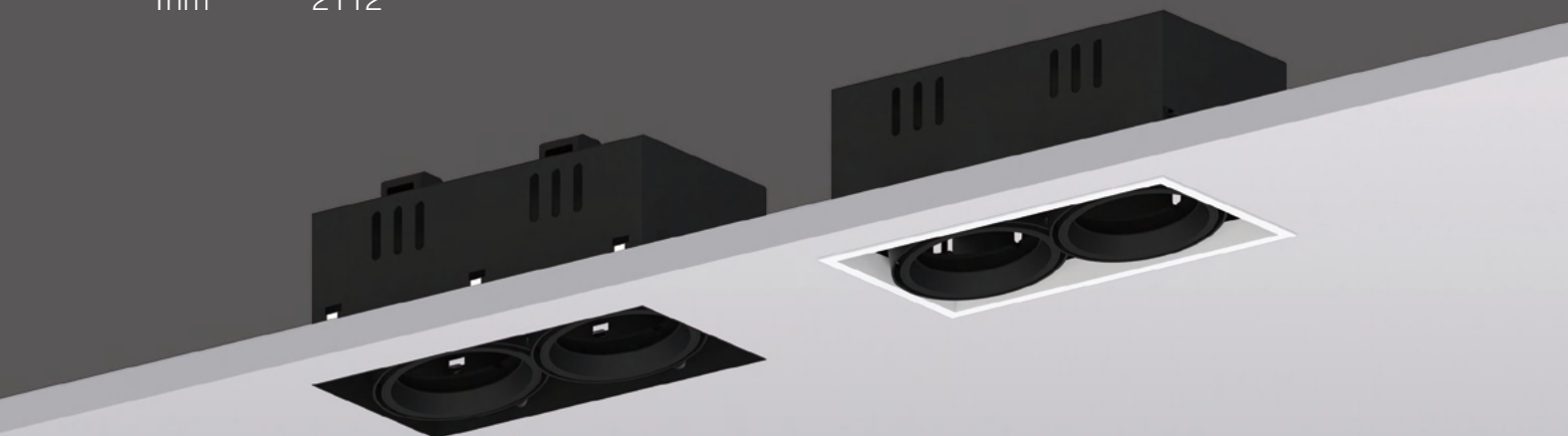


Technical drawing



GRIGLIA

Trimless W2212
Trim 2112



GRIGLIA

Trimless W2213
Trim 2113



Quickinfo

GENERAL
Recessed
IP20

POWER
2xMax.70W

LAMP HOLDER
GX8.5
G53

LAMP TYPE(VOLTAGE)
CDM-R111(AC 220V)
QR111(AC 12V)

RoHS



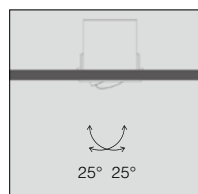
Description

The double heads housing design, applicable to standard QR111 and CDM-R111 light source, let your light source quality play better.

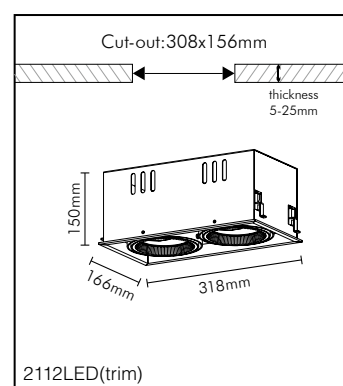
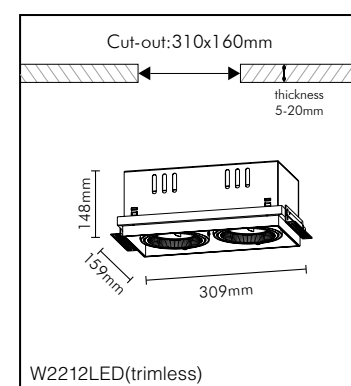
Applications

Hotels, Retail stores, Galleries, Showrooms, Shopping centers, Restaurants, Large architectural structures, Bars, etc.

Features



Technical drawing



Quickinfo

GENERAL
Recessed
IP20

POWER
3xMax.70W

LAMP HOLDER
GX8.5
G53

LAMP TYPE(VOLTAGE)
CDM-R111(AC 220V)
QR111(AC 12V)

RoHS



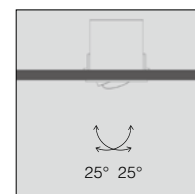
Description

The triple heads housing design, applicable to standard QR111 and CDM-R111 light source, let your light source quality play better.

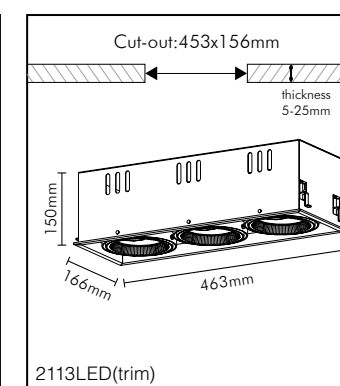
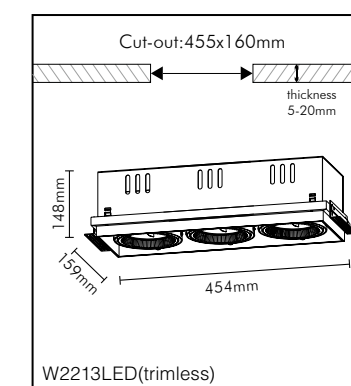
Applications

Hotels, Retail stores, Galleries, Showrooms, Shopping centers, Restaurants, Large architectural structures, Bars, etc.

Features



Technical drawing

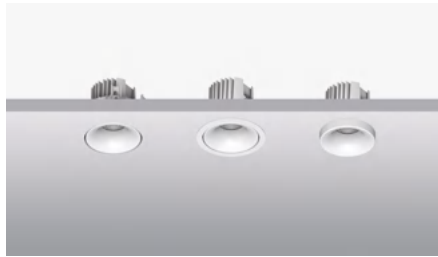




LIGHTING
INSPIRING LIVING

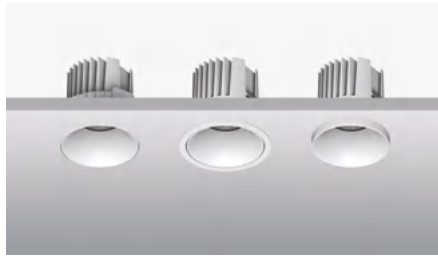
TITAMIA

Bathroom
lighting / S



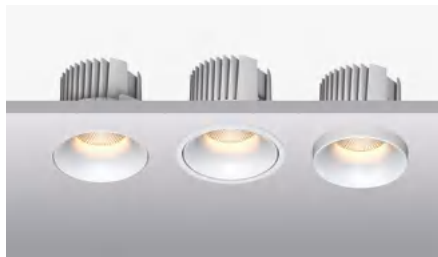
W1591LED... <small>Trimless</small>	676
1731LED... <small>Trim</small>	676
1591LED... <small>Trim</small>	676

Bathroom
lighting / M



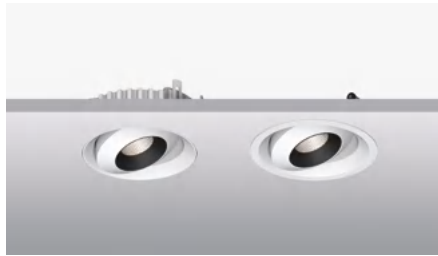
W1821LED... <small>Trimless</small>	680
1971LED... <small>Trim</small>	680
1821LED... <small>Trim</small>	680

Bathroom
lighting / L



W11009LED... <small>Trimless</small>	684
11151LED... <small>Trim</small>	684
11009LED... <small>Trim</small>	684

Adjustable



W11051LED... <small>Trimless</small>	694
11051LED... <small>Trim</small>	694

Adjustable
φ75mm
φ100mm



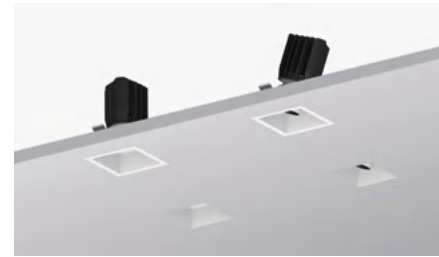
2751LED... <small>Recessed</small>	702
8751LED... <small>Surface mounted</small>	702
21001LED... <small>Recessed</small>	704
81001LED... <small>Surface mounted</small>	704

Adjustable



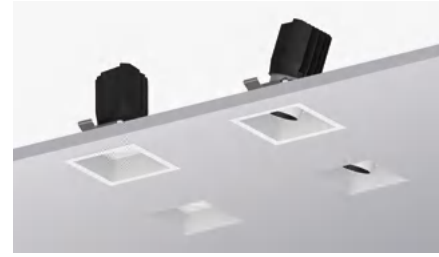
1858LED	710
---------	-----

Square
64x64mm



W1641LED... <small>Trimless / Fixed</small>	720
1641LED... <small>Trim / Fixed</small>	720
W1642LED... <small>Trimless / Adjustable</small>	722
1642LED... <small>Trim / Adjustable</small>	722

Square
89x89mm



W1891LED... <small>Trimless / Fixed</small>	724
1891LED... <small>Trim / Fixed</small>	724
W1892LED... <small>Trimless / Adjustable</small>	726
1892LED... <small>Trim / Adjustable</small>	726

Round
φ64mm



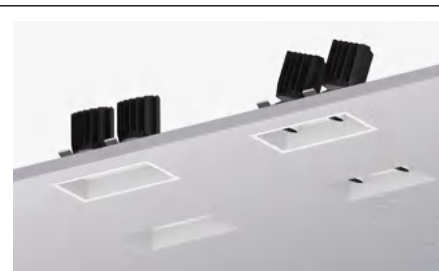
W1643LED... <small>Trimless / Fixed</small>	734
1643LED... <small>Trim / Fixed</small>	734
W1644LED... <small>Trimless / Adjustable</small>	736
1644LED... <small>Trim / Adjustable</small>	736

Round
φ89mm



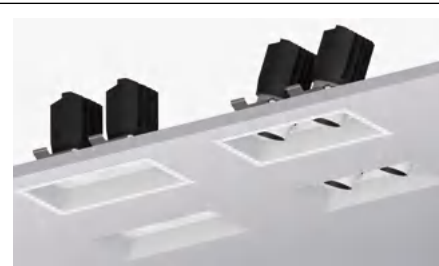
1893LED... <small>Trim / Fixed</small>	738
1894LED... <small>Trim / Adjustable</small>	740

Rectangle
122x64mm



W11221LED... <small>Trimless / Fixed</small>	748
11221LED... <small>Trim / Fixed</small>	748
W11222LED... <small>Trimless / Adjustable</small>	750
11222LED... <small>Trim / Adjustable</small>	750

Rectangle
169x89mm




W11691LED... <small>Trimless / Fixed</small>	752
11691LED... <small>Trim / Fixed</small>	752
W11692LED... <small>Trimless / Adjustable</small>	754
11692LED... <small>Trim / Adjustable</small>	754


TITAMIA

Recessed φ60mm		2602LED...LED.....	762
		2602...GU10.....	762

Surface mounted φ60mm		8602LED...LED.....	764
		8602...GU10.....	764

Surface mounted φ60mm		8603LED...Single head / LED.....	768
		8603...Single head / GU10.....	768
		8604LED...Double heads / LED.....	770
		8604...Double heads / GU10.....	770

		8605LED...Triple heads / LED.....	772
		8605...Triple heads / GU10.....	772

Surface mounted φ60mm		8606LED...Single head / LED.....	776
		8606...Single head / GU10.....	776
		8607LED...Double heads / LED.....	778
		8607...Double heads / GU10.....	778


8608LED...Triple heads / LED..... 780


8608...Triple heads / GU10..... 780

8609LED...Quadruple heads / LED..... 782

8609...Quadruple heads / GU10..... 782

Surface mounted		8501LED...φ50mm.....	786
		8601LED...φ60mm.....	788
		8701LED...φ70mm.....	790

Focusing Track φ35mm		3351LED...L:100mm.....	796
		3353LED...L:185mm.....	796

Track φ35mm		3352LED...L:100mm.....	798
		3354LED...L:185mm.....	798

Recessed φ35mm		2351LED...Single head / φ35mm.....	802
		2353LED...Single head / φ35mm.....	802
		2352LED...Double heads / φ35mm.....	804
		2505LED...Single head / φ50mm.....	806

Surface mounted		8353LED...φ35mm.....	810
		8502LED...φ50mm.....	812
		8351LED...φ35mm.....	816
		8352LED...φ35mm.....	820

Wall- mounted		4353LED...φ35mm.....	822
		4352LED...Recessed / φ35mm.....	826
		4351LED...φ35mm.....	828



IP54



- Module design, three different sizes, three different visual effects.
- Deep anti-glare design, comfortable lighting environment.
- Adopt the most efficient COB chip technology, greatly improve the light efficiency.
- With advanced waterproof technology, the waterproof grade reaches IP54.

TITAMIA

Trimless W1591LED
 Trim 1731LED
 Trim 1591LED



Quickinfo

GENERAL
 Recessed
 IP54

LED
CITIZEN
 7W
 2700K, 3000K, 4000K, 5000K
 50000h@L80
 CRI≥90
 SDCM: 3

OPTICAL
 Direct illumination
 Beam angle 18°/36°
 Optical accessories

ELECTRICAL
 NON-DIM,
 PHASE,
 1-10V,
 DALI,
 BLUETOOTH

PHYSICAL
 Aluminum



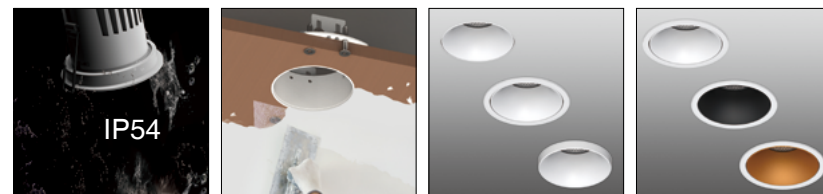
Description

Small size design, suitable for low ceiling space, a variety of different trims and reflectors collocation make the space more harmonious.

Applications

Hotels, Residences, Shopping malls and other semi outdoor spaces, as well as wet areas requiring anti fogging.

Features



Standard configuration

COLOUR TEMPERATURE
 2700K
 3000K

CONTROL
 NON-DIM

OPTICAL
 18°/36°

COLOUR(housing)
 White

COLOUR(reflector)
 White, Black, Gold

Extended configuration

COLOUR TEMPERATURE
 4000K
 5000K

CONTROL
 DALI, PHASE, 1-10V

Options on request

CONTROL
 BLUETOOTH

Parameters

POWER	VF	CURRENT	CCT	LUMINOUS FLUX
7W	31V	200mA	3000K	412~446 lm

Test standards:
 Citizen COB, CRI 90, tolerance range of electrical and optical parameters: ±10%.

Light Distribution

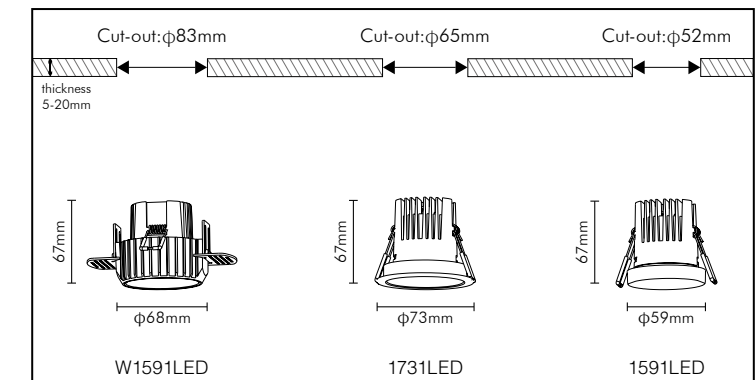
7W 18° 3000K Ra90			7W 35° 3000K Ra90		
H(m)	E lx	D(m)	H(m)	E lx	D(m)
1	2926	0.31	1	1093	0.62
2	732	0.61	2	273	1.24
3	325	0.92	3	122	1.86
4	183	1.22	4	68	2.47
5	117	1.53	5	44	3.09

Light effect and planning aid



Emphasis of objects or architectural elements. Wide-beam illumination of larger objects or spatial zones.

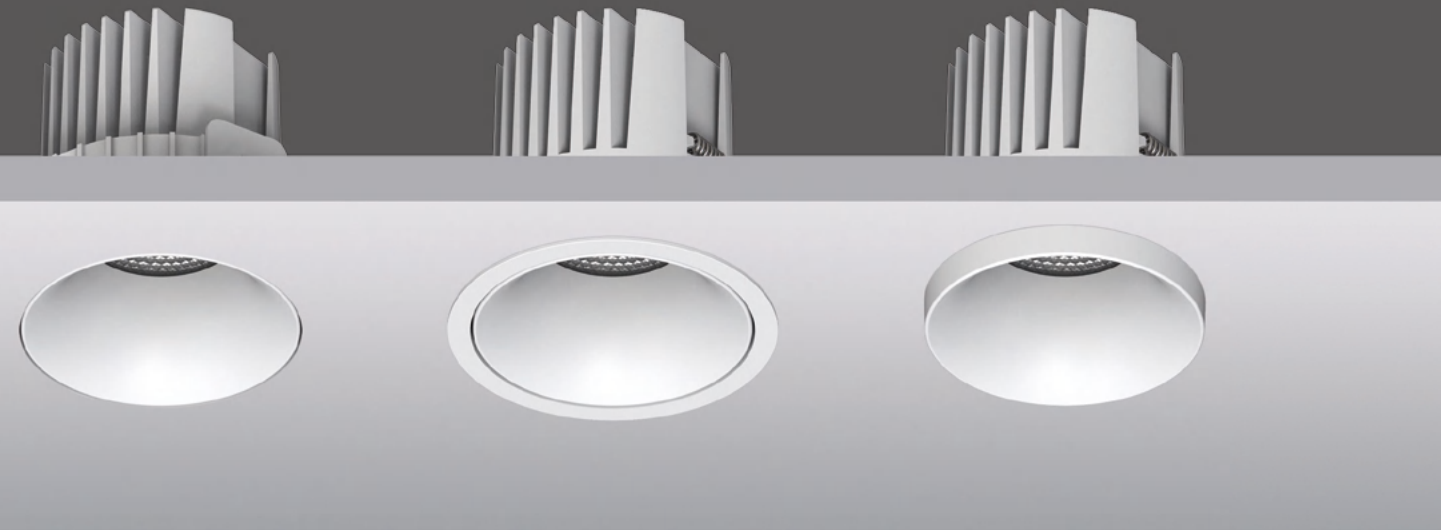
Mounting dimension





TITAMIA

Trimless W1821LED
 Trim 1971LED
 Trim 1821LED



Quickinfo

GENERAL
 Recessed
 IP54

LED
CITIZEN
 15W
 2700K, 3000K, 4000K, 5000K
 50000h@L80
 CRI≥90
 SDCM: 3

OPTICAL
 Direct illumination
 Beam angle 20°/35°/50°
 Optical accessories

ELECTRICAL
 NON-DIM,
 PHASE,
 1-10V,
 DALI,
 BLUETOOTH

PHYSICAL
 Aluminum



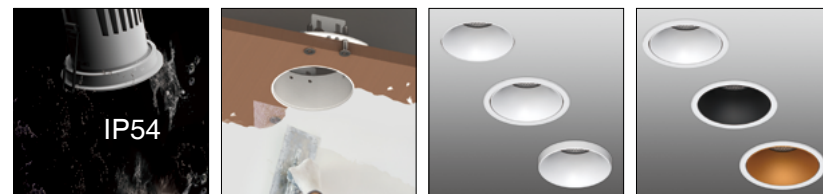
Description

A variety of different trims and reflectors collocation make the space more harmonious. At the same time, it can provide you with higher brightness, meet higher and larger space lighting requirements, and provide more luminous flux.

Applications

Hotels, Residences, Shopping malls and other semi outdoor spaces, as well as wet areas requiring anti fogging.

Features



Standard configuration

COLOUR TEMPERATURE
 2700K
 3000K

CONTROL
 NON-DIM

OPTICAL
 20°/35°/50°

COLOUR(housing)
 White

COLOUR(reflector)
 White, Black, Gold

Extended configuration

COLOUR TEMPERATURE
 4000K
 5000K

CONTROL
 DALI, PHASE, 1-10V

Options on request

CONTROL
 BLUETOOTH

Parameters

POWER	VF	CURRENT	CCT	LUMINOUS FLUX
15W	36V	350mA	3000K	852~879 lm

Test standards:
 Citizen COB, CRI 90, tolerance range of electrical and optical parameters: ±10%.

Light Distribution

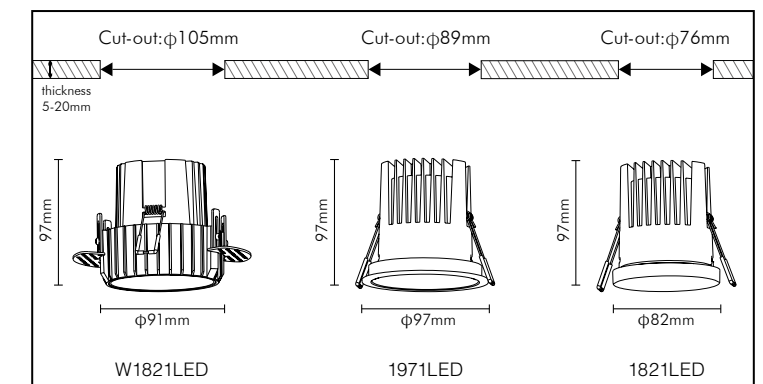
15W 20° 3000K Ra90			15W 35° 3000K Ra90			15W 50° 3000K Ra90		
H(m)	E(lx)	D(m)	H(m)	E(lx)	D(m)	H(m)	E(lx)	D(m)
1	4296	0.39	1	2420	0.61	1	1346	0.94
2	1074	0.77	2	605	1.21	2	337	1.89
3	477	1.16	3	269	1.82	3	150	2.83
4	289	1.54	4	151	2.42	4	84	3.78
5	172	1.93	5	97	3.03	5	54	4.72

Light effect and planning aid



Emphasis of objects or architectural elements. Wide-beam illumination of larger objects or spatial zones.

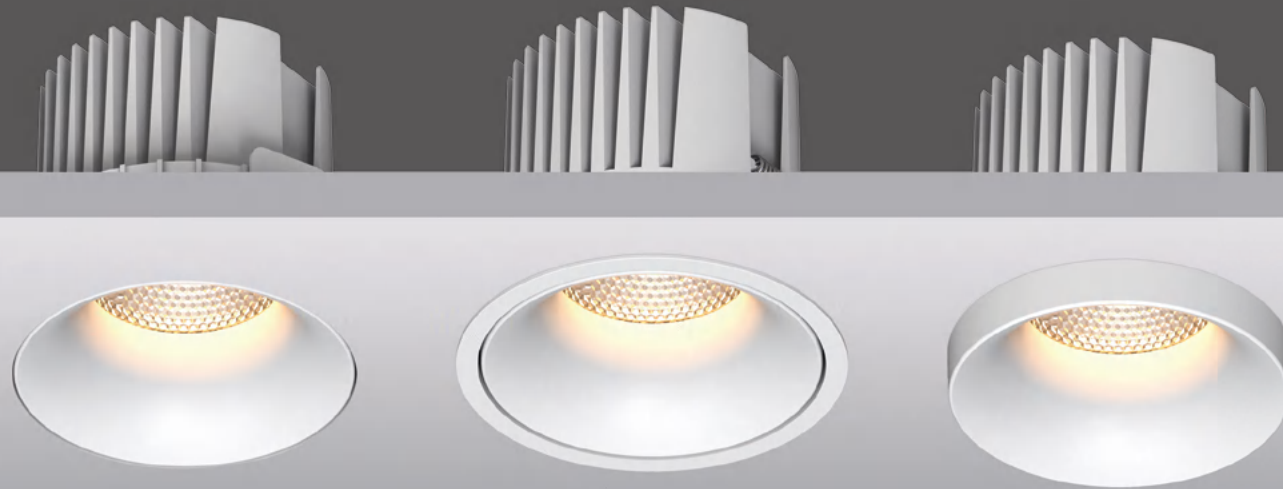
Mounting dimension





TITAMIA

Trimless W11009LED
 Trim 11151LED
 Trim 11009LED



Quickinfo

GENERAL

Recessed
 IP54

LED

CITIZEN
 20W
 2700K, 3000K, 4000K, 5000K
 50000h@L80
 CRI≥90
 SDCM: 3

OPTICAL

Direct illumination
 Beam angle 15°/25°
 Optical accessories

ELECTRICAL

NON-DIM,
 PHASE,
 1-10V,
 DALI,
 BLUETOOTH

PHYSICAL

Aluminum



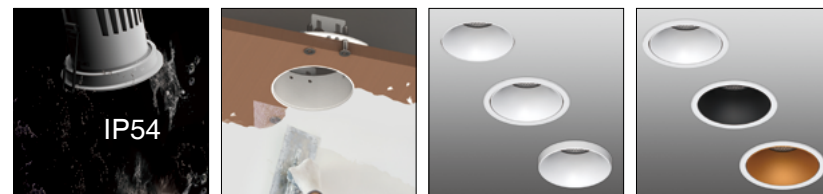
Description

Bigger size and larger volume provide maximum luminous flux to meet higher and larger space lighting requirements. A variety of different trims and reflectors make the space more harmonious.

Applications

Hotels, Residences, Shopping malls and other semi outdoor spaces, as well as wet areas requiring anti fogging.

Features



Standard configuration

COLOUR TEMPERATURE
 2700K
 3000K

CONTROL
 NON-DIM

OPTICAL
 15°/25°

COLOUR(housing)
 White

COLOUR(reflector)
 White, Black, Gold

Extended configuration

COLOUR TEMPERATURE
 4000K
 5000K

CONTROL
 DALI, PHASE, 1-10V

Options on request

CONTROL
 BLUETOOTH

Parameters

POWER	VF	CURRENT	CCT	LUMINOUS FLUX
20W	36V	500mA	3000K	1415~1459 lm

Test standards:
 Citizen COB, CRI 90, tolerance range of electrical and optical parameters: ±10%.

Light Distribution

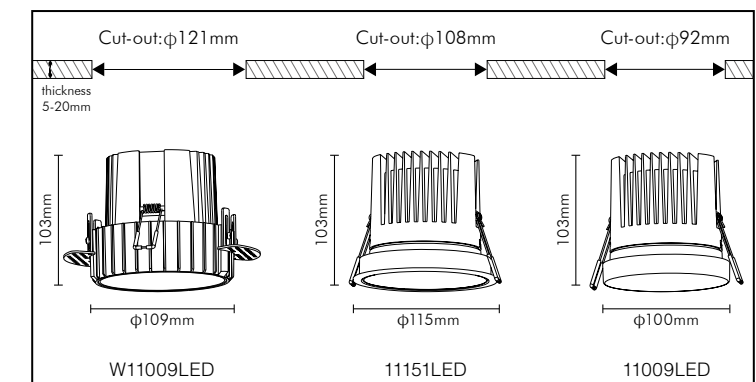
20W 15° 3000K Ra90			20W 25° 3000K Ra90		
H(m)	E lx	D(m)	H(m)	E lx	D(m)
1	8105	0.32	1	4899	0.48
2	2026	0.63	2	1225	0.96
3	901	0.95	3	544	1.43
4	507	1.26	4	306	1.91
5	324	1.58	5	196	2.39

Light effect and planning aid



Emphasis of objects or architectural elements. Wide-beam illumination of larger objects or spatial zones.

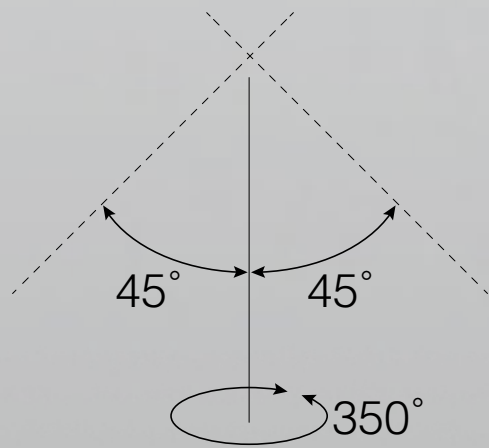
Mounting dimension











- Recessed design.
- The adjustable angle is 45°, the luminaires can be adjusted precisely for optimum beam alignment. The light is thus emitted precisely to where it is required.
- Adopt the most efficient COB chip technology, greatly improve the light efficiency.
- Deep anti-glare structure design.
- High quality optical design, pure and soft light.

TITAMIA

Trimless W11051LED
Trim 11051LED

Standard configuration

COLOUR TEMPERATURE
2700K
3000K

CONTROL
NON-DIM

OPTICAL
16°/36°

COLOUR(housing)
White

COLOUR(reflector)
White, Black, Gold

Parameters

POWER	Vf	CURRENT	CCT	LUMINOUS FLUX
9W	31V	250mA	3000K	609~634 lm

Test standards:
Citizen COB, CRI 90, tolerance range of electrical and optical parameters: ±10%.

Light Distribution

9W 16° 3000K Ra90			9W 36° 3000K Ra90		
H(m)	E(lx)	D(m)	H(m)	E(lx)	D(m)
1	3840	0.30	1	1379	0.70
2	960	0.60	2	345	1.39
3	427	0.90	3	153	2.09
4	240	1.20	4	86	2.78
5	154	1.50	5	55	3.48

Extended configuration

COLOUR TEMPERATURE
4000K
5000K

CONTROL
DALI, PHASE, 1-10V

Options on request

CONTROL
BLUETOOTH

Light effect and planning aid



Emphasis of objects or architectural elements. Wide-beam illumination of larger objects or spatial zones.

Quickinfo

GENERAL
Recessed
IP20

LED
CITIZEN
9W
2700K, 3000K, 4000K, 5000K
50000h@L80
CRI≥90
SDCM: 3

OPTICAL
Direct illumination
Beam angle 16°/36°
Optical accessories

ELECTRICAL
NON-DIM,
PHASE,
1-10V,
DALI,
BLUETOOTH

PHYSICAL
Aluminum



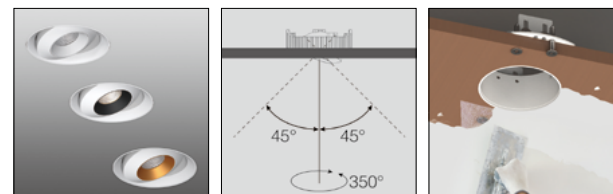
Description

The unique shape gives the designer inspiration to create. No matter on the top or the facade, you can freely play the design imagination to create a unique arrangement shape.

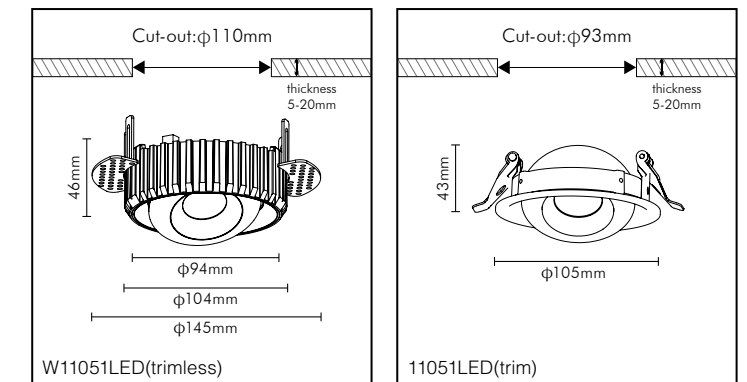
Applications

Residences, Shopping centers, Bars, Museums, Galleries, Exhibition halls, Hotels, Restaurants, Conference centers, etc.

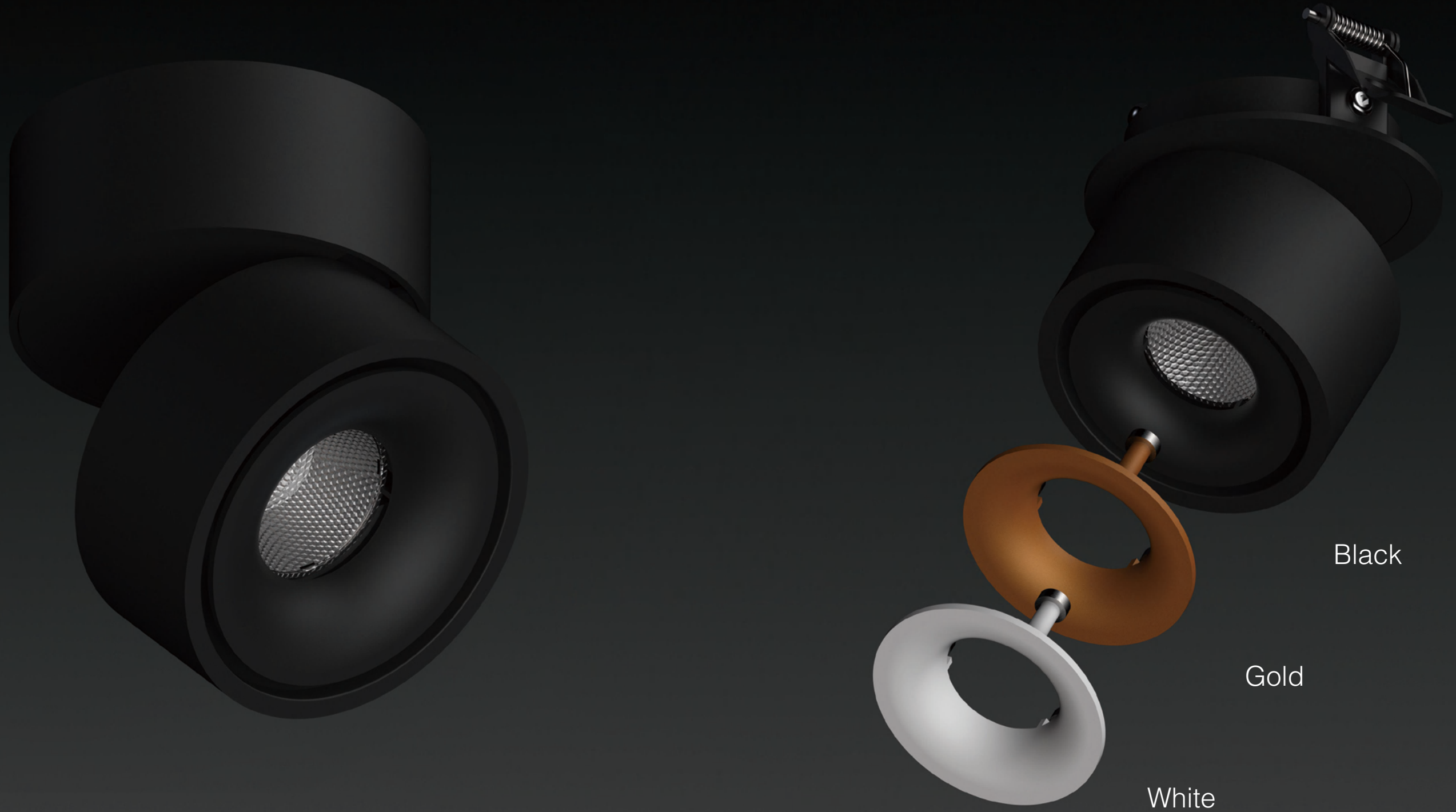
Features



Mounting dimension









φ75mm
7W
18°/40°



φ100mm
15W
18°/25°/36°/60°



- Recessed and surface mounted design.
- Adjustable at 350 ° in horizontal direction and 90 ° in vertical direction.
- Magnetic trim suction installation, easy to replace accessories.
- Deep anti-glare structure design.
- High quality optical design, pure and soft light.

TITAMIA

Recessed 2751LED
Surface mounted 8751LED



Quickinfo

GENERAL
Recessed / Surface mounted
IP20

LED
CITIZEN
7W
2700K, 3000K, 4000K, 5000K
50000h@L80
CRI≥90
SDCM: 3

OPTICAL
Direct illumination
Beam angle 18°/40°
Optical accessories

ELECTRICAL
NON-DIM,
PHASE,
1-10V,
DALI,
BLUETOOTH

PHYSICAL
Aluminum



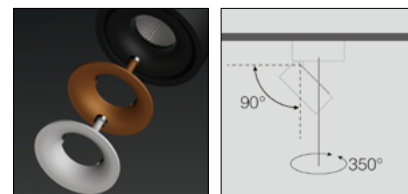
Description

Large adjustable angle design allows each beam of light can be accurately projected to distant objects.

Applications

Shopping centers, Museums, Galleries, Exhibition halls, Apartments, etc.

Features



Standard configuration

COLOUR TEMPERATURE
2700K
3000K

CONTROL
NON-DIM

OPTICAL
18°/40°

COLOUR(housing)
White

COLOUR(reflector)
Black, White, Gold

Extended configuration

COLOUR TEMPERATURE
4000K
5000K

CONTROL
DALI, 1-10V

COLOUR(housing)
Black

Options on request

CONTROL
BLUETOOTH

Parameters

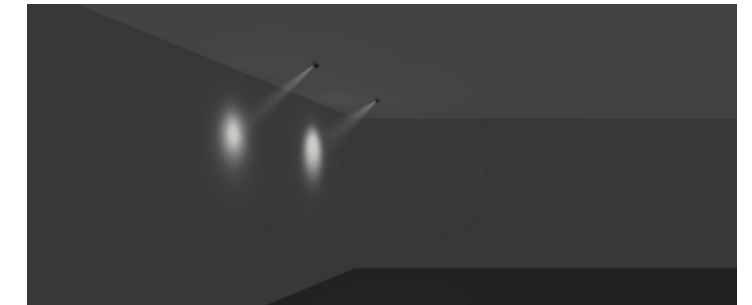
POWER	VF	CURRENT	CCT	LUMINOUS FLUX
7W	31V	200mA	3000K	455~478 lm

Test standards:
Citizen COB, CRI 90, tolerance range of electrical and optical parameters: ±10%.

Light Distribution

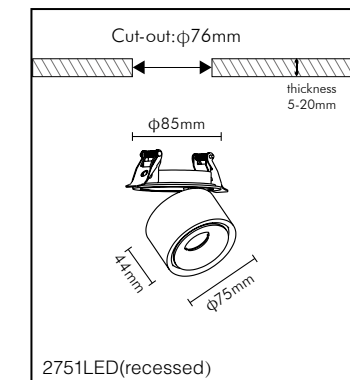
7W 18° 3000K Ra90			7W 40° 3000K Ra90		
H(m)	E(lx)	D(m)	H(m)	E(lx)	D(m)
1	3049	0.32	1	889	0.74
2	762	0.64	2	222	1.47
3	339	0.95	3	99	2.21
4	191	1.27	4	56	2.94
5	122	1.59	5	36	3.68

Light effect and planning aid

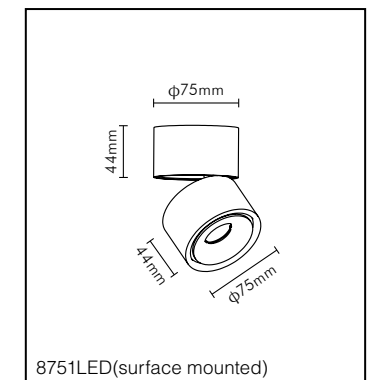


Emphasis of objects or architectural elements.

Technical drawing



2751LED(recessed)



8751LED(surface mounted)

TITAMIA

Recessed 21001LED
Surface mounted 81001LED



Quickinfo

GENERAL
Recessed / Surface mounted
IP20

LED
CITIZEN
15W
2700K, 3000K, 4000K, 5000K
50000h@L80
CRI≥90
SDCM: 3

OPTICAL
Direct illumination
Beam angle 18°/25°/36°/60°
Optical accessories

ELECTRICAL
NON-DIM,
PHASE,
1-10V,
DALI,
BLUETOOTH

PHYSICAL
Aluminum



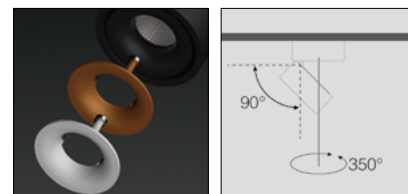
Description

High efficiency COB chip technology and large adjustable angle design can provide more luminous flux and brightness for higher and larger space, and also can project light to farther distance.

Applications

Shopping centers, Museums, Galleries, Exhibition halls, Apartments, etc.

Features



Standard configuration

COLOUR TEMPERATURE
2700K
3000K

CONTROL
NON-DIM

OPTICAL
18°/25°/36°/60°

COLOUR(housing)
White

COLOUR(reflector)
Black, White, Gold

Extended configuration

COLOUR TEMPERATURE
4000K
5000K

CONTROL
DALI, 1-10V

COLOUR(housing)
Black

Options on request

CONTROL
BLUETOOTH

Parameters

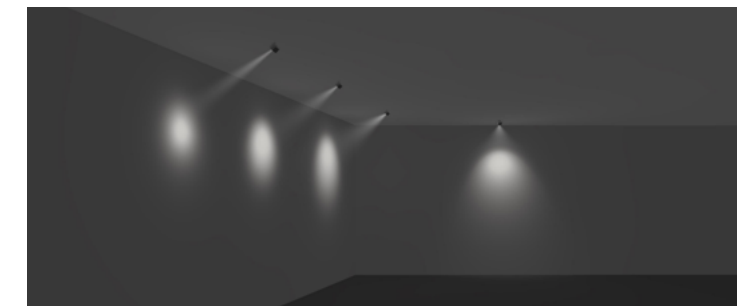
POWER 15W
VF 36V
CURRENT 350mA
CCT 3000K
LUMINOUS FLUX 909~926 lm

Test standards:
Citizen COB, CRI 90, tolerance range of electrical and optical parameters: ±10%.

Light Distribution

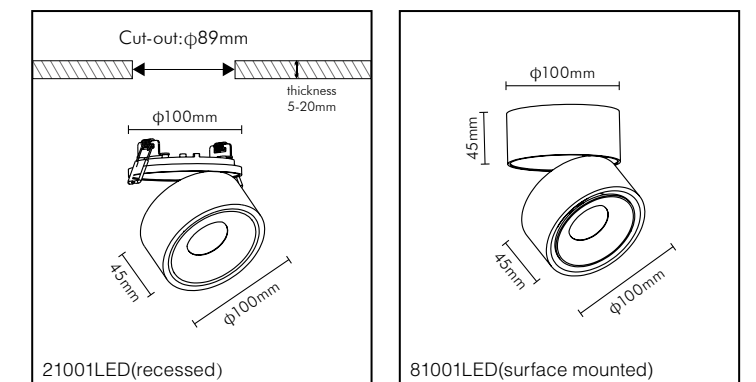
15W 18° 3000K Ra90			15W 25° 3000K Ra90			15W 36° 3000K Ra90			15W 60° 3000K Ra90		
H(m)	E(lx)	D(m)	H(m)	E(lx)	D(m)	H(m)	E(lx)	D(m)	H(m)	E(lx)	D(m)
1	3768	0.30	1	2440	0.45	1	1748	0.64	1	1187	1.06
2	942	0.60	2	610	0.89	2	437	1.28	2	297	2.12
3	419	0.91	3	271	1.34	3	194	1.92	3	132	3.18
4	236	1.21	4	153	1.78	4	109	2.56	4	74	4.23
5	151	1.51	5	98	2.23	5	70	3.20	5	48	5.29

Light effect and planning aid



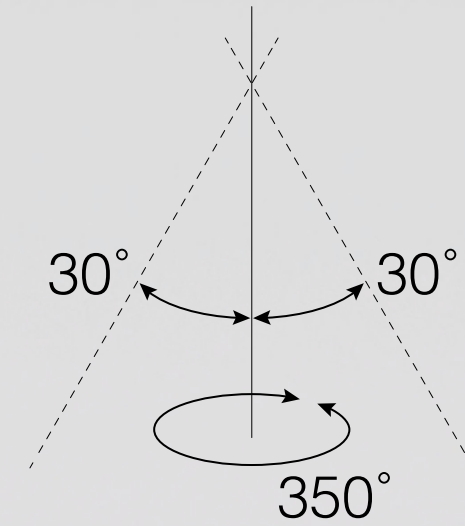
Emphasis of objects or architectural elements.

Technical drawing

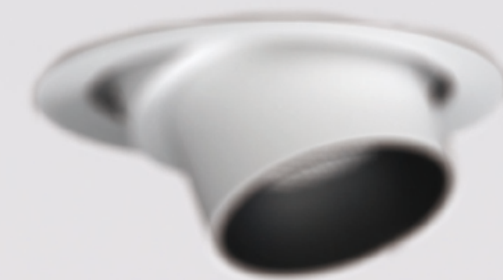




余麻有茶屋二處南園繼竹曼日氣望初放蘇陰點尺園一小欄
其中長縹緲更燦寒止際身團解骨予斷杏兩頭橫肉已
用自縹緲白止紙黏止零味日燦燦絕縹紙上零寒旭小點
晴一片林景零點豈非天焚圖畫乎凡吾畫林麻所師兩多獨
紙窗粉壁日從夕景中耳 庚次丙申年秋月胡墨書於品墨軒甫窗下



- Recessed design.
- Adopt snout deep anti-glare structure design.
- The adjustable angle is 30°, the luminaires can be adjusted precisely for optimum beam alignment. The light is thus emitted precisely to where it is required.
- High quality optical design, pure and soft light.



TITAMIA

1858LED



Standard configuration

COLOUR TEMPERATURE
2700K
3000K

CONTROL
NON-DIM

OPTICAL
18°/40°

COLOUR(housing)
White

COLOUR(reflector)
White, Black, Gold

Parameters

POWER	VF	CURRENT	CCT	LUMINOUS FLUX
7W	31V	200mA	3000K	503~528 lm

Test standards:
Citizen COB, CRI 90, tolerance range of electrical and optical parameters: ±10%.

Light Distribution

7W 18° 3000K Ra90			7W 40° 3000K Ra90		
H(m)	E lx	D(m)	H(m)	E lx	D(m)
1	3355	0.30	1	944	0.79
2	839	0.60	2	236	1.58
3	373	0.91	3	105	2.37
4	210	1.21	4	59	3.16
5	134	1.51	5	38	3.95

Extended configuration

COLOUR TEMPERATURE
4000K
5000K

CONTROL
DALI, PHASE, 1-10V

Options on request

CONTROL
BLUETOOTH

Light effect and planning aid



Emphasis of objects or architectural elements. Wide-beam illumination of larger objects or spatial zones.

Quickinfo

GENERAL
Recessed
IP20

LED
CITIZEN
7W
2700K, 3000K, 4000K, 5000K
50000h@L80
CRI≥90
SDCM: 3

OPTICAL
Direct illumination
Beam angle 18°/40°
Optical accessories

ELECTRICAL
NON-DIM,
PHASE,
1-10V,
DALI,
BLUETOOTH

PHYSICAL
Aluminum



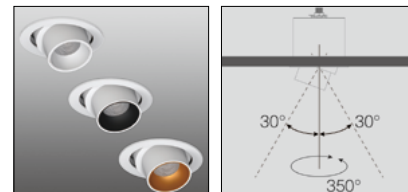
Description

The snout anti-glare design provides a comfortable experience for the space with perfect anti-glare effect.

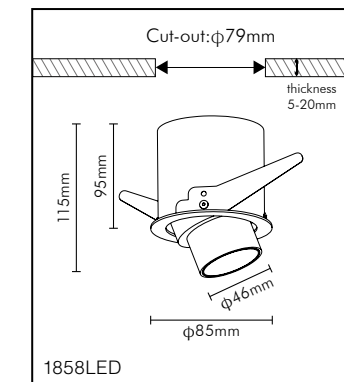
Applications

Hotels, Clubs, Galleries, Exhibition halls, etc.

Features

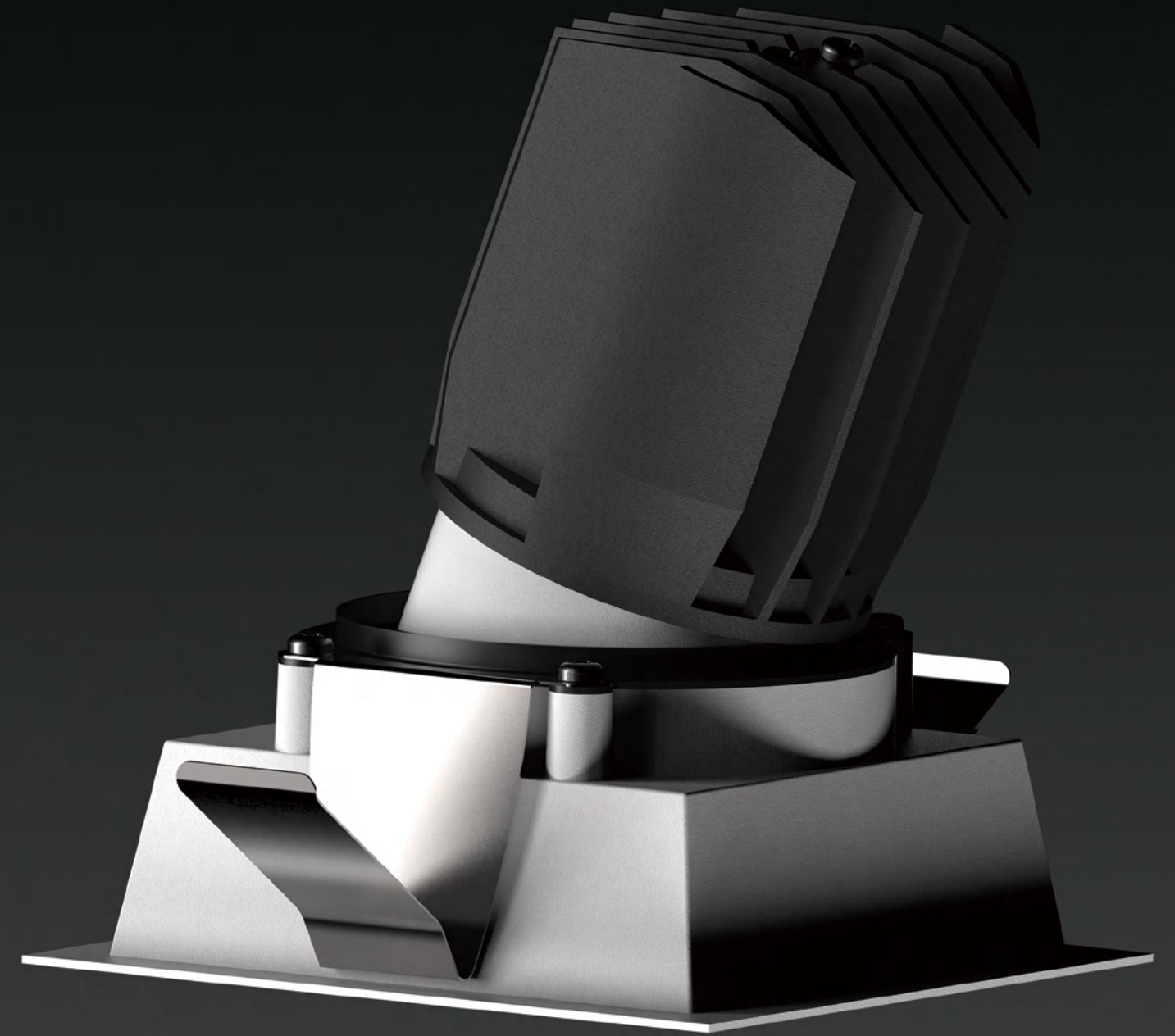
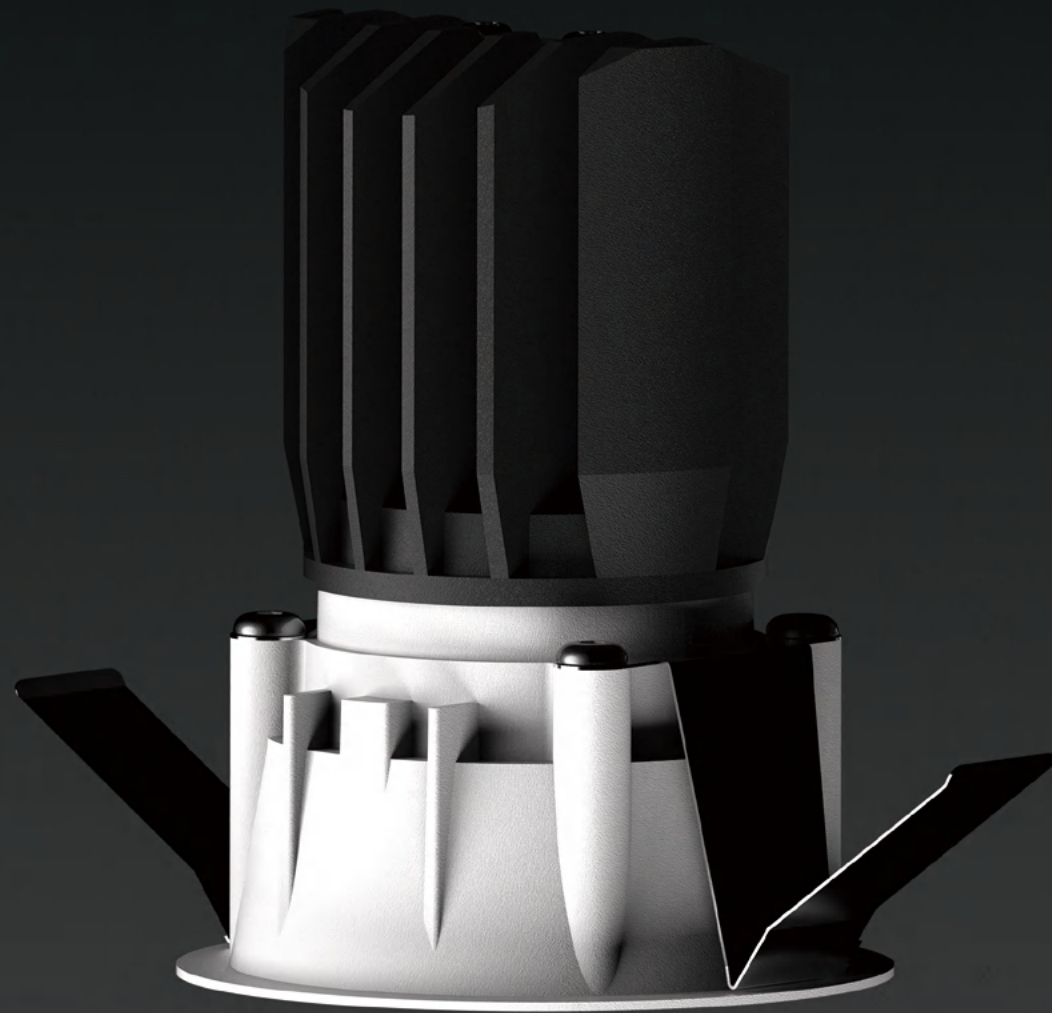


Mounting dimension





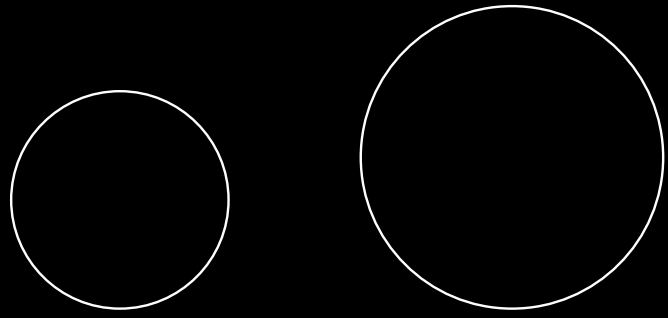
- Unique integrated die-casting aluminum heatsink.
- Unique reflector optical design, soft light transition.
- Deep anti-glare design, comfortable light environment.
- Adopt the most efficient COB chip technology, greatly improve the light efficiency.



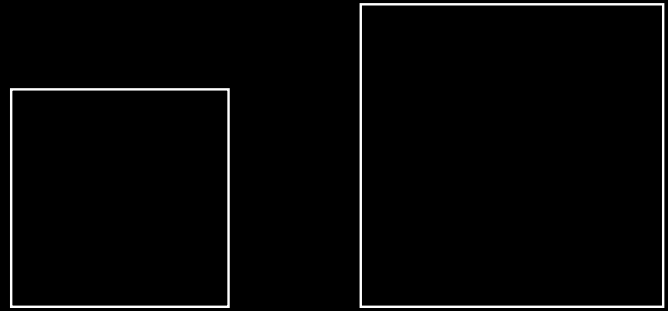
Type

Optical

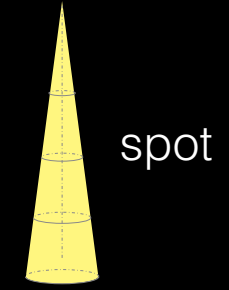
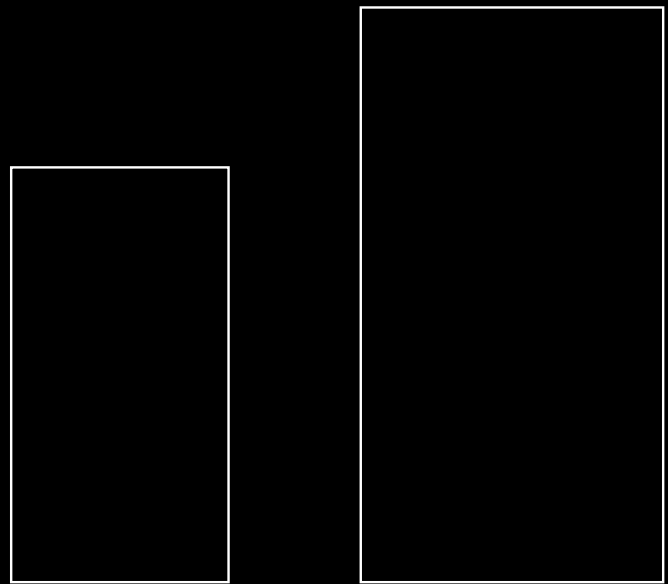
Round



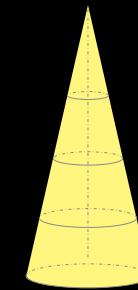
Square



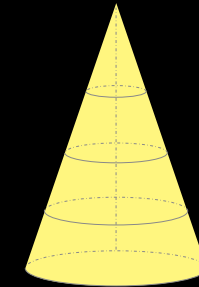
Rectangle



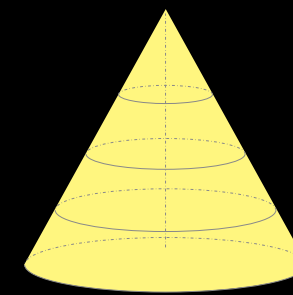
spot



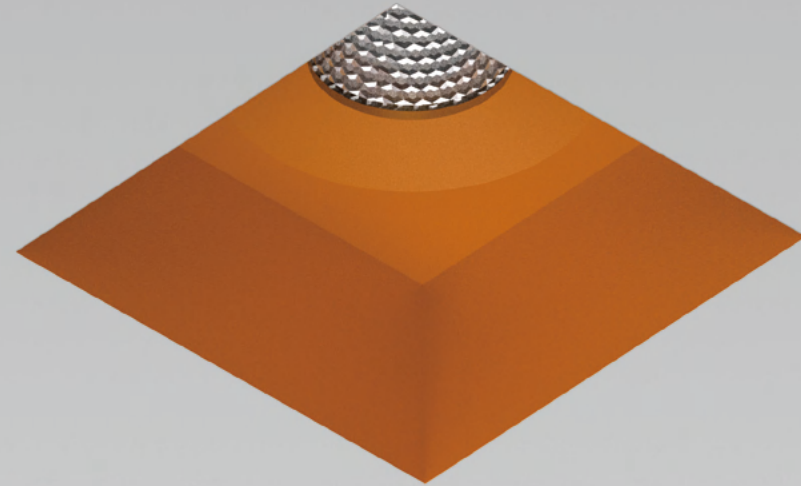
med.



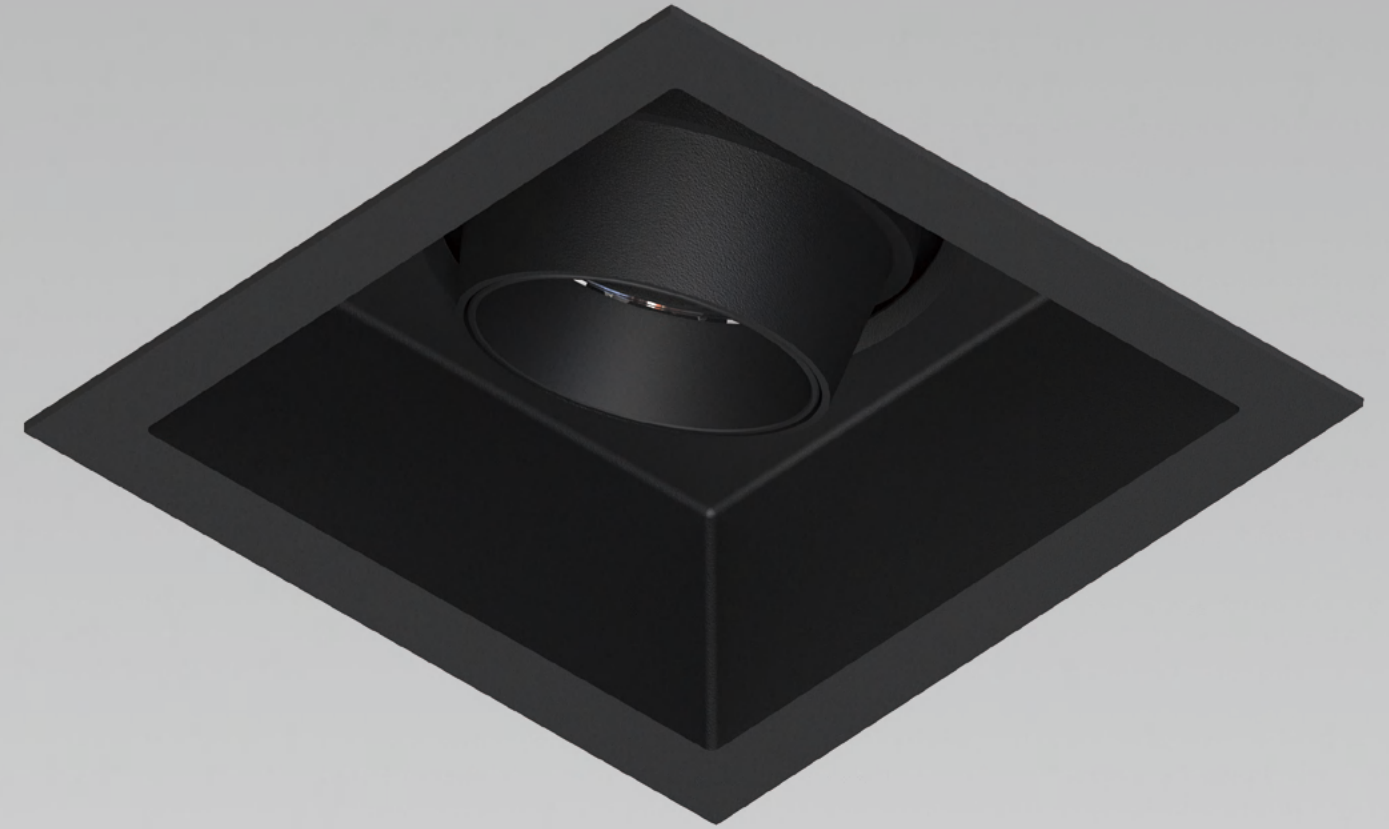
flood



wide flood



S
Trimless
Fixed
Gold



L
Trim
Adjustable
Black

TITAMIA

Trimless W1641LED
Trim 1641LED



Standard configuration

COLOUR TEMPERATURE
2700K
3000K

CONTROL
NON-DIM

OPTICAL
21°/35°

COLOUR(housing)
Black

COLOUR(reflector)
White, Black, Gold

Parameters

POWER	VF	CURRENT	CCT	LUMINOUS FLUX
8W	36V	200mA	3000K	610~623 lm

Test standards:
Citizen COB, CRI 90, tolerance range of electrical and optical parameters: ±10%.

Light Distribution

8W 21° 3000K Ra90			8W 35° 3000K Ra90		
H(m)	E lx	D(m)	H(m)	E lx	D(m)
1	2194	0.39	1	1546	0.63
2	549	0.79	2	387	1.27
3	244	1.18	3	172	1.90
4	137	1.57	4	97	2.53
5	88	1.96	5	62	3.17

Light effect and planning aid



Emphasis of objects or architectural elements. Wide-beam illumination of larger objects or spatial zones.

Quickinfo

GENERAL
Recessed
IP20

LED
CITIZEN
8W
2700K, 3000K, 4000K, 5000K
50000h@L80
CRI≥90
SDCM: 3

OPTICAL
Direct illumination
Beam angle 21°/35°
Optical accessories

ELECTRICAL
NON-DIM,
PHASE,
1-10V,
DALI,
BLUETOOTH

PHYSICAL
Aluminum



Description

Small size, high power, unique square design make lighting and the ceiling have more outstanding coordination, which can help you make more excellent designs.

Applications

Hotels, Clubs, Bars, Restaurants,
Conference centers, Residences,
Shopping malls, etc.

Features



Extended configuration

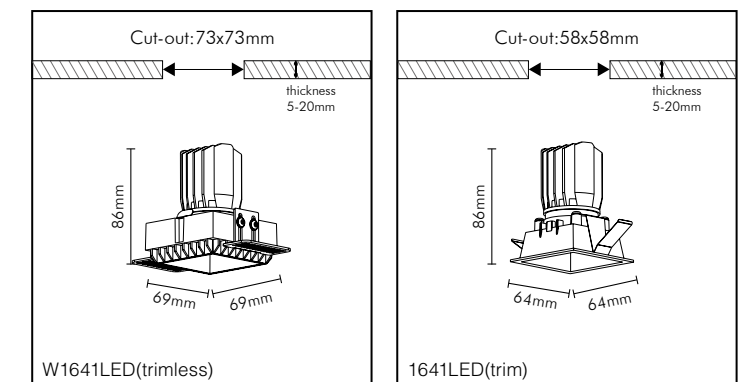
COLOUR TEMPERATURE
4000K
5000K

CONTROL
DALI, PHASE, 1-10V

Options on request

CONTROL
BLUETOOTH

Mounting dimension



TITAMIA

Trimless W1642LED
Trim 1642LED



Quickinfo

GENERAL
Recessed
IP20

LED
CITIZEN
8W
2700K, 3000K, 4000K, 5000K
50000h@L80
CRI≥90
SDCM: 3

OPTICAL
Direct illumination
Beam angle 21°/35°
Optical accessories

ELECTRICAL
NON-DIM,
PHASE,
1-10V,
DALI,
BLUETOOTH

PHYSICAL
Aluminum



Description

The unique square design of the recessed adjustable spotlight makes the lamp better match with the ceiling, and can help you accurately project the light onto the object, highlighting a single area or object.

Applications

Hotels, Clubs, Bars, Restaurants, Conference centers, Residences, Shopping malls, etc.

Features



Standard configuration

COLOUR TEMPERATURE
2700K
3000K

CONTROL
NON-DIM

OPTICAL
21°/35°

COLOUR(housing)
Black+White

COLOUR(reflector)
White, Black, Gold

Extended configuration

COLOUR TEMPERATURE
4000K
5000K

CONTROL
DALI, PHASE, 1-10V

Options on request

CONTROL
BLUETOOTH

Parameters

POWER	VF	CURRENT	CCT	LUMINOUS FLUX
8W	36V	200mA	3000K	514~520 lm

Test standards:
Citizen COB, CRI 90, tolerance range of electrical and optical parameters: ±10%.

Light Distribution

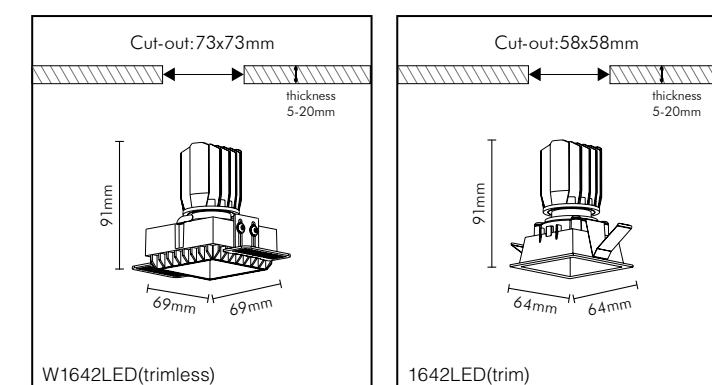
8W 21° 3000K Ra90			8W 35° 3000K Ra90		
H(m)	E lx	D(m)	H(m)	E lx	D(m)
1	2434	0.36	1	1513	0.62
2	609	0.72	2	378	1.24
3	270	1.08	3	168	1.86
4	152	1.43	4	95	2.48
5	97	1.79	5	61	3.10

Light effect and planning aid



Emphasis of objects or architectural elements. Wide-beam illumination of larger objects or spatial zones.

Mounting dimension



TITAMIA

Trimless W1891LED
Trim 1891LED



Standard configuration

COLOUR TEMPERATURE
2700K
3000K

CONTROL
NON-DIM

OPTICAL
20°/30°/52°

COLOUR(housing)
Black

COLOUR(reflector)
White, Black, Gold

Parameters

POWER	VF	CURRENT	CCT	LUMINOUS FLUX
12W	31V	350mA	3000K	872~929 lm

Test standards:
Citizen COB, CRI 90, tolerance range of electrical and optical parameters: ±10%.

Light Distribution

12W 20° 3000K Ra90			12W 30° 3000K Ra90			12W 52° 3000K Ra90		
H(m)	E(lx)	D(m)	H(m)	E(lx)	D(m)	H(m)	E(lx)	D(m)
1	4467	0.36	1	3036	0.51	1	1028	1.00
2	1117	0.71	2	759	1.02	2	257	2.00
3	496	1.07	3	337	1.54	3	114	2.99
4	279	1.43	4	190	2.05	4	64	3.99
5	179	1.78	5	121	2.56	5	41	4.99

Extended configuration

COLOUR TEMPERATURE
4000K
5000K

CONTROL
DALI, PHASE, 1-10V

Options on request

CONTROL
BLUETOOTH

Light effect and planning aid



Emphasis of objects or architectural elements. Wide-beam illumination of larger objects or spatial zones.

Quickinfo

GENERAL
Recessed
IP20

LED
CITIZEN
12W
2700K, 3000K, 4000K, 5000K
50000h@L80
CRI≥90
SDCM: 3

OPTICAL
Direct illumination
Beam angle 20°/30°/52°
Optical accessories

ELECTRICAL
NON-DIM,
PHASE,
1-10V,
DALI,
BLUETOOTH

PHYSICAL
Aluminum



Description

High power design provides more luminous flux. The unique square design makes lighting and the ceiling have more outstanding coordination, which can help you make more excellent designs.

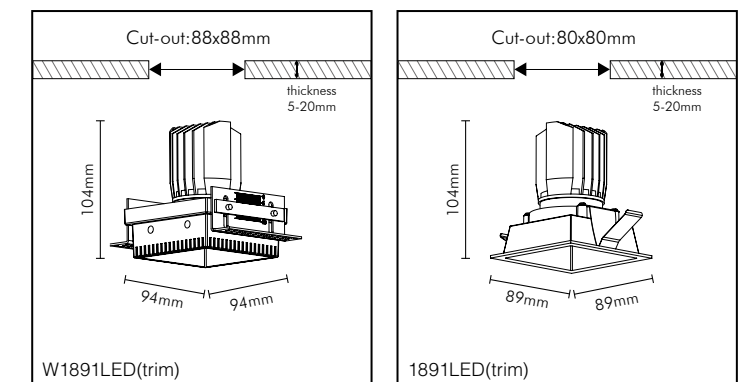
Applications

Hotels, Clubs, Bars, Restaurants,
Conference centers, Residences,
Shopping malls, etc.

Features

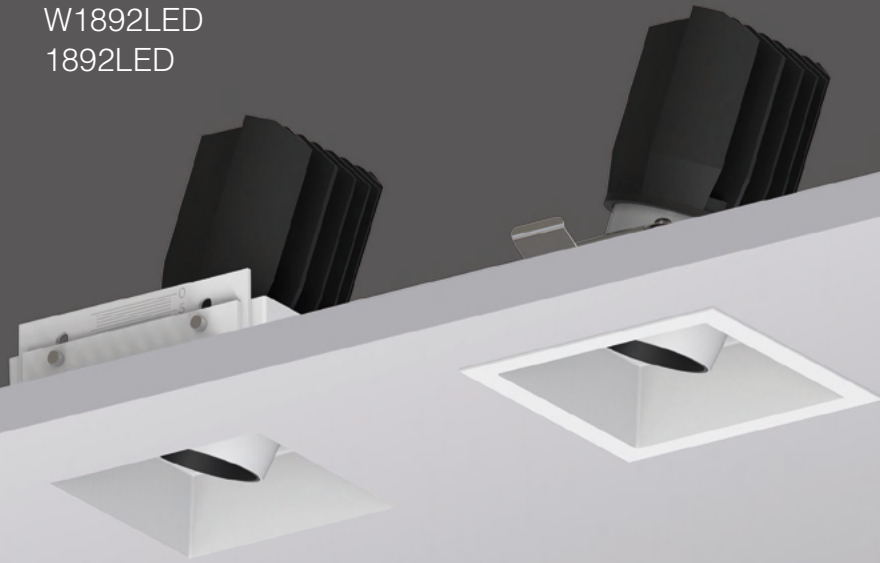


Mounting dimension



TITAMIA

Trimless W1892LED
Trim 1892LED



Standard configuration

COLOUR TEMPERATURE
2700K
3000K

CONTROL
NON-DIM

OPTICAL
15°/25°/33°

COLOUR(housing)
Black+White

COLOUR(reflector)
White, Black, Gold

Parameters

POWER	VF	CURRENT	CCT	LUMINOUS FLUX
12W	31V	350mA	3000K	782~917 lm

Test standards:
Citizen COB, CRI 90, tolerance range of electrical and optical parameters: ±10%.

Light Distribution

12W 15° 3000K Ra90			12W 25° 3000K Ra90			12W 33° 3000K Ra90		
H(m)	E(lx)	D(m)	H(m)	E(lx)	D(m)	H(m)	E(lx)	D(m)
1	4743	0.30	1	3845	0.45	1	2617	0.59
2	1186	0.60	2	961	0.90	2	654	1.18
3	527	0.90	3	427	1.34	3	291	1.78
4	297	1.20	4	240	1.79	4	164	2.37
5	190	1.50	5	154	2.24	5	105	2.96

Extended configuration

COLOUR TEMPERATURE
4000K
5000K

CONTROL
DALI, PHASE, 1-10V

Options on request

CONTROL
BLUETOOTH

Light effect and planning aid



Emphasis of objects or architectural elements. Wide-beam illumination of larger objects or spatial zones.

Quickinfo

GENERAL
Recessed
IP20

LED
CITIZEN
12W
2700K, 3000K, 4000K, 5000K
50000h@L80
CRI≥90
SDCM: 3

OPTICAL
Direct illumination
Beam angle 15°/25°/33°
Optical accessories

ELECTRICAL
NON-DIM,
PHASE,
1-10V,
DALI,
BLUETOOTH

PHYSICAL
Aluminum



Description

The high power square adjustable design can help you accurately project light onto object, highlighting individual area or object.

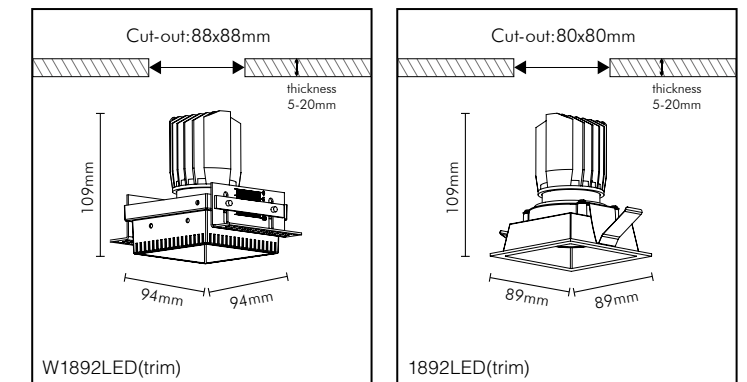
Applications

Hotels, Clubs, Bars, Restaurants,
Conference centers, Residences,
Shopping malls, etc.

Features



Mounting dimension









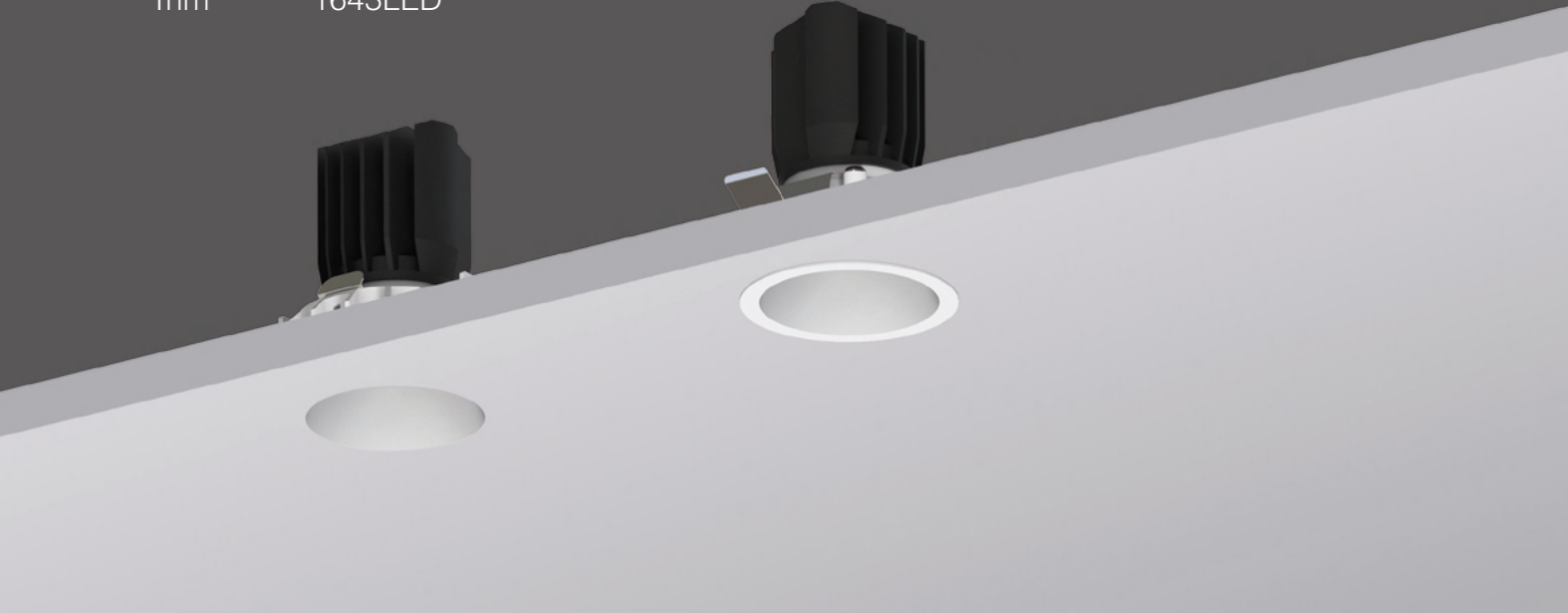
S
Fixed
Black



L
Fixed
White

TITAMIA

Trimless W1643LED
Trim 1643LED



Quickinfo

GENERAL
Recessed
IP20

LED
CITIZEN
8W
2700K, 3000K, 4000K, 5000K
50000h@L80
CRI≥90
SDCM: 3

OPTICAL
Direct illumination
Beam angle 21°/35°
Optical accessories

ELECTRICAL
NON-DIM,
PHASE,
1-10V,
DALI,
BLUETOOTH

PHYSICAL
Aluminum



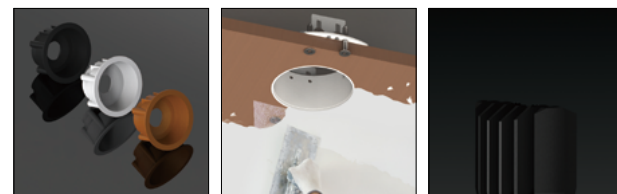
Description

Small size, high power, fixed direct lighting design, save the trouble of adjusting lamps.

Applications

Hotels, Clubs, Bars, Restaurants, Conference centers, Residences, Shopping malls, etc.

Features



Standard configuration

COLOUR TEMPERATURE
2700K
3000K

CONTROL
NON-DIM

OPTICAL
21°/35°

COLOUR(housing)
Black

COLOUR(reflector)
White, Black, Gold

Extended configuration

COLOUR TEMPERATURE
4000K
5000K

CONTROL
DALI, PHASE, 1-10V

Options on request

CONTROL
BLUETOOTH

Parameters

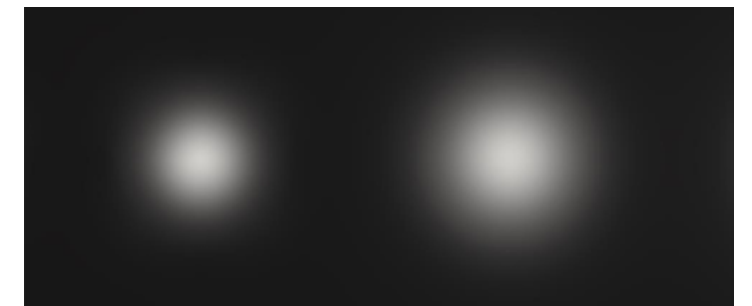
POWER	VF	CURRENT	CCT	LUMINOUS FLUX
8W	36V	200mA	3000K	613~626 lm

Test standards:
Citizen COB, CRI 90, tolerance range of electrical and optical parameters: ±10%.

Light Distribution

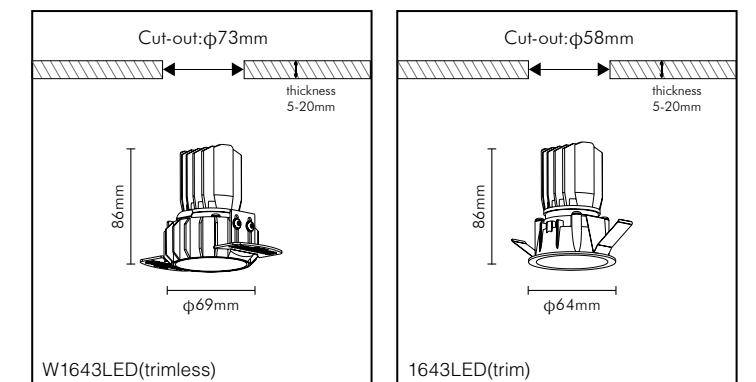
8W 21° 3000K Ra90			8W 35° 3000K Ra90		
H(m)	E lx	D(m)	H(m)	E lx	D(m)
1	2267	0.38	1	1500	0.66
2	567	0.77	2	375	1.31
3	252	1.15	3	167	1.97
4	142	1.53	4	94	2.62
5	91	1.92	5	60	3.28

Light effect and planning aid



Emphasis of objects or architectural elements. Wide-beam illumination of larger objects or spatial zones.

Mounting dimension



TITAMIA

Trimless W1644LED
Trim 1644LED



Standard configuration

COLOUR TEMPERATURE
2700K
3000K

CONTROL
NON-DIM

OPTICAL
21°/35°

COLOUR(housing)
Black+White

COLOUR(reflector)
White, Black, Gold

Parameters

POWER	VF	CURRENT	CCT	LUMINOUS FLUX
8W	36V	200mA	3000K	518~526 lm

Test standards:
Citizen COB, CRI 90, tolerance range of electrical and optical parameters: ±10%.

Light Distribution

8W 21° 3000K Ra90			8W 35° 3000K Ra90		
H(m)	E lx	D(m)	H(m)	E lx	D(m)
1	2349	0.37	1	1496	0.62
2	587	0.74	2	374	1.23
3	261	1.10	3	166	1.85
4	147	1.47	4	94	2.47
5	94	1.84	5	60	3.08

Extended configuration

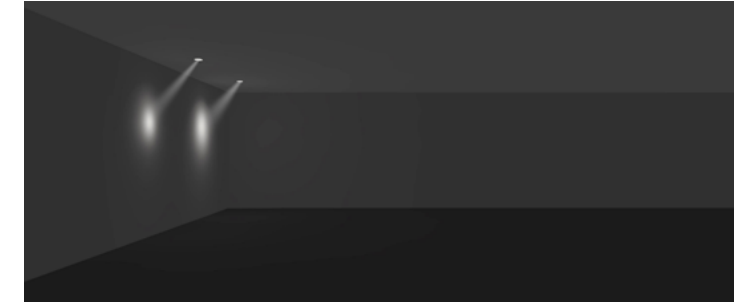
COLOUR TEMPERATURE
4000K
5000K

CONTROL
DALI, PHASE, 1-10V

Options on request

CONTROL
BLUETOOTH

Light effect and planning aid



Emphasis of objects or architectural elements. Wide-beam illumination of larger objects or spatial zones.

Quickinfo

GENERAL
Recessed
IP20

LED
CITIZEN
8W
2700K, 3000K, 4000K, 5000K
50000h@L80
CRI≥90
SDCM: 3

OPTICAL
Direct illumination
Beam angle 21°/35°
Optical accessories

ELECTRICAL
NON-DIM,
PHASE,
1-10V,
DALI,
BLUETOOTH

PHYSICAL
Aluminum



Description

Small size and high power adjustable design can help you accurately project light onto objects, highlighting a single area or object.

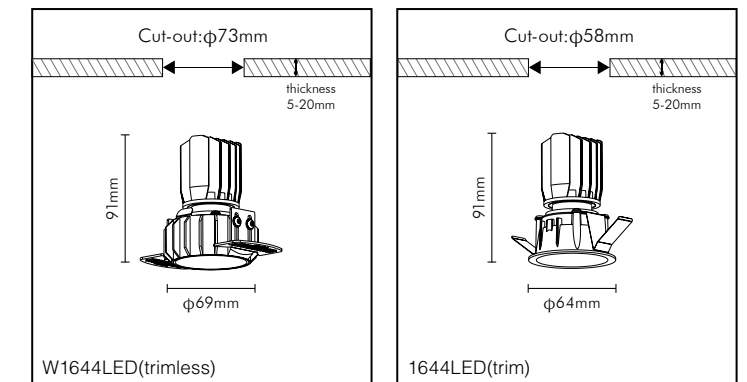
Applications

Hotels, Clubs, Bars, Restaurants,
Conference centers, Residences,
Shopping malls, etc.

Features



Mounting dimension



TITAMIA

Trim 1893LED



Standard configuration

COLOUR TEMPERATURE
2700K
3000K

CONTROL
NON-DIM

OPTICAL
20°/30°/52°

COLOUR(housing)
Black

COLOUR(reflector)
White, Black, Gold

Parameters

POWER	VF	CURRENT	CCT	LUMINOUS FLUX
12W	31V	350mA	3000K	872~929 lm

Test standards:
Citizen COB, CRI 90, tolerance range of electrical and optical parameters: ±10%.

Light Distribution

12W 20° 3000K Ra90			12W 30° 3000K Ra90			12W 52° 3000K Ra90		
H(m)	E(lx)	D(m)	H(m)	E(lx)	D(m)	H(m)	E(lx)	D(m)
1	4467	0.36	1	3036	0.51	1	1028	1.00
2	1117	0.71	2	759	1.02	2	257	2.00
3	496	1.07	3	337	1.54	3	114	2.99
4	279	1.43	4	190	2.05	4	64	3.99
5	179	1.78	5	121	2.56	5	41	4.99

Extended configuration

COLOUR TEMPERATURE
4000K
5000K

CONTROL
DALI, PHASE, 1-10V

Options on request

CONTROL
BLUETOOTH

Light effect and planning aid



Emphasis of objects or architectural elements. Wide-beam illumination of larger objects or spatial zones.

Quickinfo

GENERAL
Recessed
IP20

LED
CITIZEN
12W
2700K, 3000K, 4000K, 5000K
50000h@L80
CRI≥90
SDCM: 3

OPTICAL
Direct illumination
Beam angle 20°/30°/52°
Optical accessories

ELECTRICAL
NON-DIM,
PHASE,
1-10V,
DALI,
BLUETOOTH

PHYSICAL
Aluminum



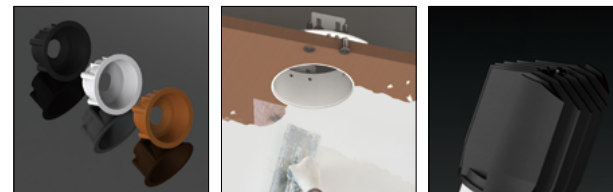
Description

The high power round fixed design saves the trouble of adjusting lamps.

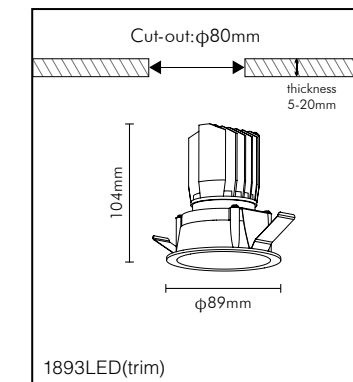
Applications

Hotels, Clubs, Bars, Restaurants,
Conference centers, Residences,
Shopping malls, etc.

Features

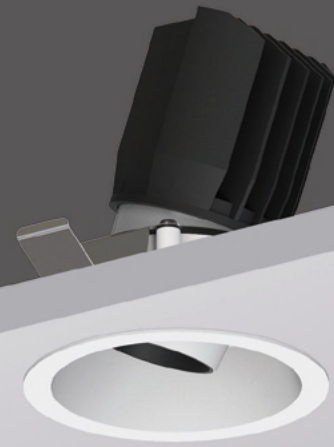


Mounting dimension



TITAMIA

Trim 1894LED



Standard configuration

COLOUR TEMPERATURE
2700K
3000K

CONTROL
NON-DIM

OPTICAL
15°/25°/33°

COLOUR(housing)
Black+White

COLOUR(reflector)
White, Black, Gold

Parameters

POWER	VF	CURRENT	CCT	LUMINOUS FLUX
12W	31V	350mA	3000K	782~917 lm

Test standards:
Citizen COB, CRI 90, tolerance range of electrical and optical parameters: ±10%.

Light Distribution

12W 15° 3000K Ra90			12W 25° 3000K Ra90			12W 33° 3000K Ra90		
H(m)	E(lx)	D(m)	H(m)	E(lx)	D(m)	H(m)	E(lx)	D(m)
1	4743	0.30	1	3845	0.45	1	2617	0.59
2	1186	0.60	2	961	0.90	2	654	1.18
3	527	0.90	3	427	1.34	3	291	1.78
4	297	1.20	4	240	1.79	4	164	2.37
5	190	1.50	5	154	2.24	5	105	2.96

Extended configuration

COLOUR TEMPERATURE
4000K
5000K

CONTROL
DALI, PHASE, 1-10V

Options on request

CONTROL
BLUETOOTH

Light effect and planning aid



Emphasis of objects or architectural elements. Wide-beam illumination of larger objects or spatial zones.

Quickinfo

GENERAL
Recessed
IP20

LED
CITIZEN
12W
2700K, 3000K, 4000K, 5000K
50000h@L80
CRI≥90
SDCM: 3

OPTICAL
Direct illumination
Beam angle 15°/25°/33°
Optical accessories

ELECTRICAL
NON-DIM,
PHASE,
1-10V,
DALI,
BLUETOOTH

PHYSICAL
Aluminum



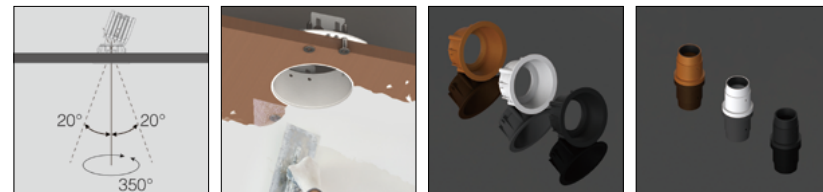
Description

The high power round fixed design can help you accurately project light onto object, highlighting individual area or object.

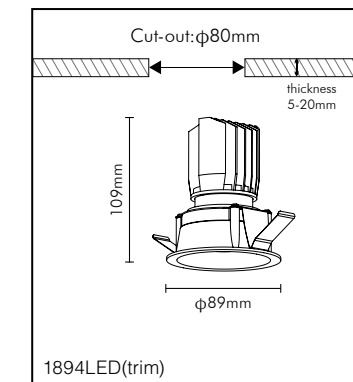
Applications

Hotels, Clubs, Bars, Restaurants,
Conference centers, Residences,
Shopping malls, etc.

Features



Mounting dimension



1894LED(trim)







S
Trim
Fixed
White
Double heads



L
Trimless
Adjustable
White + Black
Double heads

TITAMIA

Trimless W11221LED
Trim 11221LED



Quickinfo

GENERAL
Recessed
IP20

LED
CITIZEN
2x8W
2700K, 3000K, 4000K, 5000K
50000h@L80
CRI≥90
SDCM: 3

OPTICAL
Direct illumination
Beam angle 21°/35°
Optical accessories

ELECTRICAL
NON-DIM,
PHASE,
1-10V,
DALI,
BLUETOOTH

PHYSICAL
Aluminum



Description

The two in one direct lighting design and unique square design make lighting and the ceiling have more outstanding coordination, which can help you make more excellent designs.

Applications

Hotels, Clubs, Bars, Restaurants, Conference centers, Residences, Shopping malls, etc.

Features



Standard configuration

COLOUR TEMPERATURE
2700K
3000K

CONTROL
NON-DIM

OPTICAL
21°/35°

COLOUR(housing)
Black

COLOUR(reflector)
White, Black, Gold

Extended configuration

COLOUR TEMPERATURE
4000K
5000K

CONTROL
DALI, PHASE, 1-10V

Options on request

CONTROL
BLUETOOTH

Parameters

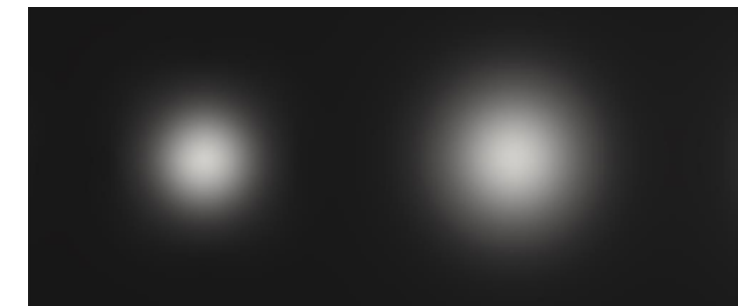
POWER	VF	CURRENT	CCT	LUMINOUS FLUX
2x8W	36V	200mA	3000K	1220~1246 lm

Test standards:
Citizen COB, CRI 90, tolerance range of electrical and optical parameters: ±10%.

Light Distribution

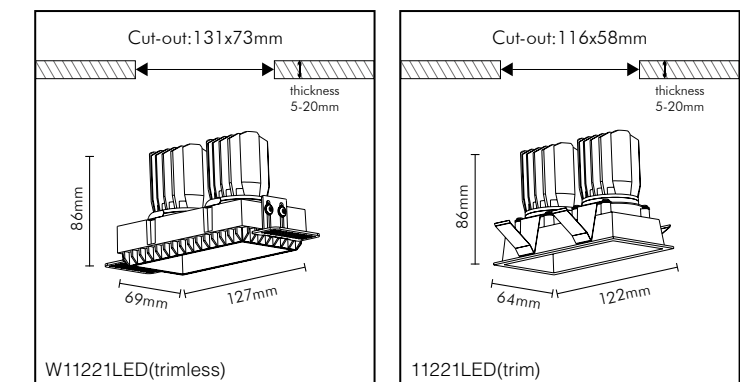
8W 21° 3000K Ra90			8W 35° 3000K Ra90		
H(m)	E lx	D(m)	H(m)	E lx	D(m)
1	2194	0.39	1	1546	0.63
2	549	0.79	2	387	1.27
3	244	1.18	3	172	1.90
4	137	1.57	4	97	2.53
5	88	1.96	5	62	3.17

Light effect and planning aid



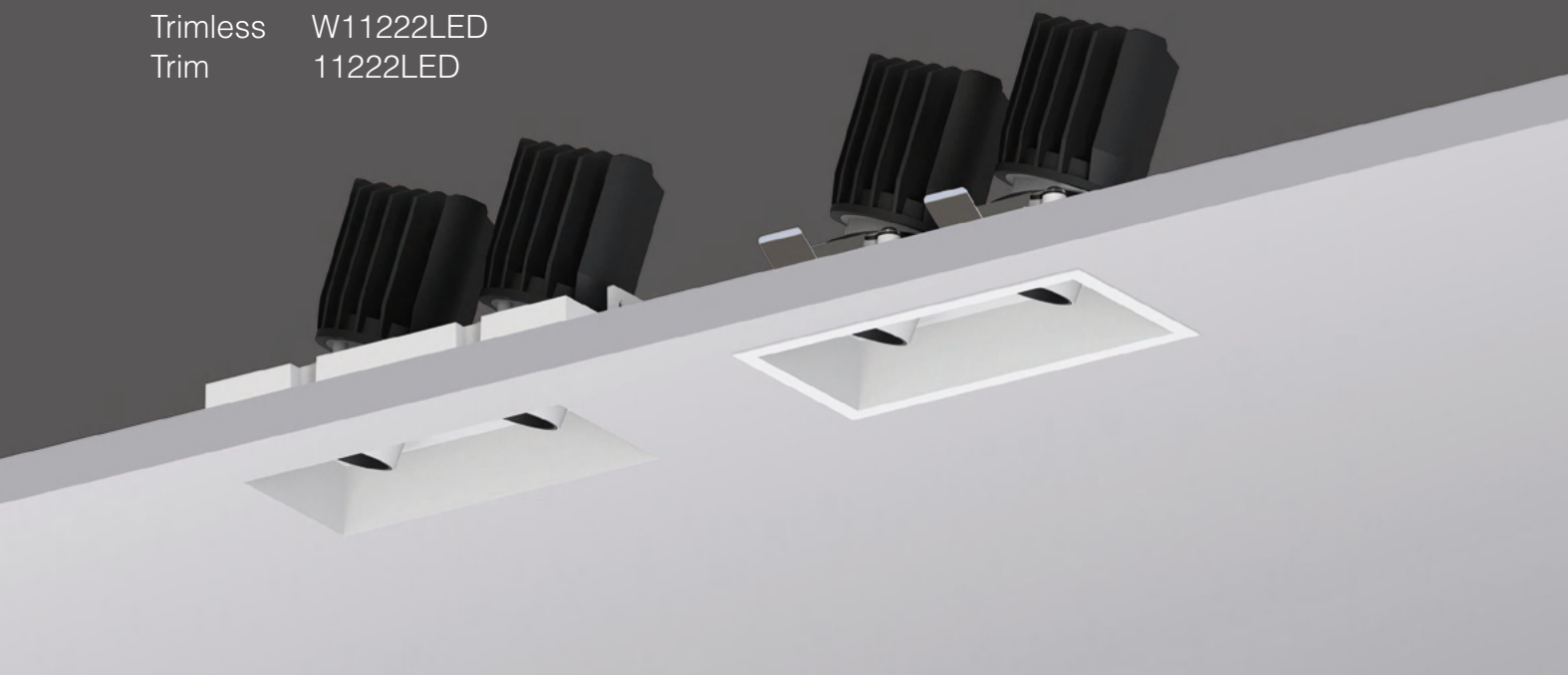
Emphasis of objects or architectural elements. Wide-beam illumination of larger objects or spatial zones.

Mounting dimension



TITAMIA

Trimless W11222LED
Trim 11222LED



Quickinfo

GENERAL
Recessed
IP20

LED
CITIZEN
2x8W
2700K, 3000K, 4000K, 5000K
50000h@L80
CRI≥90
SDCM: 3

OPTICAL
Direct illumination
Beam angle 21°/35°
Optical accessories

ELECTRICAL
NON-DIM,
PHASE,
1-10V,
DALI,
BLUETOOTH

PHYSICAL
Aluminum



Description

The two in one adjustable design and unique square design make the lamps and ceiling have better coordination, and can help you accurately project the light to different objects, highlighting a single area or object.

Applications

Hotels, Clubs, Bars, Restaurants, Conference centers, Residences, Shopping malls, etc.

Features



Standard configuration

COLOUR TEMPERATURE
2700K
3000K

CONTROL
NON-DIM

OPTICAL
21°/35°

COLOUR(housing)
Black+White

COLOUR(reflector)
White, Black, Gold

Extended configuration

COLOUR TEMPERATURE
4000K
5000K

CONTROL
DALI, PHASE, 1-10V

Options on request

CONTROL
BLUETOOTH

Parameters

POWER	VF	CURRENT	CCT	LUMINOUS FLUX
2x8W	36V	200mA	3000K	1028~1040 lm

Test standards:
Citizen COB, CRI 90, tolerance range of electrical and optical parameters: ±10%.

Light Distribution

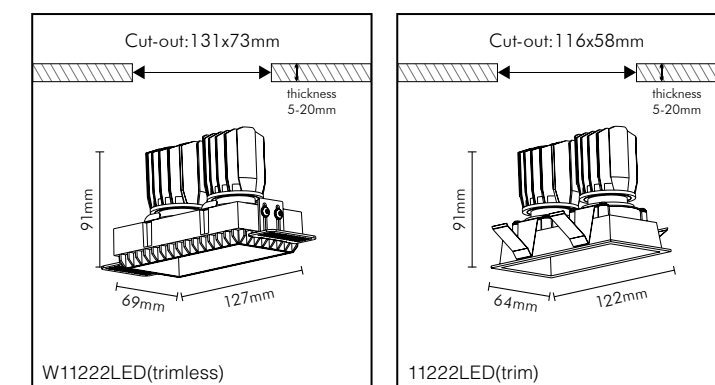
8W 21° 3000K Ra90			8W 35° 3000K Ra90		
H(m)	E lx	D(m)	H(m)	E lx	D(m)
1	2434	0.36	1	1513	0.62
2	609	0.72	2	378	1.24
3	270	1.08	3	168	1.86
4	152	1.43	4	95	2.48
5	97	1.79	5	61	3.10

Light effect and planning aid



Emphasis of objects or architectural elements. Wide-beam illumination of larger objects or spatial zones.

Mounting dimension



TITAMIA

Trimless W11691LED
Trim 11691LED



Standard configuration

COLOUR TEMPERATURE
2700K
3000K

CONTROL
NON-DIM

OPTICAL
20°/30°/52°

COLOUR(housing)
Black

COLOUR(reflector)
White, Black, Gold

Parameters

POWER	VF	CURRENT	CCT	LUMINOUS FLUX
2x12W	31V	350mA	3000K	1744~1858 lm

Test standards:
Citizen COB, CRI 90, tolerance range of electrical and optical parameters: ±10%.

Light Distribution

12W 20° 3000K Ra90			12W 30° 3000K Ra90			12W 52° 3000K Ra90		
H(m)	E(lx)	D(m)	H(m)	E(lx)	D(m)	H(m)	E(lx)	D(m)
1	4467	0.36	1	3036	0.51	1	1028	1.00
2	1117	0.71	2	759	1.02	2	257	2.00
3	496	1.07	3	337	1.54	3	114	2.99
4	279	1.43	4	190	2.05	4	64	3.99
5	179	1.78	5	121	2.56	5	41	4.99

Extended configuration

COLOUR TEMPERATURE
4000K
5000K

CONTROL
DALI, PHASE, 1-10V

Options on request

CONTROL
BLUETOOTH

Light effect and planning aid



Emphasis of objects or architectural elements. Wide-beam illumination of larger objects or spatial zones.

Quickinfo

GENERAL
Recessed
IP20

LED
CITIZEN
2x12W
2700K, 3000K, 4000K, 5000K
50000h@L80
CRI≥90
SDCM: 3

OPTICAL
Direct illumination
Beam angle 20°/30°/52°
Optical accessories

ELECTRICAL
NON-DIM,
PHASE,
1-10V,
DALI,
BLUETOOTH

PHYSICAL
Aluminum



Description

The two in one direct lighting design and unique square design make lighting and the ceiling have more outstanding coordination, which can help you make more excellent designs.

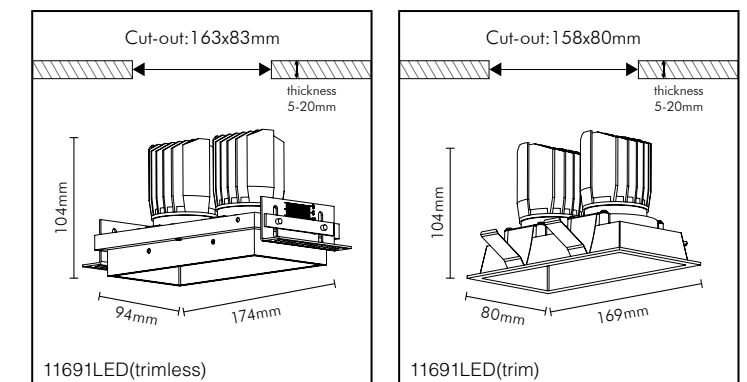
Applications

Hotels, Clubs, Bars, Restaurants,
Conference centers, Residences,
Shopping malls, etc.

Features



Mounting dimension



TITAMIA

Trimless W11692LED
Trim 11692LED



Standard configuration

COLOUR TEMPERATURE
2700K
3000K

CONTROL
NON-DIM

OPTICAL
15°/25°/33°

COLOUR(housing)
Black+White

COLOUR(reflector)
White, Black, Gold

Parameters

POWER	VF	CURRENT	CCT	LUMINOUS FLUX
2x12W	31V	350mA	3000K	1564~1834 lm

Test standards:
Citizen COB, CRI 90, tolerance range of electrical and optical parameters: ±10%.

Light Distribution

12W 15° 3000K Ra90			12W 25° 3000K Ra90			12W 33° 3000K Ra90		
H(m)	E(lx)	D(m)	H(m)	E(lx)	D(m)	H(m)	E(lx)	D(m)
1	4743	0.30	1	3845	0.45	1	2617	0.59
2	1186	0.60	2	961	0.90	2	654	1.18
3	527	0.90	3	427	1.34	3	291	1.78
4	297	1.20	4	240	1.79	4	164	2.37
5	190	1.50	5	154	2.24	5	105	2.96

Extended configuration

COLOUR TEMPERATURE
4000K
5000K

CONTROL
DALI, PHASE, 1-10V

Options on request

CONTROL
BLUETOOTH

Light effect and planning aid



Emphasis of objects or architectural elements. Wide-beam illumination of larger objects or spatial zones.

Quickinfo

GENERAL
Recessed
IP20

LED
CITIZEN
2x12W
2700K, 3000K, 4000K, 5000K
50000h@L80
CRI≥90
SDCM: 3

OPTICAL
Direct illumination
Beam angle 15°/25°/33°
Optical accessories

ELECTRICAL
NON-DIM,
PHASE,
1-10V,
DALI,
BLUETOOTH

PHYSICAL
Aluminum



Description

The two in one high power adjustable design provides more luminous flux and help you to accurately project light on different objects, highlighting a single area or object.

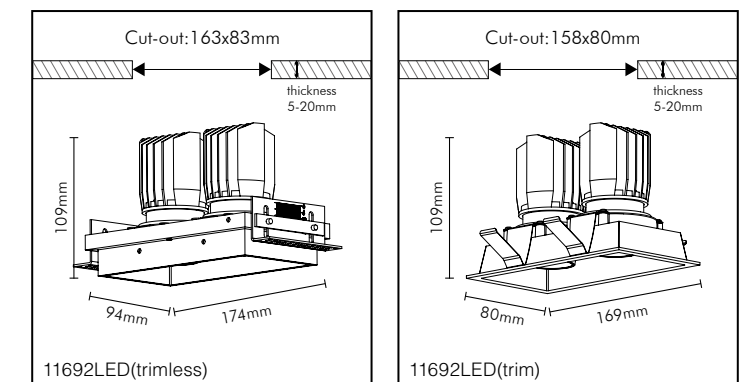
Applications

Hotels, Clubs, Bars, Restaurants,
Conference centers, Residences,
Shopping malls, etc.

Features

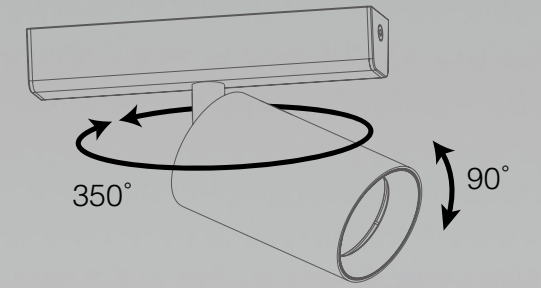


Mounting dimension





- Recessed and surface mounted design.
- Adjustable at 350 ° in horizontal direction and 90 ° in vertical direction.
- Deep anti-glare design, comfortable light environment.
- Using high voltage and high efficiency COB chip technology, greatly improve the light efficiency.
- COB LED or GU10 bulb as options.



Recessed
Black + Gold



Surface mounted
White + Black



TITAMIA

LED 2602LED
GU10 2602



Quickinfo

GENERAL
Recessed
IP20

LED
LUMENS
8W
2700K, 3000K, 4000K, 5000K
50000h@L80
CRI≥90
SDCM: 5

OPTICAL
Direct illumination
Beam angle 20°/24°/38°/52°
Optical accessories

ELECTRICAL
NON-DIM,
PHASE

PHYSICAL
Aluminum



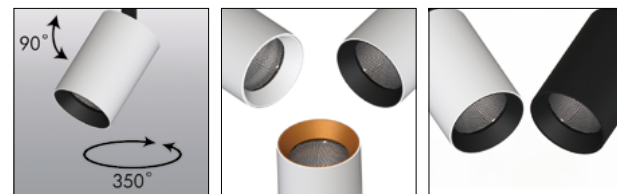
Description

Recessed design, COB LED or GU10 bulb as options, adjustable and flexible, and the minimalist shape design makes the lamp naturally integrate into a part of decoration.

Applications

Shopping centers, Museums, Galleries, Exhibition halls, Apartments, etc.

Features



Standard configuration

COLOUR TEMPERATURE
2700K
3000K

CONTROL
NON-DIM

OPTICAL
20°/24°/38°/52°

COLOUR(housing)
White+Black

COLOUR(reflector)
Black, White, Gold

Extended configuration

COLOUR TEMPERATURE
4000K
5000K

CONTROL
PHASE

COLOUR(housing)
Black

GU10

Power
Max.50W

Lamp holder
GU10

Lamp type(Voltage)
GU10LED(AC 220V)

Parameters

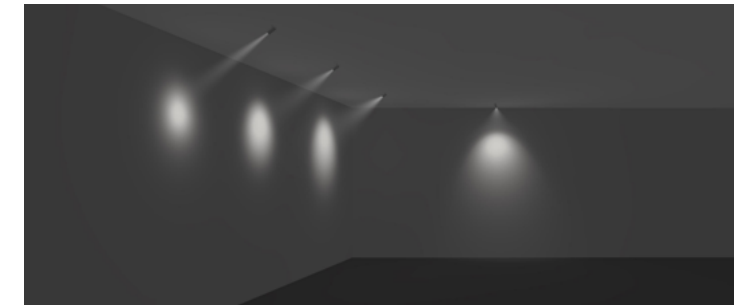
POWER AC INPUT CCT LUMINOUS FLUX
8W 220V 3000K 378~393 lm

Test standards:
LUMENS COB, CRI 90, tolerance range of electrical and optical parameters: ±10%.

Light Distribution

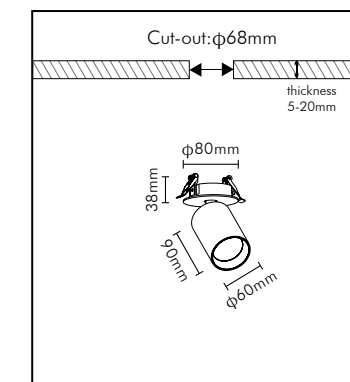
8W 20° 3000K Ra90			8W 24° 3000K Ra90			8W 38° 3000K Ra90			8W 52° 3000K Ra90		
H(m)	E(lx)	D(m)	H(m)	E(lx)	D(m)	H(m)	E(lx)	D(m)	H(m)	E(lx)	D(m)
1	2016	0.35	1	1650	0.41	1	951	0.69	1	588	0.97
2	504	0.70	2	413	0.82	2	238	1.38	2	147	1.93
3	224	1.05	3	183	1.23	3	106	2.06	3	65	2.89
4	126	1.40	4	103	1.64	4	60	2.75	4	37	3.86
5	81	1.75	5	66	2.05	5	38	3.44	5	24	4.82

Light effect and planning aid



Emphasis of objects or architectural elements. Wide-beam illumination of larger objects or spatial zones.

Mounting dimension



TITAMIA

LED 8602LED
GU10 8602



Quickinfo

GENERAL
Surface mounted
IP20

LED
LUMENS
8W
2700K, 3000K, 4000K, 5000K
50000h@L80
CRI≥90
SDCM: 5

OPTICAL
Direct illumination
Beam angle 20°/24°/38°/52°
Optical accessories

ELECTRICAL
NON-DIM,
PHASE

PHYSICAL
Aluminum



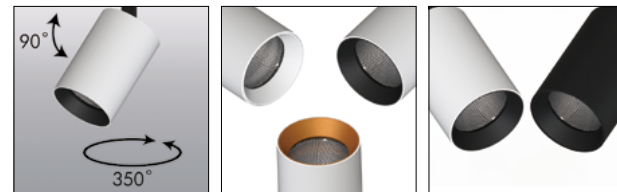
Description

Surface mounted design, COB LED or GU10 bulb as options, adjustable and flexible, and the minimalist shape design makes the lamp naturally integrate into a part of decoration.

Applications

Shopping centers, Museums, Galleries, Exhibition halls, Apartments, etc.

Features



Standard configuration

COLOUR TEMPERATURE
2700K
3000K

CONTROL
NON-DIM

OPTICAL
20°/24°/38°/52°

COLOUR(housing)
White+Black

COLOUR(reflector)
Black, White, Gold

Extended configuration

COLOUR TEMPERATURE
4000K
5000K

CONTROL
PHASE

COLOUR(housing)
Black

GU10

Power
Max.50W

Lamp holder
GU10

Lamp type(Voltage)
GU10LED(AC 220V)

Parameters

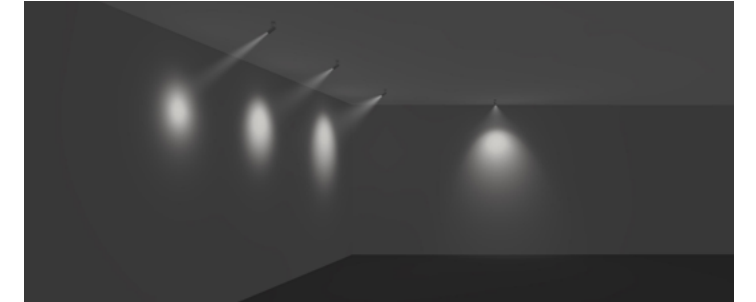
POWER 8W **AC INPUT** 220V **CCT** 3000K **LUMINOUS FLUX** 378~393 lm

Test standards:
LUMENS COB, CRI 90, tolerance range of electrical and optical parameters: ±10%.

Light Distribution

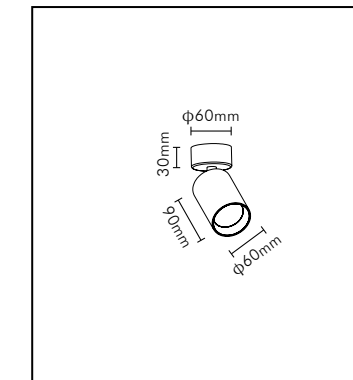
8W 20° 3000K Ra90			8W 24° 3000K Ra90			8W 38° 3000K Ra90			8W 52° 3000K Ra90		
H(m)	E(lx)	D(m)	H(m)	E(lx)	D(m)	H(m)	E(lx)	D(m)	H(m)	E(lx)	D(m)
1	2016	0.35	1	1650	0.41	1	951	0.69	1	588	0.97
2	504	0.70	2	413	0.82	2	238	1.38	2	147	1.93
3	224	1.05	3	183	1.23	3	106	2.06	3	65	2.89
4	126	1.40	4	103	1.64	4	60	2.75	4	37	3.86
5	81	1.75	5	66	2.05	5	38	3.44	5	24	4.82

Light effect and planning aid



Emphasis of objects or architectural elements. Wide-beam illumination of larger objects or spatial zones.

Mounting dimension





White+Black



Black

TITAMIA

LED 8603LED
GU10 8603



Standard configuration

COLOUR TEMPERATURE
2700K
3000K

CONTROL
NON-DIM

OPTICAL
20°/24°/38°/52°

COLOUR(housing)
White+Black

COLOUR(reflector)
Black, White, Gold

Parameters

POWER AC INPUT CCT LUMINOUS FLUX
8W 220V 3000K 378~393 lm

Test standards:
LUMENS COB, CRI 90, tolerance range of electrical and optical parameters: ±10%.

Light Distribution

8W 20° 3000K Ra90			8W 24° 3000K Ra90			8W 38° 3000K Ra90			8W 52° 3000K Ra90		
H(m)	E(lx)	D(m)	H(m)	E(lx)	D(m)	H(m)	E(lx)	D(m)	H(m)	E(lx)	D(m)
1	2016	0.35	1	1650	0.41	1	951	0.69	1	588	0.97
2	504	0.70	2	413	0.82	2	238	1.38	2	147	1.93
3	224	1.05	3	183	1.23	3	106	2.06	3	65	2.89
4	126	1.40	4	103	1.64	4	60	2.75	4	37	3.86
5	81	1.75	5	66	2.05	5	38	3.44	5	24	4.82

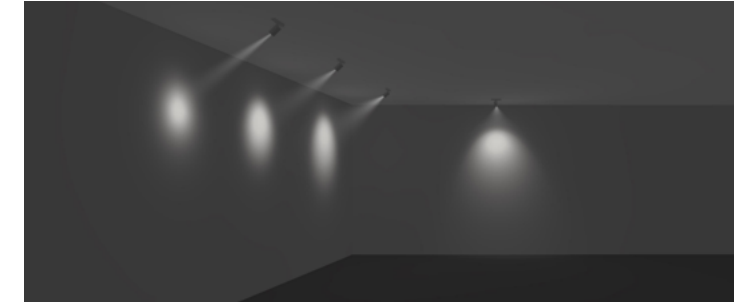
Extended configuration

COLOUR TEMPERATURE
4000K
5000K

CONTROL
PHASE

COLOUR(housing)
Black

Light effect and planning aid



Emphasis of objects or architectural elements. Wide-beam illumination of larger objects or spatial zones.

Quickinfo

GENERAL
Surface mounted
IP20

LED
LUMENS
8W
2700K, 3000K, 4000K, 5000K
50000h@L80
CRI≥90
SDCM: 5

OPTICAL
Direct illumination
Beam angle 20°/24°/38°/52°
Optical accessories

ELECTRICAL
NON-DIM,
PHASE

PHYSICAL
Aluminum



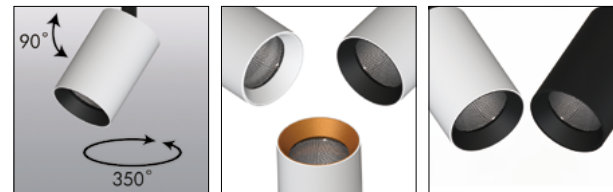
Description

Single head surface mounted design, COB LED or GU10 bulb as options, adjustable and flexible, suitable for places without ceiling, and can help you to accurately project light on objects, highlighting a single area or object.

Applications

Shopping centers, Museums, Galleries, Exhibition halls, Apartments, etc.

Features



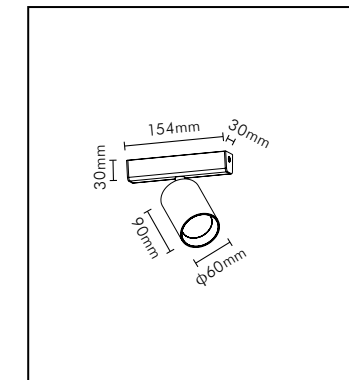
GU10

Power
Max.50W

Lamp holder
GU10

Lamp type(Voltage)
GU10LED(AC 220V)

Mounting dimension



TITAMIA

LED 8604LED
GU10 8604



Standard configuration

COLOUR TEMPERATURE
2700K
3000K

CONTROL
NON-DIM

OPTICAL
20°/24°/38°/52°

COLOUR(housing)
White+Black

COLOUR(reflector)
Black, White, Gold

Parameters

POWER AC INPUT CCT LUMINOUS FLUX
2x8W 220V 3000K 756~786 lm

Test standards:
LUMENS COB, CRI 90, tolerance range of electrical and optical parameters: ±10%.

Light Distribution

8W 20° 3000K Ra90			8W 24° 3000K Ra90			8W 38° 3000K Ra90			8W 52° 3000K Ra90		
H(m)	E(lx)	D(m)	H(m)	E(lx)	D(m)	H(m)	E(lx)	D(m)	H(m)	E(lx)	D(m)
1	2016	0.35	1	1650	0.41	1	951	0.69	1	588	0.97
2	504	0.70	2	413	0.82	2	238	1.38	2	147	1.93
3	224	1.05	3	183	1.23	3	106	2.06	3	65	2.89
4	126	1.40	4	103	1.64	4	60	2.75	4	37	3.86
5	81	1.75	5	66	2.05	5	38	3.44	5	24	4.82

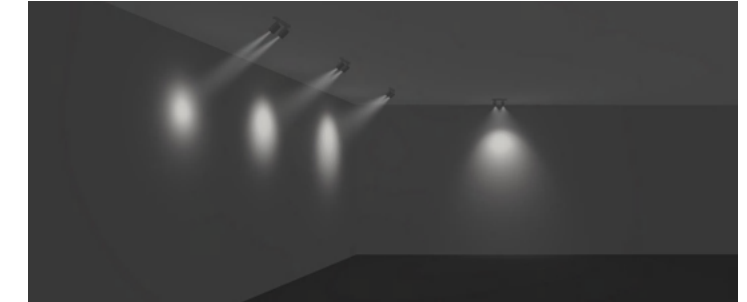
Extended configuration

COLOUR TEMPERATURE
4000K
5000K

CONTROL
PHASE

COLOUR(housing)
Black

Light effect and planning aid



Emphasis of objects or architectural elements. Wide-beam illumination of larger objects or spatial zones.

Quickinfo

GENERAL
Surface mounted
IP20

LED
LUMENS
2x8W
2700K, 3000K, 4000K, 5000K
50000h@L80
CRI≥90
SDCM: 5

OPTICAL
Direct illumination
Beam angle 20°/24°/38°/52°
Optical accessories

ELECTRICAL
NON-DIM,
PHASE

PHYSICAL
Aluminum



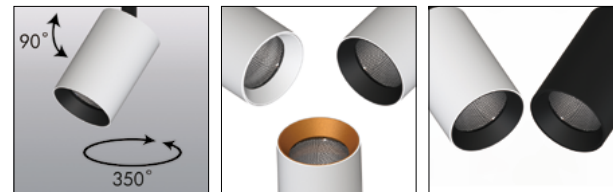
Description

Double heads surface mounted design, COB LED or GU10 bulb as options, adjustable and flexible, suitable for places without ceiling, and can help you accurately project light onto different objects, highlighting different areas or objects.

Applications

Shopping centers, Museums, Galleries, Exhibition halls, Apartments, etc.

Features



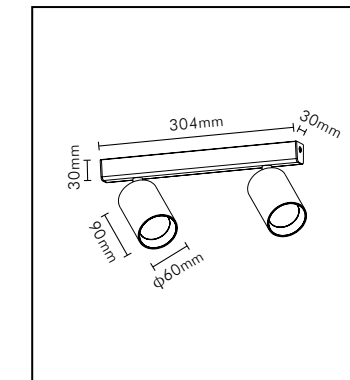
GU10

Power
2xMax.50W

Lamp holder
GU10

Lamp type(Voltage)
GU10LED(AC 220V)

Mounting dimension



TITAMIA

LED 8605LED
GU10 8605



Standard configuration

COLOUR TEMPERATURE
2700K
3000K

CONTROL
NON-DIM

OPTICAL
20°/24°/38°/52°

COLOUR(housing)
White+Black

COLOUR(reflector)
Black, White, Gold

Parameters

POWER AC INPUT CCT LUMINOUS FLUX
3x8W 220V 3000K 1134~1179 lm

Test standards:
LUMENS COB, CRI 90, tolerance range of electrical and optical parameters: ±10%.

Light Distribution

8W 20° 3000K Ra90			8W 24° 3000K Ra90			8W 38° 3000K Ra90			8W 52° 3000K Ra90		
H(m)	E(lx)	D(m)	H(m)	E(lx)	D(m)	H(m)	E(lx)	D(m)	H(m)	E(lx)	D(m)
1	2016	0.35	1	1650	0.41	1	951	0.69	1	588	0.97
2	504	0.70	2	413	0.82	2	238	1.38	2	147	1.93
3	224	1.05	3	183	1.23	3	106	2.06	3	65	2.89
4	126	1.40	4	103	1.64	4	60	2.75	4	37	3.86
5	81	1.75	5	66	2.05	5	38	3.44	5	24	4.82

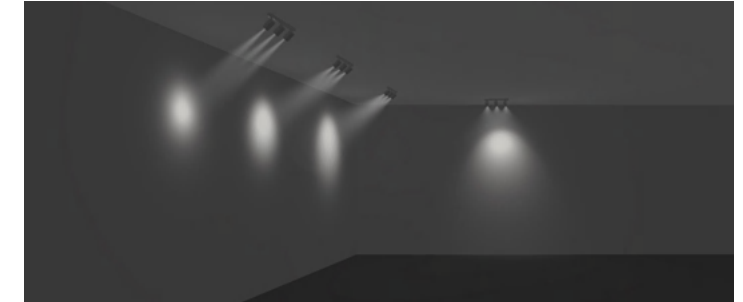
Extended configuration

COLOUR TEMPERATURE
4000K
5000K

CONTROL
PHASE

COLOUR(housing)
Black

Light effect and planning aid



Emphasis of objects or architectural elements. Wide-beam illumination of larger objects or spatial zones.

Quickinfo

GENERAL
Surface mounted
IP20

LED
LUMENS
3x8W
2700K, 3000K, 4000K, 5000K
50000h@L80
CRI≥90
SDCM: 5

OPTICAL
Direct illumination
Beam angle 20°/24°/38°/52°
Optical accessories

ELECTRICAL
NON-DIM,
PHASE

PHYSICAL
Aluminum



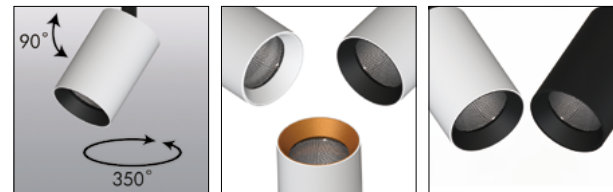
Description

Triple heads surface mounted design, COB LED or GU10 bulb as options, adjustable and flexible, suitable for places without ceiling, and can help you accurately project light onto multiple objects, highlighting multiple areas or objects.

Applications

Shopping centers, Museums, Galleries, Exhibition halls, Apartments, etc.

Features



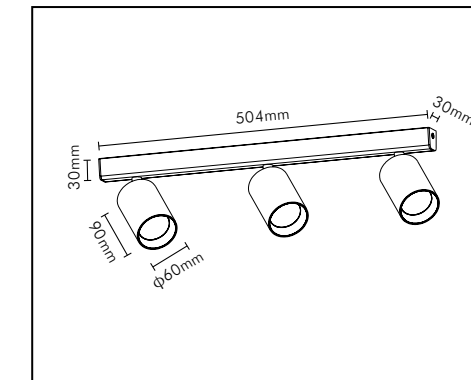
GU10

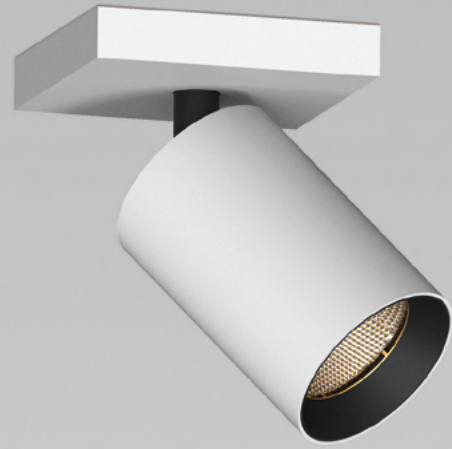
Power
3xMax.50W

Lamp holder
GU10

Lamp type(Voltage)
GU10LED(AC 220V)

Mounting dimension





Single head



Quadruple heads

TITAMIA

LED 8606LED
GU10 8606



Quickinfo

GENERAL
Surface mounted
IP20

LED
LUMENS
8W
2700K, 3000K, 4000K, 5000K
50000h@L80
CRI≥90
SDCM: 5

OPTICAL
Direct illumination
Beam angle 20°/24°/38°/52°
Optical accessories

ELECTRICAL
NON-DIM,
PHASE

PHYSICAL
Aluminum



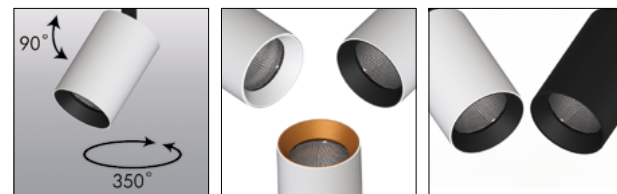
Description

Single head surface mounted design, COB LED or GU10 bulb as options, adjustable and flexible, suitable for places without ceiling, and can help you accurately project light on objects, highlighting a single area or object.

Applications

Shopping centers, Museums, Galleries, Exhibition halls, Apartments, etc.

Features



Standard configuration

COLOUR TEMPERATURE
2700K
3000K

CONTROL
NON-DIM

OPTICAL
20°/24°/38°/52°

COLOUR(housing)
White+Black

COLOUR(reflector)
Black, White, Gold

Extended configuration

COLOUR TEMPERATURE
4000K
5000K

CONTROL
PHASE

COLOUR(housing)
Black

GU10

Power
Max.50W

Lamp holder
GU10

Lamp type(Voltage)
GU10LED(AC 220V)

Parameters

POWER AC INPUT CCT LUMINOUS FLUX
8W 220V 3000K 378~393 lm

Test standards:
LUMENS COB, CRI 90, tolerance range of electrical and optical parameters: ±10%.

Light Distribution

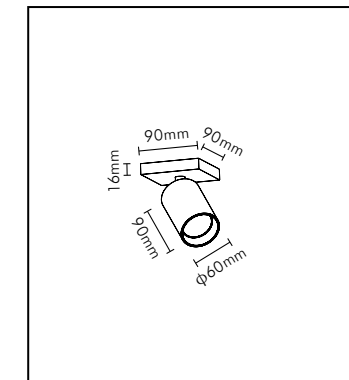
8W 20° 3000K Ra90			8W 24° 3000K Ra90			8W 38° 3000K Ra90			8W 52° 3000K Ra90		
H(m)	E(lx)	D(m)	H(m)	E(lx)	D(m)	H(m)	E(lx)	D(m)	H(m)	E(lx)	D(m)
1	2016	0.35	1	1650	0.41	1	951	0.69	1	588	0.97
2	504	0.70	2	413	0.82	2	238	1.38	2	147	1.93
3	224	1.05	3	183	1.23	3	106	2.06	3	65	2.89
4	126	1.40	4	103	1.64	4	60	2.75	4	37	3.86
5	81	1.75	5	66	2.05	5	38	3.44	5	24	4.82

Light effect and planning aid



Emphasis of objects or architectural elements. Wide-beam illumination of larger objects or spatial zones.

Mounting dimension



TITAMIA

LED 8607LED
GU10 8607



Standard configuration

COLOUR TEMPERATURE
2700K
3000K

CONTROL
NON-DIM

OPTICAL
20°/24°/38°/52°

COLOUR(housing)
White+Black

COLOUR(reflector)
Black, White, Gold

Parameters

POWER AC INPUT CCT LUMINOUS FLUX
2x8W 220V 3000K 756~786 lm

Test standards:
LUMENS COB, CRI 90, tolerance range of electrical and optical parameters: ±10%.

Light Distribution

8W 20° 3000K Ra90			8W 24° 3000K Ra90			8W 38° 3000K Ra90			8W 52° 3000K Ra90		
H(m)	E(lx)	D(m)	H(m)	E(lx)	D(m)	H(m)	E(lx)	D(m)	H(m)	E(lx)	D(m)
1	2016	0.35	1	1650	0.41	1	951	0.69	1	588	0.97
2	504	0.70	2	413	0.82	2	238	1.38	2	147	1.93
3	224	1.05	3	183	1.23	3	106	2.06	3	65	2.89
4	126	1.40	4	103	1.64	4	60	2.75	4	37	3.86
5	81	1.75	5	66	2.05	5	38	3.44	5	24	4.82

Extended configuration

COLOUR TEMPERATURE
4000K
5000K

CONTROL
PHASE

COLOUR(housing)
Black

Light effect and planning aid



Emphasis of objects or architectural elements. Wide-beam illumination of larger objects or spatial zones.

Quickinfo

GENERAL
Surface mounted
IP20

LED
LUMENS
2x8W
2700K, 3000K, 4000K, 5000K
50000h@L80
CRI≥90
SDCM: 5

OPTICAL
Direct illumination
Beam angle 20°/24°/38°/52°
Optical accessories

ELECTRICAL
NON-DIM,
PHASE

PHYSICAL
Aluminum



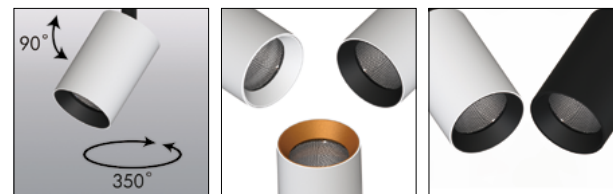
Description

Double heads surface mounted design, COB LED or GU10 bulb as options, adjustable and flexible, suitable for places without ceiling, and can help you accurately project light onto different objects, highlighting different areas or objects.

Applications

Shopping centers, Museums, Galleries, Exhibition halls, Apartments, etc.

Features



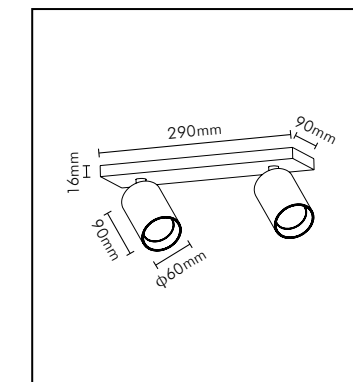
GU10

Power
2xMax.50W

Lamp holder
GU10

Lamp type(Voltage)
GU10LED(AC 220V)

Mounting dimension



TITAMIA

LED 8608LED
GU10 8608



Quickinfo

GENERAL
Surface mounted
IP20

LED
LUMENS
3x8W
2700K, 3000K, 4000K, 5000K
50000h@L80
CRI≥90
SDCM: 5

OPTICAL
Direct illumination
Beam angle 20°/24°/38°/52°
Optical accessories

ELECTRICAL
NON-DIM,
PHASE

PHYSICAL
Aluminum



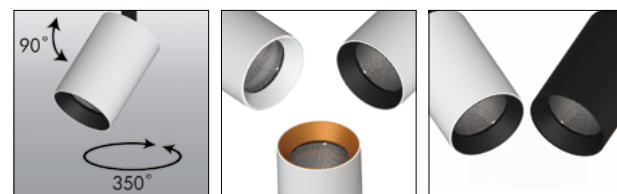
Description

Triple heads surface mounted design, COB LED or GU10 bulb as options, adjustable and flexible, suitable for places without ceiling, and can help you accurately project light onto multiple objects, highlighting multiple areas or objects.

Applications

Shopping centers, Museums, Galleries, Exhibition halls, Apartments, etc.

Features



Standard configuration

COLOUR TEMPERATURE
2700K
3000K

CONTROL
NON-DIM

OPTICAL
20°/24°/38°/52°

COLOUR(housing)
White+Black

COLOUR(reflector)
Black, White, Gold

Extended configuration

COLOUR TEMPERATURE
4000K
5000K

CONTROL
PHASE

COLOUR(housing)
Black

GU10

Power
3xMax.50W

Lamp holder
GU10

Lamp type(Voltage)
GU10LED(AC 220V)

Parameters

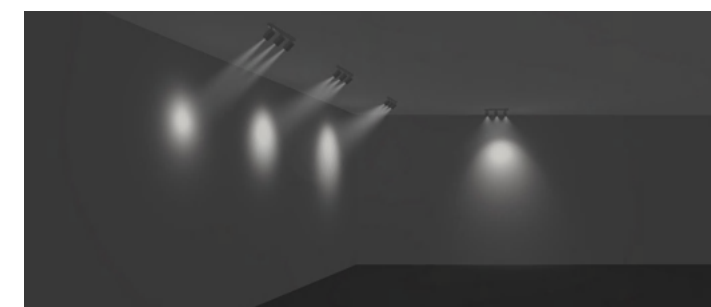
POWER 3x8W **AC INPUT** 220V **CCT** 3000K **LUMINOUS FLUX** 1134~1179 lm

Test standards:
LUMENS COB, CRI 90, tolerance range of electrical and optical parameters: ±10%.

Light Distribution

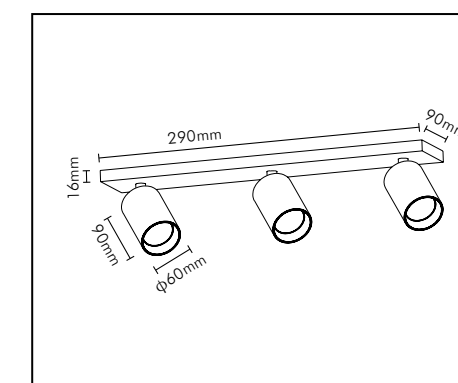
8W 20° 3000K Ra90			8W 24° 3000K Ra90			8W 38° 3000K Ra90			8W 52° 3000K Ra90		
H(m)	E(lx)	D(m)	H(m)	E(lx)	D(m)	H(m)	E(lx)	D(m)	H(m)	E(lx)	D(m)
1	2016	0.35	1	1650	0.41	1	951	0.69	1	588	0.97
2	504	0.70	2	413	0.82	2	238	1.38	2	147	1.93
3	224	1.05	3	183	1.23	3	106	2.06	3	65	2.89
4	126	1.40	4	103	1.64	4	60	2.75	4	37	3.86
5	81	1.75	5	66	2.05	5	38	3.44	5	24	4.82

Light effect and planning aid



Emphasis of objects or architectural elements. Wide-beam illumination of larger objects or spatial zones.

Mounting dimension



TITAMIA

LED 8609LED
GU10 8609



Quickinfo

GENERAL
Surface mounted
IP20

LED
LUMENS
4x8W
2700K, 3000K, 4000K, 5000K
50000h@L80
CRI≥90
SDCM: 5

OPTICAL
Direct illumination
Beam angle 20°/24°/38°/52°
Optical accessories

ELECTRICAL
NON-DIM,
PHASE

PHYSICAL
Aluminum



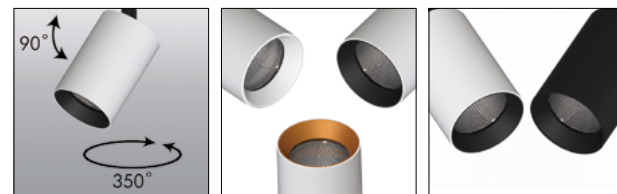
Description

Quadruple heads surface mounted design, COB LED or GU10 bulb as options, adjustable and flexible, suitable for places without ceiling, and can help you accurately project light onto multiple objects, highlighting multiple areas or objects.

Applications

Shopping centers, Museums, Galleries, Exhibition halls, Apartments, etc.

Features



Standard configuration

COLOUR TEMPERATURE
2700K
3000K

CONTROL
NON-DIM

OPTICAL
20°/24°/38°/52°

COLOUR(housing)
White+Black

COLOUR(reflector)
Black, White, Gold

Extended configuration

COLOUR TEMPERATURE
4000K
5000K

CONTROL
PHASE

COLOUR(housing)
Black

GU10

Power
4xMax.50W

Lamp holder
GU10

Lamp type(Voltage)
GU10LED(AC 220V)

Parameters

POWER 4x8W **AC INPUT** 220V **CCT** 3000K **LUMINOUS FLUX** 1512~1572 lm

Test standards:
LUMENS COB, CRI 90, tolerance range of electrical and optical parameters: ±10%.

Light Distribution

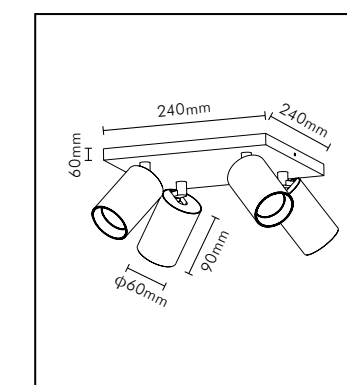
8W 20° 3000K Ra90			8W 24° 3000K Ra90			8W 38° 3000K Ra90			8W 52° 3000K Ra90		
H(m)	E(lx)	D(m)	H(m)	E(lx)	D(m)	H(m)	E(lx)	D(m)	H(m)	E(lx)	D(m)
1	2016	0.35	1	1650	0.41	1	951	0.69	1	588	0.97
2	504	0.70	2	413	0.82	2	238	1.38	2	147	1.93
3	224	1.05	3	183	1.23	3	106	2.06	3	65	2.89
4	126	1.40	4	103	1.64	4	60	2.75	4	37	3.86
5	81	1.75	5	66	2.05	5	38	3.44	5	24	4.82

Light effect and planning aid



Emphasis of objects or architectural elements. Wide-beam illumination of larger objects or spatial zones.

Mounting dimension



- Aluminum profile housing, independent integrated radiator.
- Surface treatment powder.
- Color: white, black or customized.
- Optical design of lens and material combination, soft light transition.
- Deep anti-glare design, comfortable light environment.
- Adopt the most efficient COB chip technology, greatly improve the light efficiency.

φ70mm / 20W



φ60mm / 15W



φ50mm / 8W



TITAMIA

8501LED



Standard configuration

COLOUR TEMPERATURE
2700K
3000K

CONTROL
NON-DIM

OPTICAL
20°/30°

COLOUR(housing)
White

COLOUR(reflector)
Black, White, Gold

Parameters

POWER	VF	CURRENT	CCT	LUMINOUS FLUX
8W	36V	200mA	3000K	614~645 lm

Test standards:
Citizen COB, CRI 90, tolerance range of electrical and optical parameters: ±10%.

Light Distribution

8W 20° 3000K Ra90			8W 30° 3000K Ra90		
H(m)	E(lx)	D(m)	H(m)	E(lx)	D(m)
1	3753	0.34	1	1696	0.54
2	938	0.68	2	424	1.09
3	417	1.03	3	188	1.63
4	235	1.37	4	106	2.18
5	150	1.71	5	68	2.72

HEIGHT ILLUMINANCE DIAMETER

Extended configuration

COLOUR TEMPERATURE
4000K
5000K

CONTROL
PHASE

COLOUR(housing)
Black

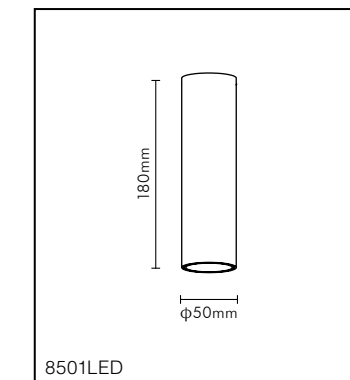
COLOUR(reflector)
White, Gold

Light effect and planning aid



Emphasis of objects or architectural elements.

Technical drawing



Quickinfo

GENERAL
Surface mounted
IP20

LED
CITIZEN
8W
2700K, 3000K, 4000K, 5000K
50000h@L80
CRI≥90
SDCM: 3

OPTICAL
Direct illumination
Beam angle 20°/30°
Optical accessories

ELECTRICAL
NON-DIM,
PHASE

PHYSICAL
Aluminum



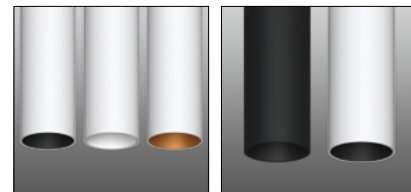
Description

The minimalist shape design not only can meet the lighting needs, but also be a part of decoration.

Applications

Hotels, Shopping malls, Restaurants, Bars, Villas, etc.

Features



TITAMIA

8601LED



Standard configuration

COLOUR TEMPERATURE
2700K
3000K

CONTROL
NON-DIM

OPTICAL
15°/23°/36°

COLOUR(housing)
White

COLOUR(reflector)
Black

Parameters

POWER	VF	CURRENT	CCT	LUMINOUS FLUX
15W	36V	350mA	3000K	1130~1215 lm

Test standards:
Citizen COB, CRI 90, tolerance range of electrical and optical parameters: ±10%.

Light Distribution

15W 15° 3000K Ra90			15W 23° 3000K Ra90			15W 36° 3000K Ra90		
H(m)	E(lx)	D(m)	H(m)	E(lx)	D(m)	H(m)	E(lx)	D(m)
1	7398	0.31	1	5957	0.38	1	3161	0.62
2	1850	0.63	2	1489	0.76	2	790	1.24
3	822	0.94	3	662	1.15	3	351	1.85
4	462	1.26	4	372	1.53	4	198	2.47
5	296	1.57	5	238	1.91	5	127	3.09

Extended configuration

COLOUR TEMPERATURE
4000K
5000K

CONTROL
PHASE

COLOUR(housing)
Black

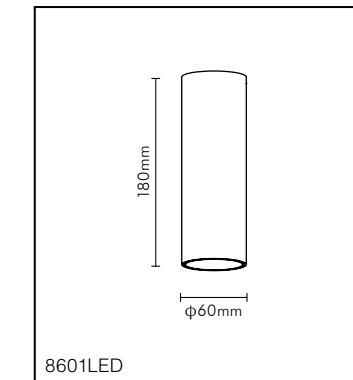
COLOUR(reflector)
White, Gold

Light effect and planning aid



Emphasis of objects or architectural elements.

Technical drawing



Quickinfo

GENERAL
Surface mounted
IP20

LED
CITIZEN
15W
2700K, 3000K, 4000K, 5000K
50000h@L80
CRI≥90
SDCM: 3

OPTICAL
Direct illumination
Beam angle 15°/23°/36°
Optical accessories

ELECTRICAL
NON-DIM,
PHASE

PHYSICAL
Aluminum



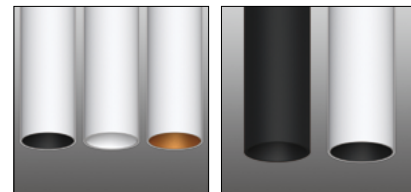
Description

The minimalist shape design not only can meet the lighting needs, but also be a part of decoration.

Applications

Hotels, Shopping malls, Restaurants, Bars, Villas, etc.

Features



TITAMIA

8701LED



Standard configuration

COLOUR TEMPERATURE
2700K
3000K

CONTROL
NON-DIM

OPTICAL
15°/20°/33°

COLOUR(housing)
White

COLOUR(reflector)
Black

Extended configuration

COLOUR TEMPERATURE
4000K
5000K

CONTROL
PHASE

COLOUR(housing)
Black

COLOUR(reflector)
White, Gold

Parameters

POWER	VF	CURRENT	CCT	LUMINOUS FLUX
20W	36V	500mA	3000K	1325~1407 lm

Test standards:
Citizen COB, CRI 90, tolerance range of electrical and optical parameters: ±10%.

Light Distribution

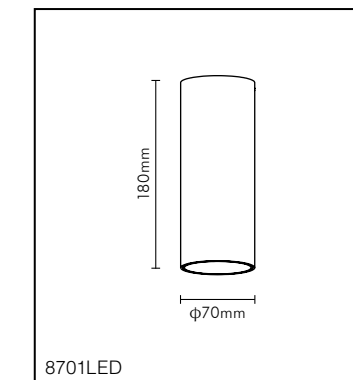
20W 15° 3000K Ra90			20W 20° 3000K Ra90			20W 33° 3000K Ra90		
H(m)	E(lx)	D(m)	H(m)	E(lx)	D(m)	H(m)	E(lx)	D(m)
3	1624	0.74	3	1292	1.01	3	409	1.76
4	913	0.99	4	727	1.34	4	230	2.34
5	585	1.23	5	465	1.68	5	147	2.93
6	406	1.48	6	323	2.02	6	102	3.51
7	298	1.73	7	237	2.35	7	75	4.10

Light effect and planning aid



Emphasis of objects or architectural elements.

Technical drawing



Quickinfo

GENERAL
Surface mounted
IP20

LED
CITIZEN
20W
2700K, 3000K, 4000K, 5000K
50000h@L80
CRI≥90
SDCM: 3

OPTICAL
Direct illumination
Beam angle 15°/20°/33°
Optical accessories

ELECTRICAL
NON-DIM,
PHASE

PHYSICAL
Aluminum



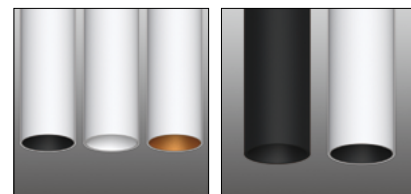
Description

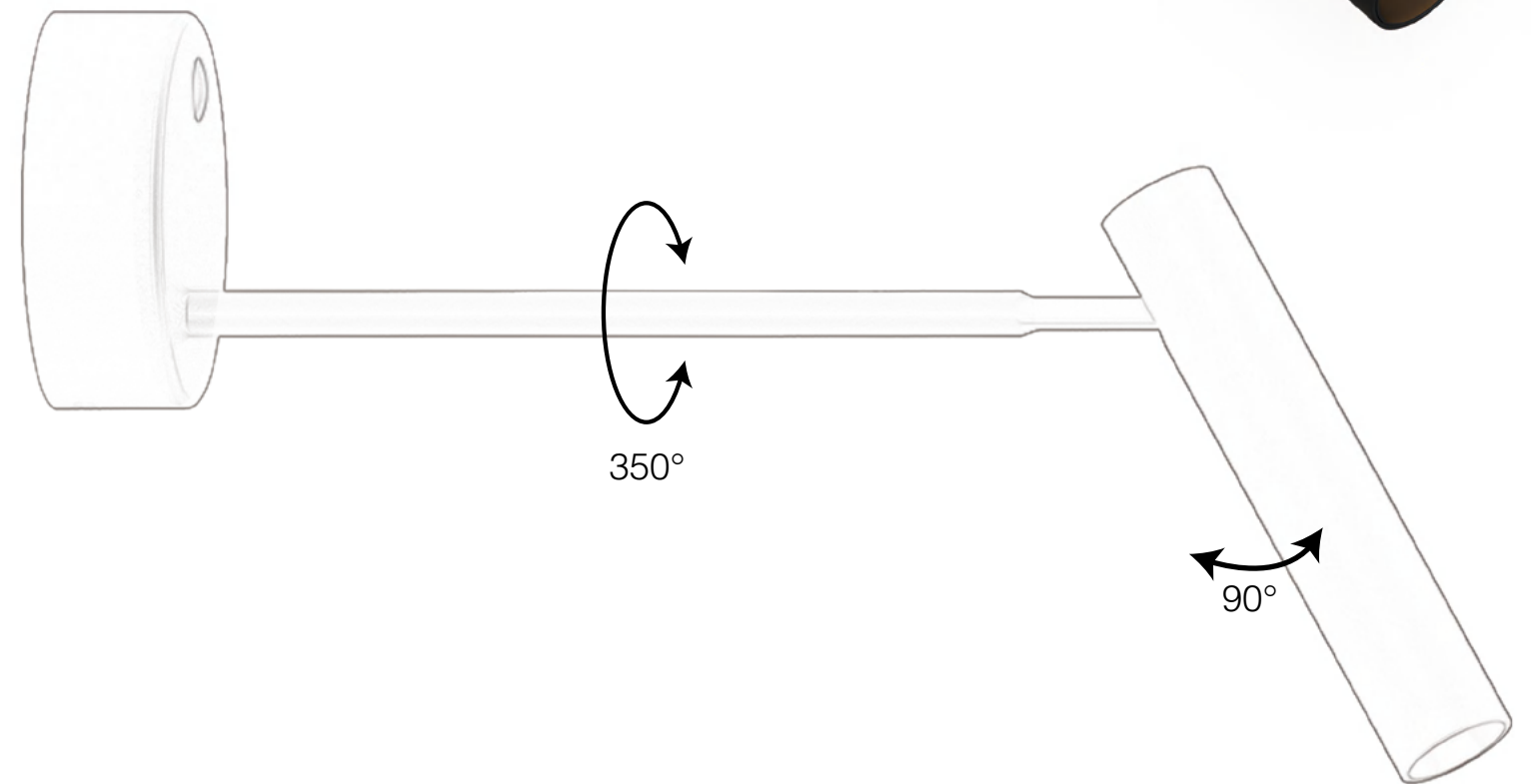
The minimalist shape design not only can meet the lighting needs, but also be a part of decoration.

Applications

Hotels, Shopping malls, Restaurants, Bars, Villas, etc.

Features







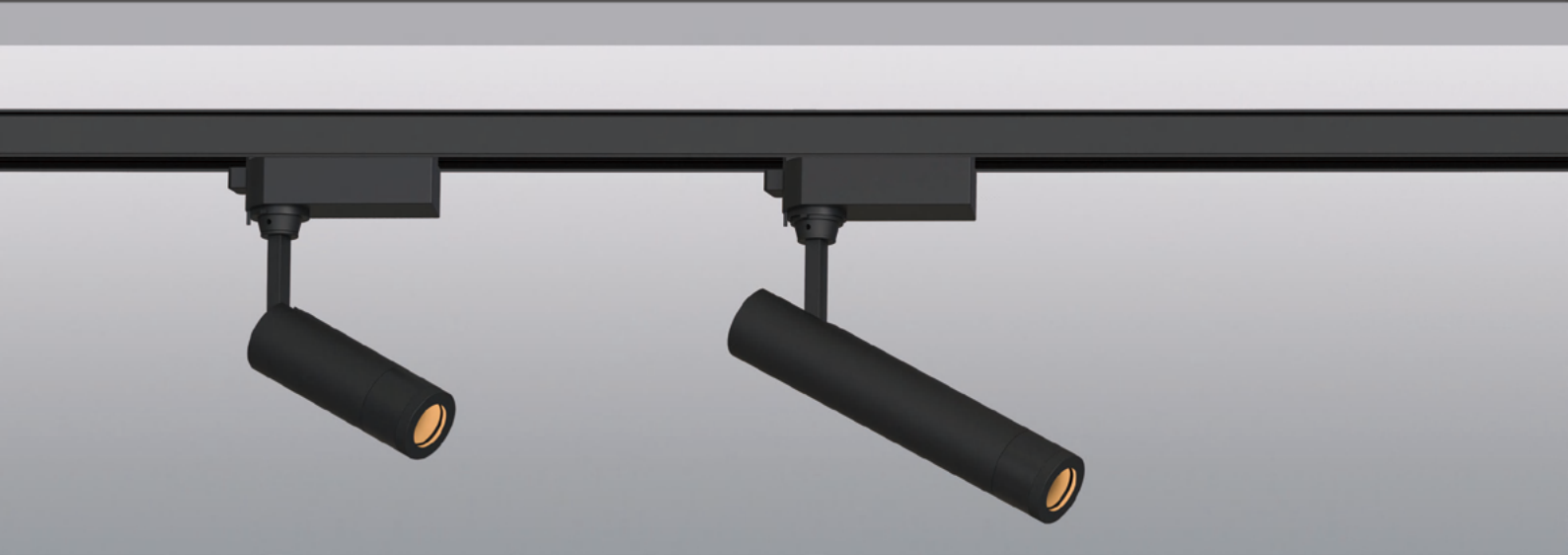
7W
12°~36°



7W
15°/24°/33°

TITAMIA

3351LED & 3353LED



Quickinfo

GENERAL
Track
IP20

LED
CITIZEN
7W
2700K, 3000K, 4000K, 5000K
50000h@L80
CRI≥90
SDCM: 3

OPTICAL
Direct illumination
Beam angle 12°~36°
Optical accessories

ELECTRICAL
NON-DIM

PHYSICAL
Aluminum



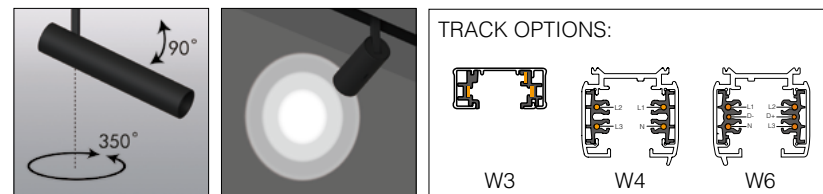
Description

Thin strip appearance, track design, flexible position, with the focusing technology, so that the lighting and space can be combined together perfectly.

Applications

Hotels, Shopping malls, Restaurants, Bars, Villas, etc.

Features



Standard configuration

COLOUR TEMPERATURE
2700K
3000K

CONTROL
NON-DIM

OPTICAL
12°~36°

COLOUR(housing)
Black

COLOUR(reflector)
Black

Extended configuration

COLOUR TEMPERATURE
4000K
5000K

Parameters

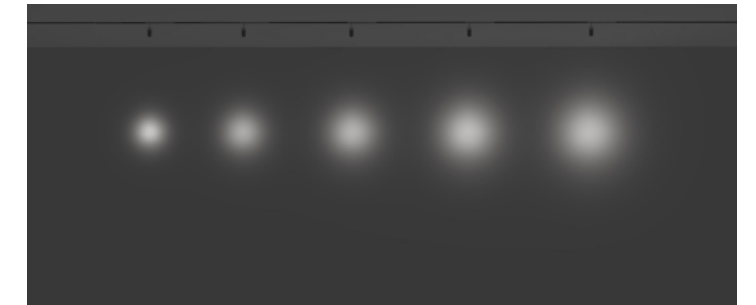
POWER	VF	CURRENT	CCT	LUMINOUS FLUX
7W	36V	150mA	3000K	125~143 lm

Test standards:
Citizen COB, CRI 90, tolerance range of electrical and optical parameters: ±10%.

Light Distribution

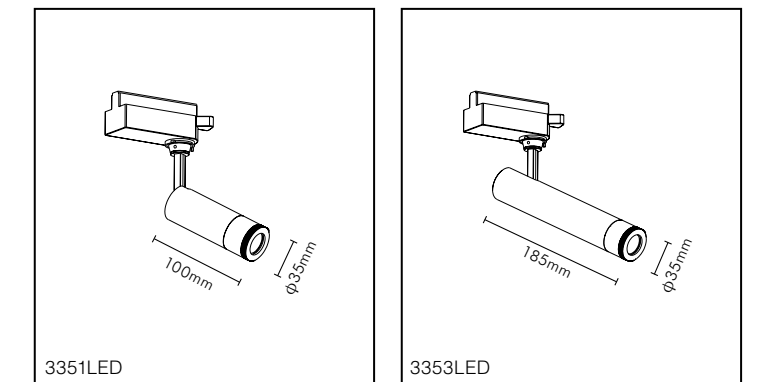
7W 12° 3000K Ra90			7W 36° 3000K Ra90		
H(m)	E(lx)	D(m)	H(m)	E(lx)	D(m)
1	2469	0.21	1	469	0.61
2	617	0.42	2	117	1.21
3	274	0.62	3	52	1.82
4	154	0.83	4	29	2.42
5	99	1.04	5	19	3.03

Light effect and planning aid



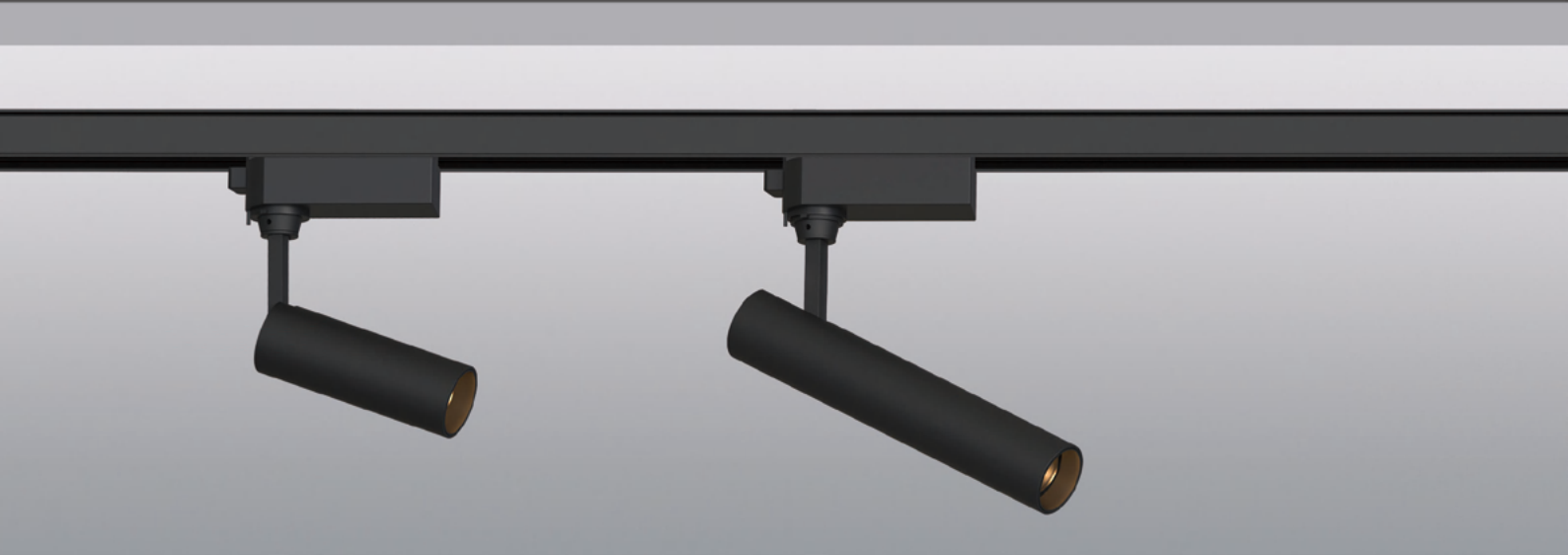
Emphasis of objects or architectural elements.

Technical drawing



TITAMIA

3352LED & 3354LED



Quickinfo

GENERAL
Track
IP20

LED
CITIZEN
7W
2700K, 3000K, 4000K, 5000K
50000h@L80
CRI≥90
SDCM: 3

OPTICAL
Direct illumination
Beam angle 15°/24°/33°
Optical accessories

ELECTRICAL
NON-DIM

PHYSICAL
Aluminum



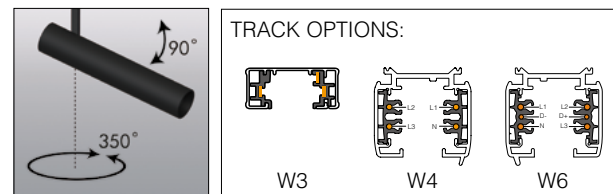
Description

Thin strip appearance, track design, flexible position, so that the lighting and space can be combined together perfectly.

Applications

Hotels, Shopping malls, Restaurants, Bars, Villas, etc.

Features



Standard configuration

COLOUR TEMPERATURE
2700K
3000K

CONTROL
NON-DIM

OPTICAL
15°/24°/33°

COLOUR(housing)
Black

COLOUR(reflector)
Black

Extended configuration

COLOUR TEMPERATURE
4000K
5000K

Parameters

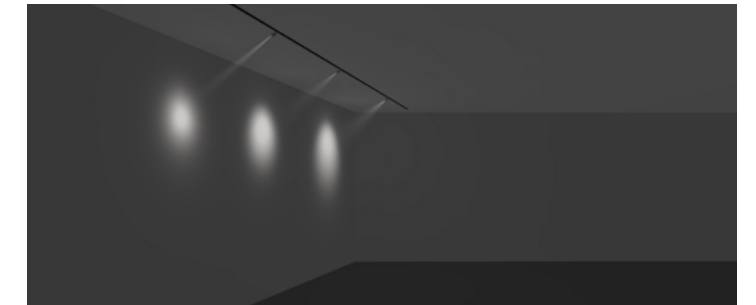
POWER	VF	CURRENT	CCT	LUMINOUS FLUX
7W	36V	150mA	3000K	446~469 lm

Test standards:
Citizen COB, CRI 90, tolerance range of electrical and optical parameters: ±10%.

Light Distribution

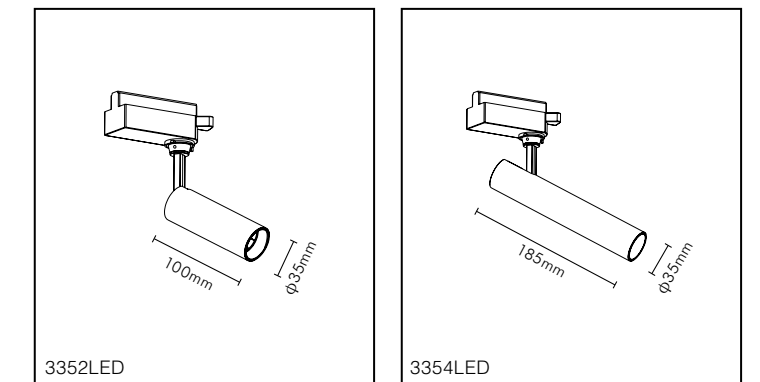
7W 15° 3000K Ra90			7W 24° 3000K Ra90			7W 33° 3000K Ra90		
H(m)	E(lx)	D(m)	H(m)	E(lx)	D(m)	H(m)	E(lx)	D(m)
1	4180	0.24	1	2399	0.38	1	1485	0.54
2	1045	0.48	2	600	0.76	2	371	1.07
3	464	0.72	3	267	1.14	3	165	1.60
4	281	0.96	4	150	1.53	4	93	2.14
5	167	1.19	5	96	1.91	5	59	2.67

Light effect and planning aid



Emphasis of objects or architectural elements.

Technical drawing





TITAMIA

2351LED & 2353LED



Quickinfo

GENERAL
Recessed
IP20

LED
CITIZEN
7W
2700K, 3000K, 4000K, 5000K
50000h@L80
CRI≥90
SDCM: 3

OPTICAL
Direct illumination
Beam angle 15°/24°/33°
Optical accessories

ELECTRICAL
NON-DIM,
PHASE,
1-10V,
DALI,
BLUETOOTH

PHYSICAL
Aluminum



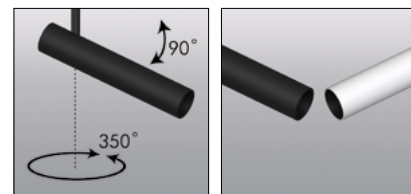
Description

Single head large angle adjustment design, recessed installation, different sizes of recessed base as options for different spaces.

Applications

Hotels, Shopping malls, Restaurants, Bars, Villas, etc.

Features



Standard configuration

COLOUR TEMPERATURE
2700K
3000K

CONTROL
NON-DIM

OPTICAL
15°/24°/33°

COLOUR(housing)
Black

COLOUR(reflector)
Black

Extended configuration

COLOUR TEMPERATURE
4000K
5000K

CONTROL
DALI, PHASE, 1-10V

COLOUR(housing)
White

Options on request

CONTROL
BLUETOOTH

Parameters

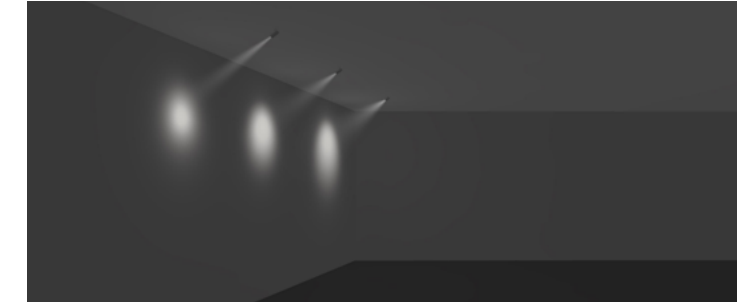
POWER	VF	CURRENT	CCT	LUMINOUS FLUX
7W	36V	150mA	3000K	446~469 lm

Test standards:
Citizen COB, CRI 90, tolerance range of electrical and optical parameters: ±10%.

Light Distribution

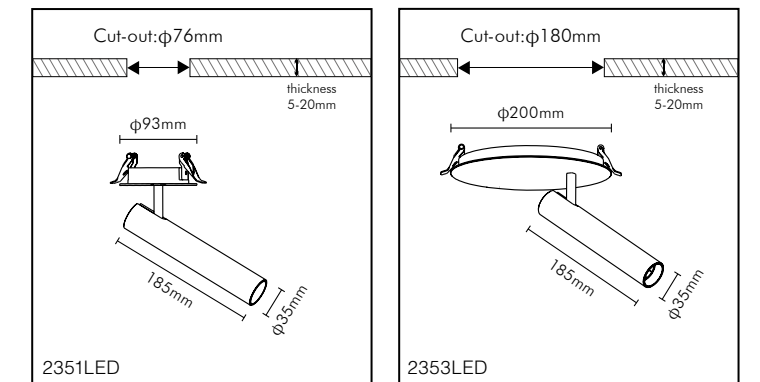
7W 15° 3000K Ra90			7W 24° 3000K Ra90			7W 33° 3000K Ra90		
H(m)	E(lx)	D(m)	H(m)	E(lx)	D(m)	H(m)	E(lx)	D(m)
1	4180	0.24	1	2399	0.38	1	1485	0.54
2	1045	0.48	2	600	0.76	2	371	1.07
3	464	0.72	3	267	1.14	3	165	1.60
4	281	0.96	4	150	1.53	4	93	2.14
5	167	1.19	5	96	1.91	5	59	2.67

Light effect and planning aid



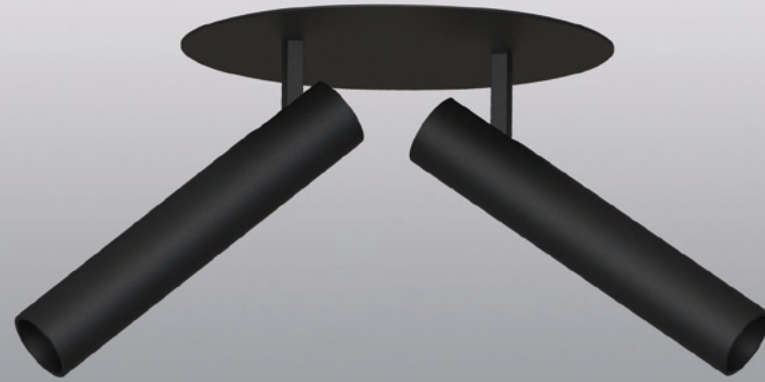
Emphasis of objects or architectural elements.

Technical drawing



TITAMIA

2352LED



Quickinfo

GENERAL
Recessed
IP20

LED
CITIZEN
2x7W
2700K, 3000K, 4000K, 5000K
50000h@L80
CRI≥90
SDCM: 3

OPTICAL
Direct illumination
Beam angle 15°/24°/33°
Optical accessories

ELECTRICAL
NON-DIM,
PHASE,
1-10V,
DALI,
BLUETOOTH

PHYSICAL
Aluminum



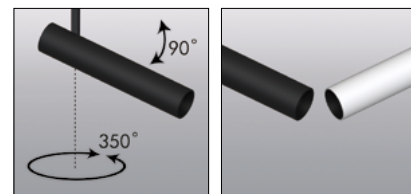
Description

Double heads large angle adjustment design, recessed installation, and can help you accurately cast light on different objects, highlighting different areas or objects.

Applications

Hotels, Shopping malls, Restaurants, Bars, Villas, etc.

Features



Standard configuration

COLOUR TEMPERATURE
2700K
3000K

CONTROL
NON-DIM

OPTICAL
15°/24°/33°

COLOUR(housing)
Black

COLOUR(reflector)
Black

Extended configuration

COLOUR TEMPERATURE
4000K
5000K

CONTROL
DALI, PHASE, 1-10V

COLOUR(housing)
White

Options on request

CONTROL
BLUETOOTH

Parameters

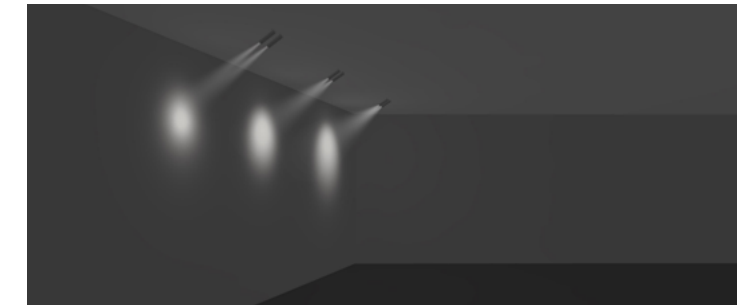
POWER	VF	CURRENT	CCT	LUMINOUS FLUX
2x7W	36V	150mA	3000K	892~938 lm

Test standards:
Citizen COB, CRI 90, tolerance range of electrical and optical parameters: ±10%.

Light Distribution

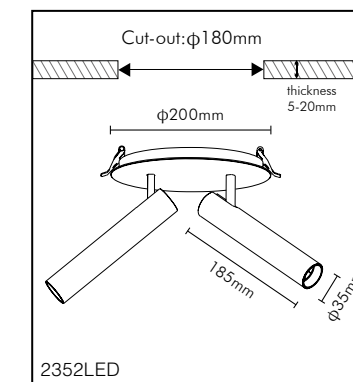
7W 15° 3000K Ra90			7W 24° 3000K Ra90			7W 33° 3000K Ra90		
H(m)	E(lx)	D(m)	H(m)	E(lx)	D(m)	H(m)	E(lx)	D(m)
1	4180	0.24	1	2399	0.38	1	1485	0.54
2	1045	0.48	2	600	0.76	2	371	1.07
3	464	0.72	3	267	1.14	3	165	1.60
4	281	0.96	4	150	1.53	4	93	2.14
5	167	1.19	5	96	1.91	5	59	2.67

Light effect and planning aid



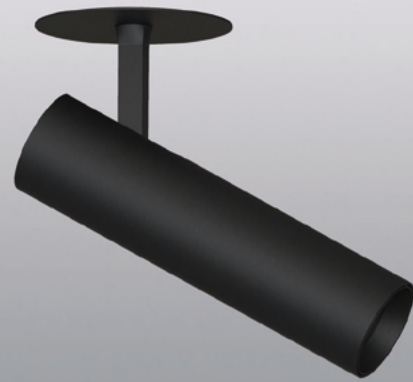
Emphasis of objects or architectural elements.

Technical drawing



TITAMIA

2505LED



Standard configuration

COLOUR TEMPERATURE
2700K
3000K

CONTROL
NON-DIM

OPTICAL
15°/24°/38°

COLOUR(housing)
Black

COLOUR(reflector)
Black

Extended configuration

COLOUR TEMPERATURE
4000K
5000K

CONTROL
DALI, PHASE, 1-10V

COLOUR(housing)
White

Options on request

CONTROL
BLUETOOTH

Parameters

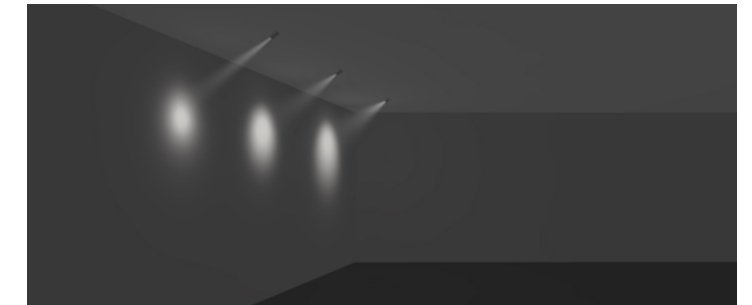
POWER	VF	CURRENT	CCT	LUMINOUS FLUX
12W	31V	350mA	3000K	812~850 lm

Test standards:
Citizen COB, CRI 90, tolerance range of electrical and optical parameters: ±10%.

Light Distribution

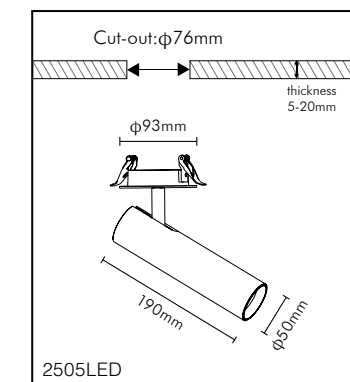
12W 15° 3000K Ra90			12W 24° 3000K Ra90			12W 38° 3000K Ra90		
H(m)	E(lx)	D(m)	H(m)	E(lx)	D(m)	H(m)	E(lx)	D(m)
1	9066	0.25	1	4571	0.42	1	2098	0.67
2	2266	0.50	2	1143	0.85	2	524	1.34
3	1007	0.75	3	508	1.27	3	233	2.01
4	567	1.00	4	286	1.69	4	131	2.67
5	363	1.24	5	183	2.12	5	84	3.34

Light effect and planning aid



Emphasis of objects or architectural elements.

Technical drawing



Quickinfo

GENERAL
Recessed
IP20

LED
CITIZEN
12W
2700K, 3000K, 4000K, 5000K
50000h@L80
CRI≥90
SDCM: 3

OPTICAL
Direct illumination
Beam angle 15°/24°/38°
Optical accessories

ELECTRICAL
NON-DIM,
PHASE,
1-10V,
DALI,
BLUETOOTH

PHYSICAL
Aluminum



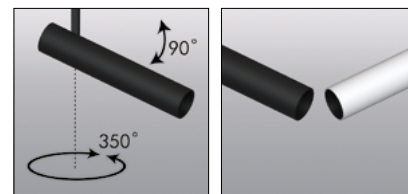
Description

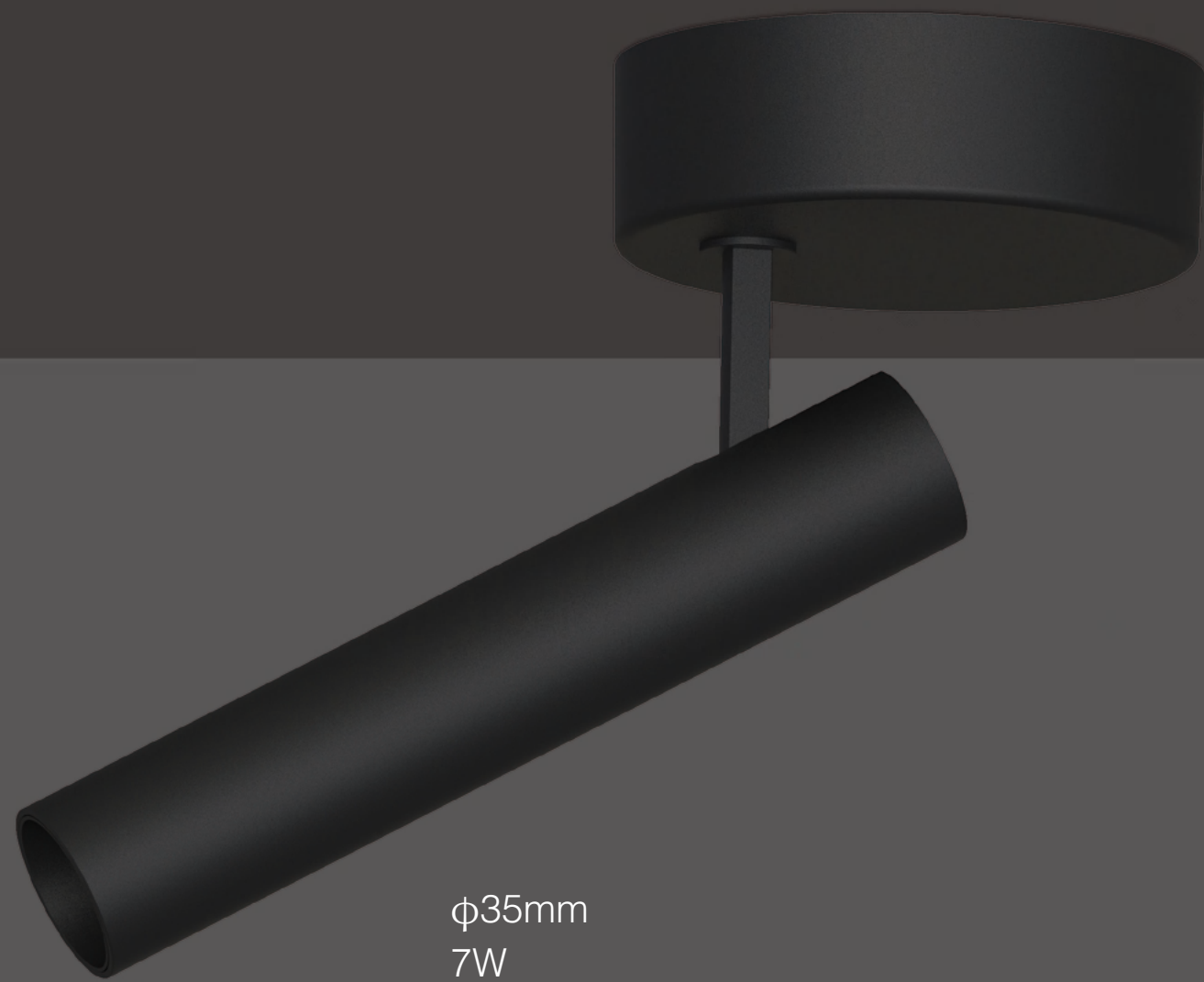
Single head large angle adjustment design, recessed installation, can help you to accurately project light on objects, highlighting a single area or object.

Applications

Hotels, Shopping malls, Restaurants, Bars, Villas, etc.

Features





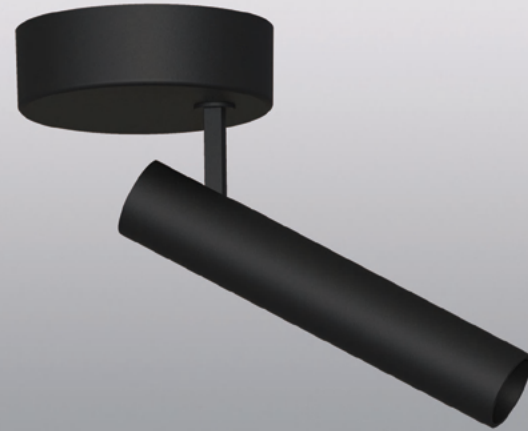
φ35mm
7W
15°/24°/33°



φ50mm
12W
15°/24°/38°

TITAMIA

8353LED



Quickinfo

GENERAL
Surface mounted
IP20

LED
CITIZEN
7W
2700K, 3000K, 4000K, 5000K
50000h@L80
CRI≥90
SDCM: 3

OPTICAL
Direct illumination
Beam angle 15°/24°/33°
Optical accessories

ELECTRICAL
NON-DIM,
PHASE,
1-10V,
DALI,
BLUETOOTH

PHYSICAL
Aluminum



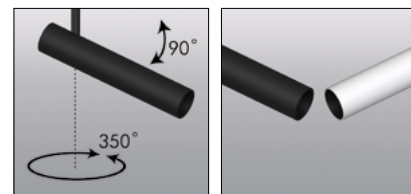
Description

Surface mounted single head large angle adjustment design can help you to accurately project light on objects, highlighting a single area or object.

Applications

Hotels, Shopping malls, Restaurants, Bars, Villas, etc.

Features



Standard configuration

COLOUR TEMPERATURE
2700K
3000K

CONTROL
NON-DIM

OPTICAL
15°/24°/33°

COLOUR(housing)
Black

COLOUR(reflector)
Black

Extended configuration

COLOUR TEMPERATURE
4000K
5000K

CONTROL
DALI, PHASE, 1-10V

COLOUR(housing)
White

Options on request

CONTROL
BLUETOOTH

Parameters

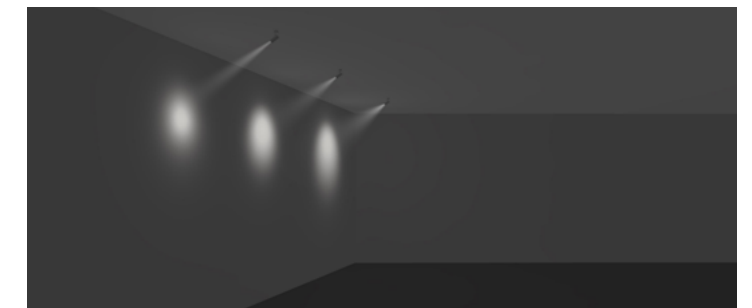
POWER	VF	CURRENT	CCT	LUMINOUS FLUX
7W	36V	150mA	3000K	446~469 lm

Test standards:
Citizen COB, CRI 90, tolerance range of electrical and optical parameters: ±10%.

Light Distribution

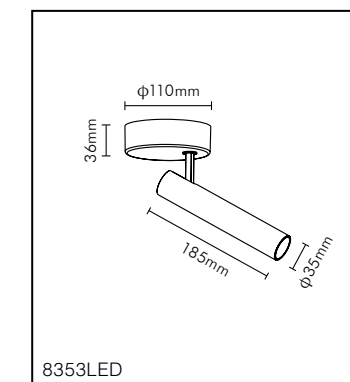
7W 15° 3000K Ra90			7W 24° 3000K Ra90			7W 33° 3000K Ra90		
H(m)	E(lx)	D(m)	H(m)	E(lx)	D(m)	H(m)	E(lx)	D(m)
1	4180	0.24	1	2399	0.38	1	1485	0.54
2	1045	0.48	2	600	0.76	2	371	1.07
3	464	0.72	3	267	1.14	3	165	1.60
4	281	0.96	4	150	1.53	4	93	2.14
5	167	1.19	5	96	1.91	5	59	2.67

Light effect and planning aid



Emphasis of objects or architectural elements.

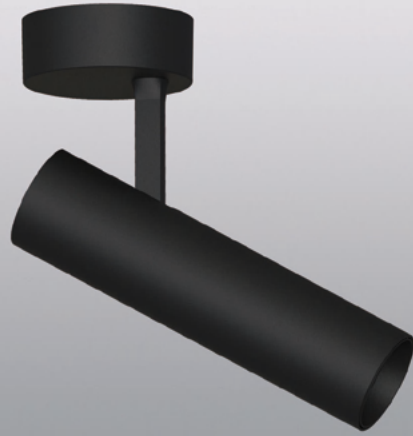
Technical drawing



8353LED

TITAMIA

8502LED



Standard configuration

COLOUR TEMPERATURE
2700K
3000K

CONTROL
NON-DIM

OPTICAL
15°/24°/38°

COLOUR(housing)
Black

COLOUR(reflector)
Black

Extended configuration

COLOUR TEMPERATURE
4000K
5000K

COLOUR(housing)
White

Parameters

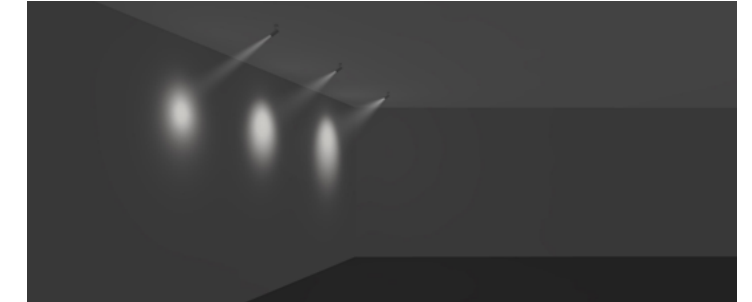
POWER	VF	CURRENT	CCT	LUMINOUS FLUX
12W	31V	350mA	3000K	812~850 lm

Test standards:
Citizen COB, CRI 90, tolerance range of electrical and optical parameters: ±10%.

Light Distribution

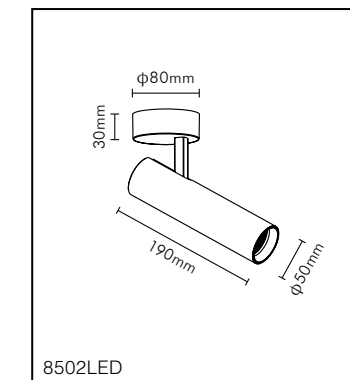
12W 15° 3000K Ra90			12W 24° 3000K Ra90			12W 38° 3000K Ra90		
H(m)	E(lx)	D(m)	H(m)	E(lx)	D(m)	H(m)	E(lx)	D(m)
1	9066	0.25	1	4571	0.42	1	2098	0.67
2	2266	0.50	2	1143	0.85	2	524	1.34
3	1007	0.75	3	508	1.27	3	233	2.01
4	567	1.00	4	286	1.69	4	131	2.67
5	363	1.24	5	183	2.12	5	84	3.34

Light effect and planning aid



Emphasis of objects or architectural elements.

Technical drawing



Quickinfo

GENERAL
Surface mounted
IP20

LED
CITIZEN
12W
2700K, 3000K, 4000K, 5000K
50000h@L80
CRI≥90
SDCM: 3

OPTICAL
Direct illumination
Beam angle 15°/24°/38°
Optical accessories

ELECTRICAL
NON-DIM

PHYSICAL
Aluminum



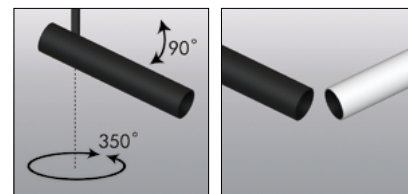
Description

Surface mounted single head large angle adjustment design can help you to accurately project light on objects, highlighting a single area or object.

Applications

Hotels, Shopping malls, Restaurants, Bars, Villas, etc.

Features





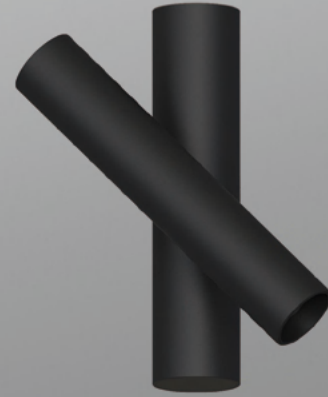
White + Black



Black

TITAMIA

8351LED



Standard configuration

COLOUR TEMPERATURE
2700K
3000K

CONTROL
NON-DIM

OPTICAL
15°/24°/33°

COLOUR(housing)
Black

COLOUR(reflector)
Black

Extended configuration

COLOUR TEMPERATURE
4000K
5000K

CONTROL
DALI, PHASE, 1-10V

COLOUR(housing)
White

Options on request

CONTROL
BLUETOOTH

Parameters

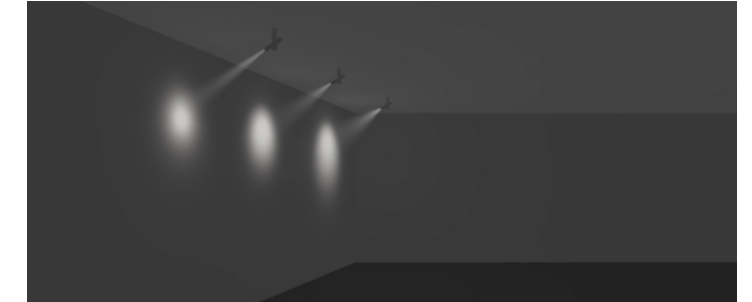
POWER	Vf	CURRENT	CCT	LUMINOUS FLUX
7W	36V	150mA	3000K	446~469 lm

Test standards:
Citizen COB, CRI 90, tolerance range of electrical and optical parameters: ±10%.

Light Distribution

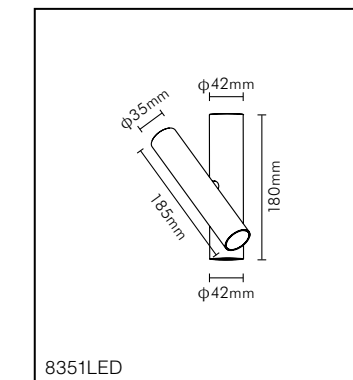
7W 15° 3000K Ra90			7W 24° 3000K Ra90			7W 33° 3000K Ra90		
H(m)	E(lx)	D(m)	H(m)	E(lx)	D(m)	H(m)	E(lx)	D(m)
1	4180	0.24	1	2399	0.38	1	1485	0.54
2	1045	0.48	2	600	0.76	2	371	1.07
3	464	0.72	3	267	1.14	3	165	1.60
4	281	0.96	4	150	1.53	4	93	2.14
5	167	1.19	5	96	1.91	5	59	2.67

Light effect and planning aid



Emphasis of objects or architectural elements.

Technical drawing



8351LED

Quickinfo

GENERAL
Surface mounted
IP20

LED
CITIZEN
7W
2700K, 3000K, 4000K, 5000K
50000h@L80
CRI≥90
SDCM: 3

OPTICAL
Direct illumination
Beam angle 15°/24°/33°
Optical accessories

ELECTRICAL
NON-DIM,
PHASE,
1-10V,
DALI,
BLUETOOTH

PHYSICAL
Aluminum



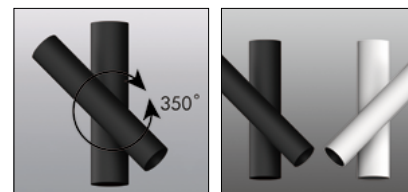
Description

Vertical 350° adjustable angle design, unique cross modeling, so that the space has a different visual experience.

Applications

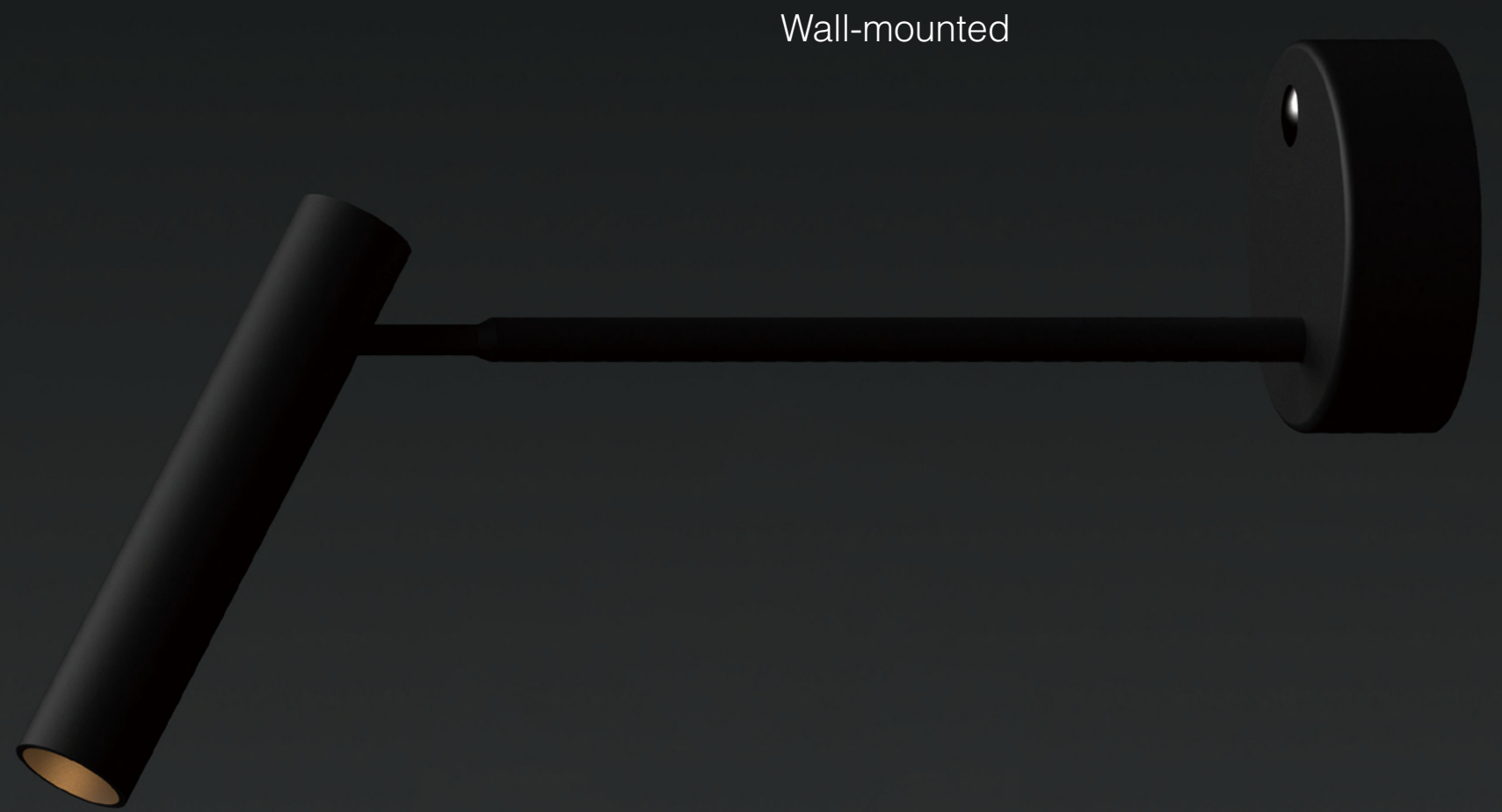
Clubs, Shopping malls, Restaurants, Bars, Villas, etc.

Features





Surface mounted



Wall-mounted

TITAMIA

8352LED



Standard configuration

COLOUR TEMPERATURE
2700K
3000K

CONTROL
NON-DIM

OPTICAL
15°/24°/33°

COLOUR(housing)
Black

COLOUR(reflector)
Black

Extended configuration

COLOUR TEMPERATURE
4000K
5000K

CONTROL
DALI, PHASE, 1-10V

COLOUR(housing)
White

Parameters

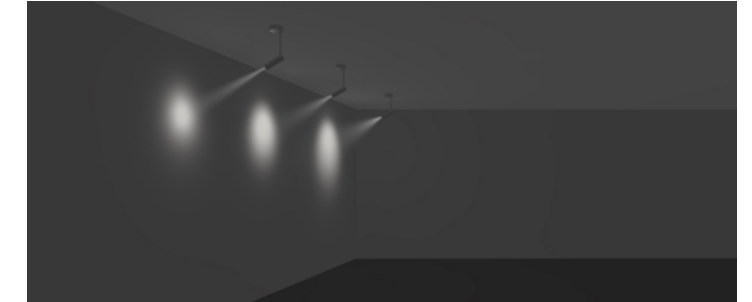
POWER	VF	CURRENT	CCT	LUMINOUS FLUX
7W	36V	150mA	3000K	446~469 lm

Test standards:
Citizen COB, CRI 90, tolerance range of electrical and optical parameters: ±10%.

Light Distribution

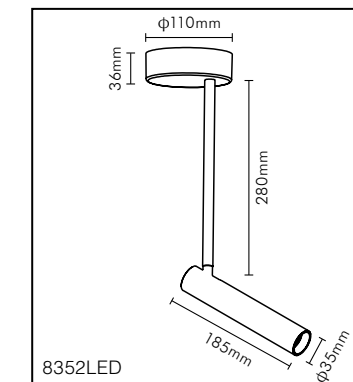
7W 15° 3000K Ra90			7W 24° 3000K Ra90			7W 33° 3000K Ra90		
H(m)	E(lx)	D(m)	H(m)	E(lx)	D(m)	H(m)	E(lx)	D(m)
1	4180	0.24	1	2399	0.38	1	1485	0.54
2	1045	0.48	2	600	0.76	2	371	1.07
3	464	0.72	3	267	1.14	3	165	1.60
4	281	0.96	4	150	1.53	4	93	2.14
5	167	1.19	5	96	1.91	5	59	2.67

Light effect and planning aid



Emphasis of objects or architectural elements.

Technical drawing



Quickinfo

GENERAL
Surface mounted
IP20

LED
CITIZEN
7W
2700K, 3000K, 4000K, 5000K
50000h@L80
CRI≥90
SDCM: 3

OPTICAL
Direct illumination
Beam angle 15°/24°/33°
Optical accessories

ELECTRICAL
NON-DIM,
PHASE,
1-10V,
DALI

PHYSICAL
Aluminum



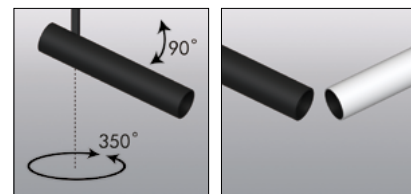
Description

Slim shape, slender arm and surface installation make the space particularly striking.

Applications

Clubs, Shopping malls, Restaurants, Bars, Villas, etc.

Features



TITAMIA

4353LED



Standard configuration

COLOUR TEMPERATURE
2700K
3000K

CONTROL
NON-DIM

OPTICAL
15°/24°/33°

COLOUR(housing)
Black

COLOUR(reflector)
Black

Extended configuration

COLOUR TEMPERATURE
4000K
5000K

CONTROL
DALI, PHASE, 1-10V

COLOUR(housing)
White

Parameters

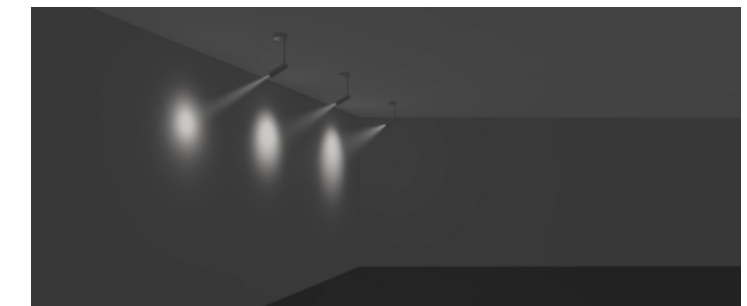
POWER	VF	CURRENT	CCT	LUMINOUS FLUX
7W	36V	150mA	3000K	446~469 lm

Test standards:
Citizen COB, CRI 90, tolerance range of electrical and optical parameters: ±10%.

Light Distribution

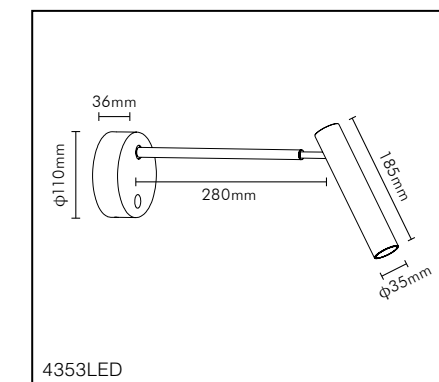
7W 15° 3000K Ra90			7W 24° 3000K Ra90			7W 33° 3000K Ra90		
H(m)	E(lx)	D(m)	H(m)	E(lx)	D(m)	H(m)	E(lx)	D(m)
1	4180	0.24	1	2399	0.38	1	1485	0.54
2	1045	0.48	2	600	0.76	2	371	1.07
3	464	0.72	3	267	1.14	3	165	1.60
4	281	0.96	4	150	1.53	4	93	2.14
5	167	1.19	5	96	1.91	5	59	2.67

Light effect and planning aid



Emphasis of objects or architectural elements.

Technical drawing



Quickinfo

GENERAL
Wall-mounted
IP20

LED
CITIZEN
7W
2700K, 3000K, 4000K, 5000K
50000h@L80
CRI≥90
SDCM: 3

OPTICAL
Direct illumination
Beam angle 15°/24°/33°
Optical accessories

ELECTRICAL
NON-DIM,
PHASE,
1-10V,
DALI

PHYSICAL
Aluminum



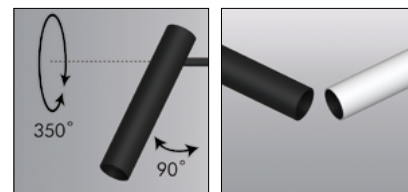
Description

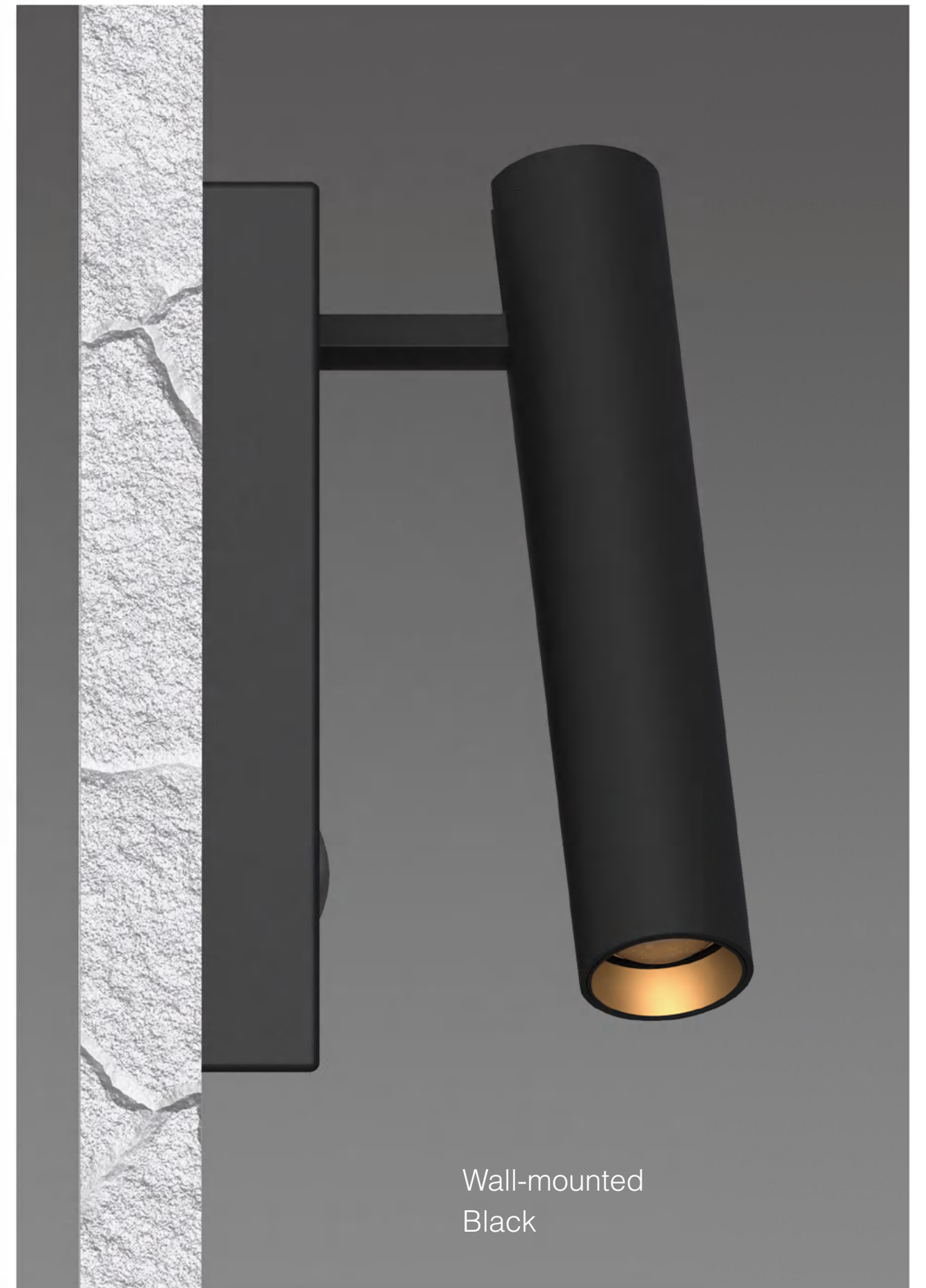
Slim shape, slender arm, surface mounted installation, with switch function, suitable for using as reading lamp.

Applications

Clubs, Hotels, Villas, Residences, etc.

Features





TITAMIA

4352LED



Standard configuration

COLOUR TEMPERATURE
2700K
3000K

CONTROL
NON-DIM

OPTICAL
15°/24°/33°

COLOUR(housing)
Black

COLOUR(reflector)
Black

Parameters

POWER	VF	CURRENT	CCT	LUMINOUS FLUX
7W	36V	150mA	3000K	446~469 lm

Test standards:
Citizen COB, CRI 90, tolerance range of electrical and optical parameters: ±10%.

Light Distribution

7W 15° 3000K Ra90			7W 24° 3000K Ra90			7W 33° 3000K Ra90		
H(m)	E(lx)	D(m)	H(m)	E(lx)	D(m)	H(m)	E(lx)	D(m)
1	4180	0.24	1	2399	0.38	1	1485	0.54
2	1045	0.48	2	600	0.76	2	371	1.07
3	464	0.72	3	267	1.14	3	165	1.60
4	281	0.96	4	150	1.53	4	93	2.14
5	167	1.19	5	96	1.91	5	59	2.67

Extended configuration

COLOUR TEMPERATURE
4000K
5000K

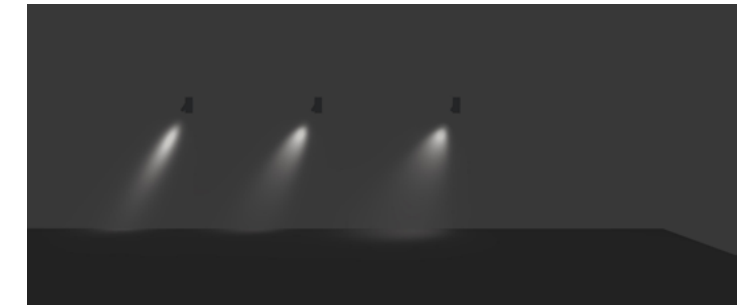
CONTROL
DALI, PHASE, 1-10V

COLOUR(housing)
White

Options on request

CONTROL
BLUETOOTH

Light effect and planning aid



Emphasis of objects or architectural elements.

Quickinfo

GENERAL
Recessed
IP20

LED
CITIZEN
7W
2700K, 3000K, 4000K, 5000K
50000h@L80
CRI≥90
SDCM: 3

OPTICAL
Direct illumination
Beam angle 15°/24°/33°
Optical accessories

ELECTRICAL
NON-DIM,
PHASE,
1-10V,
DALI,
BLUETOOTH

PHYSICAL
Aluminum



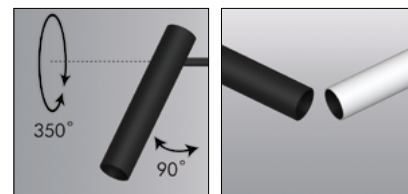
Description

Vertical 350° adjustable angle design, recessed installation, with switch function, suitable for using as reading lamp.

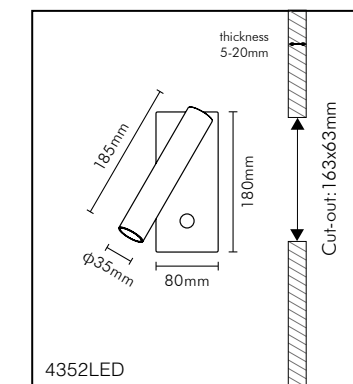
Applications

Clubs, Hotels, Villas, Residences, etc.

Features



Technical drawing



TITAMIA

4351LED



Standard configuration

COLOUR TEMPERATURE
2700K
3000K

CONTROL
NON-DIM

OPTICAL
15°/24°/33°

COLOUR(housing)
Black

COLOUR(reflector)
Black

Parameters

POWER	VF	CURRENT	CCT	LUMINOUS FLUX
7W	36V	150mA	3000K	446~469 lm

Test standards:
Citizen COB, CRI 90, tolerance range of electrical and optical parameters: ±10%.

Light Distribution

7W 15° 3000K Ra90			7W 24° 3000K Ra90			7W 33° 3000K Ra90		
H(m)	E(lx)	D(m)	H(m)	E(lx)	D(m)	H(m)	E(lx)	D(m)
1	4180	0.24	1	2399	0.38	1	1485	0.54
2	1045	0.48	2	600	0.76	2	371	1.07
3	464	0.72	3	267	1.14	3	165	1.60
4	281	0.96	4	150	1.53	4	93	2.14
5	167	1.19	5	96	1.91	5	59	2.67

Extended configuration

COLOUR TEMPERATURE
4000K
5000K

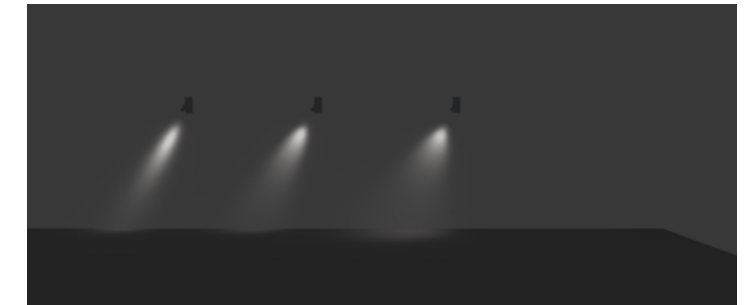
CONTROL
DALI, PHASE, 1-10V

COLOUR(housing)
White

Options on request

CONTROL
BLUETOOTH

Light effect and planning aid



Emphasis of objects or architectural elements.

Quickinfo

GENERAL
Wall-mounted
IP20

LED
CITIZEN
7W
2700K, 3000K, 4000K, 5000K
50000h@L80
CRI≥90
SDCM: 3

OPTICAL
Direct illumination
Beam angle 15°/24°/33°
Optical accessories

ELECTRICAL
NON-DIM,
PHASE,
1-10V,
DALI,
BLUETOOTH

PHYSICAL
Aluminum



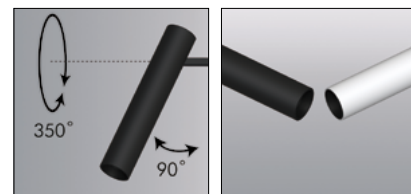
Description

Vertical 350° adjustable angle design, surface mounted installation, with switch function, suitable for using as reading lamp.

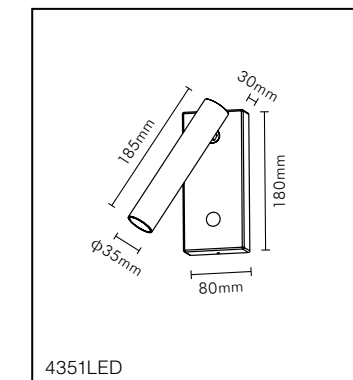
Applications

Clubs, Hotels, Villas, Residences, etc.

Features




Technical drawing

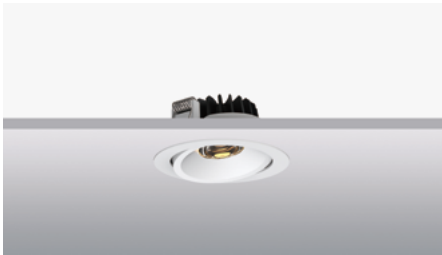



4351LED


ABBA


Adjustable		1902LED..... 838
------------	---	------------------

Fixed		1802LED..... 844
-------	---	------------------

Adjustable		1922LED..... 846
------------	--	------------------

Stretchable adjustable		1941LED..... 852
------------------------	---	------------------

Square		W017LED..... ^{Trimless} 858 O17LED..... ^{Trim} 858
--------	---	---

Rectangle		W018LED..... ^{Trimless} 862 O18LED..... ^{Trim} 862
-----------	---	---

GAMME ABBA

ABBA COB downlight range is specially conceived for false ceilings with limited installation space. A practical and versatile spotlight with an IP44 rating protection against dust and splashing water, is suitable to be used in a wealth of applications.

Feature: Small cut-out, low height.

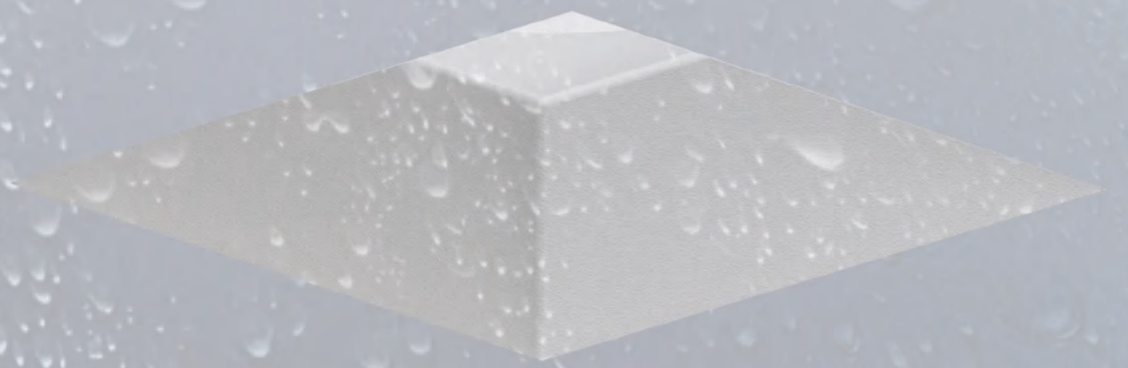
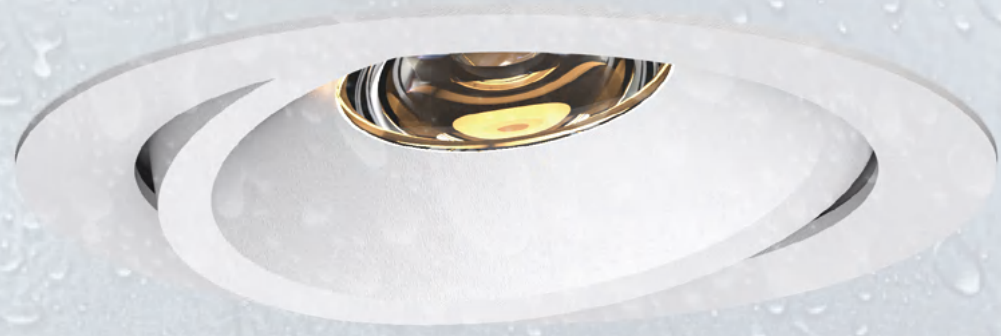
Fixed / adjustable / trimmed / trimless performance available

Vertical adjustable design perform the excellent glare control to ensure visual comfort.

Optics: Lens

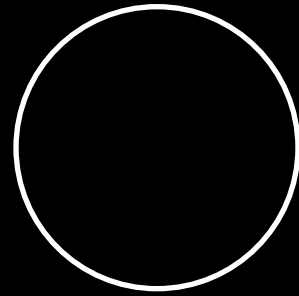
Material: Aluminum frame & Heatsink



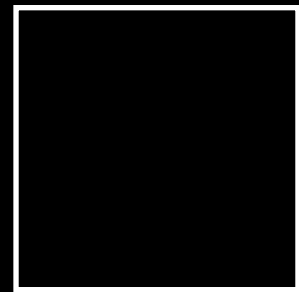


Type

round



square

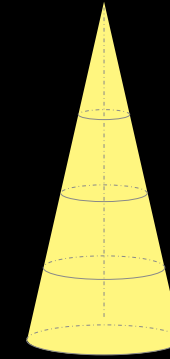


rectangle

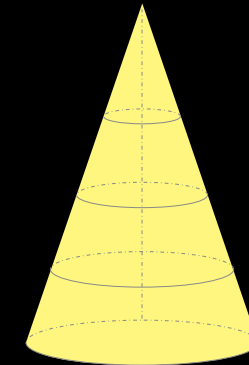


Optical

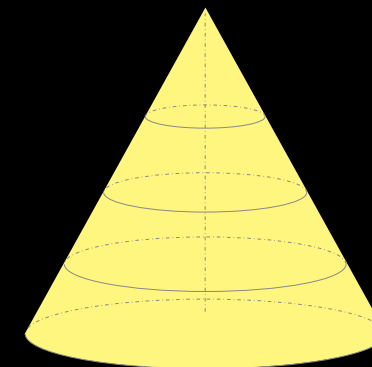
med.



flood



wide flood



ABBA

1902LED



Standard configuration

COLOUR TEMPERATURE
2700K
3000K

CONTROL
Non DIM

OPTICAL
25°/38°

COLOUR(housing)
Black+White

COLOUR(reflector)
Specular

Extended configuration

COLOUR TEMPERATURE
4000K
5000K

CONTROL
DALI, PHASE, 1-10V

Options on request

CONTROL
Bluetooth

Parameters

POWER	VF	CURRENT	CCT	LUMINOUS FLUX
8W	36V	200mA	2700K	549~612 lm
			3000K	560~616 lm
10W	36V	250mA	2700K	646~716 lm
			3000K	691~760 lm

Test standards:
Citizen COB, CRI 90, tolerance range of electrical and optical parameters: ±10%.

Light Distribution

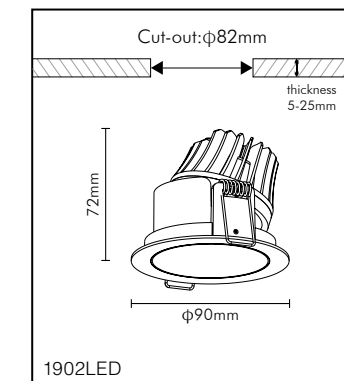
10W 25° 3000K Ra90			10W 38° 3000K Ra90		
H(m)	E(lx)	D(m)	H(m)	E(lx)	D(m)
1	2353	0.47	1	1850	0.65
2	588	0.95	2	462	1.29
3	262	1.42	3	206	1.93
4	147	1.89	4	116	2.58
5	94	2.36	5	74	3.22

Light effect and planning aid



Emphasis of objects or architectural elements. Wide-beam illumination of larger objects or spatial zones.

Mounting dimension



Quickinfo

General
Recessed
IP20~IP44

LED
CITIZEN
8W, 10W
2700K, 3000K, 4000K, 5000K
50000h@L80
CRI≥90
SDCM: 3

OPTICAL
Direct illumination
Beam angle 25°/38°
Optical accessories

ELECTRICAL
Non DIM,
PHASE,
1-10V,
DALI,
Bluetooth

PHYSICAL
Aluminum



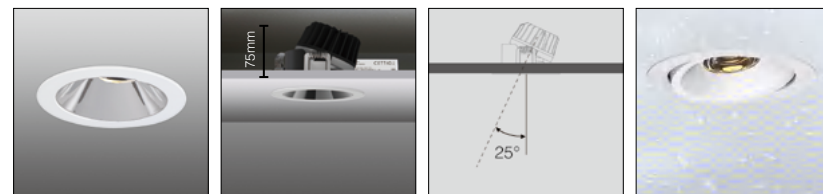
Description

The lamp efficiency is greatly improved and more luminous flux and higher illuminance are provided by using high efficiency lighting technology.

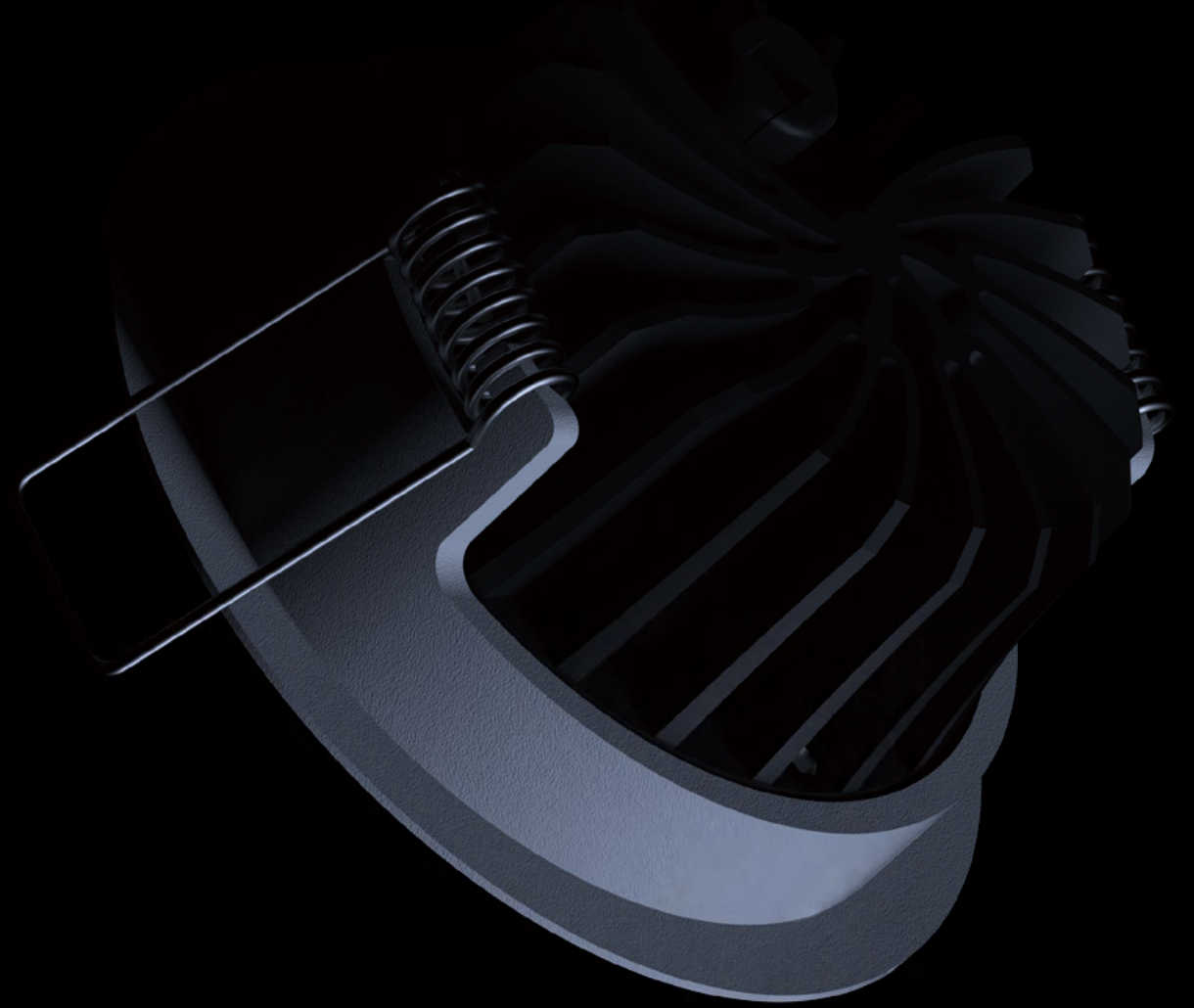
Applications

Hotel guestrooms, Supermarkets, Residential buildings, Fancy stores, etc.

Features







ABBA

1802LED



Standard configuration

COLOUR TEMPERATURE
2700K
3000K

CONTROL
Non DIM

OPTICAL
25°/38°/60°

COLOUR(housing)
Black+White

COLOUR(reflector)
White

Extended configuration

COLOUR TEMPERATURE
4000K
5000K

CONTROL
DALI, PHASE, 1-10V

Options on request

CONTROL
Bluetooth

Parameters

POWER	VF	CURRENT	CCT	LUMINOUS FLUX
8W	36V	200mA	2700K 3000K	628~691 lm 630~700 lm
10W	36V	250mA	2700K 3000K	746~853 lm 809~887 lm

Test standards:
Citizen COB, CRI 90, tolerance range of electrical and optical parameters: ±10%.

Light Distribution

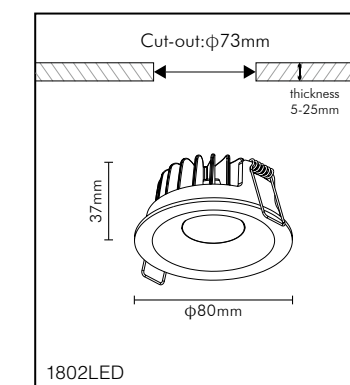
10W 25° 3000K Ra90			10W 38° 3000K Ra90			10W 60° 3000K Ra90		
H(m)	E(lx)	D(m)	H(m)	E(lx)	D(m)	H(m)	E(lx)	D(m)
1	2373	0.47	1	1867	0.65	1	844	1.07
2	593	0.94	2	467	1.30	2	211	2.14
3	264	1.41	3	207	1.95	3	94	3.20
4	148	1.88	4	117	2.60	4	53	4.27
5	95	2.34	5	75	3.25	5	34	5.34

Light effect and planning aid



Emphasis of objects or architectural elements. Wide-beam illumination of larger objects or spatial zones.

Mounting dimension



Quickinfo

General
Recessed
IP20~IP44

LED
CITIZEN
8W, 10W
2700K, 3000K, 4000K, 5000K
50000h@L80
CRI≥90
SDCM: 3

OPTICAL
Direct illumination
Beam angle 25°/38°/60°
Optical accessories

ELECTRICAL
Non DIM,
PHASE,
1-10V,
DALI,
Bluetooth

PHYSICAL
Aluminum



Description

The ultra-thin shape design allows the lamp suitable for the general lighting in the low ceiling space.

Applications

Hotel guestrooms, Supermarkets, Residential buildings, Fancy stores, etc.

Features



ABBA

1922LED



Standard configuration

COLOUR TEMPERATURE
2700K
3000K

CONTROL
Non DIM

OPTICAL
25°/38°/60°

COLOUR(housing)
Black+White

COLOUR(reflector)
White

Extended configuration

COLOUR TEMPERATURE
4000K
5000K

CONTROL
DALI, PHASE, 1-10V

Options on request

CONTROL
Bluetooth

Parameters

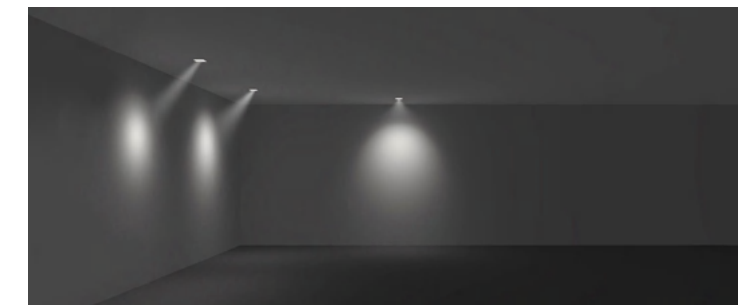
POWER	VF	CURRENT	CCT	LUMINOUS FLUX
8W	36V	200mA	2700K 3000K	628~691 lm 630~700 lm
10W	36V	250mA	2700K 3000K	746~853 lm 809~887 lm

Test standards:
Citizen COB, CRI 90, tolerance range of electrical and optical parameters: ±10%.

Light Distribution

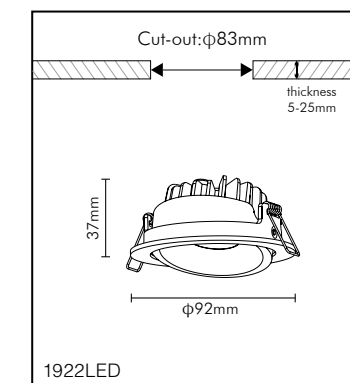
10W 25° 3000K Ra90			10W 38° 3000K Ra90			10W 60° 3000K Ra90		
H(m)	E(lx)	D(m)	H(m)	E(lx)	D(m)	H(m)	E(lx)	D(m)
1	2373	0.47	1	1867	0.65	1	844	1.07
2	593	0.94	2	467	1.30	2	211	2.14
3	264	1.41	3	207	1.95	3	94	3.20
4	148	1.88	4	117	2.60	4	53	4.27
5	95	2.34	5	75	3.25	5	34	5.34
HEIGHT	ILLUMINANCE	DIAMETER	HEIGHT	ILLUMINANCE	DIAMETER	HEIGHT	ILLUMINANCE	DIAMETER

Light effect and planning aid



Emphasis of objects or architectural elements. Wide-beam illumination of larger objects or spatial zones.

Mounting dimension



Quickinfo

General
Recessed
IP20~IP44

LED
CITIZEN
8W, 10W
2700K, 3000K, 4000K, 5000K
50000h@L80
CRI≥90
SDCM: 3

OPTICAL
Direct illumination
Beam angle 25°/38°/60°
Optical accessories

ELECTRICAL
Non DIM,
PHASE,
1-10V,
DALI,
Bluetooth

PHYSICAL
Aluminum



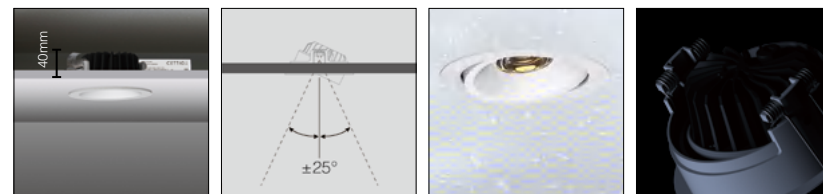
Description

The ultra-thin shape and adjustable angle design are suitable for the accent lighting of low ceiling space.

Applications

Hotel guestrooms, Supermarkets, Residential buildings, Fancy stores, etc.

Features







ABBA

1941LED



Standard configuration

COLOUR TEMPERATURE
2700K
3000K

CONTROL
Non DIM

OPTICAL
25°/38°/60°

COLOUR(housing)
Black+White

COLOUR(reflector)
White

Extended configuration

COLOUR TEMPERATURE
4000K
5000K

CONTROL
DALI, PHASE, 1-10V

Options on request

CONTROL
Bluetooth

Parameters

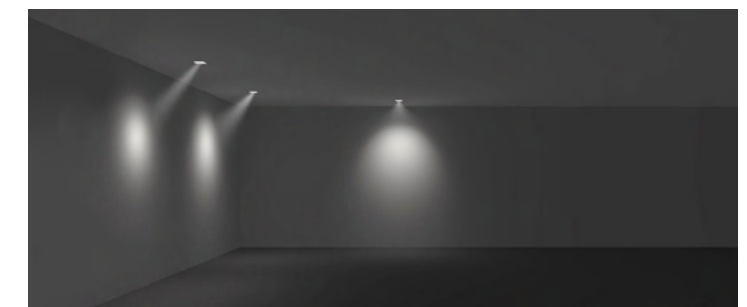
POWER	VF	CURRENT	CCT	LUMINOUS FLUX
8W	36V	200mA	2700K 3000K	628~691 lm 630~700 lm
10W	36V	250mA	2700K 3000K	746~853 lm 809~887 lm

Test standards:
Citizen COB, CRI 90, tolerance range of electrical and optical parameters: ±10%.

Light Distribution

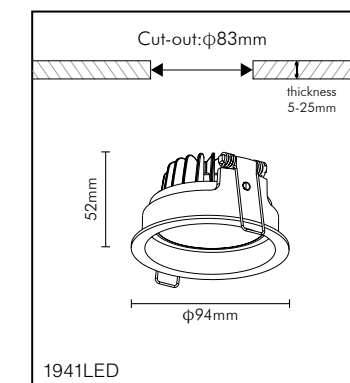
10W 25° 3000K Ra90			10W 38° 3000K Ra90			10W 60° 3000K Ra90		
H(m)	E(lx)	D(m)	H(m)	E(lx)	D(m)	H(m)	E(lx)	D(m)
1	2373	0.47	1	1867	0.65	1	844	1.07
2	593	0.94	2	467	1.30	2	211	2.14
3	264	1.41	3	207	1.95	3	94	3.20
4	148	1.88	4	117	2.60	4	53	4.27
5	95	2.34	5	75	3.25	5	34	5.34

Light effect and planning aid



Emphasis of objects or architectural elements. Wide-beam illumination of larger objects or spatial zones.

Mounting dimension



Quickinfo

General
Recessed
IP20~IP44

LED
CITIZEN
8W, 10W
2700K, 3000K, 4000K, 5000K
50000h@L80
CRI≥90
SDCM: 3

OPTICAL
Direct illumination
Beam angle 25°/38°/60°
Optical accessories

ELECTRICAL
Non DIM,
PHASE,
1-10V,
DALI,
Bluetooth

PHYSICAL
Aluminum



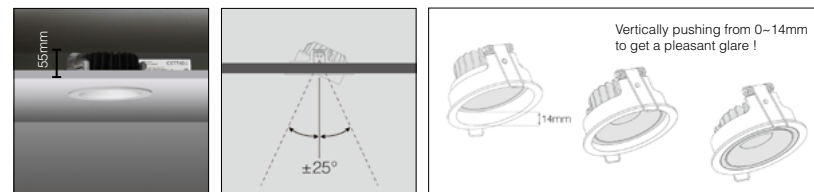
Description

The design of stretchable structure can effectively hide the light source and reduce glare.

Applications

Hotel guestrooms, Supermarkets, Residential buildings, Fancy stores, etc.

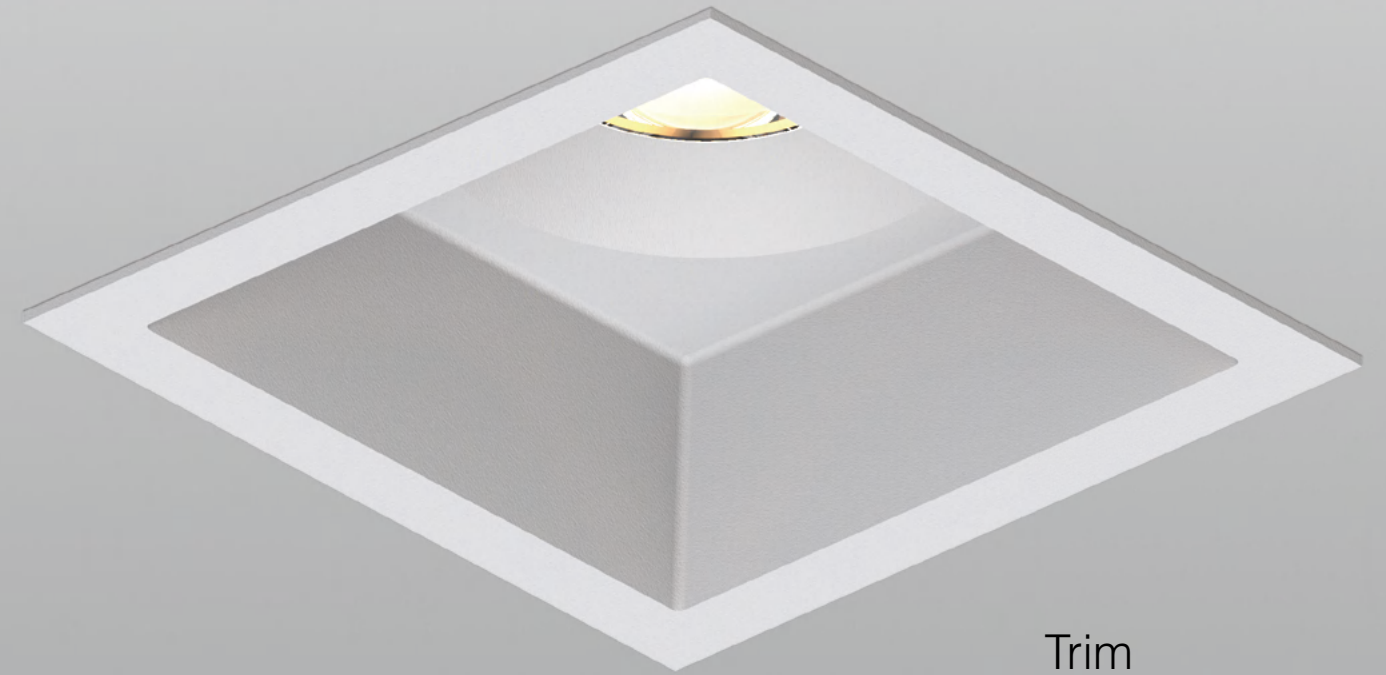
Features







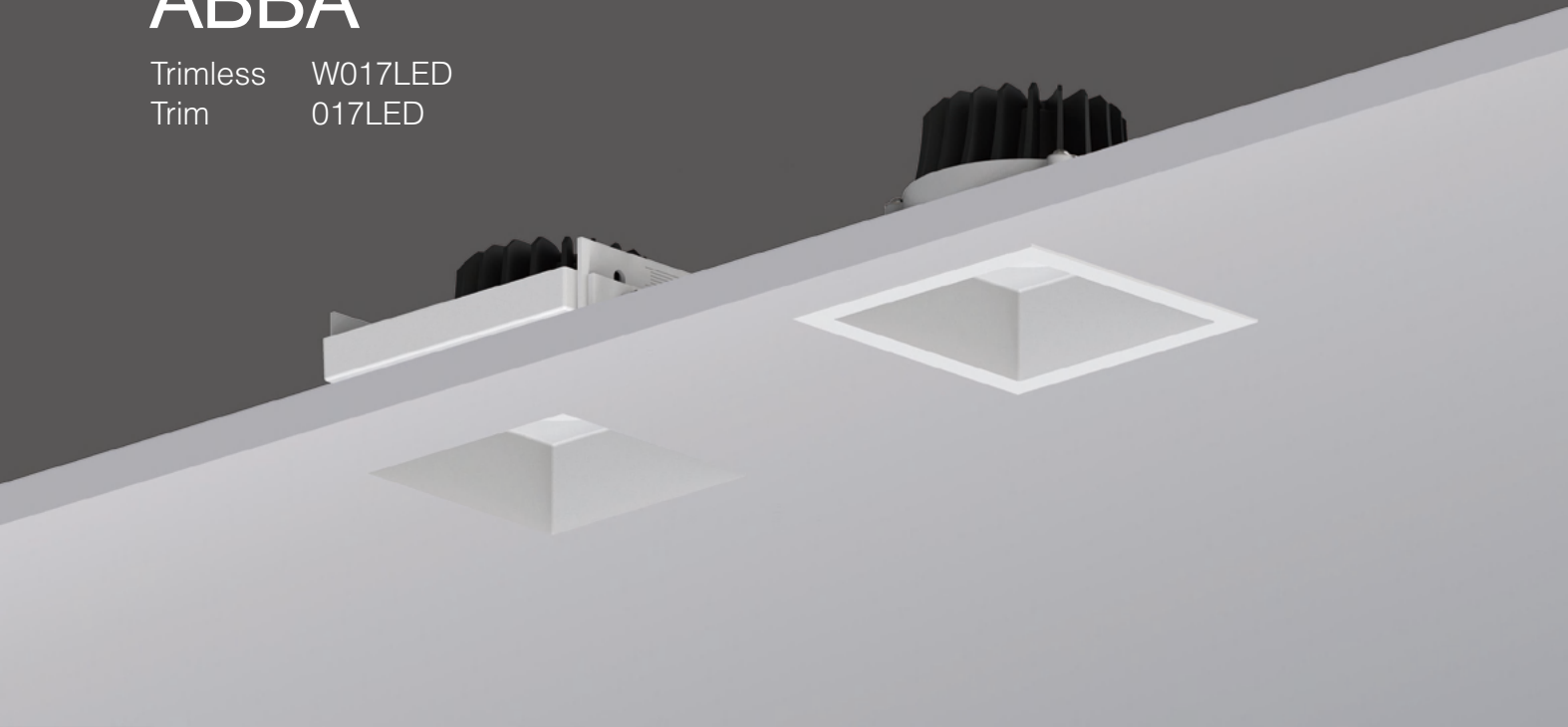
Trimless



Trim

ABBA

Trimless W017LED
Trim 017LED



Quickinfo

General
Recessed
IP20~IP44

LED
CITIZEN
8W, 10W
2700K, 3000K, 4000K, 5000K
50000h@L80
CRI≥90
SDCM: 3

OPTICAL
Direct illumination
Beam angle 25°/38°/60°
Optical accessories

ELECTRICAL
Non DIM,
PHASE,
1-10V,
DALI,
Bluetooth

PHYSICAL
Aluminum



Description

The unique single head square design makes lighting and the ceiling have more outstanding coordination, which can help you make more excellent designs.

Applications

Hotel guestrooms, Supermarkets, Residential buildings, Fancy stores, etc.

Features



Standard configuration

COLOUR TEMPERATURE
2700K
3000K

CONTROL
Non DIM

OPTICAL
25°/38°/60°

COLOUR(housing)
Black+White

COLOUR(reflector)
White

Extended configuration

COLOUR TEMPERATURE
4000K
5000K

CONTROL
DALI, PHASE, 1-10V

Options on request

CONTROL
Bluetooth

Parameters

POWER	VF	CURRENT	CCT	LUMINOUS FLUX
8W	36V	200mA	2700K 3000K	598~652 lm 637~695 lm
10W	36V	250mA	2700K 3000K	755~795 lm 802~872 lm

Test standards:
Citizen COB, CRI 90, tolerance range of electrical and optical parameters: ±10%.

Light Distribution

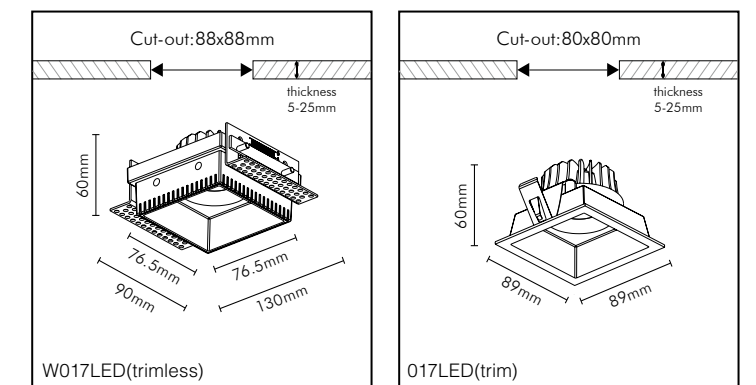
10W 25° 3000K Ra90			10W 38° 3000K Ra90			10W 60° 3000K Ra90		
H(m)	E(lx)	D(m)	H(m)	E(lx)	D(m)	H(m)	E(lx)	D(m)
1	2391	0.48	1	1915	0.64	1	842	1.09
2	598	0.96	2	479	1.29	2	211	2.18
3	266	1.44	3	213	1.93	3	94	3.28
4	149	1.92	4	120	2.57	4	53	4.37
5	96	2.39	5	77	3.22	5	34	5.46
HEIGHT	ILLUMINANCE	DIAMETER	HEIGHT	ILLUMINANCE	DIAMETER	HEIGHT	ILLUMINANCE	DIAMETER

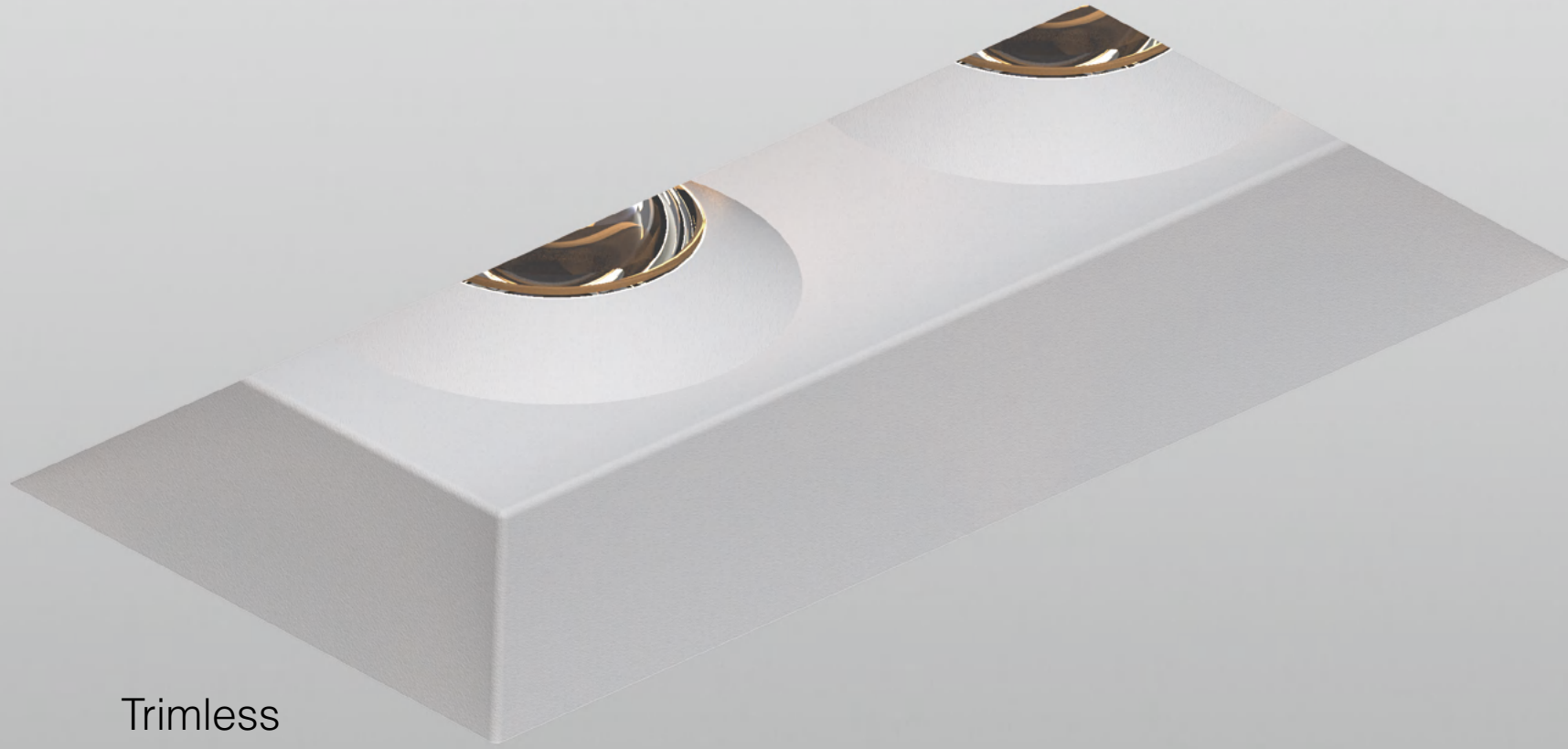
Light effect and planning aid



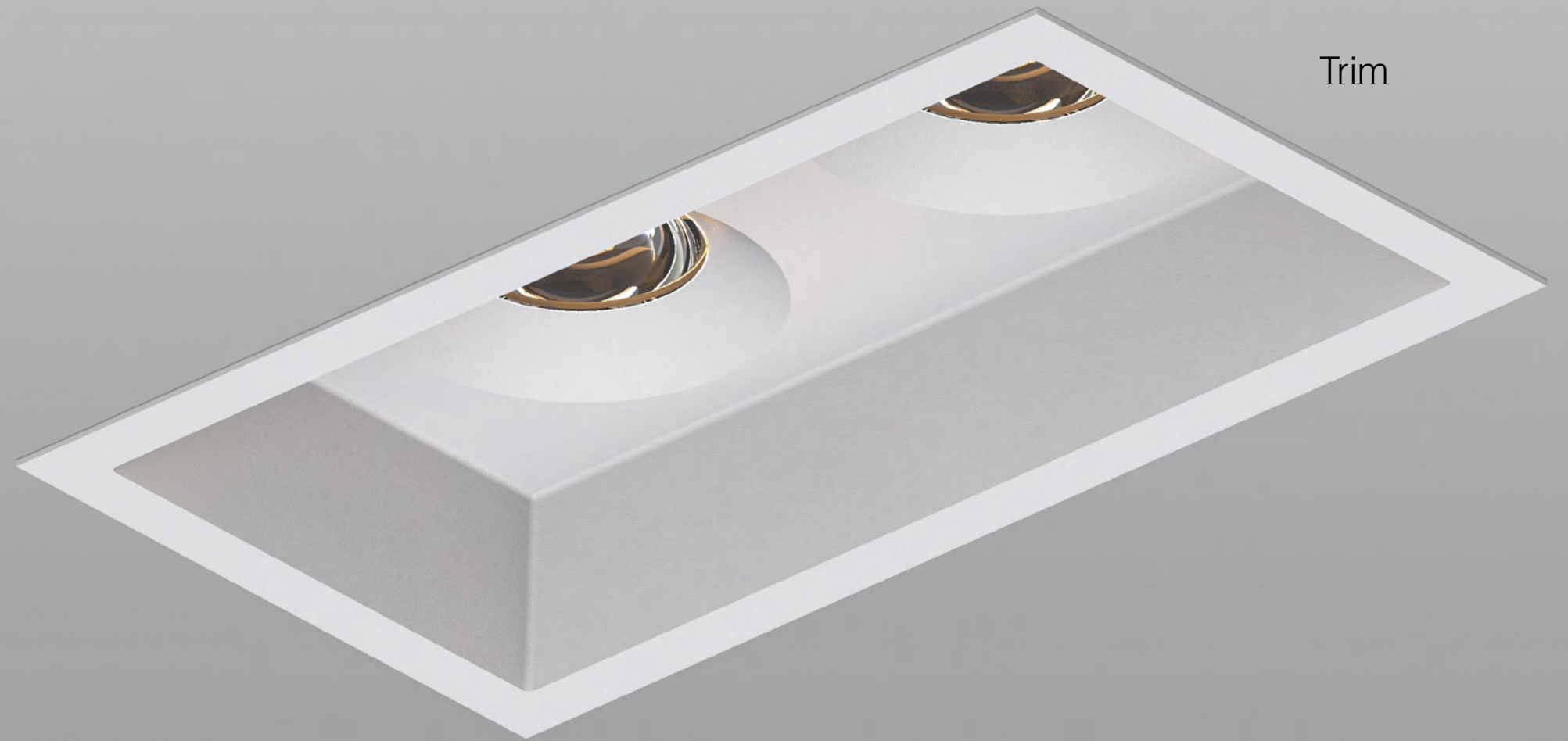
Emphasis of objects or architectural elements. Wide-beam illumination of larger objects or spatial zones.

Mounting dimension





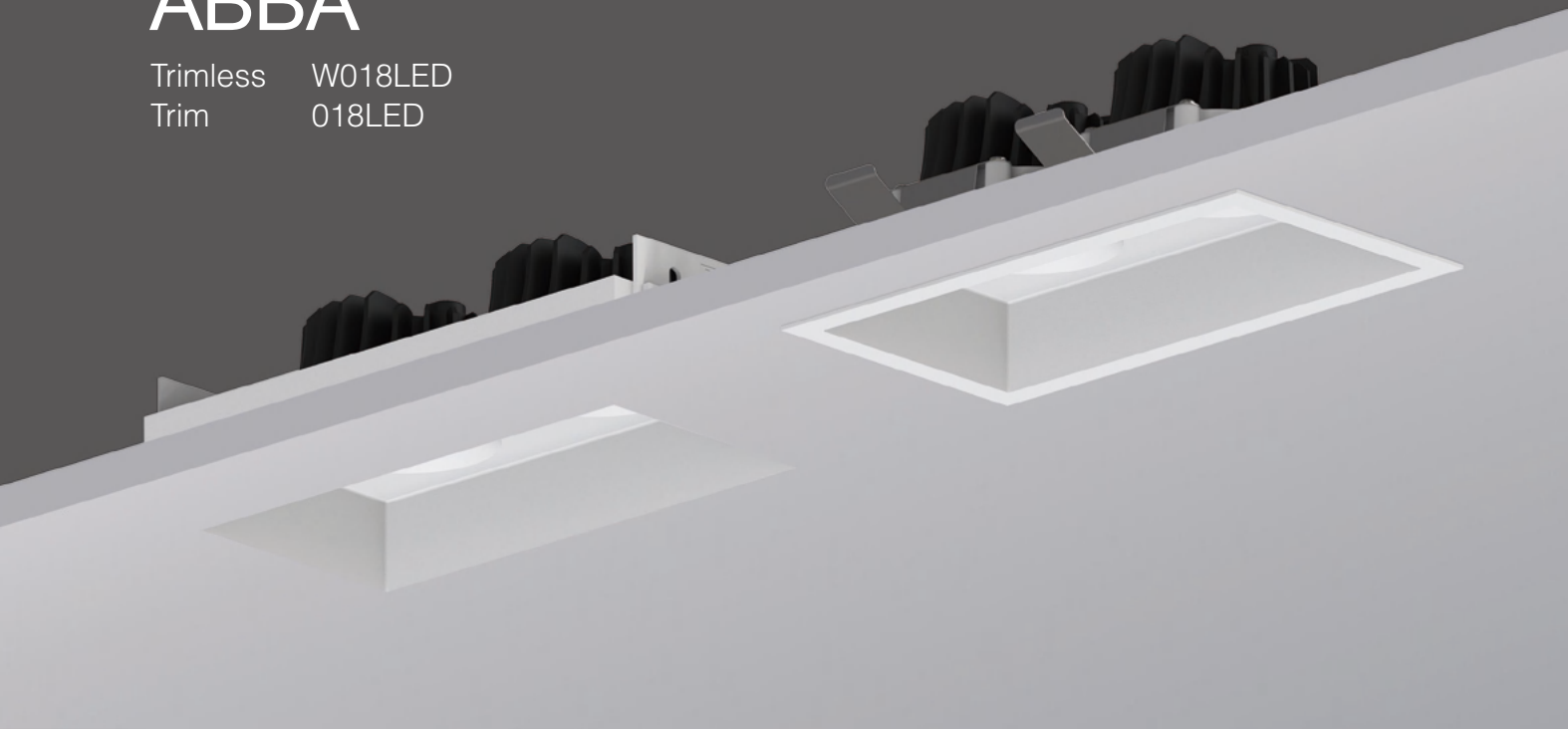
Trimless



Trim

ABBA

Trimless W018LED
Trim 018LED



Quickinfo

General
Recessed
IP20~IP44

LED
CITIZEN
2x8W, 2x10W
2700K, 3000K, 4000K, 5000K
50000h@L80
CRI≥90
SDCM: 3

OPTICAL
Direct illumination
Beam angle 25°/38°/60°
Optical accessories

ELECTRICAL
Non DIM,
PHASE,
1-10V,
DALI,
Bluetooth

PHYSICAL
Aluminum



Description

The double head direct lighting design can provide more luminous flux, which is suitable for places with high ceiling.

Applications

Hotel guestrooms, Supermarkets, Residential buildings, Fancy stores, etc.

Features



Standard configuration

COLOUR TEMPERATURE
2700K
3000K

CONTROL
Non DIM

OPTICAL
25°/38°/60°

COLOUR(housing)
Black+White

COLOUR(reflector)
White

Extended configuration

COLOUR TEMPERATURE
4000K
5000K

CONTROL
DALI, PHASE, 1-10V

Options on request

CONTROL
Bluetooth

Parameters

POWER	VF	CURRENT	CCT	LUMINOUS FLUX
2x8W	36V	200mA	2700K 3000K	1290~1364 lm 1291~1407 lm
2x10W	36V	250mA	2700K 3000K	1585~1660 lm 1623~1770 lm

Test standards:
Citizen COB, CRI 90, tolerance range of electrical and optical parameters: ±10%.

Light Distribution

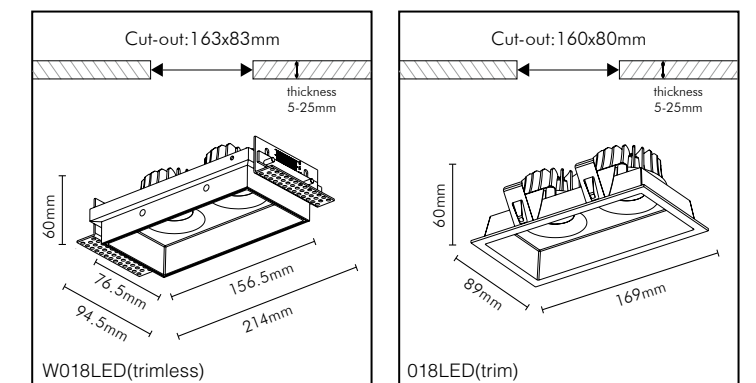
2x10W 25° 3000K Ra90			2x10W 38° 3000K Ra90			2x10W 60° 3000K Ra90		
H(m)	E(lx)	D(m)	H(m)	E(lx)	D(m)	H(m)	E(lx)	D(m)
3	529	1.44	3	401	1.99	3	193	3.19
4	298	1.92	4	226	2.65	4	108	4.26
5	191	2.40	5	144	3.31	5	69	5.32
6	132	2.88	6	100	3.97	6	48	6.39
7	97	3.35	7	74	4.64	7	35	7.45

Light effect and planning aid



Emphasis of objects or architectural elements. Wide-beam illumination of larger objects or spatial zones.

Mounting dimension





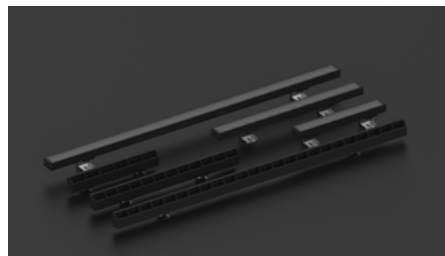
VENERE



Flexible strip 870



Super flexible strip 878



Wall washer 886



Flexible strip



Description

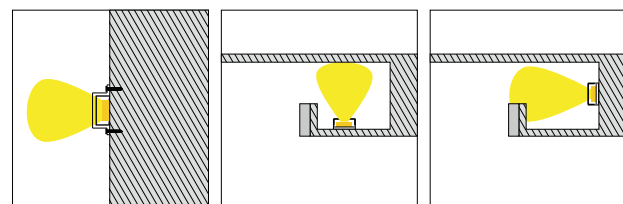
High-quality, high efficiency chip.
Clear cutting mark, convenience for cutting and positioning.
Good color consistency, uniform and soft light, no spot.
The ultra-thin FPC is used as the base plate, which can be installed flexibly.
Low current, low power consumption, energy saving and beautiful.
Small size, concealed installation.

Applications

Display counters; space lighting for villas, hotels, shopping malls, office buildings, leisure places etc.; decorative outline lighting.

4.8W/M for lighting in middle and lower section of space;
9.6W/M and 14.4W/M for lighting in middle and upper section of space, ceiling groove.

Features

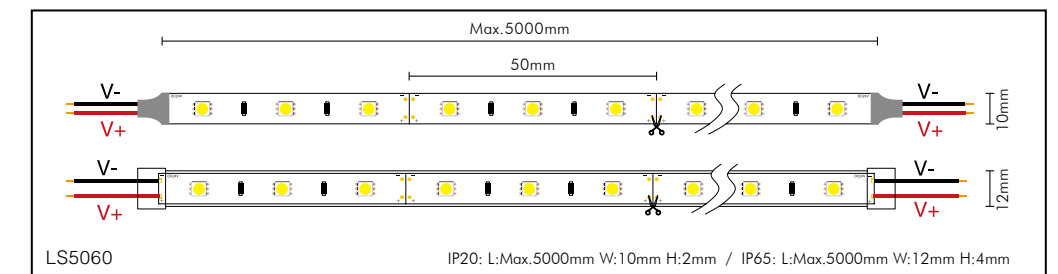
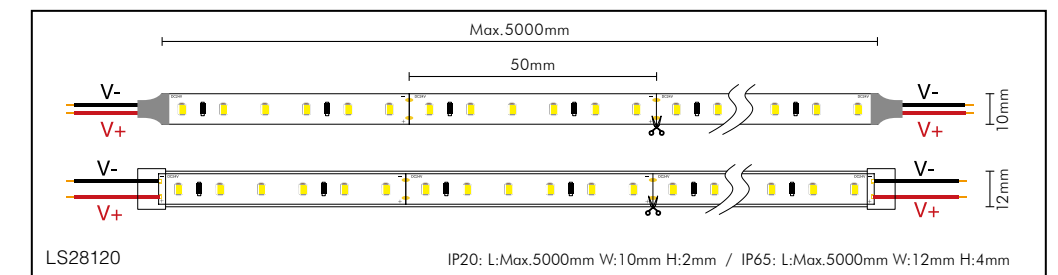
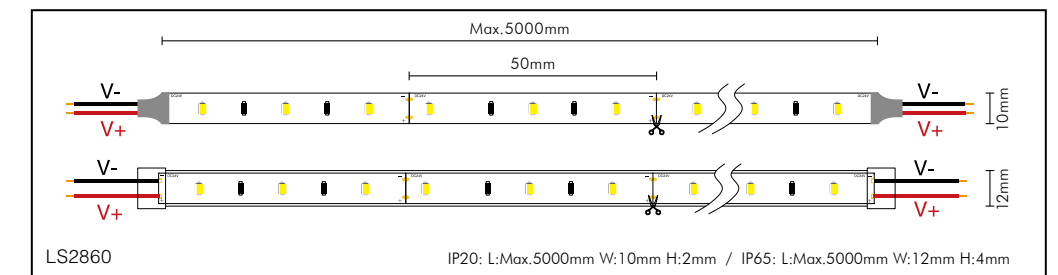


Parameters

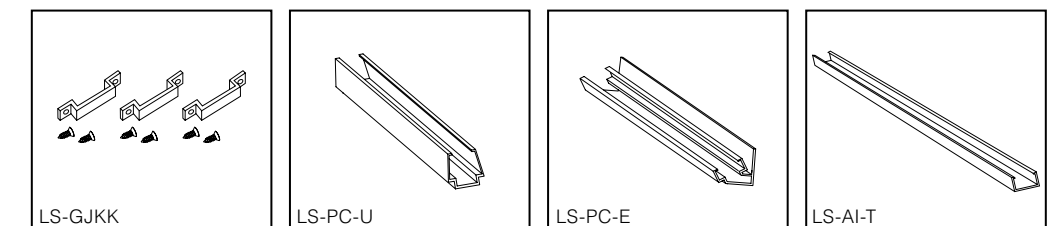
Model	DC INPUT	TYPE	POWER	IP	LUMINOUS FLUX
LS2860	24V	60D/m	4.8 W/m	20	336 lm/m
			9.6 W/m	65	323 lm/m
			9.6 W/m	20	672 lm/m
LS28120	24V	120D/m	4.8 W/m	20	336 lm/m
			9.6 W/m	65	323 lm/m
			9.6 W/m	20	672 lm/m
LS5060	24V	60D/m	14.4 W/m	20	1026 lm/m
			14.4 W/m	65	1008 lm/m

Test standards:
3000K, CRI 90, tolerance range of electrical and optical parameters: ±10%.

Mounting dimension



ACCESSORIES





SAN LUCES
TALOR

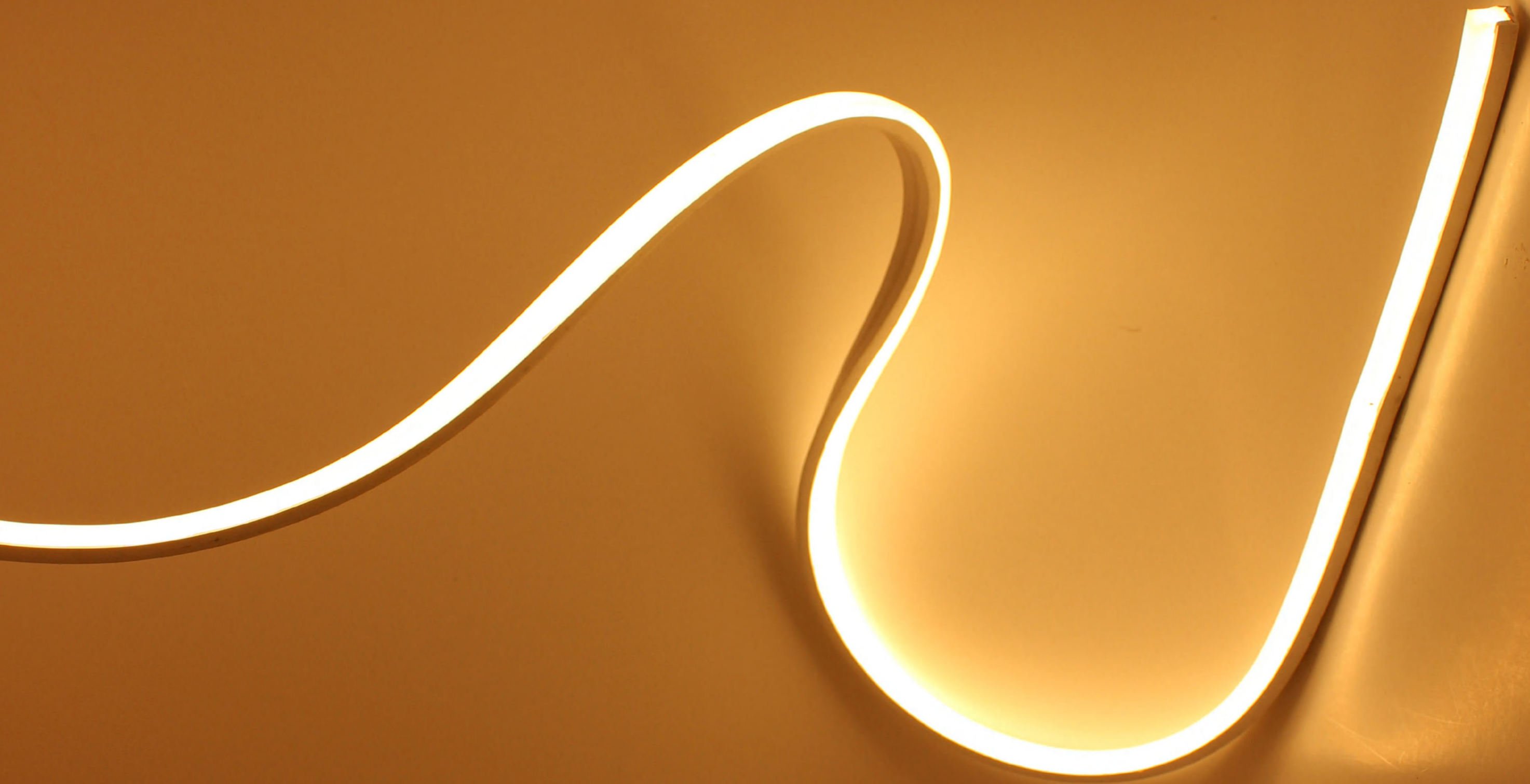
1721
KORFENVA

ALEXANDER MCQUEEN

DER MQUEEN

ALEXANDER MCQUEEN







Description

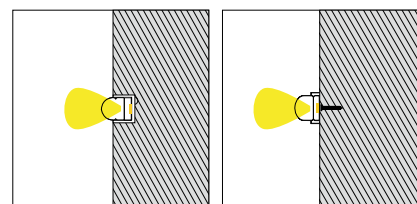
Plane shape luminous surface, beam angle 120 degrees.
Clear cutting mark, convenience for cutting and positioning.
Acid, alkali, salt corrosion resistance, UV resistance.
Can be installed flexibly.
Small size, concealed installation.

Applications

Hotels, villas, wardrobes, wall-mounted, three-dimensional decoration lighting, outline lighting.

4W/M and 7W/M for lighting in middle and lower section of space;
10W/M and 12W/M for lighting in middle and upper section of space, ceiling groove.

Features

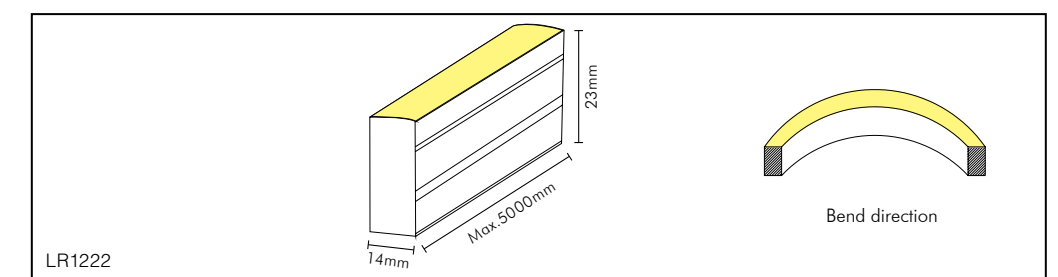
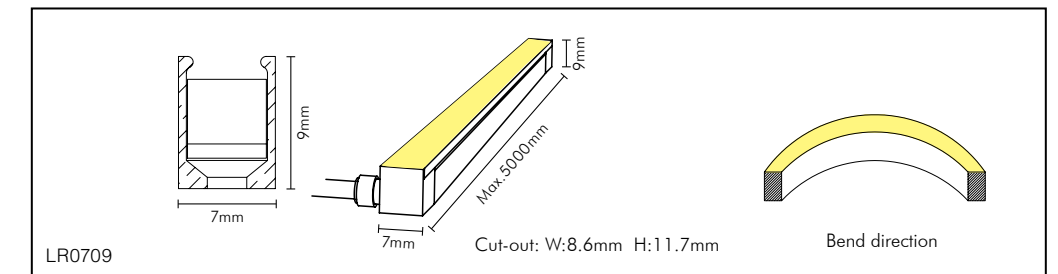
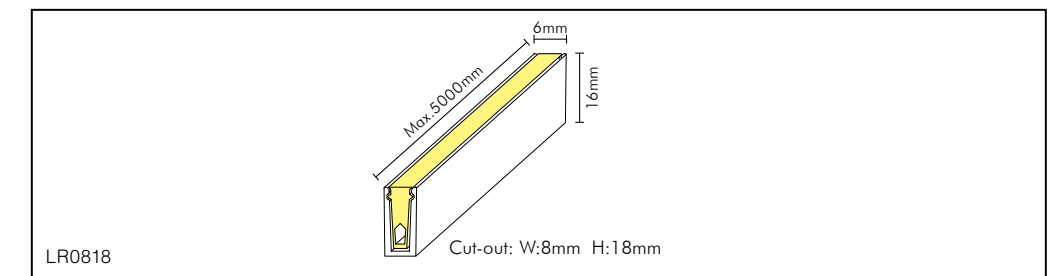


Parameters

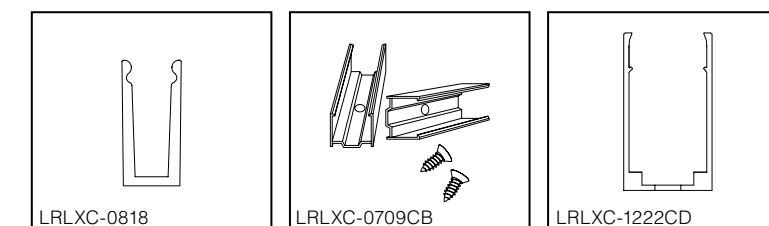
Model	DC INPUT	IP	TYPE	POWER	LUMINOUS FLUX
LR0818	24V	67	120D/m	4 W/m	140 lm/m
				7 W/m	245 lm/m
				10 W/m	350 lm/m
LR0709	24V	67	168D/m	4 W/m	140 lm/m
				7 W/m	245 lm/m
				10 W/m	350 lm/m
LR1222	24V	67	60D/m	4 W/m	140 lm/m
				7 W/m	245 lm/m
				12 W/m	420 lm/m

Test standards:
3000K, CRI 90, tolerance range of electrical and optical parameters: ±10%.

Mounting dimension

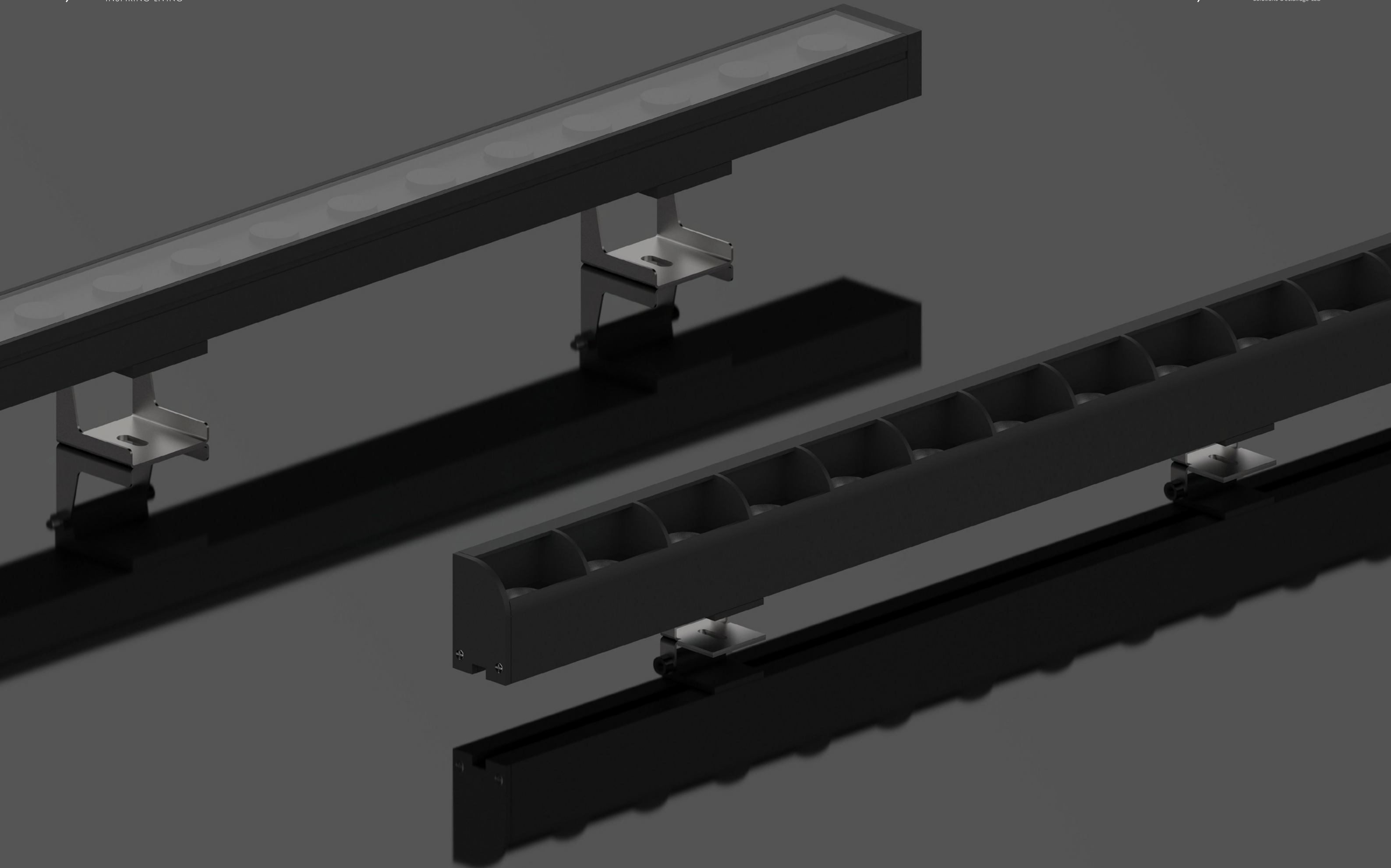


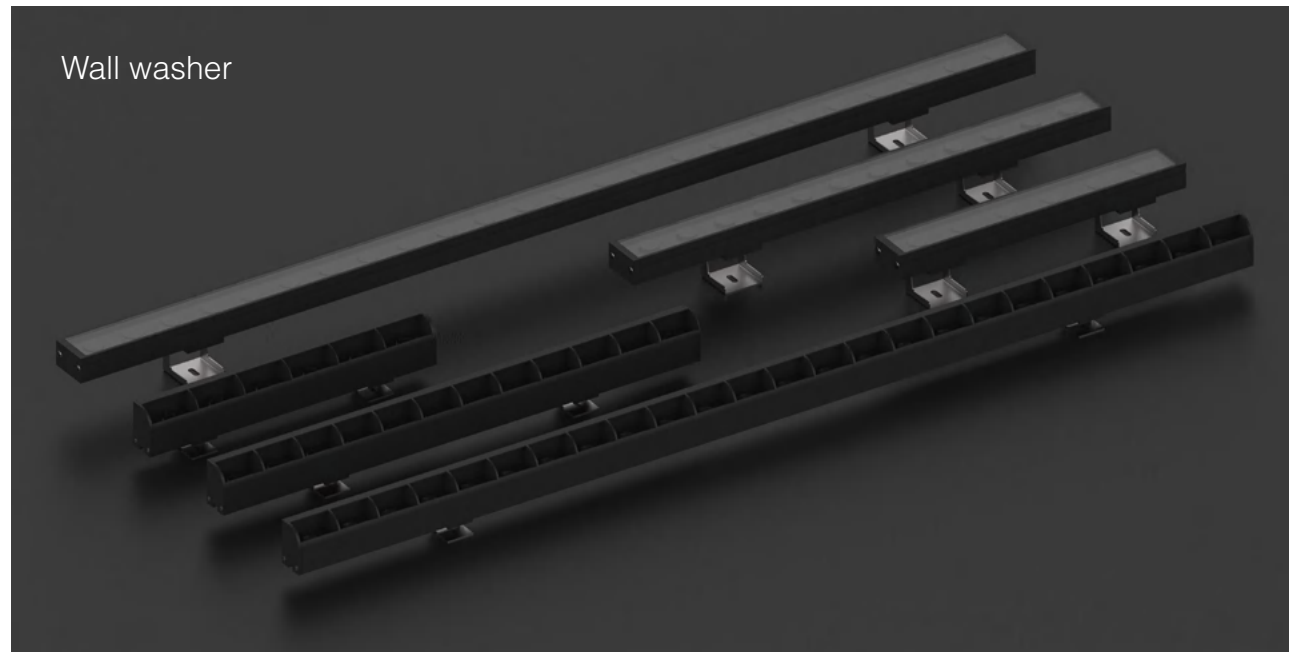
ACCESSORIES











Wall washer



Description

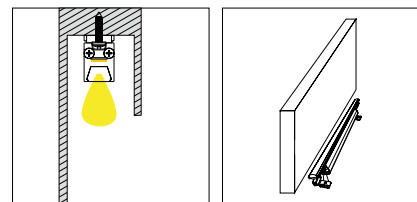
High-quality, high light efficiency chip.
Linear strip design, continuous splicing.
With asymmetric anti-glare effect.
Professional wall washing lens, uniform and soft light.

Applications

Hotels, villas, indoor wall washing, outdoor wall washing.

3M wall washing heights;
100mm ~ 150mm away from the wall to central luminous point.

Features

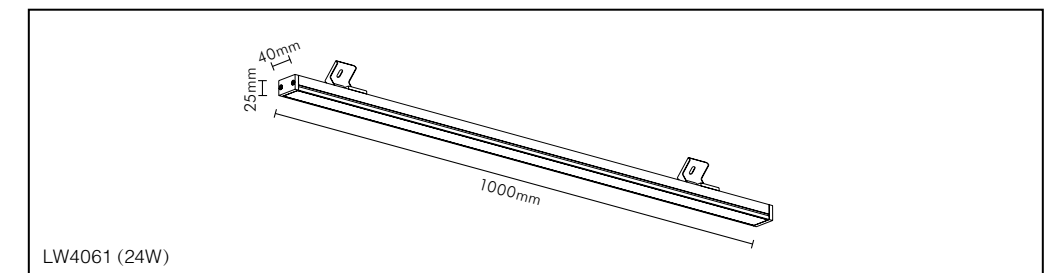
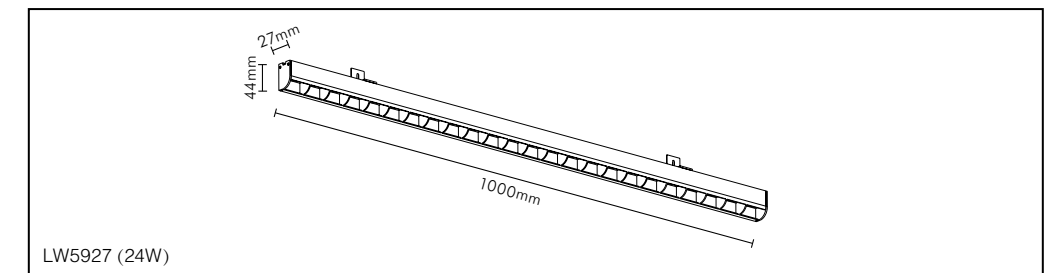
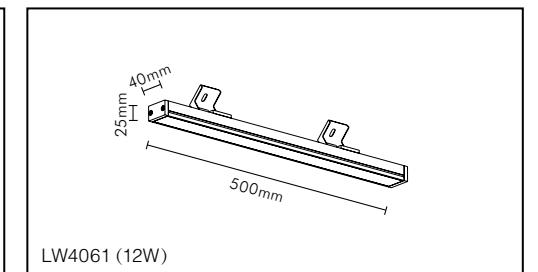
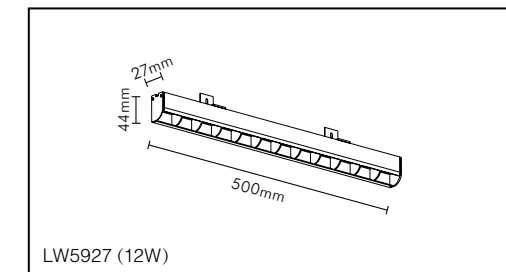
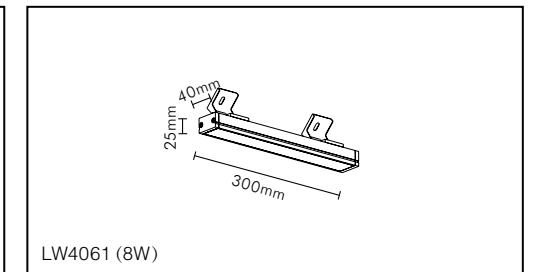
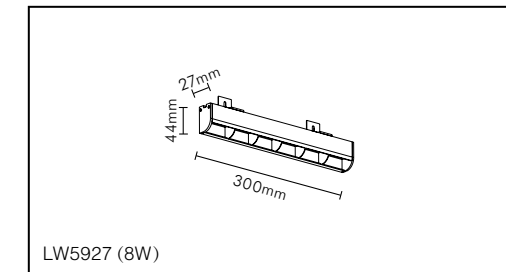


Parameters

Model	DC INPUT	IP	BEAM ANGLE	POWER	LUMINOUS FLUX
LW5927	24V	20	20° / 40° / 18x48°	8 W	640 lm
				12 W	960 lm
				24 W	1920 lm
LW4061	24V	65	25° / 45° / 10x60°	8 W	640 lm
				12 W	960 lm
				24 W	1920 lm

Test standards:
3000K, CRI 90, tolerance range of electrical and optical parameters: ±10%.

Mounting dimension



Customized Solutions

We not only have world-class lighting products, but also take into account the various needs of our customers and can meet the special customization of our customers. We have a dedicated custom design team that can provide complete product design and manufacturing services based on the customer's lighting requirements.



FASUAL

Solutions d'éclairage LED

Siège Social - SHOWROOM TROCADERO

21 rue de Longchamp - 75116 Paris
Tél. +33 1 74 25 15 76

SHOWROOM AEROPORT DE PARIS

Zone Cargo 6 - 3417 E et F
4, rue de la jeune Fille
95703 Roissy Charles de Gaulle
Tél. +33 1 74 25 15 72

FASUAL
Distribution Nord – Est

Philippe DEHAYE - Président Directeur Général
30, rue de l'Europe
08190 Gomont
Tel : +33 3 24 72 88 77
Mob : +33 6 34 12 52 76
email : p.dehaye@fasual.fr

FASUAL
Distribution Sud – Ouest

Thierry GUILLERMIN – Président Directeur Général
560 bis, route de Muret
31600 Eaunes
Mob : +33 6 68 09 24 33
email : t.guillermin@fasual.fr

FASUAL
Distribution Espagne

Jacques GIMENEZ – Directeur Général
Avenida Palacios 28
28210 Valdemorillo (Madrid)
Mob : +34 673 226 531
email : j.gimenez@fasual.es